



PERMANENT MAGNET

1CPM SERIES, SINGLE PHASE, P.F.=1.0

4.5kW - 12.0kW, 4 POLE, 60Hz, 1800RPM

3.8kW - 10.0kW, 4 POLE, 50Hz, 1500RPM



- VERY SHORT LENGTH FOR LIMITED SPACE APPLICATION
- NO INVERTER, NO AVR, NO RECTIFIER ASSEMBLY
- EXCELLENT EFFICIENCY, OVER 90%
- VERY GOOD SINE WAVE, THD < 3%
- CONTINUOUS DUTY RATINGS - FOR MARINE, MOBILE VEHICLE, RV, AND OTHER SPECIALIZED APPLICATIONS
- ROBUST WELDED STEEL HOUSING
- CAST IRON BEARING COVER ON LARGER SIZES
- OVERSIZED BEARING PRE-LUBRICATED FOR LIFE
- INSULATION CLASS H, VACUUM IMPREGNATED AND TROPICALIZED
- UL 1446 - ELECTRICAL INSULATION SYSTEM
- DIRECT/CUSTOM COUPLING AVAILABLE



WWW.COLISEUMELECTRIC.COM



1CPM SERIES – SINGLE PHASE

SINGLE PHASE, PERMANENT MAGNET GENERATORS

RANGE (60Hz): 4.5kW – 16kW, 60Hz, 1800RPM, PF=1.0

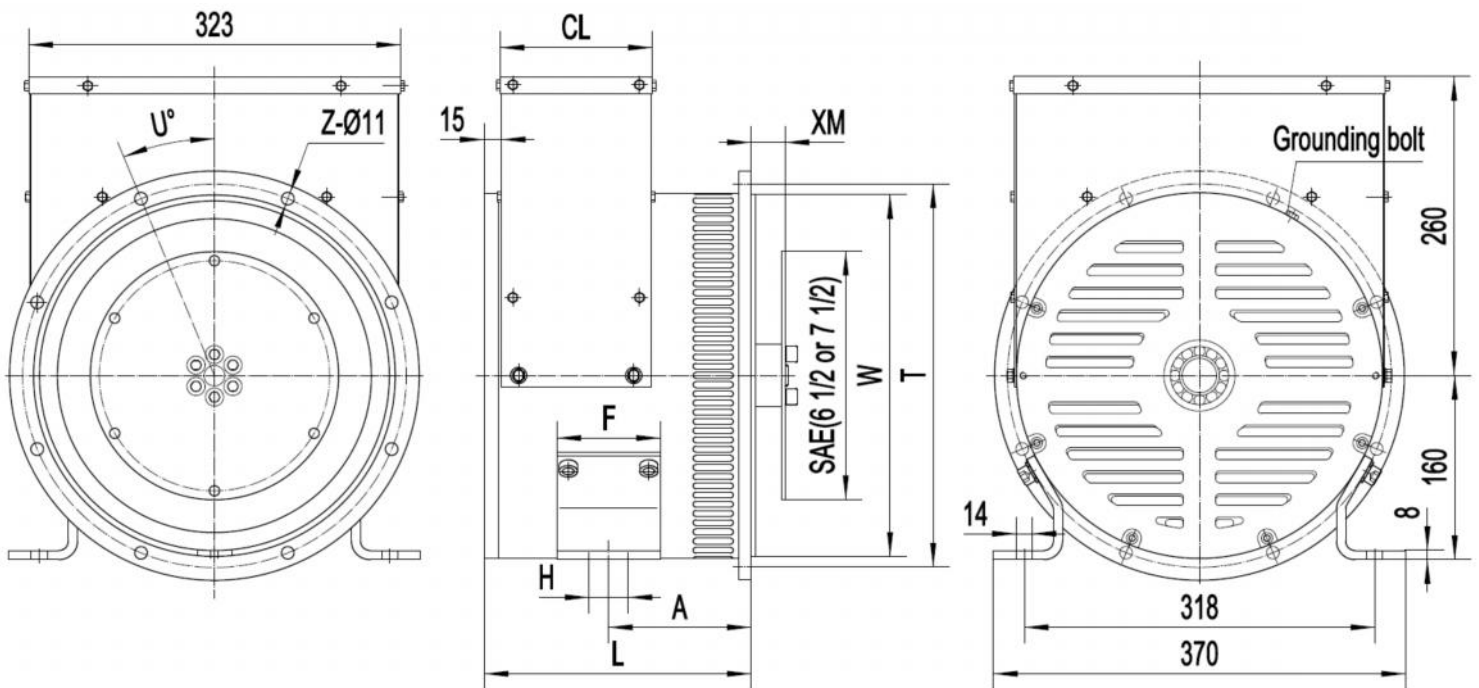
VOLTAGE (60Hz): 120/240V, 4 LEADS, DEDICATED

RANGE (50Hz): 3.8 kW – 13.5kW, 50Hz, 1500RPM, PF=1.0

VOLTAGE (50Hz): 115/230V, 4 LEADS, DEDICATED

TEMP. RISE: 105°C AT 50°C AMBIENT TEMP.

MODEL	1CPM4.5	1CPM06	1CPM08	1CPM10	1CPM12
POWER @ 60Hz (kW)	4.5	6	8	10	12
POWER @ 50Hz (kW)	3.8	5	6.5	8	10
Length (L)	5.1" (130mm)	5.7" (145mm)	6.5" (165mm)	8.3" (210mm)	9.1" (232mm)



TYPE	FLANGE	Z-HOLES	U	L (mm/inches)	A (mm/inches)	Xm (mm/inches)	W (mm/inches)	T (mm/inches)	CL (mm/inches)
1CPM4.5	SAE 5	8	22.5°	130/5.1	88/3.46	15/0.60	314/12.36	333/13.11	95/3.74
1CPM06	SAE 5	8	22.5°	145/5.7	88/3.46	15/0.60	314/12.36	333/13.11	95/3.74
1CPM08	SAE 5	8	22.5°	165/6.5	88/3.46	15/0.60	314/12.36	333/13.11	132/5.2
1CPM10	SAE 5	8	22.5°	210/8.3	88/3.46	15/0.60 30/1.18	314/12.36	333/13.11	132/5.2
	SAE 4	12	15°	210/8.3	88/3.46	30/1.18	362/14.25	381/15	132/5.2
1CPM12	SAE 5	8	22.5°	232/9.1	124/4.88	15/0.60 30/1.18	314/12.36	333/13.11	132/5.2
	SAE 4	12	15°	232/9.1	124/4.88	30/1.18	362/14.25	381/15	132/5.2

The company reserves the right to change specifications without prior notice.

COLISEUM ELECTRIC CORPORATION
4087 HEARTHSTONE DRIVE
SARASOTA, FL 34238 USA

sales@coliseumelectric.com
phone: (941) 966-9370
fax: (941) 296-7433

WWW.COLISEUMELECTRIC.COM