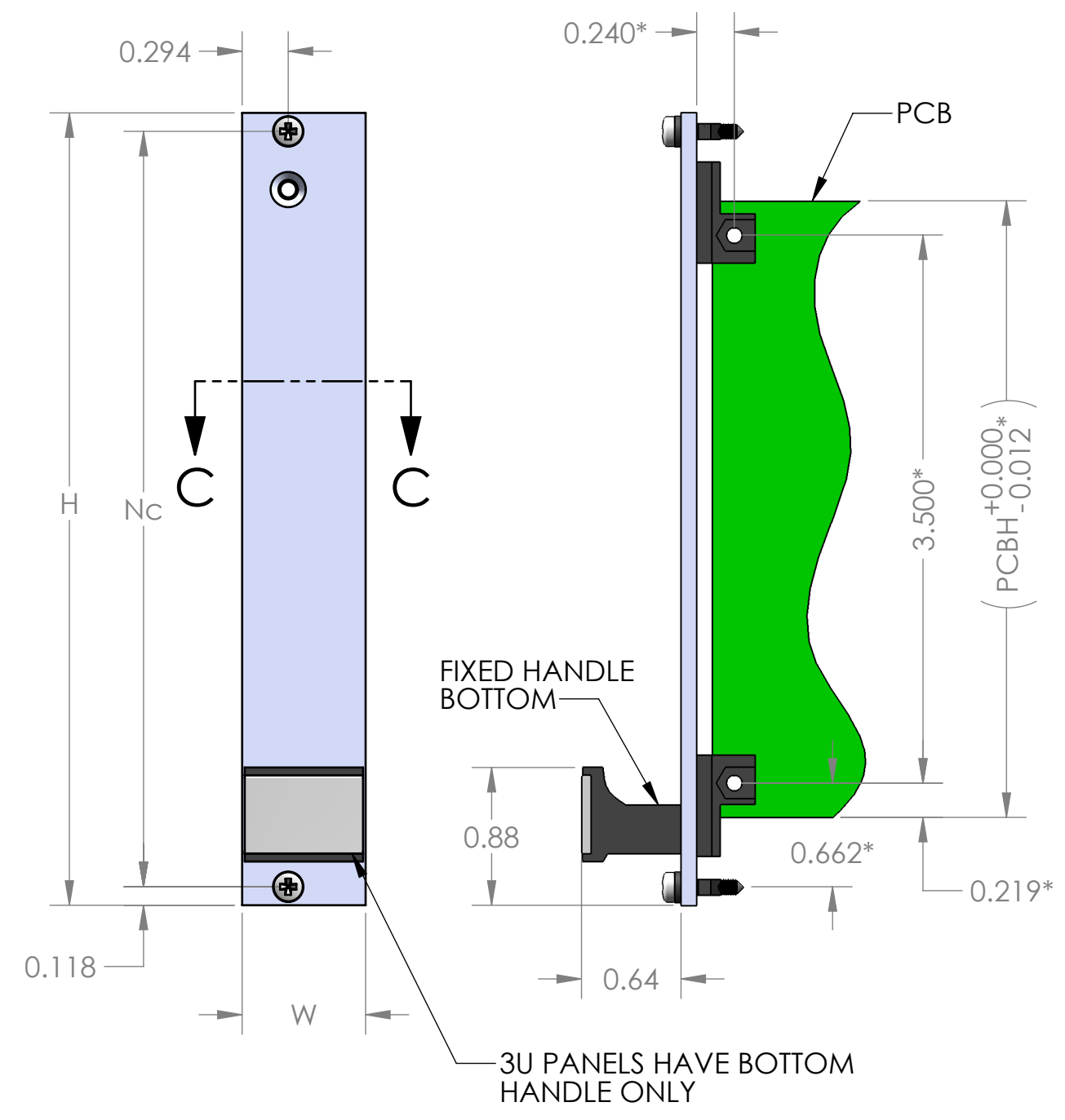


PROPRIETARY AND CONFIDENTIAL
 THE INFORMATION CONTAINED IN THIS DRAWING IS THE SOLE PROPERTY OF VECTOR ELECTRONICS & TECHNOLOGY, INC. ANY REPRODUCTION IN PART OR AS A WHOLE WITHOUT THE WRITTEN PERMISSION OF VECTOR ELECTRONICS & TECHNOLOGY, INC. IS PROHIBITED.

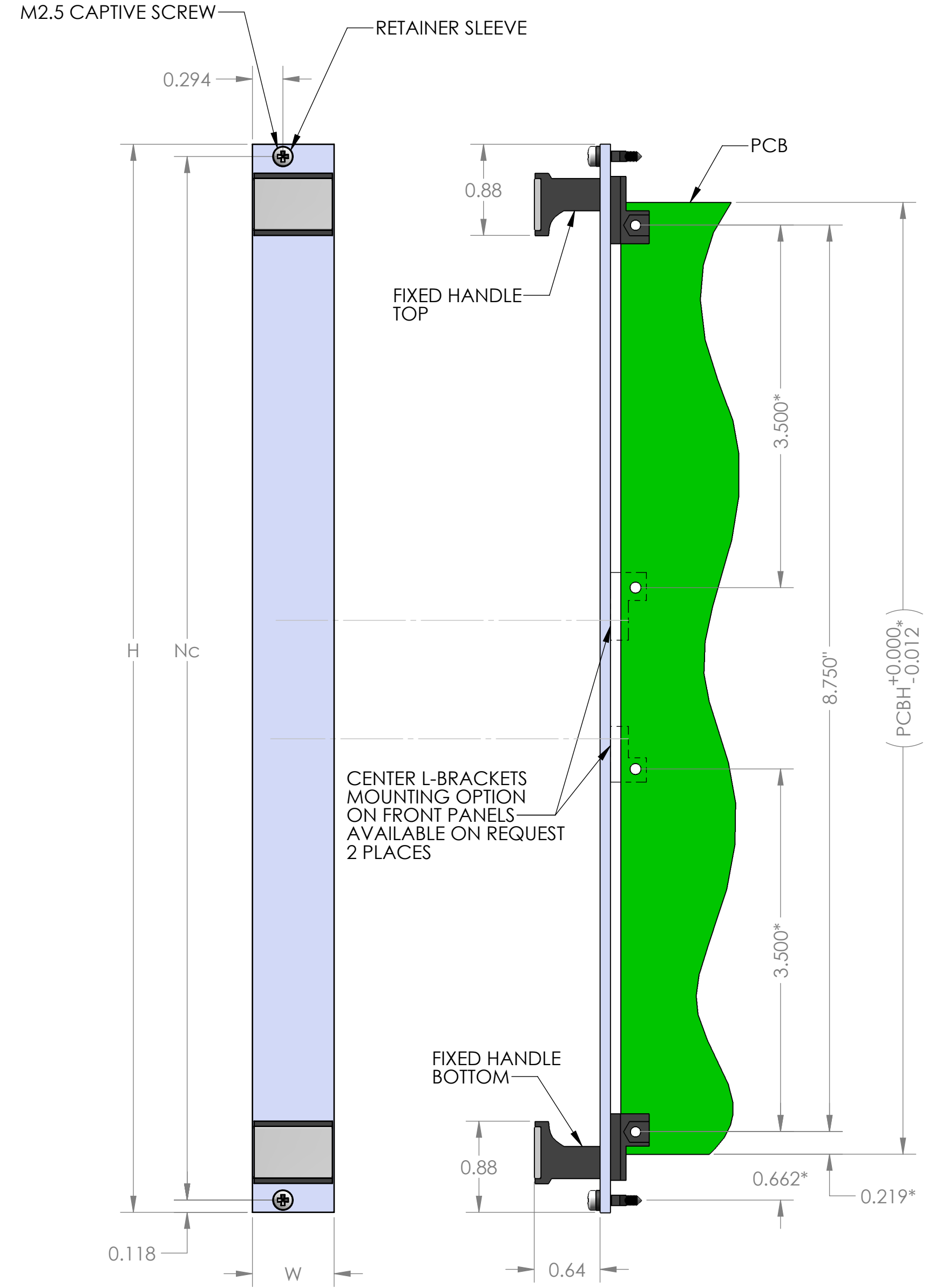
REVISIONS				
ZONE	REV	DESCRIPTION	DATE	APPROVED
ALL	A	INITIAL RELEASE	02/14/12	

PART NO TABULATION

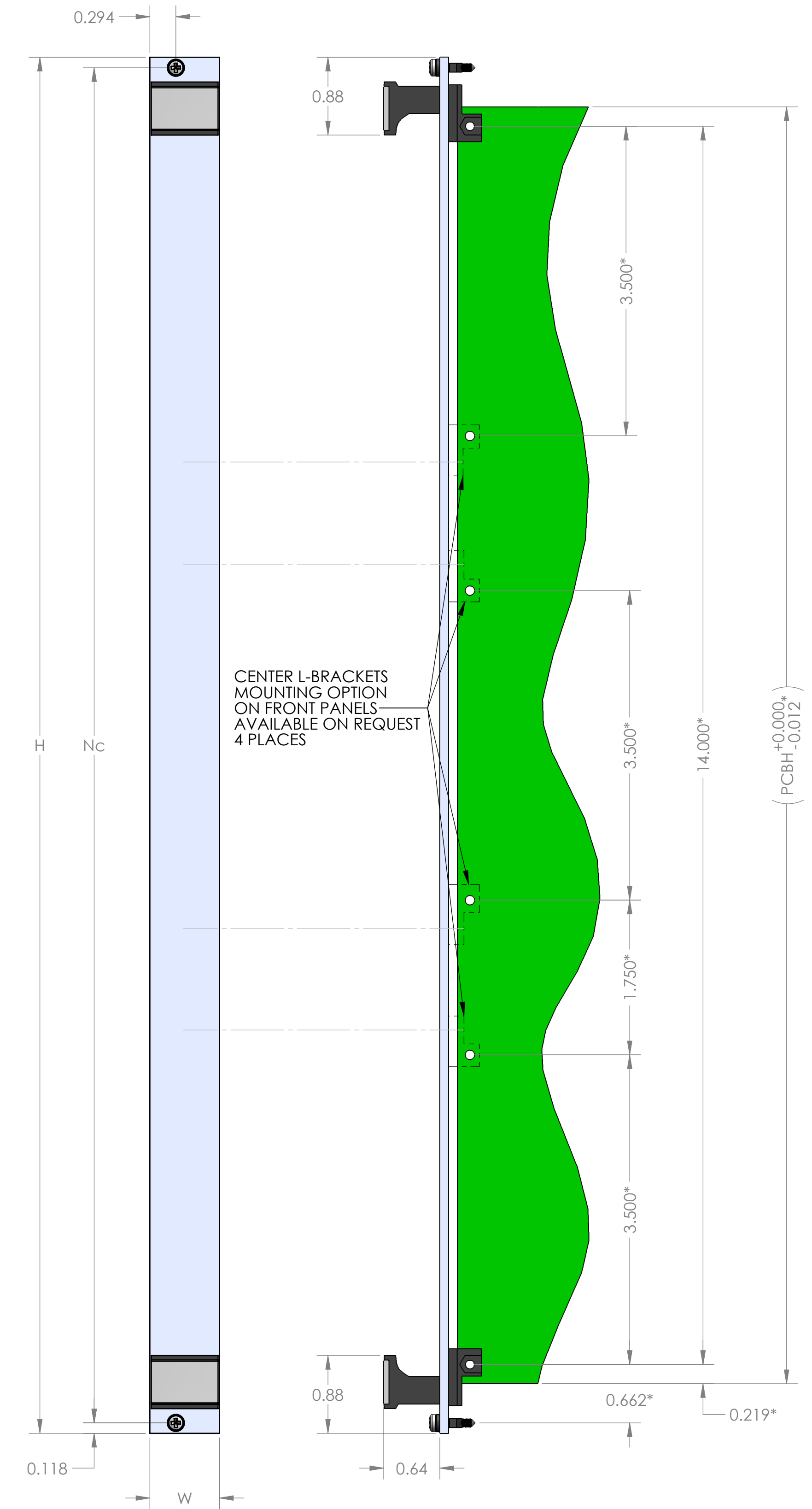
PART NO	DESCRIPTION	H	W	Nc	PCBH
FP04-3U	3U X 4HP	5.059	0.788	4.823	3.937
FP08-3U	3U X 8HP		1.588		
FP12-3U	3U X 12HP		2.388		
FP04-6U	6U X 4HP	10.309	0.788	10.073	9.187
FP08-6U	6U X 8HP		1.588		
FP12-6U	6U X 12HP		2.388		
FP04-9U	9U X 4HP	15.559	0.788	15.323	14.437
FP08-9U	9U X 8HP		1.588		
FP12-9U	9U X 12HP		2.388		



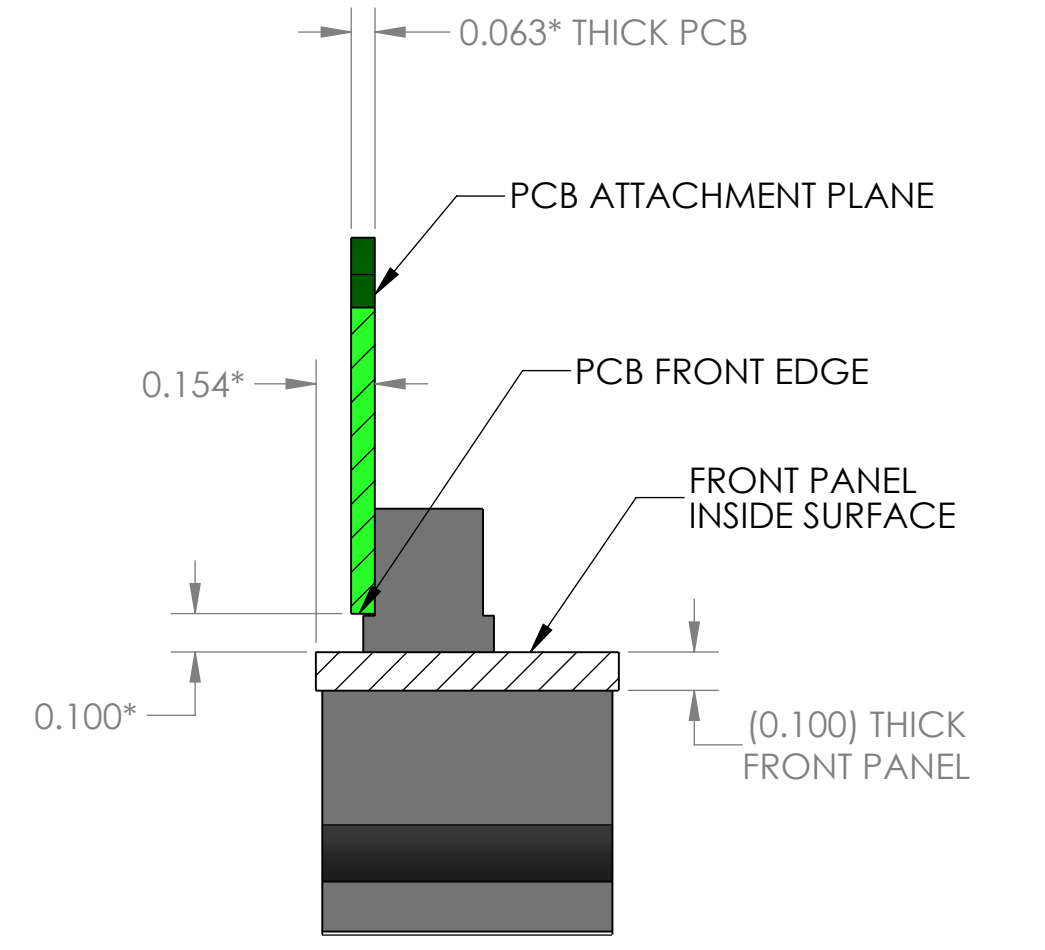
3U HIGH PANEL



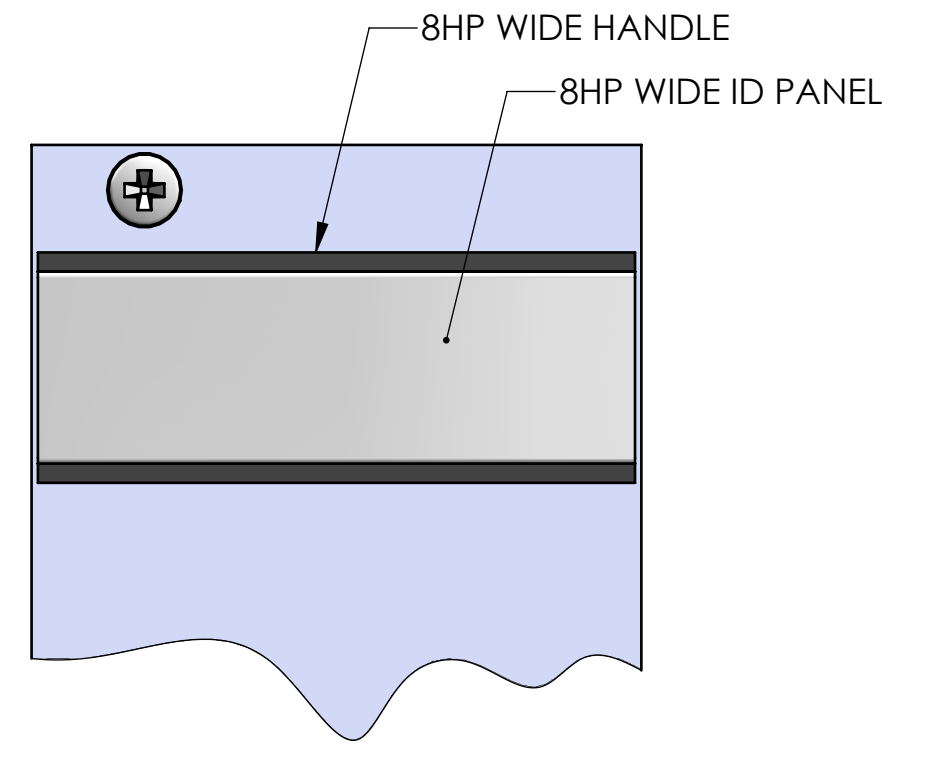
6U HIGH PANEL



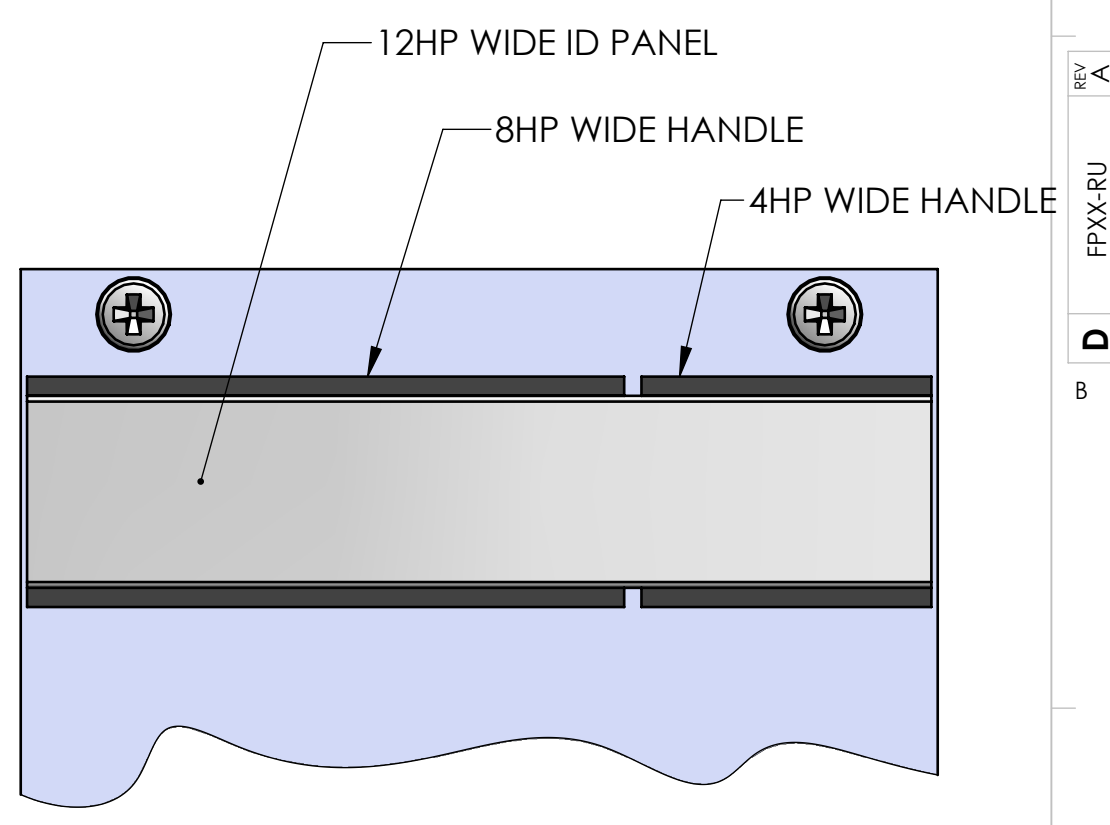
9U HIGH PANEL



**SECTION C-C
 SCALE 2 : 1
 FOR 3U, 6U, AND 9U HIGH,
 4HP, 8HP, AND 12HP PANELS**



8HP WIDE PANEL DETAIL



12HP WIDE PANEL DETAIL

- 5. FURNISHED UNASSEMBLED
 - 4. EACH FRONT PANEL KIT INCLUDES FRONT PANEL, FIXED HANDLES AND PCB ATTACHMENT HARDWARE
 - 3. * INDICATES DIMENSIONS PER IEEE 1101.1
 - 2. PCB SHOWN FOR REFERENCE ONLY. NOT PART OF FRONT PANEL KIT
 - 1. FRONT PANELS ARE SHOWN ASSEMBLED WITH TYPE II EJECTOR HANDLES
- NOTES: UNLESS OTHERWISE SPECIFIED

UNLESS OTHERWISE SPECIFIED: DIMENSIONS ARE IN INCHES		NAME		DATE	 81115 VANOWEN ST., NORTH HOLLYWOOD, CA 91368 www.vectorred.com
TOLERANCES:		DRAWN	TRUSHAR	02/14/12	
DEC. X.X	±0.1	CHECKED			FRONT PANEL, 1101.1 FIXED HANDLE, TYPE V, NON EMC
DEC. X.XX	±0.03	ENG APPR.			
DEC. X.XXX	±0.010	MFG APPR.			
FRACTIONS	±0.000	Q.A.			
ANGLES	±1°	COMMENTS:			
THIRD ANGLE PROJECTION					
MATERIAL					
FINISH					

SIZE DWG. NO. REV
D FPXX-RU **A**

SCALE: 1:1 CAGE CODE: 82893 SHEET 1 OF 1