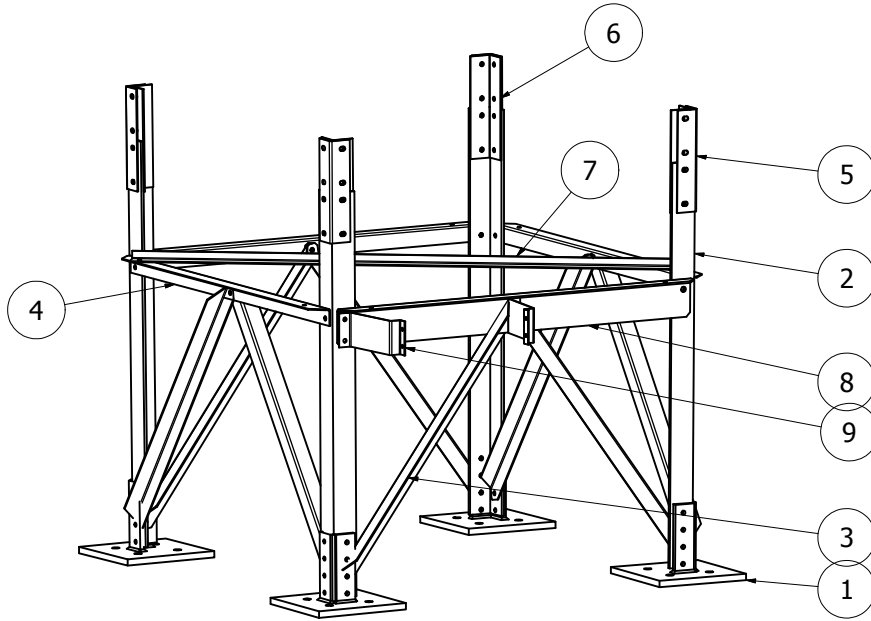


44404 1/4 base section



Parts List			
ITEM	QTY	PART NUMBER	STOCK NUMBER
1	4	66-B001 Anchor assy	
2	4	64-L004 Base leg 1/4	
3	8	64-D001 short base diag	39.25 x 2 x 2 x 8 ga L
4	3	64-C001 Cross angle	47 x 2 x 2 x 8 ga L
8	1	64-LC002 Ladder Cross bar	46.75 x 4.5 x 2 x 8 ga L
5	4	SS2008 Siderail Splice	12 x 2.5 x 2.5 x 8 ga L
6	8	SS018 Siderail splice 8 ga	12 x 2 x 8 ga
7	1	64-T001 tie brace	65.5 x 2 x 1 x 8 ga L
9	2	64-LB003 Ladder Bracket	9 x 1.5 x 12 ga LB
10	65	7/16 x 1 1/2 cap screw	
11	65	7/16 whiz nut	
12	4	5/16 x 3/4 cap screw	
13	4	5/16 Whiz nut	

DRAWN Rex A Greene 4/2/2007		Greene Welding and Hardware Inc.	
		Greene Galvanized Stairs	
		TITLE 217/375/4244 www.greenebinstairs.com	
MFG			
APPROVED			
SIZE C	DWG NO 44404 1/4" base	REV	
		SHEET OF 1	