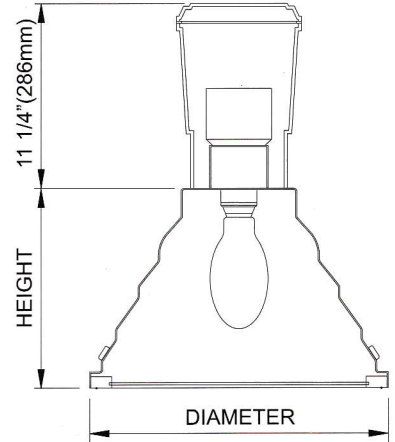


# AMCO ALUMINUM HIGH BAY REFLECTOR

MODEL NO.	DIAMETER	HEIGHT	WATTAGE
<b>C94-A</b>	14 $\frac{1}{2}$ "(368mm)	9 $\frac{1}{2}$ "(241mm)	70-250W
<b>C95-A</b>	19"(482mm)	12 $\frac{1}{4}$ "(311mm)	250-500W
<b>C96-A</b>	23"(584mm)	15"(381mm)	500-1000W

CAST ALUMINUM

← **CEILING TYPE**

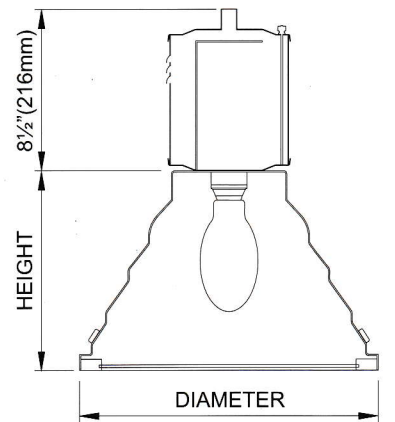


← **HANGING TYPE**

MODEL NO.	DIAMETER	HEIGHT	WATTAGE
<b>C94-HA</b>	14 $\frac{1}{2}$ "(368mm)	9 $\frac{1}{2}$ "(241mm)	70-250W
<b>C95-HA</b>	19"(482mm)	12 $\frac{1}{4}$ "(311mm)	250-500W
<b>C96-HA</b>	23"(584mm)	15"(381mm)	500-1000W

MODEL NO.	DIAMETER	HEIGHT	WATTAGE
<b>C-94</b>	14 $\frac{1}{2}$ "(368mm)	9 $\frac{1}{2}$ "(241mm)	70-250W
<b>C-95</b>	19"(482mm)	12 $\frac{1}{4}$ "(311mm)	250-500W
<b>C-96</b>	23"(584mm)	15"(381mm)	500-1000W

← **CEILING TYPE**



← **HANGING TYPE**

MODEL NO.	DIAMETER	HEIGHT	WATTAGE
<b>C94-H</b>	14 $\frac{1}{2}$ "(368mm)	9 $\frac{1}{2}$ "(241mm)	70-250W
<b>C95-H</b>	19"(482mm)	12 $\frac{1}{4}$ "(311mm)	250-500W
<b>C96-H</b>	23"(584mm)	15"(381mm)	500-1000W