

**Specifications**

Frequency range: DC-11GHz

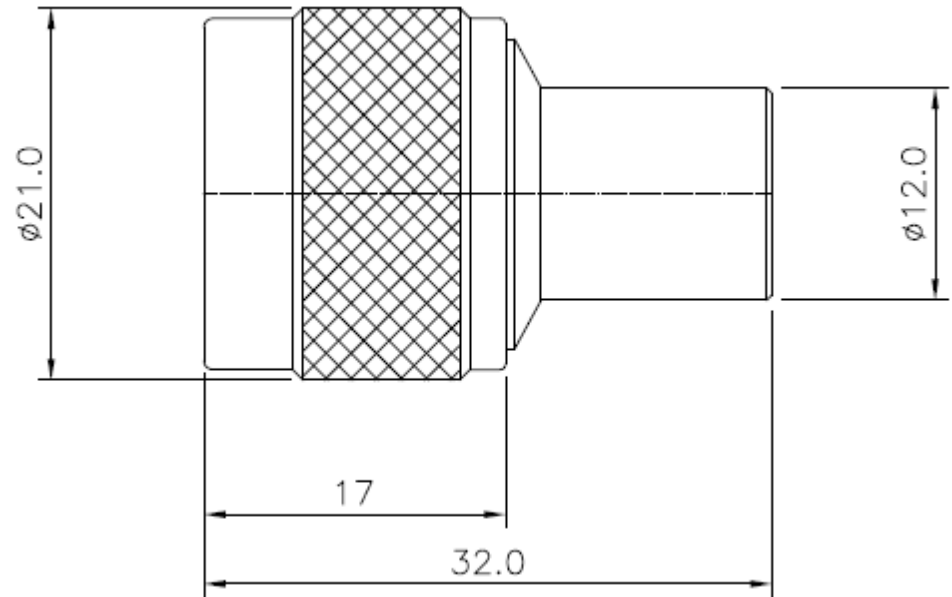
Nominal Impedance: 50 Ohm

Power: 2 watt

VSWR: 1.25:1 max. @ 11 GHz

Oper. Temperature range : -55C- +155C

**RoHS Compliant**



**Adapter Part**

**Material**

**Plating**

Coupling Cap

Brass

Nickel

Body

Brass

Nickel

Center contact

Brass

Gold



**Premier RF**

17 Roslyn CT  
Patchogue, NY 11772  
PH: 631-447-3804  
sales@premierRF.com  
www.premierRF.com

Dimensions in mm	<b>PART NUMBER</b>	<b>PRF-TE2M211-BN</b>
11/04/2012	<b>DESCRIPTION</b>	<b>N MALE TERMINATION DC-11 GHz, 2 WATT</b>
APPROVED		
C. Smith		