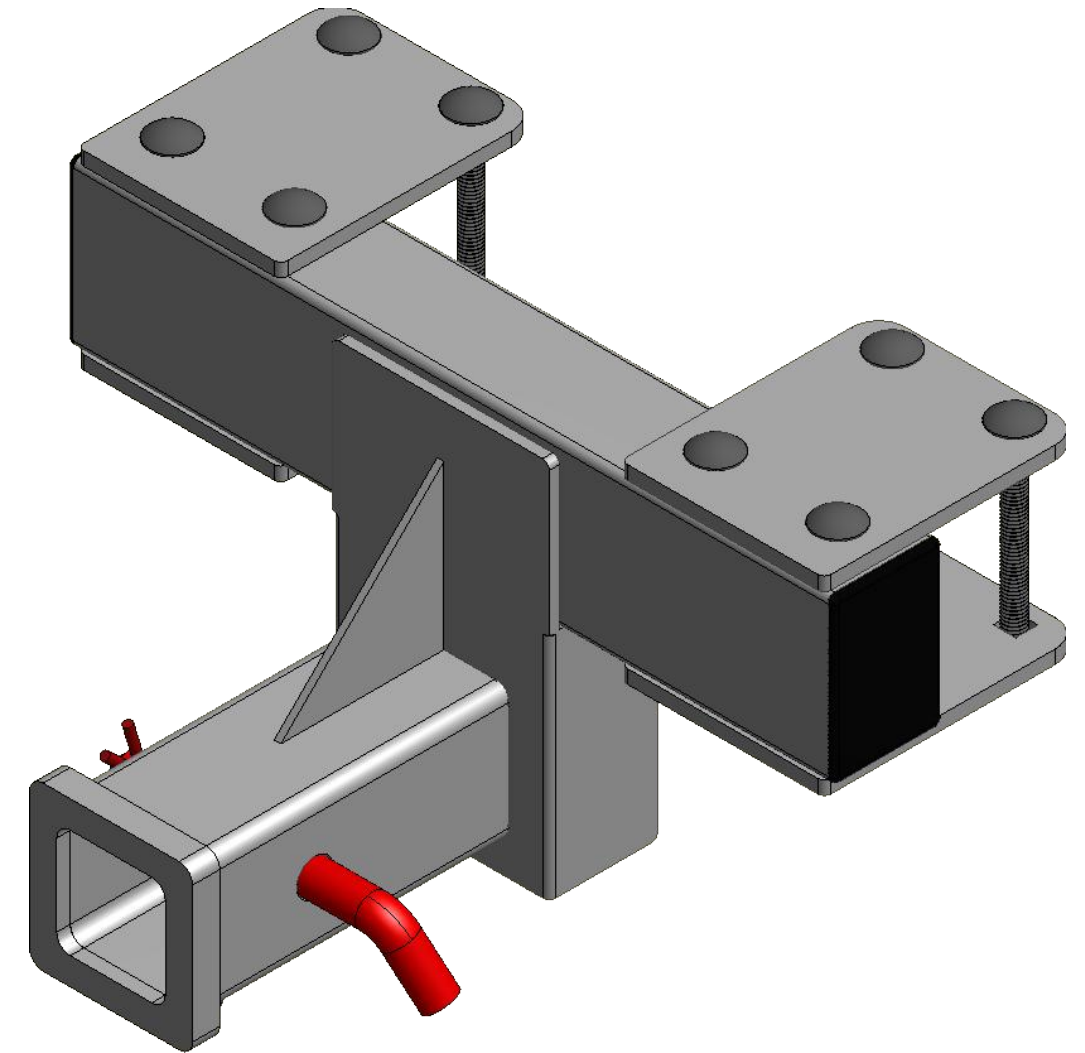
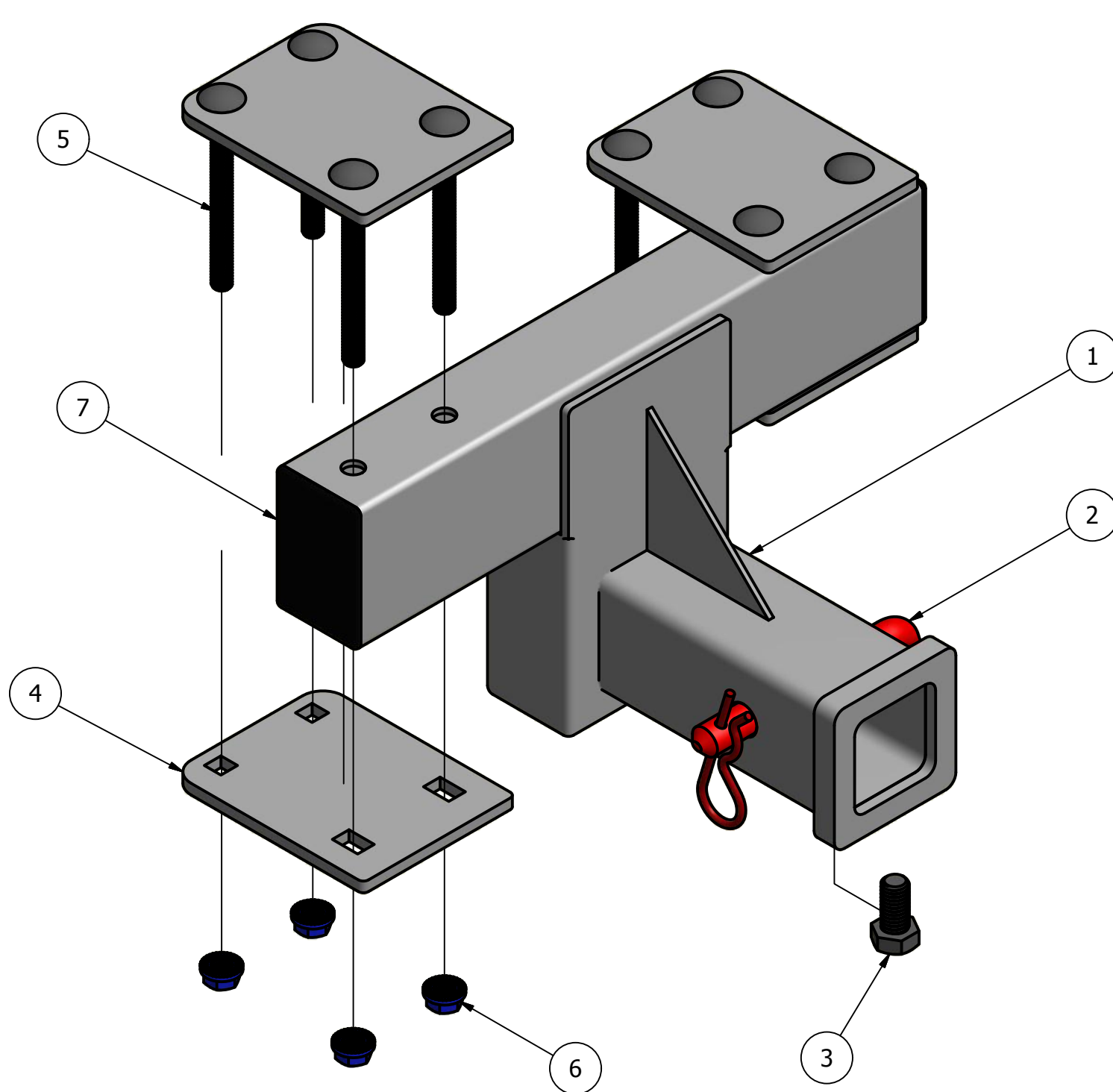




DTH-WRI-ZXT Hitch

Part Number: DTH-WRI-ZXT (Fits Wright Stander ZXT Series)



Parts List			
ITEM	QTY	PART NUMBER	DESCRIPTION
1	1	DTH-WRI-ZXT	DTH-WRI-ZXT Hitch
2	1	69860002	5/8 Hitch Pin w/ Cotter Pin
3	1	69715100	1/2-13 X 1" Hex Bolt
4	4	20210029	Mounting Plate
5	8	69860007.4	3/8-16 X 4.0" LG Square Neck Carriage Bolt
6	8	69730014	3/8-16 Flanged Nut
7	2	20210030	2" X 3" Rect. Tube End Cap

REVISION HISTORY	
REV	DATE
A	04/02/2021