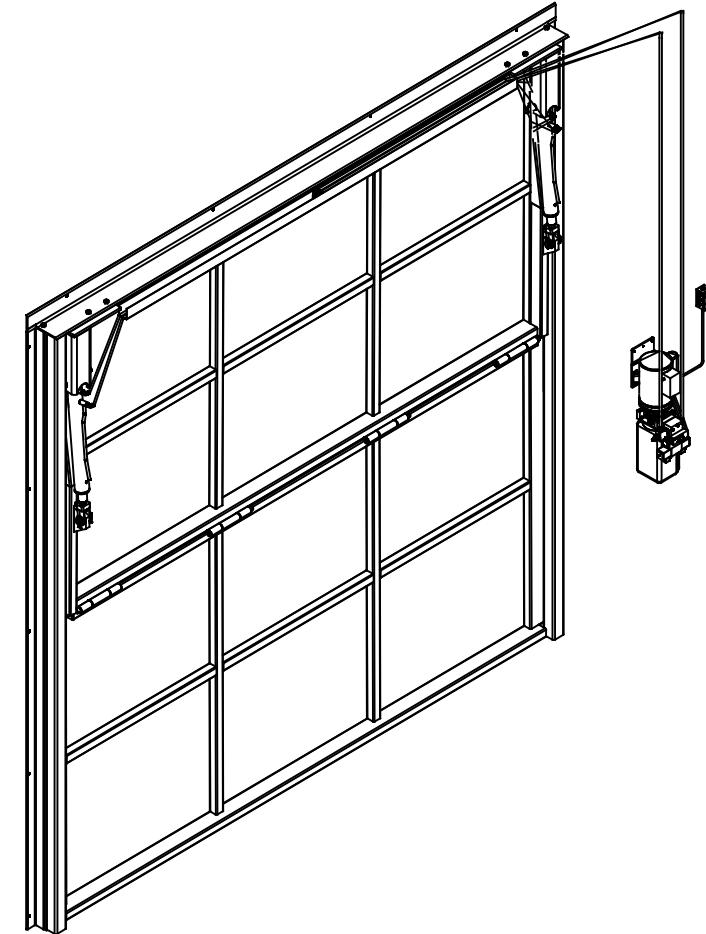


CROWN

INCORPORATED

135 MCLEOD AVENUE, SOUTH
PLATO, MN 55370
(320) 238-2616
INFO@CROWNDOORS.COM



SST-II HYDRAULIC SYSTEM

PROPRIETARY AND CONFIDENTIAL

THE INFORMATION CONTAINED WITHIN THIS DRAWING SET IS THE SOLE PROPERTY OF CROWN INDUSTRIES, INC. ANY REPRODUCTION - IN PART, OR AS A WHOLE - WITHOUT THE EXPRESSED, WRITTEN CONSENT OF CROWN INDUSTRIES, INC. IS PROHIBITED

IMPORTANT NOTICE:

ALL DIMENSIONS SHOWN ARE CRITICAL TO PROPER DOOR OPERATION. IF ANY CHANGES ARE MADE, CONTACT CROWN INDUSTRIES IMMEDIATELY. ANY CHANGES MAY INCUR ADDITIONAL CHARGES.

ALL PARTS NOT LISTED AS "BY OTHERS" TO BE PROVIDED BY CROWN INDUSTRIES, INC.

SAMPLE DRAWINGS

- THE FOLLOWING DETAILS REPRESENT TYPICAL CONDITIONS. DETAILS/DIMENSIONS WILL VARY BETWEEN INSTALLATIONS.
- SAMPLE DRAWINGS DO NOT REPRESENT ALL AVAILABLE OPTIONS - REFER TO QUOTATION.

GENERAL NOTES

- STRUCTURAL SUPPORT (JAMBS/HEADER) BY G.C.
- INSTALLER TO CAULK AROUND MOUNTING ANGLES
- MAXIMUM ALLOWABLE RISE OF FINISHED FLOOR IS 3/8"
- CROWN, INC. RESERVES THE RIGHT TO CHANGE/IMPROVE PRODUCTS WITHOUT PRIOR NOTICE
- THE INFORMATION CONTAINED WITHIN THIS DRAWING SET IS THE SOLE PROPERTY OF CROWN, INC. ANY REPRODUCTION - IN PART, OR AS A WHOLE - WITHOUT THE EXPRESSED, WRITTEN PERMISSION OF CROWN, INC. IS PROHIBITED
- CROWN, INC. WILL NOT BE HELD RESPONSIBLE FOR CODE VIOLATIONS

STEEL TUBE FRAME MEMBERS VARY IN SIZE DEPENDING ON ROUGH OPENING DIMENSIONS AND COVERING WEIGHT. LARGER OPENINGS/HEAVIER COVERINGS REQUIRE LARGER STEEL COMPONENTS

PROPRIETARY AND CONFIDENTIAL
 THE INFORMATION CONTAINED WITHIN THIS DRAWING SET IS THE SOLE PROPERTY OF CROWN INDUSTRIES, INC. ANY REPRODUCTION - IN PART, OR AS A WHOLE - WITHOUT THE EXPRESSED, WRITTEN CONSENT OF CROWN INDUSTRIES, INC. IS PROHIBITED

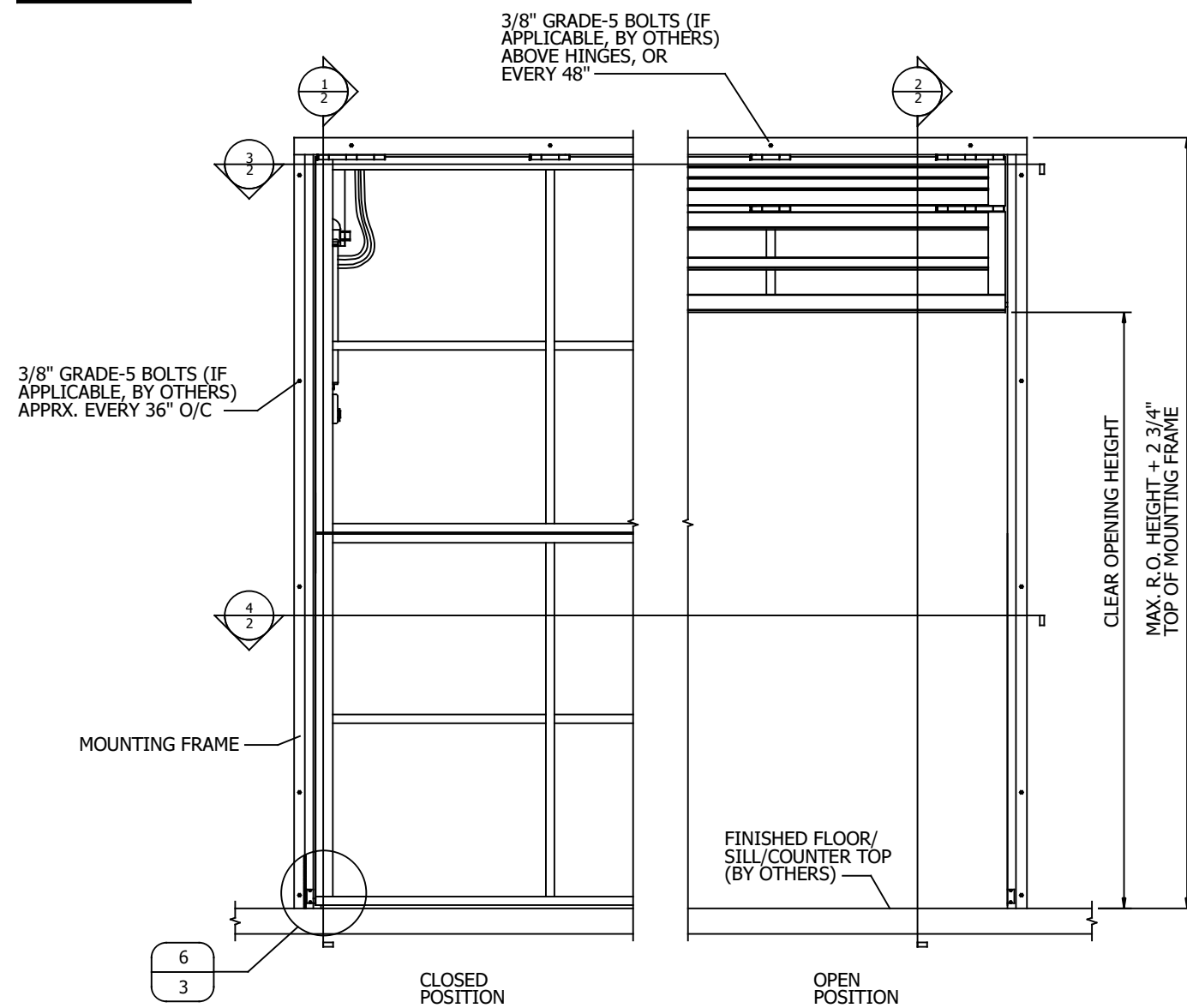


IMPORTANT NOTICE:
 ALL DIMENSIONS SHOWN ARE CRITICAL TO PROPER DOOR OPERATION. IF ANY CHANGES ARE MADE, CONTACT CROWN INDUSTRIES IMMEDIATELY. ANY CHANGES MAY INCUR ADDITIONAL CHARGES.

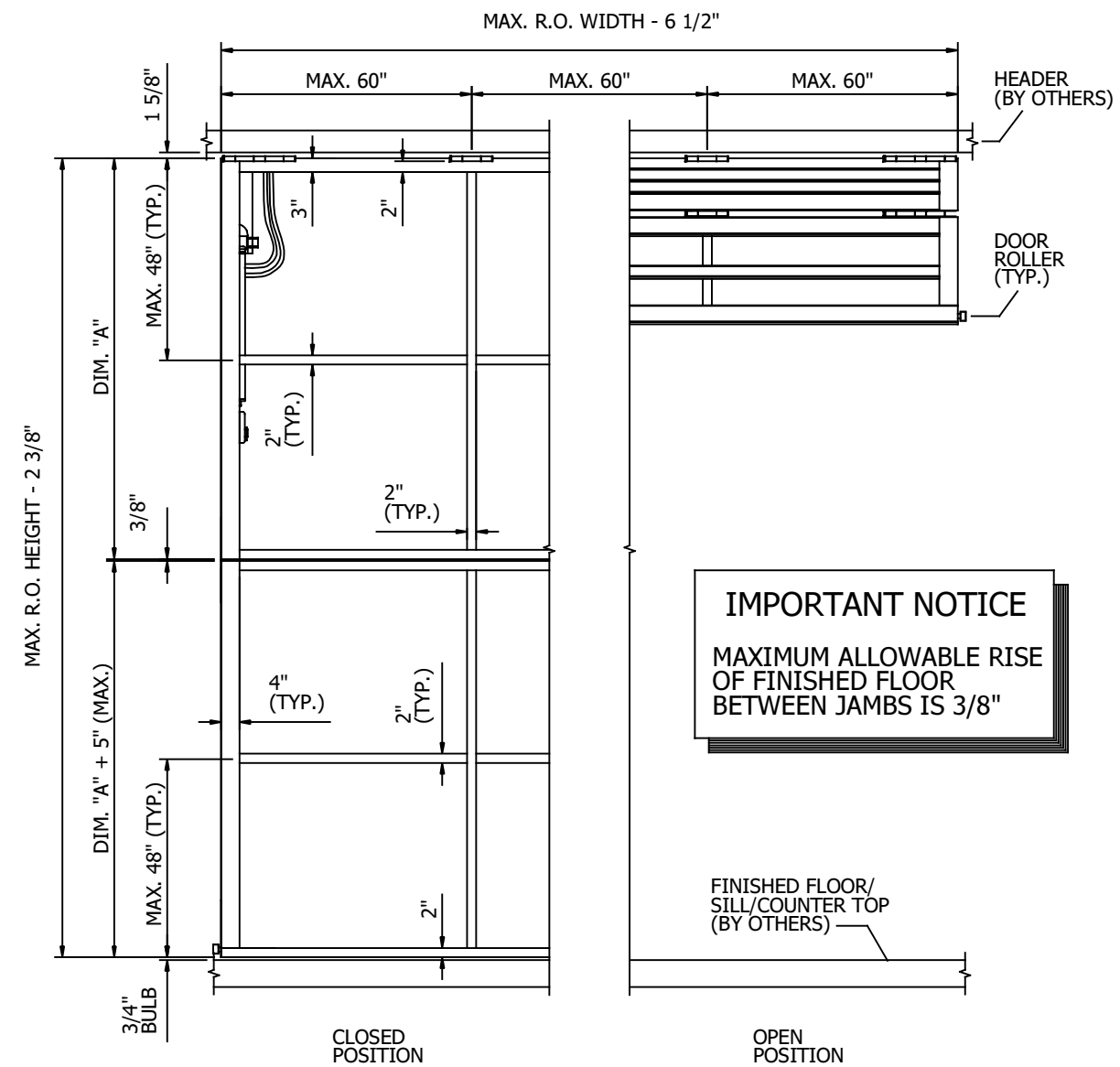
ALL PARTS NOT LISTED AS "BY OTHERS" TO BE PROVIDED BY CROWN INDUSTRIES, INC.

SAMPLE DRAWING

IMPORTANT NOTE:
 DO NOT PRE-DRILL ROUGH OPENING



1 DOOR PANEL w/FRAME - EXTERIOR VIEW
 NO SCALE



2 DOOR PANEL - EXTERIOR VIEW
 NO SCALE

IMPORTANT NOTICE
 MAXIMUM ALLOWABLE RISE OF FINISHED FLOOR BETWEEN JAMBS IS 3/8"

SST-II HYDRAULIC BI-FOLD SYSTEM
CROWN, INCORPORATED
 PLATO, MINNESOTA, 55370

MODEL: SST-II
 DRAWN: 12/2014

SHEET: 1.0

PROPRIETARY AND CONFIDENTIAL
 THE INFORMATION CONTAINED WITHIN THIS DRAWING SET IS THE SOLE PROPERTY OF CROWN INDUSTRIES, INC. ANY REPRODUCTION - IN PART, OR AS A WHOLE - WITHOUT THE EXPRESSED, WRITTEN CONSENT OF CROWN INDUSTRIES, INC. IS PROHIBITED



IMPORTANT NOTICE:
 ALL DIMENSIONS SHOWN ARE CRITICAL TO PROPER DOOR OPERATION. IF ANY CHANGES ARE MADE, CONTACT CROWN INDUSTRIES IMMEDIATELY. ANY CHANGES MAY INCUR ADDITIONAL CHARGES.

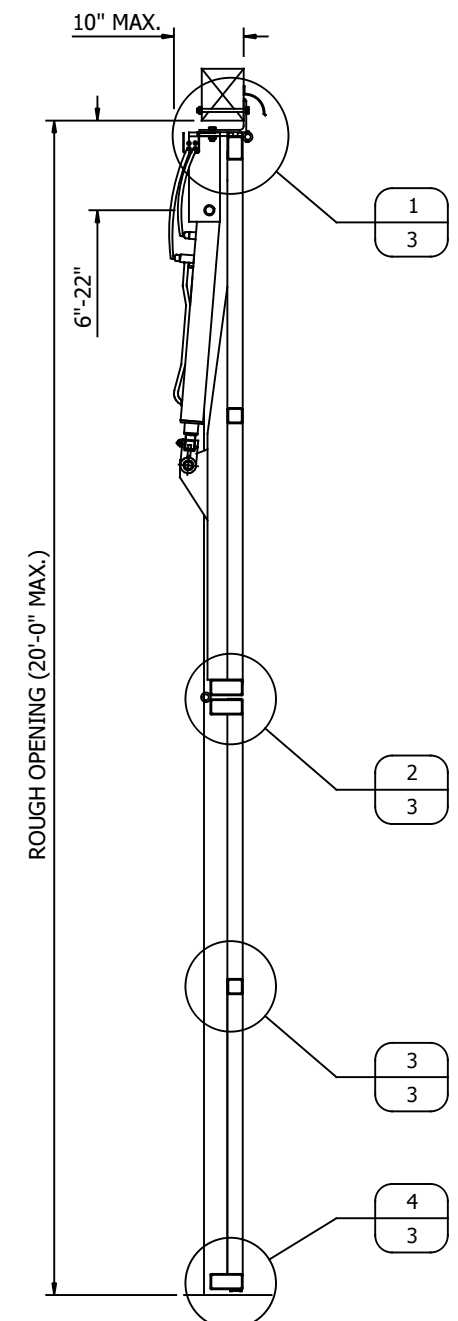
ALL PARTS NOT LISTED AS "BY OTHERS" TO BE PROVIDED BY CROWN INDUSTRIES, INC.

SAMPLE DRAWING

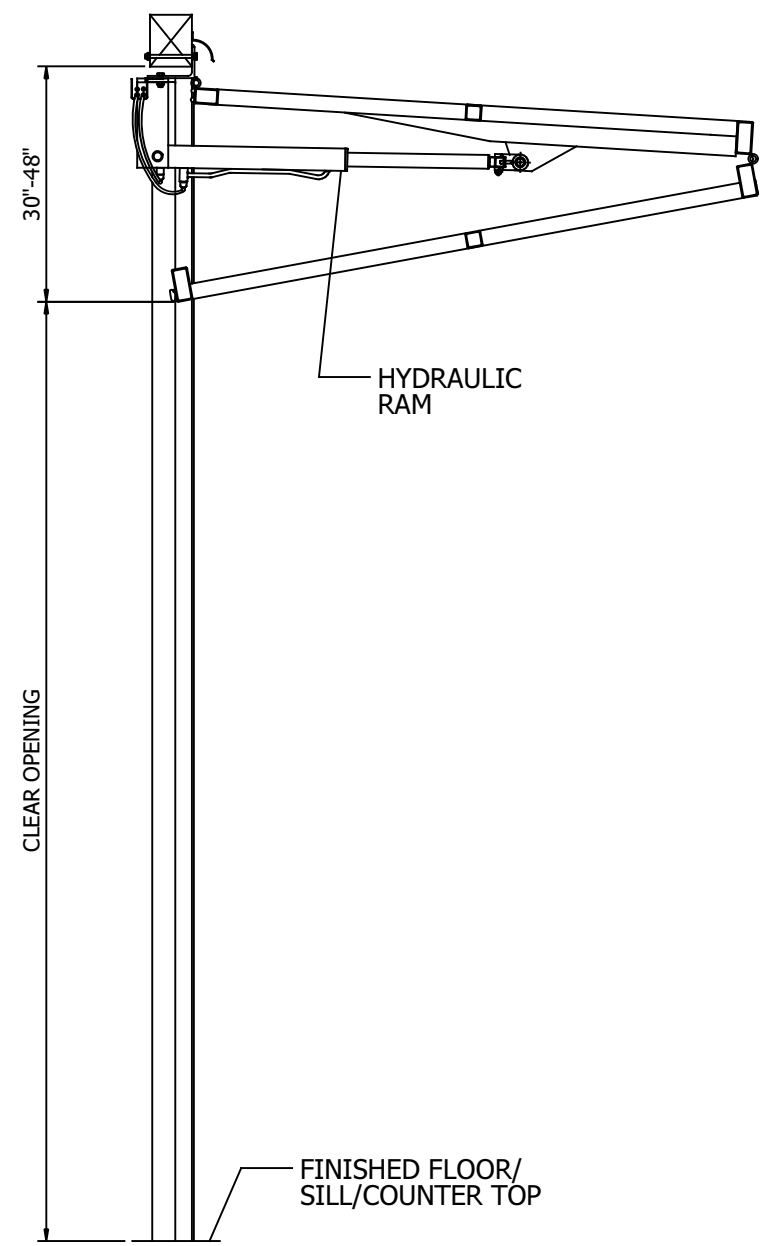
SST-II HYDRAULIC BI-FOLD SYSTEM
CROWN, INCORPORATED
 PLATO, MINNESOTA, 55370

MODEL: SST-II
 DRAWN: 12/2014

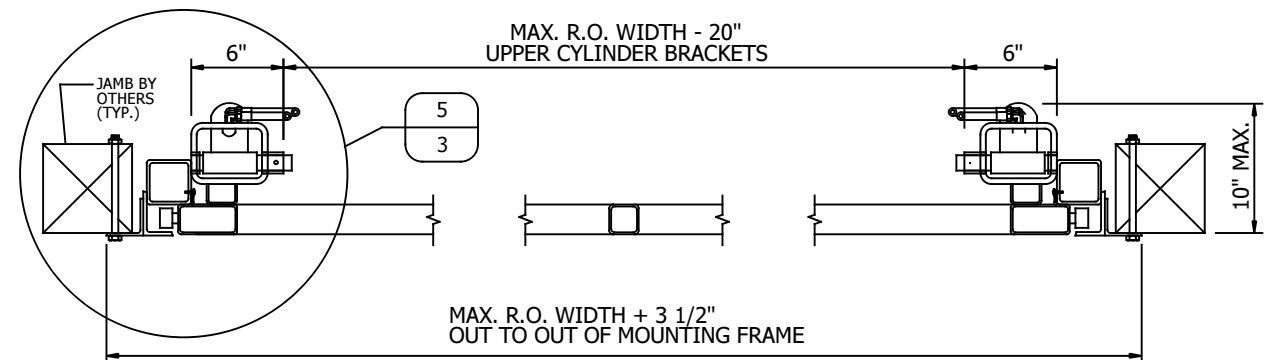
SHEET: **2.0**



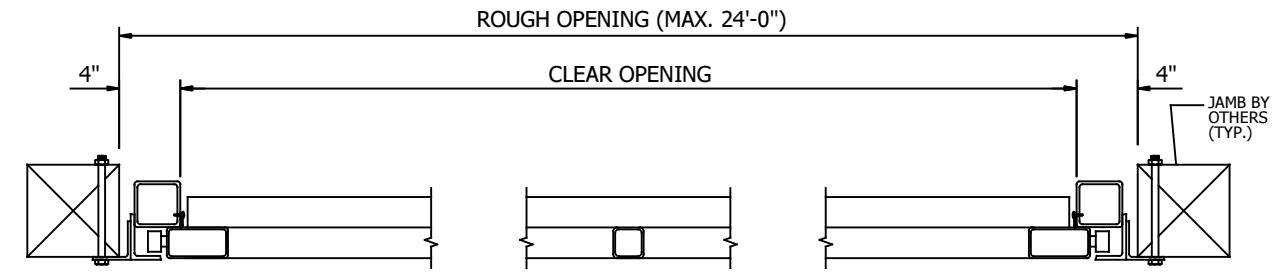
1 VERTICAL SECTION
NO SCALE



2 VERTICAL SECTION
NO SCALE



3 SECTION VIEW
NO SCALE



4 SECTION VIEW
NO SCALE

NOTES:	
APPROX. DOOR PANEL WEIGHT:	~ LBS.
APPROX. MOUNTING FRAME	~ LBS.
WEIGHT w/CYLINDERS:	~ LBS.
COVERING SYSTEM WEIGHT:	~ LBS.
APPROX. TOTAL DOOR PANEL WEIGHT w/COVERING:	~ LBS.
ELECTRICAL REQUIREMENTS:	ADVISE
MOTOR:	~
POWER UNIT:	~
WIND LOAD:	90 MPH EXP. C
APPROX. DOOR OPEN SPEED:	~
CYLINDER:	~
FINISH:	ADVISE

FINISHED FLOOR/
SILL/COUNTER TOP

HYDRAULIC
RAM

ROUGH OPENING (20'-0" MAX.)

CLEAR OPENING

ROUGH OPENING (MAX. 24'-0")

CLEAR OPENING

MAX. R.O. WIDTH - 20"
UPPER CYLINDER BRACKETS

MAX. R.O. WIDTH + 3 1/2"
OUT TO OUT OF MOUNTING FRAME

10" MAX.
6"-22"

30"-48"

1
3

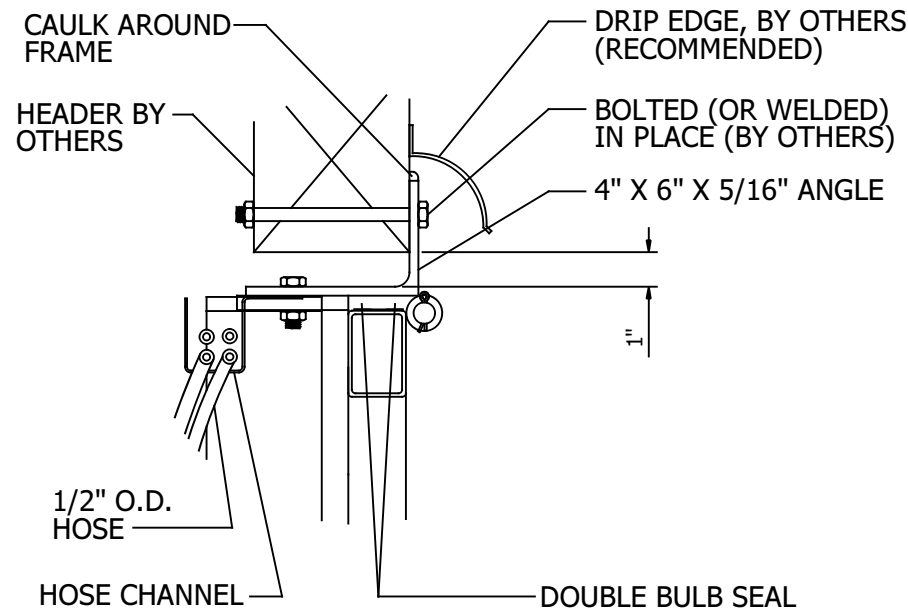
2
3

3
3

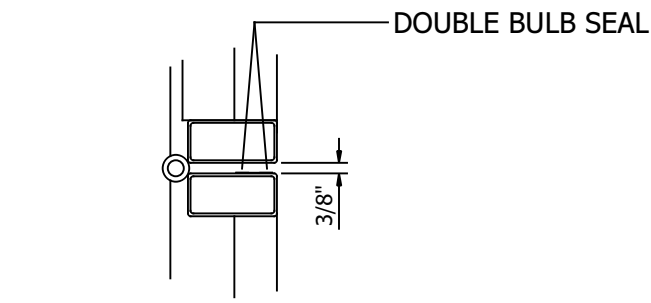
4
3

5
3

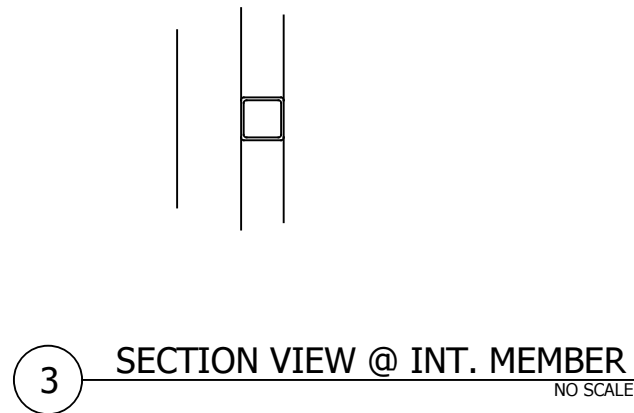
4



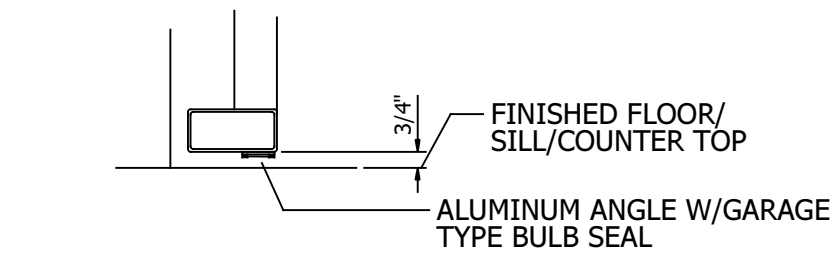
1 SECTION VIEW @ HEAD
NO SCALE



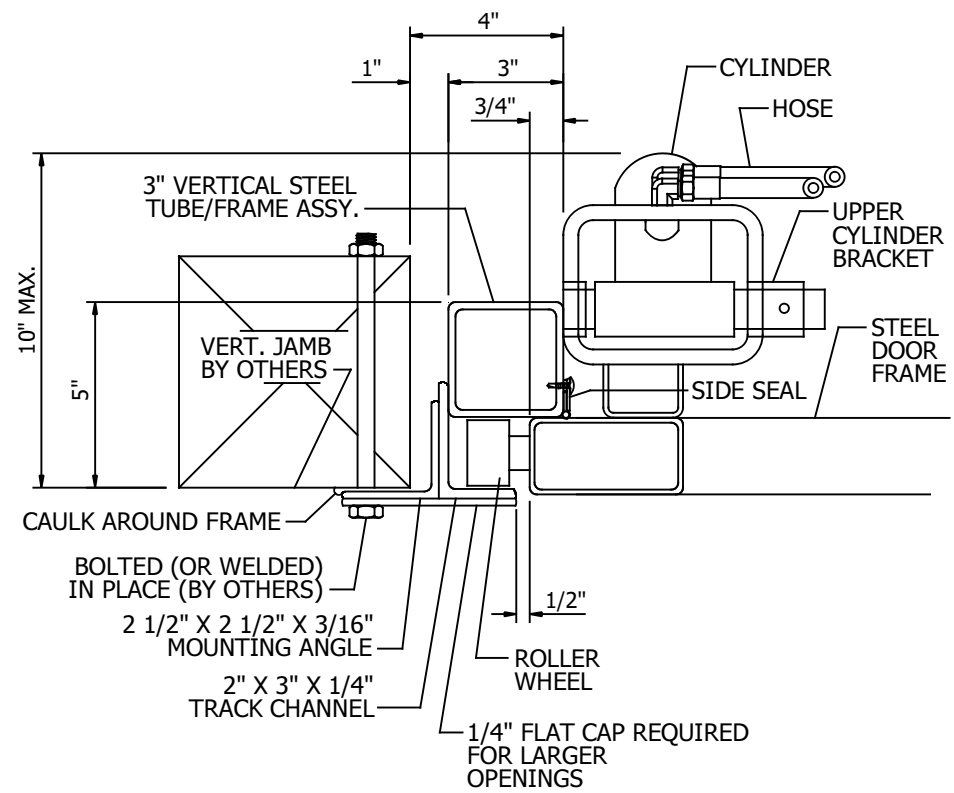
2 SECTION VIEW @ MID-HINGE
NO SCALE



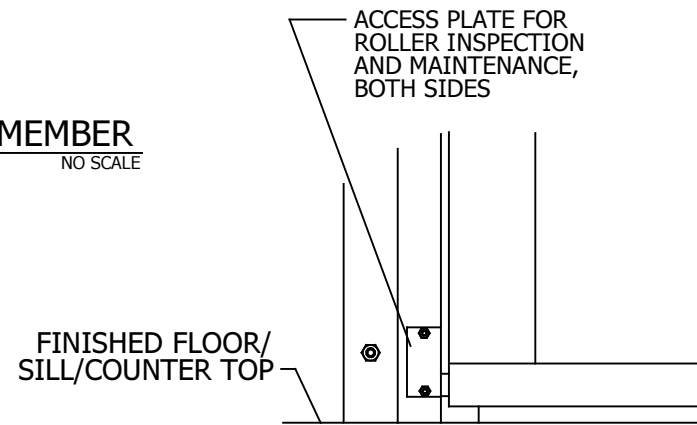
3 SECTION VIEW @ INT. MEMBER
NO SCALE



4 SECTION VIEW @ BASE
NO SCALE



5 SECTION VIEW @ JAMB
NO SCALE



6 MAINTENANCE HATCH
NO SCALE

PROPRIETARY AND CONFIDENTIAL
THE INFORMATION CONTAINED WITHIN THIS DRAWING SET IS THE SOLE PROPERTY OF CROWN INDUSTRIES, INC. ANY REPRODUCTION - IN PART, OR AS A WHOLE - WITHOUT THE EXPRESSED, WRITTEN CONSENT OF CROWN INDUSTRIES, INC. IS PROHIBITED

IMPORTANT NOTICE:
ALL DIMENSIONS SHOWN ARE CRITICAL TO PROPER DOOR OPERATION. IF ANY CHANGES ARE MADE, CONTACT CROWN INDUSTRIES IMMEDIATELY. ANY CHANGES MAY INCUR ADDITIONAL CHARGES.

ALL PARTS NOT LISTED AS "BY OTHERS" TO BE PROVIDED BY CROWN INDUSTRIES, INC.

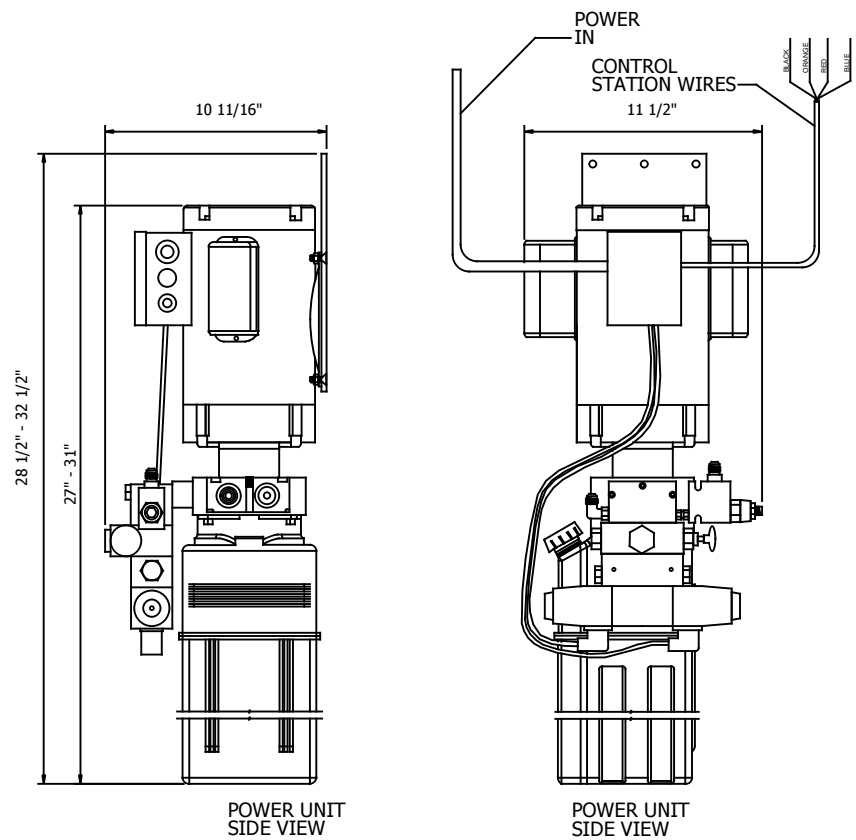


SAMPLE DRAWING

SST-II HYDRAULIC BI-FOLD SYSTEM
CROWN, INCORPORATED
PLATO, MINNESOTA, 55370

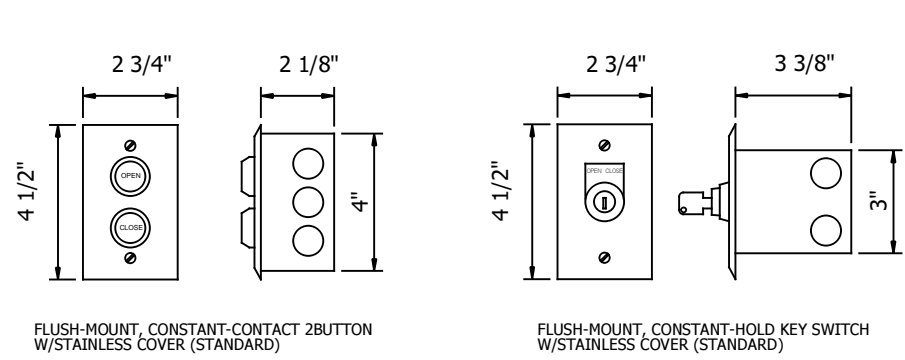
MODEL: SST-II
DRAWN: 12/2014

SHEET: 3.0

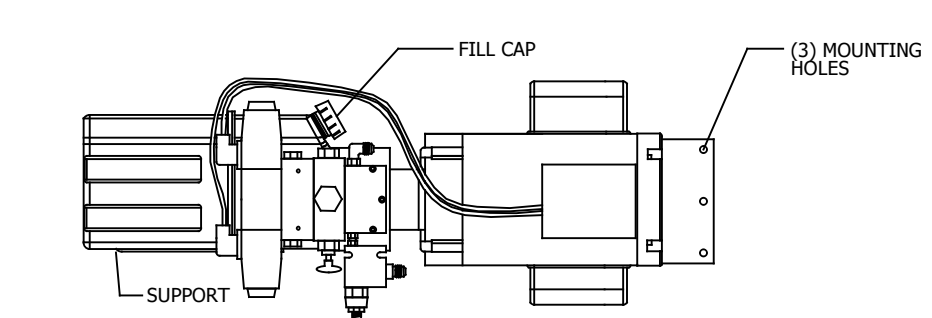


POWER UNIT
SIDE VIEW

POWER UNIT
SIDE VIEW



1 CONTROL OPTIONS
NO SCALE



3 MOTOR UNIT - OPTIONAL HORIZ. MOUNT

PROPRIETARY AND CONFIDENTIAL
THE INFORMATION CONTAINED WITHIN THIS DRAWING SET IS THE SOLE PROPERTY OF CROWN INDUSTRIES, INC. ANY REPRODUCTION - IN PART, OR AS A WHOLE - WITHOUT THE EXPRESSED, WRITTEN CONSENT OF CROWN INDUSTRIES, INC. IS PROHIBITED

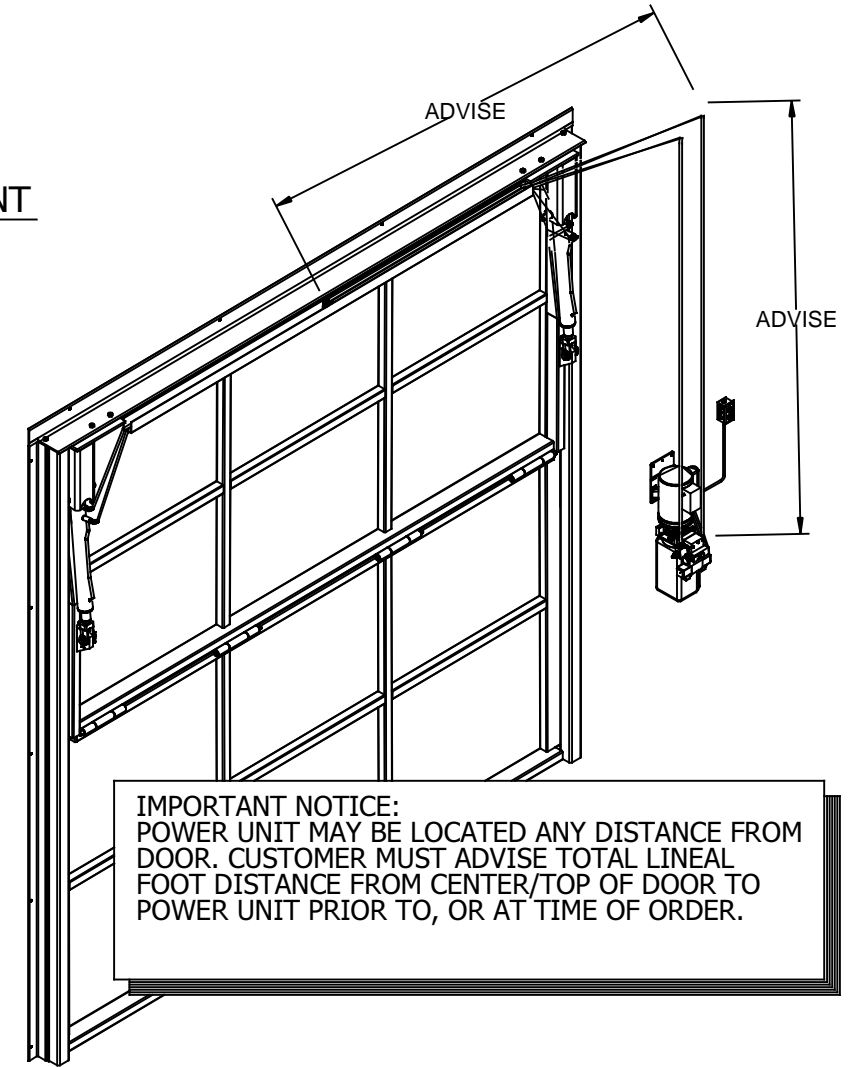
IMPORTANT NOTICE:
ALL DIMENSIONS SHOWN ARE CRITICAL TO PROPER DOOR OPERATION. IF ANY CHANGES ARE MADE, CONTACT CROWN INDUSTRIES IMMEDIATELY. ANY CHANGES MAY INCUR ADDITIONAL CHARGES.

ALL PARTS NOT LISTED AS "BY OTHERS" TO BE PROVIDED BY CROWN INDUSTRIES, INC.



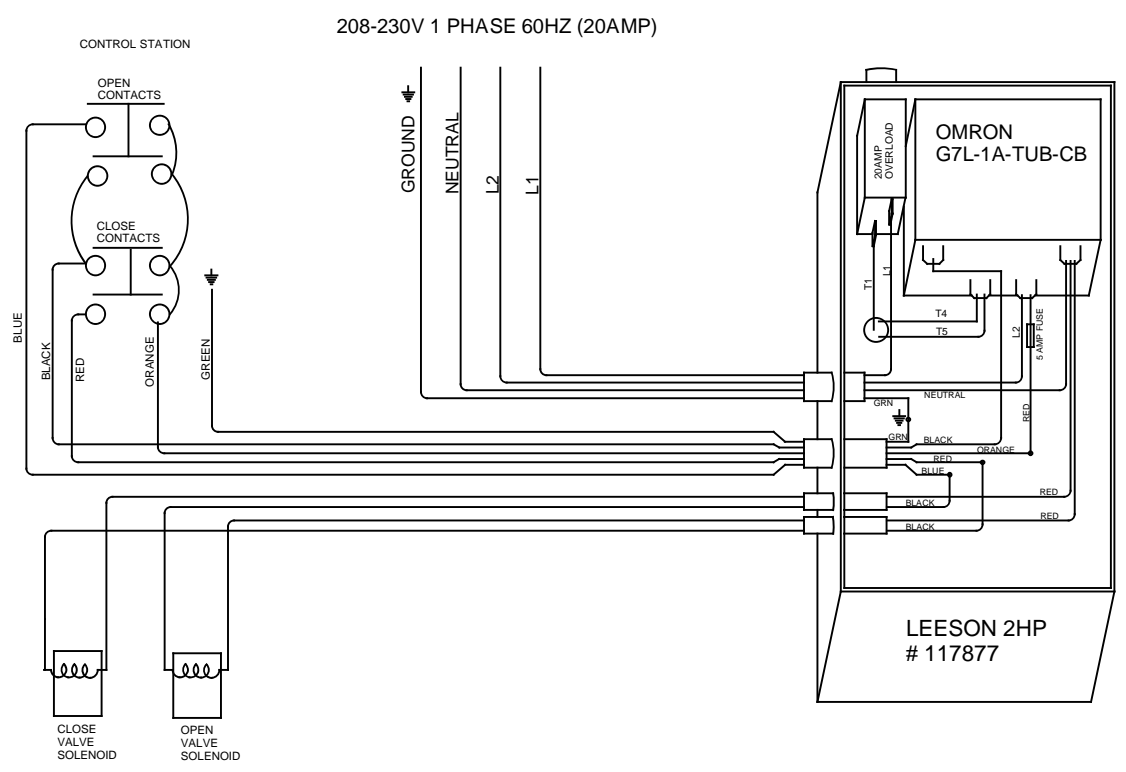
SAMPLE DRAWING

2 MOTOR UNIT - STD. VERT. MOUNT
NO SCALE



IMPORTANT NOTICE:
POWER UNIT MAY BE LOCATED ANY DISTANCE FROM DOOR. CUSTOMER MUST ADVISE TOTAL LINEAL FOOT DISTANCE FROM CENTER/TOP OF DOOR TO POWER UNIT PRIOR TO, OR AT TIME OF ORDER.

5 ISOMETRIC - INTERIOR VIEW



4 WIRING SCHEMATIC

SST-II HYDRAULIC BI-FOLD SYSTEM
CROWN, INCORPORATED
PLATO, MINNESOTA, 55370

MODEL: SST-II
DRAWN: 12/2014

SHEET: **4.0**