



FLOMAX 30 SS

3" x 3" 316 Stainless Steel, Self Priming, Centrifugal Pump

The 316 Stainless Steel FLOMAX® 30 provides excellent chemical compatibility and corrosion resistance for “hard-to-handle” aggressive fluids making it ideal for numerous agricultural, industrial and marine applications. The pump is equipped with a standard viton flapper, priming chamber fill-plug, and a 3” NPT Suction Flange. The discharge port is 3” ANSI 150 # Class Flat Flange. The standard mechanical seal is carbon/ceramic/viton/stainless steel. Consult factory for optional seals.

Two basic pumpak styles allow the FLOMAX® 30 self-priming centrifugal pump to fit standard Nema “C” electric motor frames, engines or the standard MP pedestal. The PUMPAK is completely assembled and can be mounted to a standard motor in minutes. Applications include: AG Fertilizer transfer, Chemical transfer, Diesel Exhaust Fluid (DEF) transfer and R.O. water transfer.



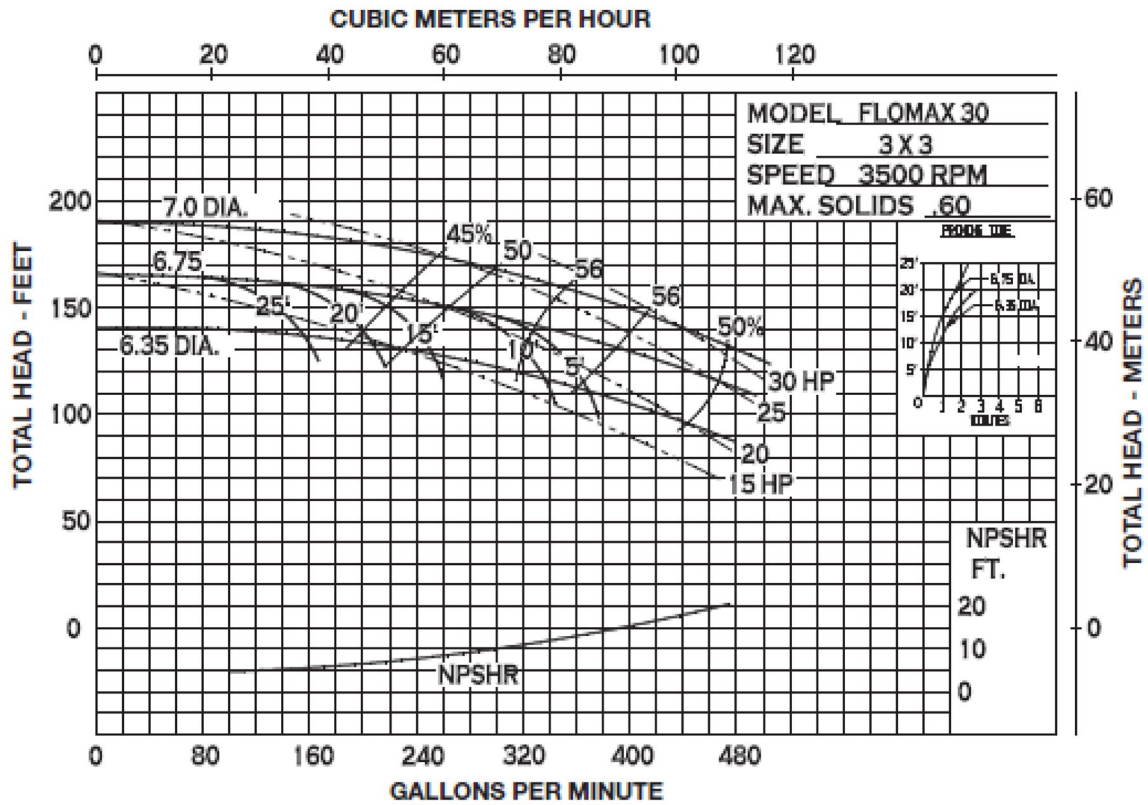
SPECIFICATIONS:

Flow	To 500 GPM
Impeller	316 SS, Semi-Open, Balanced
Drive Options	Close Coupled to 184TC, Close Coupled to 215C, Engine, PumPak ®, Pedestal
Seal	Carbon/Ceramic/Viton
Discharge	3" NPT 150 # Class Flat Flange
Suction	3" NPT

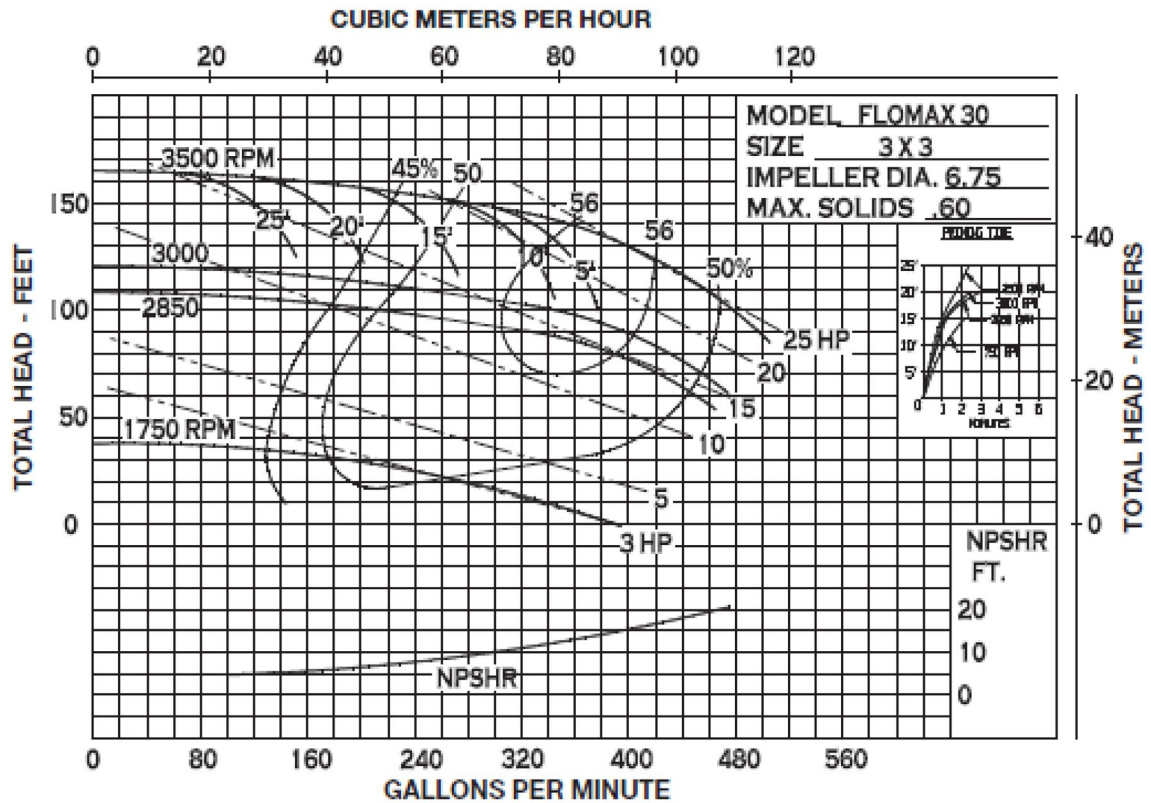
Application

- Agricultural
- Industrial
- Marine

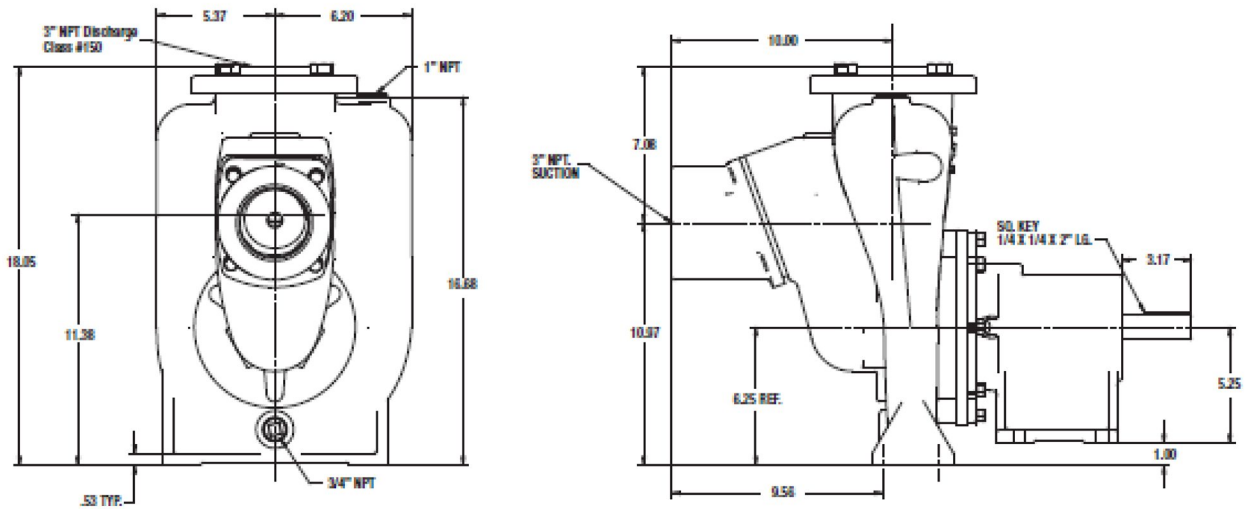
FLOMAX® 30 Performance Curves



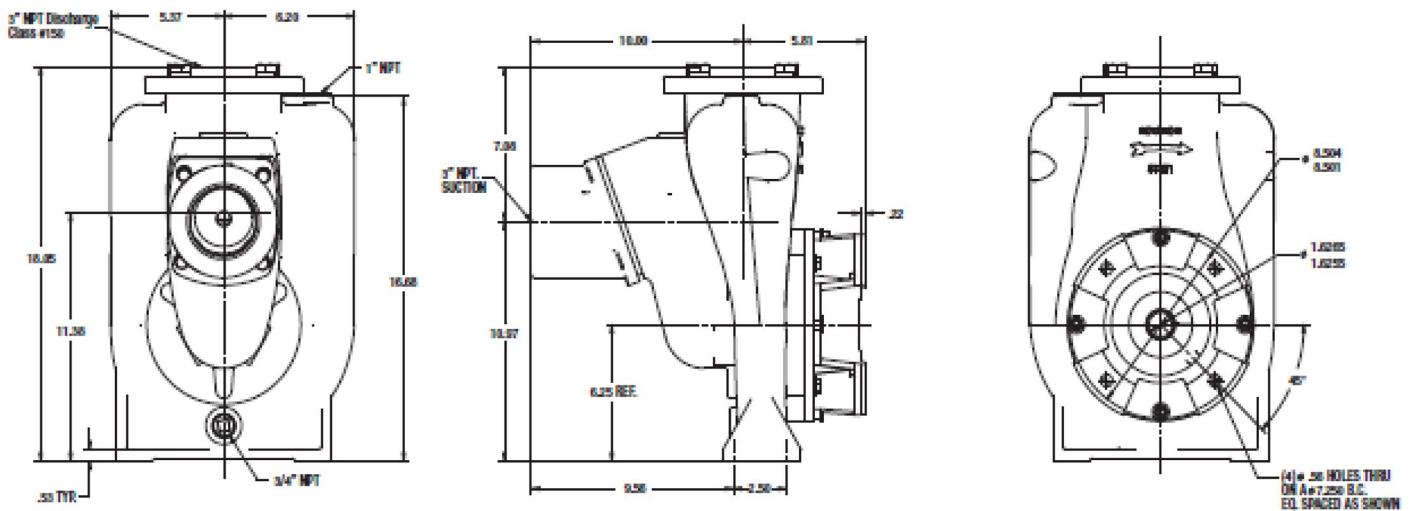
FLOMAX® 30 Performance Curves



FLOMAX® 30 Pedestal Dimensions



FLOMAX® 30 184TC Dimensions



FLOMAX® 30 215TC Dimensions

