

2025 BC-5: CLASSIC & ROCK SERIES

COMMERCIAL COFFEE ROASTERS

2025 OFFERS TWO STYLE OF BODIES FOR THE BC-5!

THE YEAR 2025 OFFERS 2 STYLES ON THE BC-3.5 & 5 MODELS. WE HAVE THE "CLASSIC LINE" WHICH FEATURES THE 'LOOKS' YOU HAVE COME TO KNOW IN THE BC ROASTERS WITH A COUPLE NEW FEATURES. BUT WE ALSO ARE ADDING THE 'ROCK SERIES' WHICH FEATURES A NEW MUCH MORE HEAVY DUTY BODY TYPE WITH THE OPTION TO ADD YOUR OWN CUSTOM LOGO ON THE FRONT OF ROASTER. MORE DETAILS OF THESE ARE HIGHLIGHTED BELOW.

FEATURES OF THE 2025 BC-5

ALL THE FEATURES OF THE PREVIOUS YEARS ARE ON THE 2025 MODELS: THE 'CLASSIC' MODEL IS OFFERED IN BOTH SINGLE OR DOUBLE WALL MODELS. AND THEY CAN ROAST BATCHES AS SMALL AS 1/2LB. UP TO 5 POUNDS! (SW-16OZ TO 5LB.) THE GAS MODELS CAN ROAST UP TO 5 ROASTS PER HOUR .ELECTRIC MODELS CAN ROAST 4LB. PER ROAST AND UP TO 3.5-4 ROASTS PER HOUR. MOST FEATURES ARE OFFERED AS STANDARD ON THE BC-5 SUCH AS COMPLETE CONTROL OF AIRFLOW WITH THE MDDS SYSTEM. THE MAG AIRFLOW GAUGE ALLOWS YOU TO MONITOR AIRFLOW THROUGH THE DRUM. A NEEDLE VALVE GAS VALVE ALLOWS PRECISE CONTROL OF GAS PRESSURE AND DRUM SPEED CONTROL ALLOWS FOR FINE TUNING OF ALL TYPES OF BEANS. THESE COME WITH SOLID HEAVY-DUTY STAINLESS STEEL DRUMS IN SINGLE OR DOUBLE WALL (DOUBLE WALL ONLY ON THE ROCK SERIES MODELS) AND BUILT IN PROFILING SYSTEM FOR BT & ET. DIRECT-CONNECT CHAFF UNIT FOR EFFICIENCY & REDUCED FOOTPRINT. THE 2025 MODELS ADD A NEW TYPE NECK ON ROASTER AND HOPPER GATEWAY.

BC-1 THRU 8 GAS MODELS COME WITH A FREE 110-120 VOLTAGE CONVERTER



'CLASSIC LINE'
OUR BC-3.5 & 5 OFFER THE ORIGINAL CLASSIC LOOK WITH THE NEW 2025 NECK & HOPPER GATEWAY



'ROCK SERIES'
OUR MOST HEAVY DUTY BODY EVER BUILT ON A BC MODEL TO DATE.

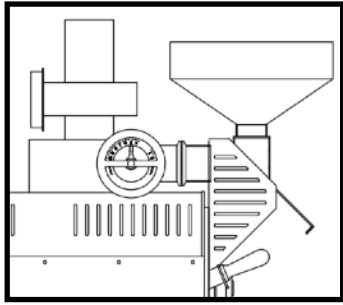
GET YOURS WITH YOUR LOGO, OR NO LOGO OR OUR LOGO: YOUR CHOICE

| BC-5 AIR | GAS TYPE | ELECTRIC |
|-------------------|-------------------|-------------------|
| Batch Size | 8oz-5lb. | 1-4lb. |
| Roasting Time | 9-14 minutes | 15 minutes |
| Production | 20-25lb.hr | 15-18lb.hr |
| Heat Source | NG/LPG | ELECTRIC |
| Voltage | 220V* | 220V |
| Wattage | 295W | 5300W |
| Drum Motor | 90W | 60W |
| Chaff Fan Motor | 60W | 60W |
| Cooling Fan Motor | 90W | 90W |
| MIXING ARM | 15W | 15W |
| BTU | 45,000 | NA |
| NG PRESSURE | 7WC | NA |
| LPG PRESSURE | 16-20WC | NA |
| Gas Consumption | 0.4kg/hr | NA |
| Roaster Dim. | 42x27x39" | 42x27x39" |
| Roaster Weight | 353lb | 353lb |
| Crate Dimensions | 48x33x41" (LxWxH) | 48x33x41" (LxWxH) |
| Package weight | 430lb | 430lb. |



FEATURES

- SINGLE & DOUBLE WALL OPTIONS
- COMPUTER PROFILING VIA USB OR BT
- TWO 3mm THICK K TYPE THERMOCOUPLES
- COMPLETE DETAILS ON CONTROL PANEL
- 1 YEAR PARTS AND INSTRUCTION WARRANTY
- MINIMUM 10 YEAR IN STOCK PART SUPPLY
- FREE 110 VOLTAGE CONVERTER FOR USA



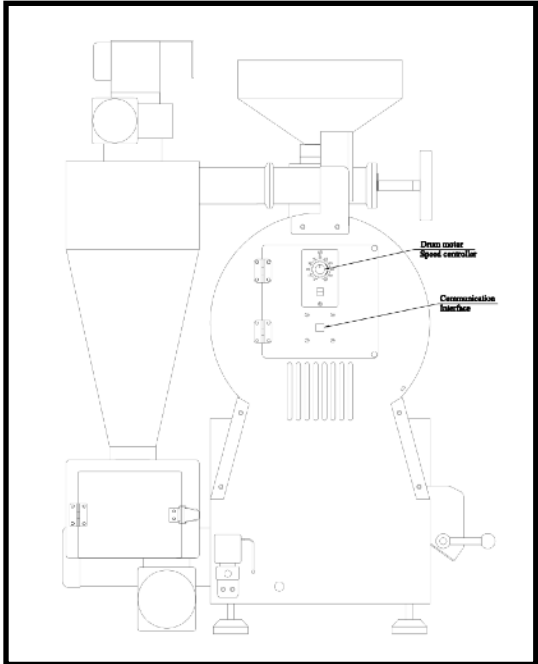
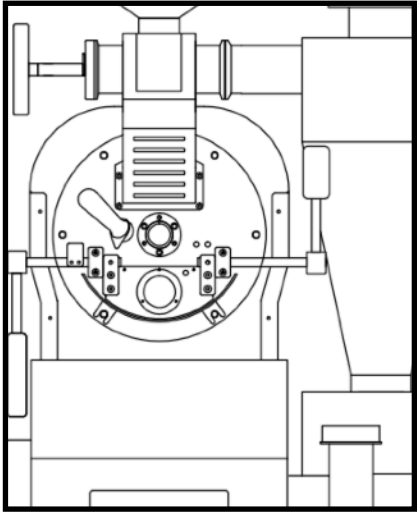
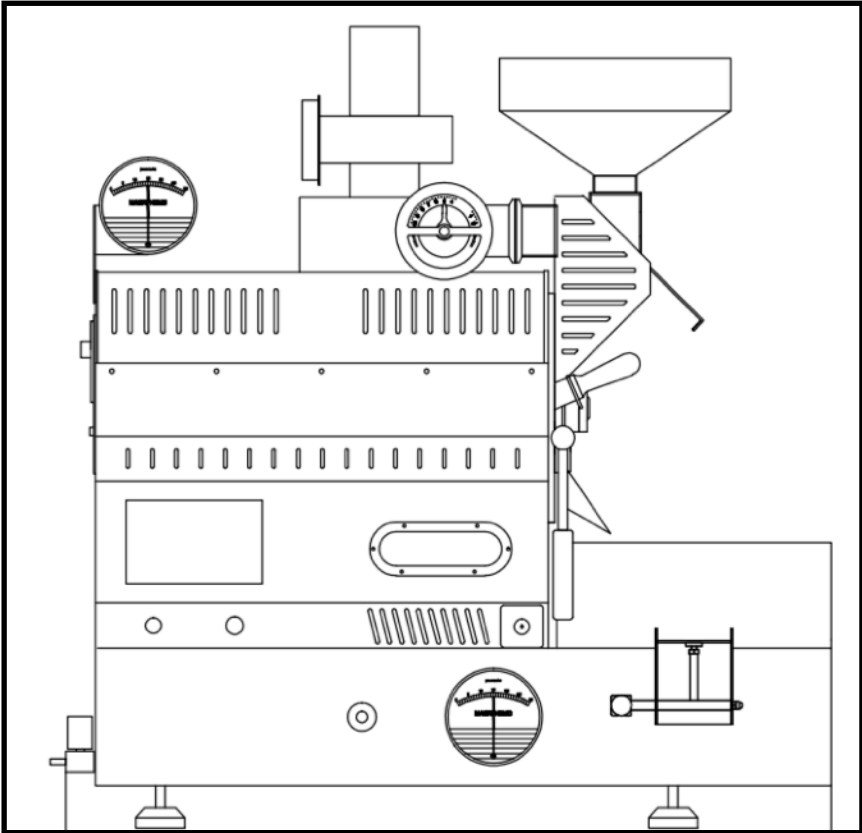
BC-5 Has TWO 4" Exhausts:
4" off Cooling Tray
4" off Chaff Unit Fan

2025 BC-5 MODELS
FEATURE NEW STYLE NECK
& HOPPER GATEWAY

NEW FOR 2025: 'ROCK SERIES MODEL'

THE DESIGN FROM FRONT HIGHLIGHTS THE NEW NECK DESIGN AS WELL AS HOPPER GATEWAY.

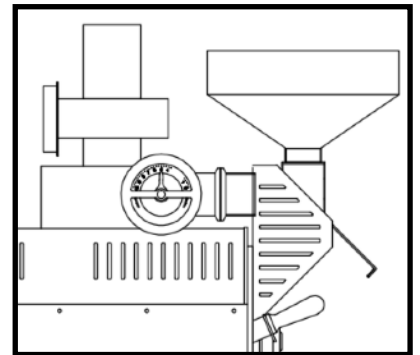
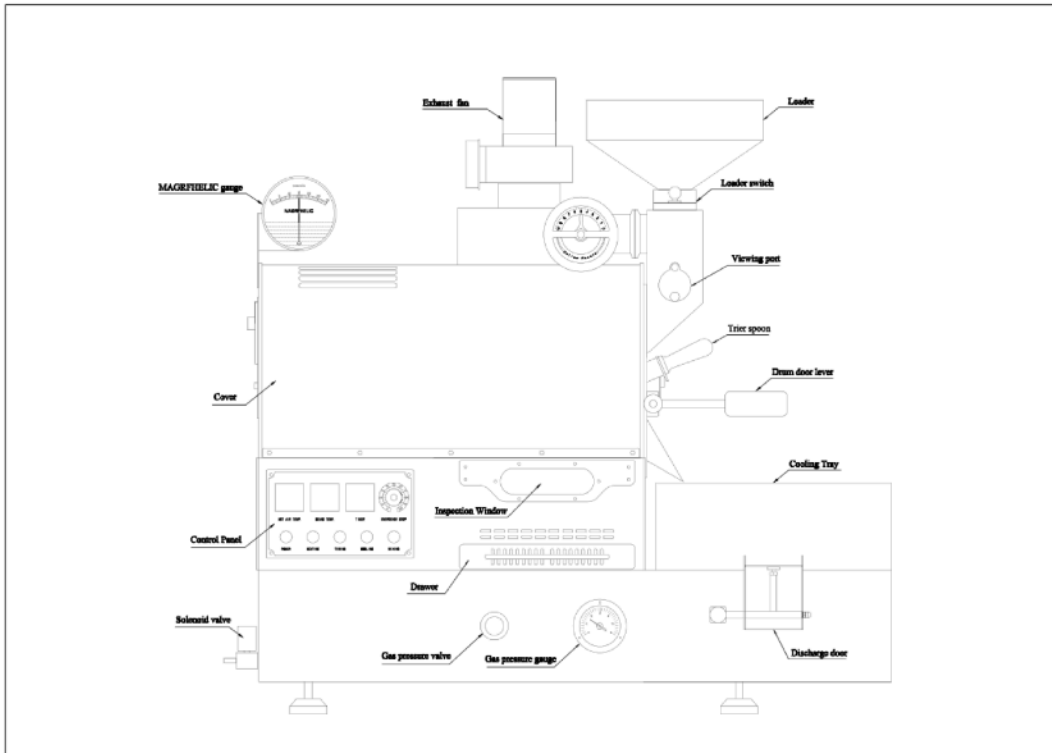
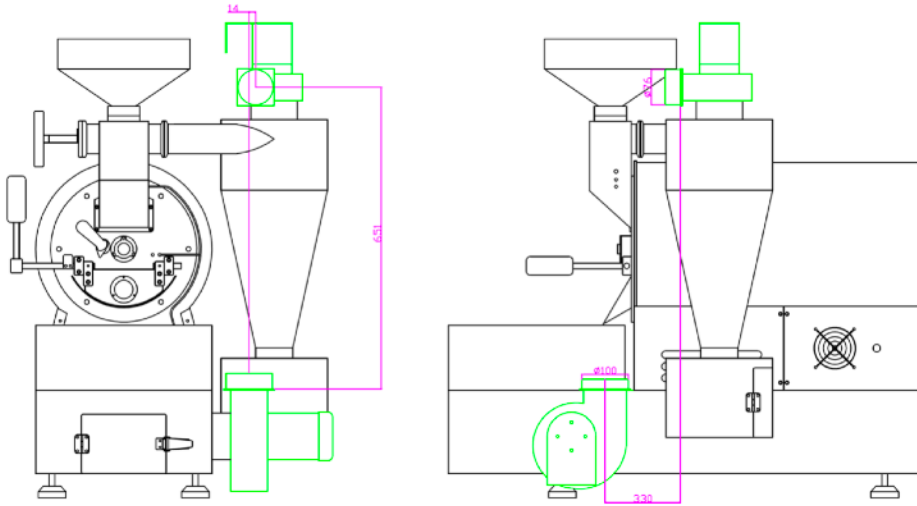
ALSO NOTE THE NEW HEAVY DUTY CARBON STEEL WRAP AROUND THE DRUM MAKING THE ROCK SERIES OUR MOST HEAVY DUTY BC-5 TO DATE



2025/26 DRAWINGS SHOW SIZE OF ROASTER:
1060x700x1025mm
42x28x41in.
(LxWxH)

'CLASSIC LINE'

FEATURES ALL THE SAME LOOKS AS OUR PREVIOUS YEARS EXCEPT FOR THE NEW NECK & HOPPER FEATURES WHICH MATC THE ROCK SERIES DESIGN.



'CLASSIC LINE'

THE 2025 CLASSIC BC-3.5 & 5 OFFER A NEW TYPE ROASTER TECH AND HOPPER GATEWAY WHICH REPLACES THE STYLE IN EARLIER YEAR MODELS AS SEEN ABOVE.

'ROCK SERIES'

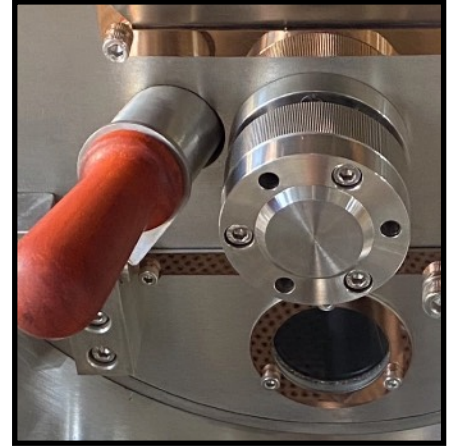
WITH OPTIONAL
RAINDROP HOUSING
CHOICE OF GOLD, SILVER
OR PURPLE RAINDROP
1/2 HOUSING TO LIVEN
UP THE COLORS IN YOUR
COFFEE SHOP!



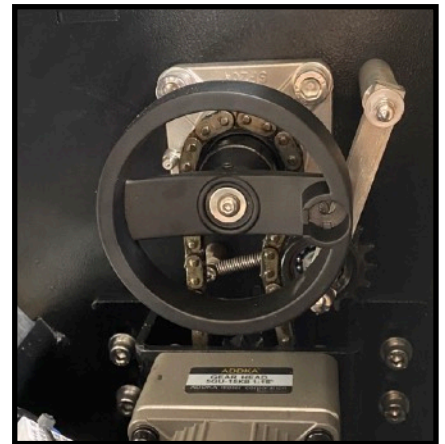
NEW CIRCUIT BREAKER SYSTEM



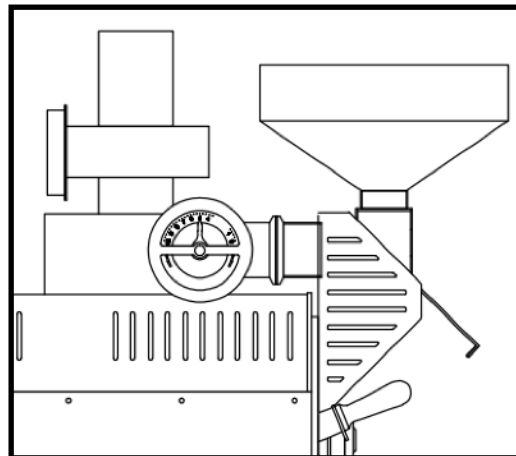
THE 'CLASSIC' & 'ROCK' SERIES
Keep all the Features from
previous years



**NEW BEARING & DRUM ALIGNMENT
FEATURE**



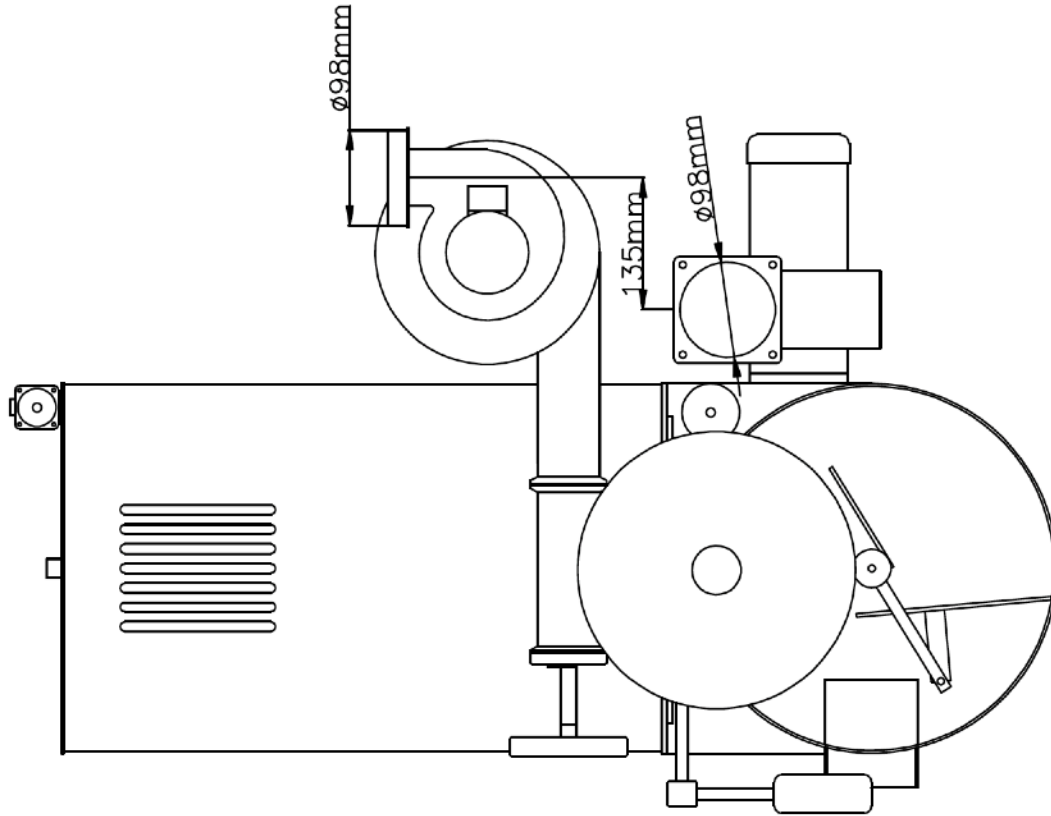
NEW QUICK RELEASE DRUM WHEEL



NEW NECK & BEAN RELEASE FOR 2025

CLEARANCE FROM ALL COMBUSTABLE SURFACES:

18-24" SPACE ON ALL SIDES



BODY COLOR CHOICES:

BLACK, RED, WHITE or PURPLE BODIES

CLASSIC LINE HOUSING COLORS

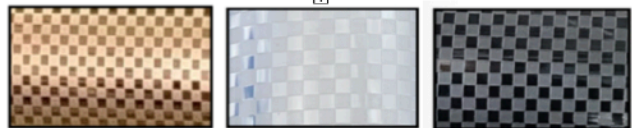
12 Housing Color Choices on the CLASSIC LINE ONLY

SOLID COLORS



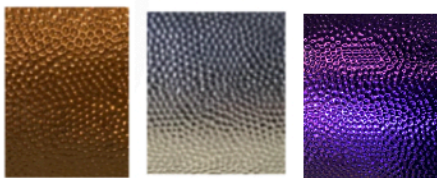
ROSE GOLD STAINLESS BLACK TITANIUM

CHECKERED TEXTURES



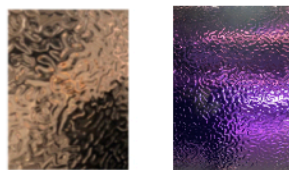
CHECKERED ROSE GOLD CHECKERED SILVER CHECKERED BLACK

RAINDROP TEXTURES



ROSE GOLD SILVER PURPLE

HAMMERED TEXTURES



ROSE GOLD PURPLE

LIMITED TIME SPECIAL



SOLID PURPLE

IMPORTANT NOTE ON EXHAUST SETUP OF THE NEW HD LINE OF ROASTERS:
WITH THE NEW 2022 HD LINE OF ROASTERS INTRODUCED IN 2021 COMES A NEW HEAVY DUTY CHAFF FAN. THIS FAN HAS AN EXHAUST PIPE OF 100MM. THEREFORE IT REQUIRES A 4" PIPE TO ATTACH TO THE CHAFF EXHAUST (THE COOLING FAN EXHAUST HAS A 4" OUTLET)

BC-5 COMMERCIAL COFFEE ROASTER

- *TABLETOP OR STAND MODEL (18-24" STAND SUGGESTED)
- *DIRECT CONNECT CHAFF UNIT FOR SMALLER FOOTPRINT
- *CHOICE OF ALL ELECTRIC OR GAS MODELS

| | |
|---|--|
| SIZE SETUP (LxWxH) | 42x27x39" (INCLUDES DIRECT CONNECT CHAFF UNIT IN MEASUREMENT) |
| WEIGHT | 353LB |
| MINIMUM CLEARANCE FROM COMBUSTABLE MATERIALS | 18-24" |
| ROASTING CAPACITY | 1-5LB SINGLE WALL 8OZ TO 5LB DOUBLE WALL |
| ROAST TIME & ROASTS PER HOUR | 9-14 MINUTES (5 ROASTS PER HOUR GAS. 3.5 PER HOUR ELECTRIC) |
| DRUM INFORMATION | SW DRUM: 4MM SUPERIOR 304SS CONTAINS 18% CHROMIUM AND 8% NICKEL DW DRUM: HAS TWO LAYERS OF 2MM 304SS WITH 4MM OF AIR CUSHION. SS WELDING |
| ELECTRIC STATS: | GAS MODEL: SINGLE PHASE 220V 50/60HZ 295W REQUIRES STANDARD 15A BREAKER ALL ELECTRIC MODELS: SINGLE PHASE 220V 50/60HZ 5295W REQUIRES 30A DEDICATED BREAKER |
| ELECTRICAL PLUG TYPE | GAS MODELS: 20A 250V 3 WIRE NEMA 6-20P ELECTRIC TYPE: LOCKING PLUG 250V 30A NEMA L6-30P |
| FUEL CHOICES ON GAS MODELS | LPG GAS STANDARD WITH MODELS. NATURAL GAS CONVERSION KITS OFFERED FOR CUSTOMER INSTALLATION ONLY. |
| BURNER INFORMATION ON GAS MODELS | SW BURNERS: 8 STANDARD HD BURNERS DW BURNERS: 10 STANDARD HD BURNERS |
| BTU REQUIRMENTS | 40,000 BTU MINIMUM REQUIRED FOR NG LINE |
| GAS PRESSURE | LPG: 12-16WC (3-4KPA) MARSHALL 1912/197 REGULATOR RECOMMENDED NG: 7-14WC |

| | |
|--|---|
| EXHAUST SETUP | |
| EXHAUST PIPE REQUIREMENTS | POSITIVE PRESSURE EXHAUST VENTING WITH MINIMUM CLEARANCE 18-24" FROM COMBUSTABLE MATERIALS |
| MAXIMUM VENTING LENGTHS | 20-25' FROM CHAFF UNIT. DEDUCT 3-5' FOR 45-90 DEGREE PIPE ELBOWS. IF YOU MUST VENT AT LONGER LENGTHS CONSULT A LOCAL TECHNICIAN ON USE OF POSSIBLE BOOSTER FANS |
| MAXIMUM EXHAUST TEMPERATURES | 425-475F |
| CHAFF UNIT HIGH TEMP. | 300-350F |
| COOLING TRAY HIGH TEMP. | 200F |
| | |
| DATA LOGGING VIA ARTISAN OR CROPSTER | BUILT IN DATA LOGGER ATTACHES TO COMPUTER (PC OR MAC) VIA USB OR BLUETOOTH |
| K TYPE THERMOCOUPLES | BT & ET WITH TWO ADDITIONAL PREDRILLED CAPPED THREADED HOLES TO ADD OR ADJUST LOCATION OF PROBES |
| MANUFACTURED IN CHINA FOR BC ROASTERS | CUSTOM BUILT FOR BC SPECS IN USA AND OVER 200 LANDS |

COMPUTER DATA LOGGING VIA ARTISAN SOFTWARE

RECORD ROASTS VIA USB OR BLUETOOTH TO DUPLICATE PROFILES USING ARTISAN SOFTWARE.



BUCKEYE COFFEE IS A PROUD MONTHLY SPONSOR OF ARTISAN SOFTWARE

ARTISAN SOFTWARE

Do your part to Keep Artisan Alive and Well.

Donate to Artisan Here:

<https://artisan-scope.org/donate/>

DO YOUR PART!

CONSIDER ARTISAN PLUS

<https://shop.artisan.plus>



artisan+

FOR MORE INFORMATION SEE:

BCROASTERS.COM

BUCKEYECOFFEE.COM

BC ROASTERS

BUCKEYE, ARIZONA 85326

TONOPAH, ARIZONA 85354

TOLL FREE: 844.522.6333

INFO@BCROASTERS.COM