

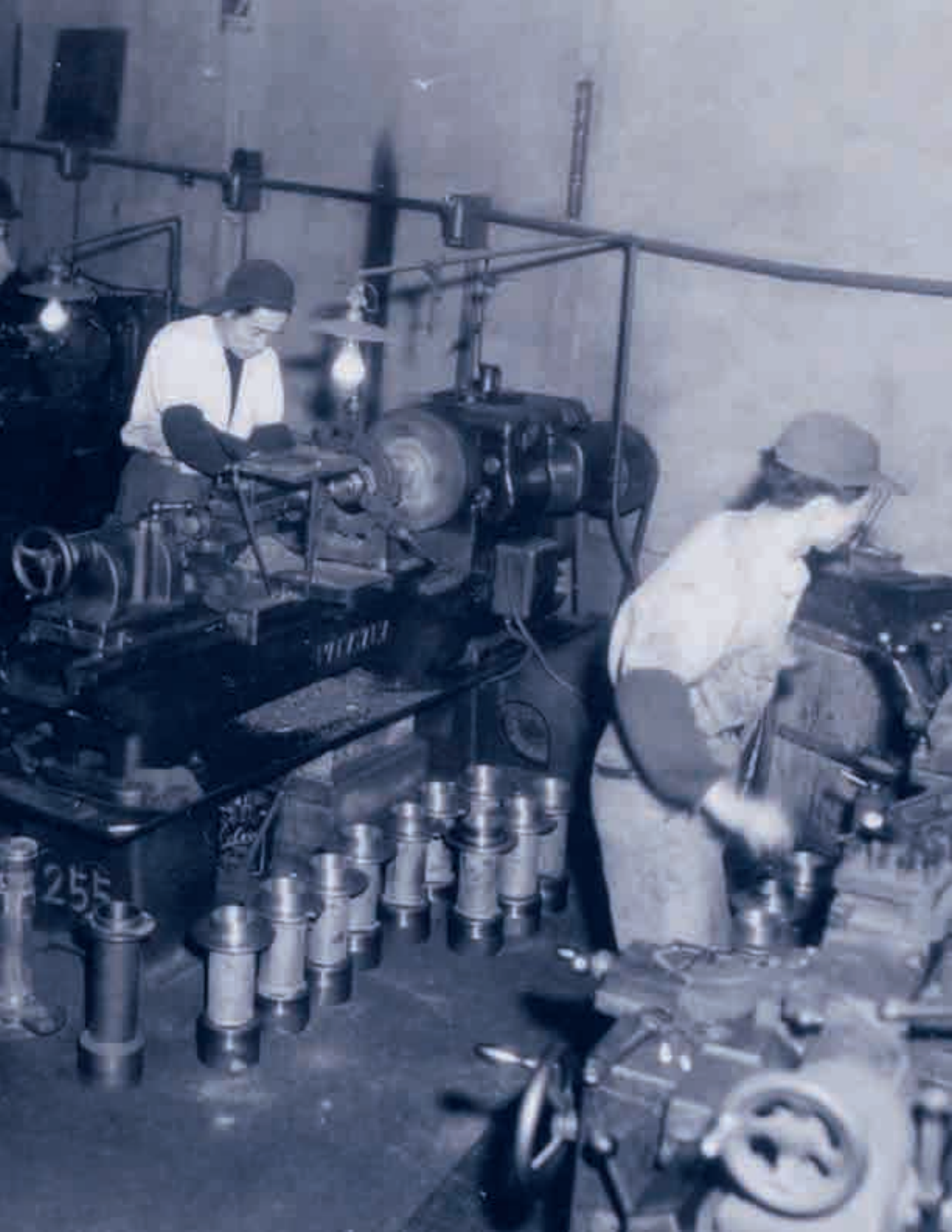


Dental Equipment Retail Price Book

2025

A 3D rendering of a blue dental chair and a stethoscope, positioned behind the large white numbers "2025". The chair is partially visible behind the "2" and "5", and the stethoscope is draped over the "5".

THIS PRICE BOOK SUPERSEDES ALL PRIOR LISTS.
PRICES, MODELS, AND SPECIFICATIONS ARE
SUBJECT TO CHANGE WITHOUT NOTICE.





Trusted Excellence.

Rest easy knowing that our products carry over a century-long legacy of innovation, craftsmanship and expertise. With our proven track record, you can confidently deliver quality

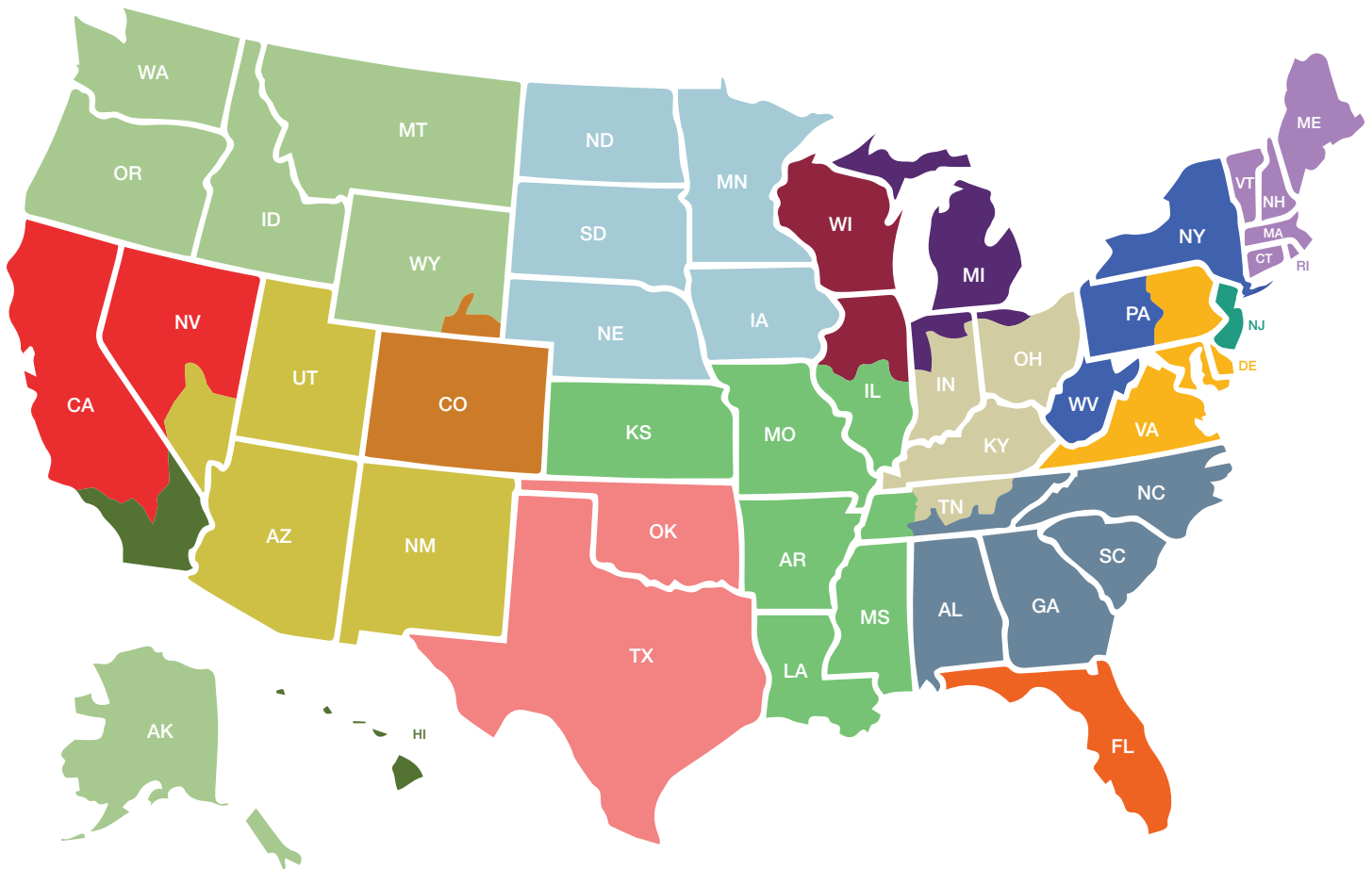




Table of Contents

Order Placement / Customer & Technical Service	1
Upholstery	2-8
Chairs	9-17
Stools	18-19
Accessories	21-28
Evogue Delivery Systems	29-49
X-Gaibur Delivery Systems	51-68
Cart & Cabinet Mounted Delivery Systems	69-79
Operatory Lights	81-95
Imaging Systems	97-101
Cabinetry	103-151
Materials & Colors	104-106
D-Series Cabinetry	107-126
K-Series Cabinetry	127-130
Flex Series Cabinetry	131-138
ECO-Sys & Ortho-Sys Cabinetry	139-151
Sterilization Centers	153-159
Shipping Information	161-167
Templates	168-171
Terms & Conditions / Cleaning and Disinfection	172
Warranty	173

Belmont Dental Sales Regions



BART GAMMONS

General Manager, Dental/Medical Sales
 bgammons@takarabelmont.com
 609.608.8378

JOHN BERTAGNI

Strategic Accounts - National
 jbertagni@takarabelmont.com
 303.718.1204

LARRY BROCK

WI, IL*
 l_brock@icloud.com
 630.240.1493

CHRIS BACHUS

IN*, OH*, KY, TN*
 chrisbachus@gmail.com
 614.332.9704

DAN ELLYSON

CA*, NV*
 dellyson@takarabelmont.com
 971.221.7728

LARRY HOYER

WA, OR, ID, MT, WY*, AK
 lchoyer@comcast.net
 503.708.8040

ERIC JOHNSON

KS, MO, IL*
 ejohnson@takarabelmont.com
 618.820.1921

VINCE RAIA, JR.

NY*, NJ
 vrjrliny@optonline.net
 631.764.2879

SEAN GILLIS

CA*, HI
 sgillis@takarabelmont.com
 310.745.9285

TIM VANWYCHEN

ND, SD, NE, MN, IA
 vanwychen@hotmail.com
 651.231.2801

MATT STAFFORD

OK, TX, NM, AR, LA, MS, TN*
 mstafford@takarabelmont.com
 720.231.4038

MIKE MATUCH

PA*, WV, NY*
 michaelmatuch@yahoo.com
 716.913.8534

JOHN BERTAGNI

CO, WY*
 jbertagni@takarabelmont.com
 303.718.1204

ERIK BEARD

AZ, NM, NV*, UT
 ebeard@takarabelmont.com
 480.328.7528

STEVE DUMAS

MI, IN*, OH*
 spdumas@me.com
 616.292.8323

JOHN CATANIA

ME, NH, VT, RI, CT, MA
 john_catania@hotmail.com
 978.580.4410

ALFREDO MALAGON

FL
 fldentaldude@gmail.com
 786.356.3192

BILL BECKER

PA*, NJ*, MD, DC, VA, DE
 wgpbecker@msn.com
 410.340.1210

DAN PARENTEAU

TN*, NC, SC, GA, AL
 dparenteau@takarabelmont.com
 678.382.1230

Order Placement / Customer & Technical Service

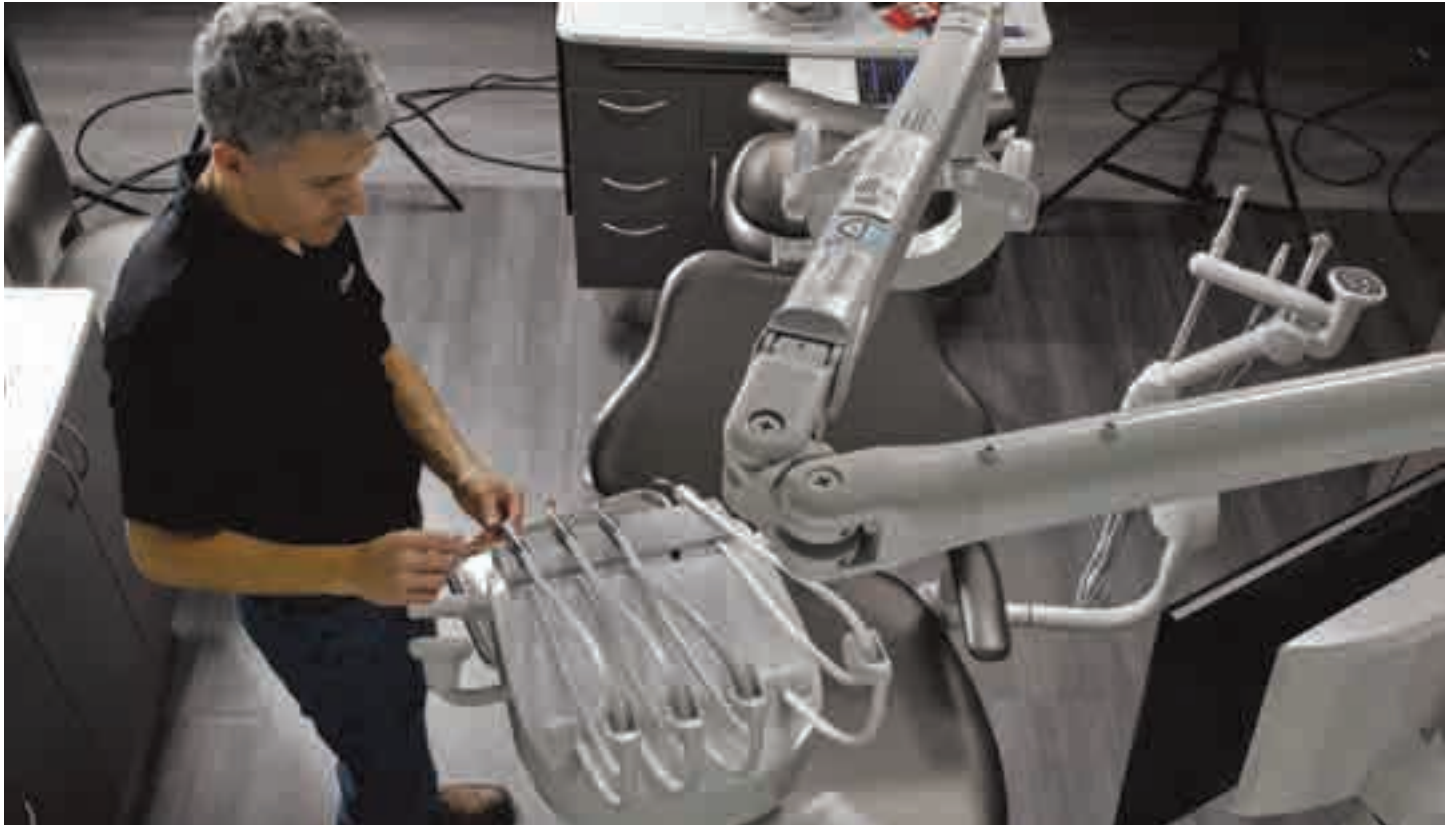
Telephone Directory & Hours

Chairs, Delivery Systems, Lights, Imaging Systems, Stools • (800) 223-1192

Somerset, NJ Customer & Technical Service: 8:00am-5:00pm (Eastern Standard Time), Monday-Friday

Cabinetry, Cabinetry Parts, Equipment • (800) 325-7373

St. Louis, MO Customer Service: 9:00am-5:30pm (Eastern Standard Time), Monday-Friday



Equipment

Please Email purchase orders, as follows:

Equipment & Parts orders to:orders@belmontequip.com

Service Parts (ONLY) orders to:dentalparts@belmontequip.com

Please FAX orders, as follows:

Equipment (ONLY) orders to:.....(732) 356-1035

Service Parts (ONLY) orders to:(732) 564-5038

Cabinetry & Cabinetry Parts

Please Fax all Cabinetry & Cabinetry Part orders to:(314) 446-7088

Belmont dental equipment and cabinetry are sold through authorized dental dealers.

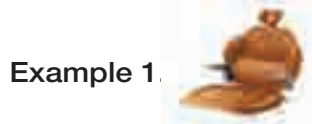
Special orders are non-cancelable and non-returnable.

All prices, models and specifications are subject to change without notice.

- Please Provide:
- Quantity
 - Method of Transportation
 - Signed Purchase Order
 - Description
 - Shipping Date Required

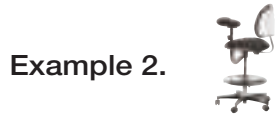
Upholstery Standard Upholstery Styles and Materials

How To Order Chair Upholstery & Stools with Upholstery



Example 1.

B50N NPWB Style Chair with 8243 Apricot Ultraleather® Upholstery
 Upholstery Style: **NPWB** + Material Color No: **8243** = Upholstery Set Part #: **NPWB8243**



Example 2.

091 Assistant's Stool with standard vinyl AF918 INK Upholstery
 Upholstery Style: **091** + Material Color No: **AF918** = Complete Stool with Upholstery, Part #: **091AF918**

Belmont Standard Ultraleather® Color Selections (*Asterisk indicates Pearlized colors) **Note: Actual material colors may vary from printed color represented.**

APRICOT 8243	ARCTIC 5684	BALTIC 2551	CASHMERE 3926
CHARCOAL 5763	CHIANTI 1312	CURRY 3612	DIPLOMAT BLUE 2478
DOVE GREY 5666	EUCALYPTUS 4430	LICORICE* 5814	MICA* 3174
OCEAN BLUE 2721	PAPYRUS 1256	PARROT 4460	PEWTER* 5768
PLUM 9385	RAVEN WING 5607	SAND 3850	SHETLAND 4351
STONE 3602	TAUPE 3779	WALNUT 3777	

Belmont Standard ALLANTE FRee® Vinyl Color Selections **Note: Actual material colors may vary from printed color represented.**

AUTUMN RAIN AF909	CHATEAU GREY AF906	CHOCOLATE SUNDAE AF921	ECLIPSE AF919
GARDEN GREEN AF904	GIBRALTAR AF903	INK AF918	PROVINCE BLUE AF905
TAUPE FAWN AF911	WARM SMOKE AF913	OLD NAVY AF908	RED TRUFFLE AF916

Belmont Standard Maverick Vinyl Vibrant Color Selections **Note: Actual material colors may vary from printed color represented.**

YELLOW MV807	ORANGE MV808	GYPSY RED MV809	RED BARN MV811
		USE MATERIAL SWATCH CARD OR SAMPLE TO CONFIRM COLOR CHOICE	
GREEN MV816	BLUE MV817		

Upholstery Standard Upholstery Styles and Materials

Q5500
Quolis®
Upholstery



Upholstery {	Q55SN	Q55PN	Q55SW	Q55PW
	Seamless Narrow Back	Plush Narrow Back	Seamless Wide Backrest	Plush Wide Backrest
	Material: Vinyl or Ultraleather®			

Q3300
EVOGUE
Upholstery



Upholstery {	Q33SN	Q33PN	Q33SW	Q33PW
	Seamless Narrow Back	Plush Narrow Back	Seamless Wide Backrest	Plush Wide Backrest
	Material: Vinyl or Ultraleather®			

047
PRO III
Upholstery



Upholstery {	047
	Material: Vinyl or Ultraleather®

B50N
X-Calibur V Series
Upholstery



Upholstery {	NSSL	NPSSL	NSWB	NPWB
	Standard w/Slings	Plush w/Slings	Standard w/o Slings	Plush w/o Slings
	Material: Vinyl or Ultraleather®			

090
Doctor's
Stool
with
Upholstery



Upholstery {	090	090L
	Matl: Vinyl	Ultraleather®

091
Assistant's
Stool
with
Upholstery



Upholstery {	091/091R	091L/091RL
	Matl: Vinyl	Ultraleather®

Note: Actual material color may vary from printed color represented.

Upholstery New and Replacement Upholstery For Production Chairs and Stools

Model	Style	Material	Retail Price (\$)	
			Complete Set	Retail Cost
Q5500 Quolis®	Seamless, Narrow Back Style Upholstery	Std. Vinyl	Q55SN + color	\$1,890.00
		Ultraleather®	Q55SN + color	\$2,600.00
	Plush, Narrow Back Style Upholstery	Ultraleather®	Q55PN + color	\$2,600.00
		Seamless, Wide Backrest Style Upholstery	Std. Vinyl	Q55SW + color
	Ultraleather®		Q55SW + color	\$2,600.00
	Plush, Wide Backrest Style Upholstery	Ultraleather®	Q55PW + color	\$2,600.00
Q3300 Evogue	Seamless, Narrow Back Style Upholstery	Std. Vinyl	Q33SN + color	\$1,890.00
		Ultraleather®	Q33SN + color	\$2,600.00
	Plush, Narrow Back Style Upholstery	Ultraleather®	Q33PN + color	\$2,600.00
		Seamless, Wide Backrest Style Upholstery	Std. Vinyl	Q33SW + color
	Ultraleather®		Q33SW + color	\$2,600.00
	Plush, Wide Backrest Style Upholstery	Ultraleather®	Q33PW + color	\$2,600.00
B50N X-Calibur V Series	Standard without Slings	Std. Vinyl	NSWB + color	\$1,890.00
		Ultraleather®	NSWB + color	\$2,600.00
	Plush without Slings	Ultraleather®	NPWB + color	\$2,600.00
		Standard with Slings (Removable Slings)	Std. Vinyl	NSSL + color
	Ultraleather®		NSSL + color	\$2,600.00
	Plush with Slings (Removable Slings)	Ultraleather®	NPSL + color	\$2,600.00
047 PROIII	Wing Style	Std. Vinyl	047 + color	\$2,310.00
		Ultraleather®	047L + color	\$3,150.00
Stools	090 Dr. Stool	Std. Vinyl	09098024 + color	\$510.00
	090L Dr. Stool	Ultraleather®	09098024 + color	\$690.00
	091, 091R Asst. Stool	Std. Vinyl	09198025 + color	\$660.00
	091L, 091RL Asst. Stool	Ultraleather®	09198025 + color	\$840.00

Non-Standard Upholstery Policy:

Chair Upholstery: \$450 upcharge (non-standard Allante Free, Maverick, Ultraleather® Original & Pearlized Only).

Stool Upholstery: \$300 upcharge (non-standard Allante Free, Maverick, Ultraleather® Original & Pearlized Only).

Retail Price (\$)											
Headrest Cushion Only	Retail Cost	Backrest Cushion Only	Retail Cost	Seat Cushion Only	Retail Cost	Legrest (PRO III Only)	Retail Cost	Removable Sling Set Only (Includes Left & Right)	Retail Cost	Individual Arm Rest (Cost Each)	Retail Cost
Q35SHR + color	\$210.00	Q55SNBK + color	\$740.00	Q35SST + color	\$1,370.00					Q55SARM + color	\$210.00
Q35SHR + color	\$260.00	Q55SNBK + color	\$950.00	Q35SST + color	\$1,580.00					Q55SARM + color	\$210.00
Q55PHR + color	\$260.00	Q55PNBK + color	\$1,050.00	Q55PST + color	\$1,680.00					Q55PARM + color	\$210.00
Q35SHR + color	\$210.00	Q55SWBK + color	\$740.00	Q35SST + color	\$1,370.00					Q55SARM + color	\$210.00
Q35SHR + color	\$260.00	Q55SWBK + color	\$950.00	Q35SST + color	\$1,580.00					Q55SARM + color	\$210.00
Q55PHR + color	\$260.00	Q55PWBK + color	\$1,050.00	Q55PST + color	\$1,680.00					Q55PARM + color	\$210.00
Q35SHR + color	\$210.00	Q33SNBK + color	\$740.00	Q35SST + color	\$1,370.00						
Q35SHR + color	\$260.00	Q33SNBK + color	\$950.00	Q35SST + color	\$1,580.00						
Q33PHR + color	\$260.00	Q33PNBK + color	\$1,050.00	Q33PST + color	\$1,680.00						
Q35SHR + color	\$210.00	Q33SWBK + color	\$740.00	Q35SST + color	\$1,370.00						
Q35SHR + color	\$260.00	Q33SWBK + color	\$950.00	Q35SST + color	\$1,580.00						
Q33PHR + color	\$260.00	Q33PWBK + color	\$1,050.00	Q33PST + color	\$1,680.00						
B20HR + color	\$210.00	SW0SBK + color	\$840.00	NSST + color	\$1,050.00						
B20HR + color	\$320.00	SW0SBK + color	\$1,050.00	NSST + color	\$1,260.00						
B20HR + color	\$320.00	PW0SBK + color	\$1,050.00	NPST + color	\$1,370.00						
B20HR + color	\$210.00	SWSLBK + color (Sling Sets sold separately)	\$840.00	NSST + color	\$1,050.00			B99SLG + color	\$200.00		
B20HR + color	\$320.00	SWSLBK + color (Sling Sets sold separately)	\$1,050.00	NSST + color	\$1,260.00			B99SLG + color	\$390.00		
B20HR + color	\$320.00	PWSLBK + color (Sling Sets sold separately)	\$1,050.00	NPST + color	\$1,370.00			B99SLG + color	\$390.00		
047HR + color	\$210.00	047BK + color	\$950.00	047ST + color	\$1,580.00	047RF5607 only	\$210.00				
047HR + color	\$320.00	047BK + color	\$1,160.00	047ST + color	\$1,890.00	047RF + color	\$320.00				
		09098018 + color	\$270.00	09098017 + color	\$300.00						
		09098018 + color	\$370.00	09098017 + color	\$420.00						
		09098018 + color	\$270.00	09198029 + color	\$300.00					09198019 + color	\$320.00
		09098018 + color	\$370.00	09198029 + color	\$420.00					09198019 + color	\$420.00

Upholstery Replacement Upholstery Sets For Non-Production Legacy Chairs and Stools

Model	Style	Material	Retail Price (\$)	
			Complete Set	Retail Cost
05000 Quolis®	Seamless with Slings	Ultraleather®	QSS + color	\$2,600.00
	Plush With Slings	Ultraleather®	QPS + color	\$2,600.00
	Seamless, Wide Back	Ultraleather®	QSW + color	\$2,600.00
		Std. Vinyl	QSW + color	\$1,890.00
	Plush, Wide Back	Ultraleather®	QPW + color	\$2,600.00
B50 X-Calibur V	Standard without Slings	Std. Vinyl	SWOS + color	\$1,890.00
		Ultraleather®	SWOS + color	\$2,600.00
	Plush without Slings	Ultraleather®	PWOS + color	\$2,600.00
	Standard with Slings (Removable Slings)	Std. Vinyl	SWSL + color	\$1,890.00
		Ultraleather®	SWSL + color	\$2,600.00
Plush with Slings (Removable Slings)	Ultraleather®	PWSL + color	\$2,600.00	
037N PROII	Wing Style	Std. Vinyl	037N + color	\$2,310.00
		Ultraleather®	037N + color	\$3,150.00
B20N, B20+ & B20 X-Calibur	Benchmark	Std. Vinyl	NU + color	\$1,890.00
		Ultraleather®	ULNU + color	\$2,600.00
	Sling Style	Std. Vinyl	SL + color	\$1,890.00
		Ultraleather®	ULSL + color	\$2,600.00
Elite	Ultraleather®	ULHP + color	\$2,600.00	
Stools	80B Dr. Stool	Std. Vinyl	3102852 + color	\$530.00
	80BL Dr. Stool	Ultraleather®	3102852 + color	\$700.00
	81B, 81BR Asst. Stool	Std. Vinyl	3102853 + color	\$680.00
	81BL, 81BRL Asst. Stool	Ultraleather®	3102853 + color	\$860.00

Non-Standard Upholstery Policy:

Chair Upholstery: \$450 upcharge (non-standard Allante Free, Maverick, Ultraleather® Original & Pearlized Only).

Stool Upholstery: \$300 upcharge (non-standard Allante Free, Maverick, Ultraleather® Original & Pearlized Only).

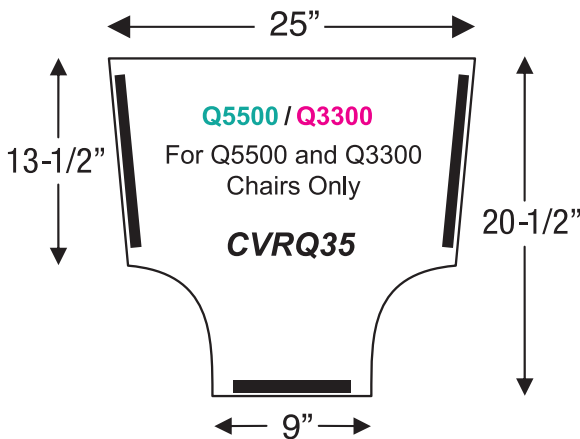
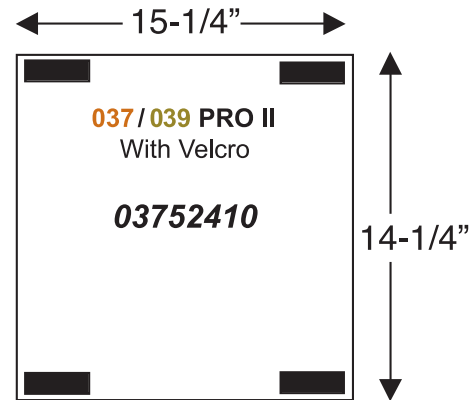
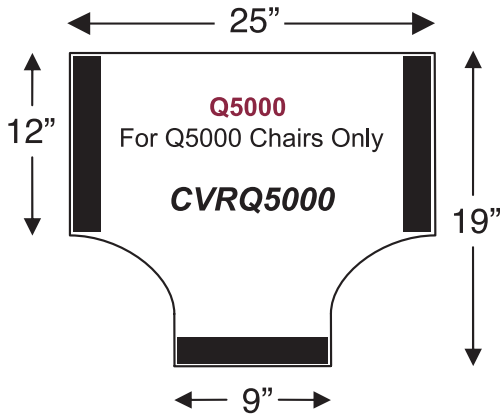
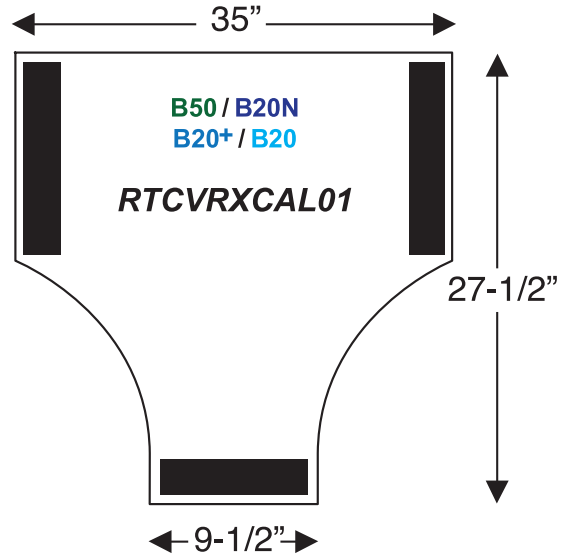
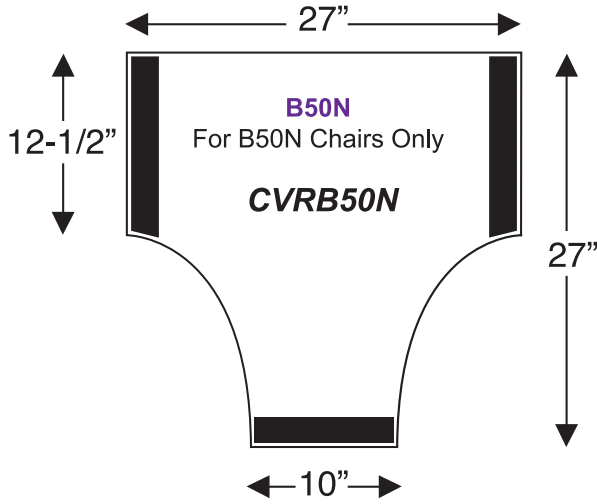
Retail Price (\$)											
Headrest Cushion Only	Retail Cost	Backrest Cushion Only	Retail Cost	Seat Cushion Only	Retail Cost	Legrest (PRO II Only)	Retail Cost	Removable Sling Set Only (Includes Left & Right)	Retail Cost	Individual Arm Rest (Cost Each)	Retail Cost
Q50HR + color	\$260.00	QSSBK + color	\$950.00	QSSST + color	\$1,590.00					Q50ARM + color	\$210.00
Q50HR + color	\$260.00	QPSBK + color	\$1,050.00	QPSST + color	\$1,680.00					Q50ARM + color	\$210.00
Q50HR + color	\$260.00	QSWBK + color	\$950.00	QSSST + color	\$1,590.00					Q50ARM + color	\$210.00
Q50HR + color	\$210.00	QSWBK + color	\$740.00	QSSST + color	\$1,370.00					Q50ARM + color	\$210.00
Q50HR + color	\$260.00	QPWBK + color	\$1,050.00	QPSST + color	\$1,680.00					Q50ARM + color	\$210.00
B20HR + color	\$210.00	SWOSBK + color	\$840.00	SWST + color	\$1,050.00						
B20HR + color	\$320.00	SWOSBK + color	\$1,050.00	SWST + color	\$1,260.00						
B20HR + color	\$320.00	PWOSBK + color	\$1,050.00	PWST + color	\$1,370.00						
B20HR + color	\$210.00	SWSLBK + color (Sling Sets sold separately)	\$840.00	SWST + color	\$1,050.00			B99SLG + color	\$200.00		
B20HR + color	\$320.00	SWSLBK + color (Sling Sets sold separately)	\$1,050.00	SWST + color	\$1,260.00			B99SLG + color	\$390.00		
B20HR + color	\$320.00	PWSLBK + color (Sling Sets sold separately)	\$1,050.00	PWST + color	\$1,370.00			B99SLG + color	\$390.00		
037NHR + color	\$210.00	037NBK + color	\$950.00	037NST + color	\$1,580.00	037LR + color	\$400.00				
037NHR + color	\$320.00	037NBK + color	\$1,160.00	037NST + color	\$1,890.00	037LR + color	\$510.00				
B20HR + color	\$210.00	NUBK + color	\$840.00	NUST + color	\$1,050.00						
B20HR + color	\$320.00	ULNUBK + color	\$1,160.00	ULNUST + color	\$1,370.00						
B20HR + color	\$210.00	SLBK + color	\$840.00	SLST + color	\$1,050.00						
B20HR + color	\$320.00	ULSLBK + color	\$1,050.00	ULSLST + color	\$1,370.00						
B20HR + color	\$320.00	ULHPBK + color	\$1,050.00	ULHPST + color	\$1,370.00						
		3102842 + color	\$270.00	3102844 + color	\$300.00						
		3102842 + color	\$370.00	3102844 + color	\$420.00						
		3102842 + color	\$270.00	3102844 + color	\$300.00					3102850 + color	\$320.00
		3102842 + color	\$370.00	3102844 + color	\$420.00					3102850 + color	\$420.00

Upholstery Replacement Upholstery

Legrest Protectors for Belmont Dental Chairs

Retail \$115.00

- One Legrest Protector is included with each complete set of chair upholstery and with chair seat cushion upholstery.
- Sizes may vary slightly. May not fit upholstery manufactured by aftermarket suppliers.
- Call factory to check availability of legrest protectors for discontinued upholstery styles.



Dental Chairs & Stools



DENTAL CHAIRS & STOOLS

Dental Chairs

047



PP. 10-11

Q5500



PP. 12-13

Q3300



PP. 14-15

B50N



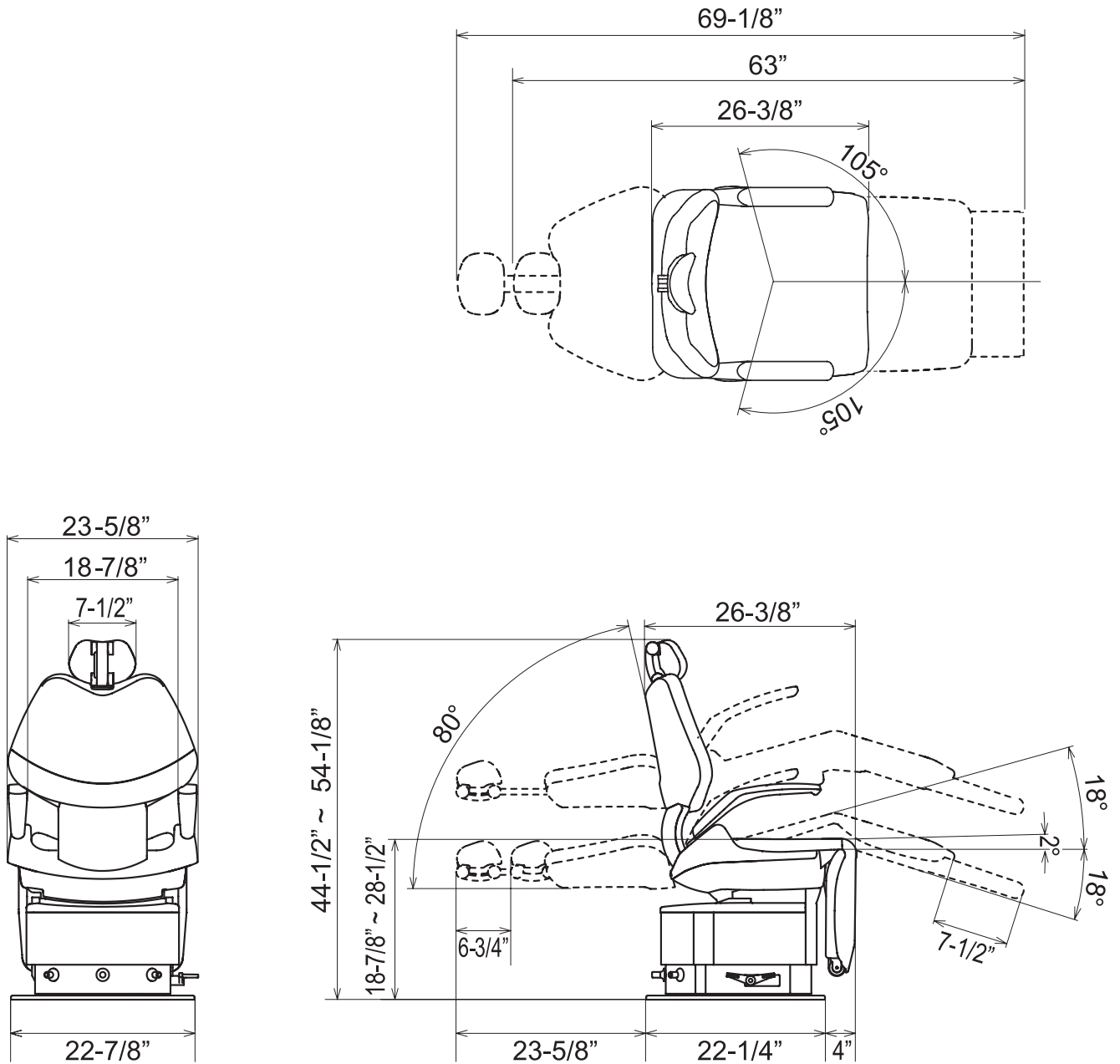
PP. 16-17

Dental Stools



PP. 18-19

PRO III Model 047 Dimensions



Dental Chair PRO III 047

MODEL: 047

\$15,020

(Chair Base Retail Without Upholstery Set)



047AC Upholstered Arm Rest Cover Set

Model 047

• Standard Features

Folding Legrest with Retractable Footrest	•
Articulating Dual Axis Headrest	•
Swing-Away Armrests	•
Telescoping Chair Base Covers	•
Steel Base Plate with 7 foot long Stationary Power Cord	•
Up to 210° Left to Right Seat Rotation with Locking Foot Pedal	•
3 Built-in Foot Control Levers: Center Lever selects between 3 programmable positions* and Auto-return; two side levers adjust chair back / base position	•
5 year warranty (chair base); 1 year warranty on upholstery	•

*For additional chair programming capabilities, please call factory.

▪ Options

***Chair Base MUST be anchored to the floor**

Retail

CAB47EVGKIT	*Used for attaching EVOGUE Cuspidors	\$1,170	▪
CAB21KIT	*Used for attaching X-Calibur Cuspidors (Can also be used to mount Non-Belmont OTP units.)	\$1,170	▪
LMKB47KIT	*Used for mounting Post Mounted Lights. Kit includes 9047B Chair Adapter, with Chair Tilt Plate Covers and 8482B Straight Light Post	\$1,085	▪

• Upholstery Set Choices

Wing-Back Style Upholstery, Standard Belmont Vinyl Colors	Wing-Back Style Upholstery, Standard Belmont Ultraleather® Colors
\$2,310	\$3,150
Roll-Up Foot Rest in: Ultraleather® 5607 - Raven Wing ONLY	Roll-Up Foot Rest in: Matching Ultraleather® - Upholstery Color

• Non-Standard Upholstery Material Choices

Retail Upcharge

Non-Standard Ultraleather® (Original and Pearlized colors only)	\$450	•
Non-Standard vinyl colors (ALLANTE FFree and Maverick material only)	\$450	•

• Upholstered Arm Rest Covers for 047 PRO III Chairs

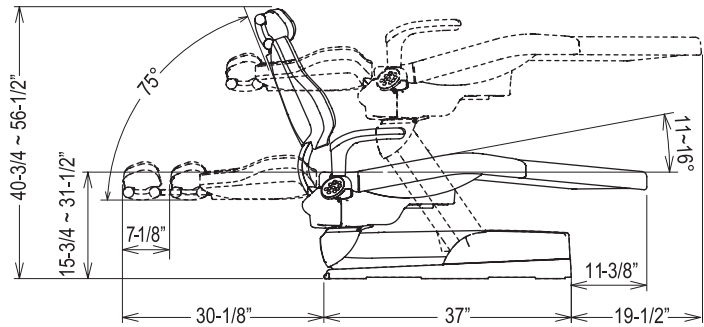
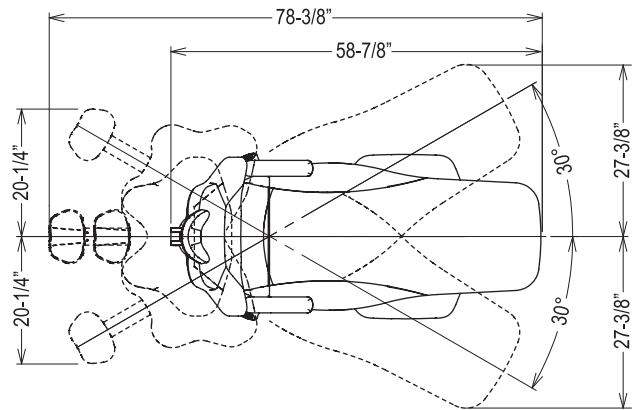
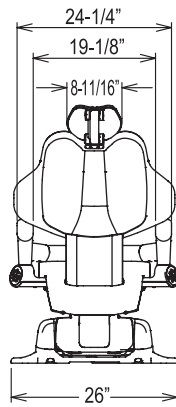
Retail (per set)

047AC (+Upholstery Color #, Page 2)	Standard Belmont ALLANTE FFree vinyl and Maverick or Ultraleather® colors	\$300	•
	Non-Standard Ultraleather® (Original and Pearlized colors only)	\$400	•
	Non-Standard vinyl colors (ALLANTE FFree and Maverick material only)	\$400	•

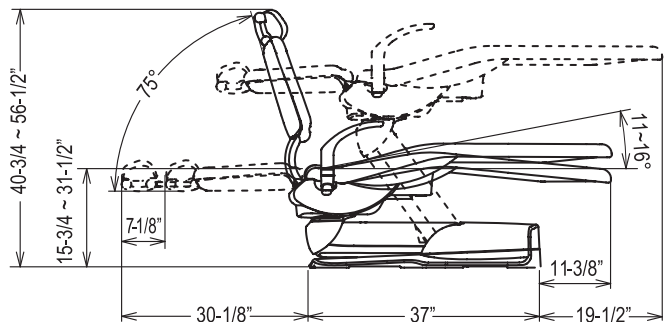
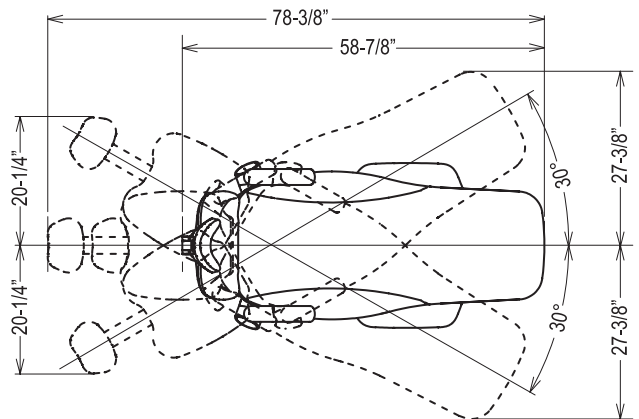
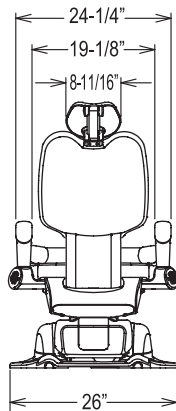
DENTAL CHAIRS & STOOLS

Quolis® Model Q5500 Dimensions

Wide Backrest Styles



Narrow Backrest Styles



Dental Chair Quolis® Q5500

Model Q5500 **\$13,130**
 (Chair Base Retail Without Upholstery Set)



Seamless Narrow Back Style Upholstery (Q55SN)

Model Q5500 **\$13,130**
 (Chair Base Retail Without Upholstery Set)



Plush Narrow Back Style Upholstery (Q55PN)

Model Q5500 **\$13,130**
 (Chair Base Retail Without Upholstery Set)



Seamless Wide Backrest Style Upholstery (Q55SW)

Model Q5500 **\$13,130**
 (Chair Base Retail Without Upholstery Set)



Plush Wide Backrest Style Upholstery (Q55PW)

Model Q5500	
• Standard Features	
Shockless Soft Start/Soft Stop Movement	•
Articulating Dual Axis Headrest with ergonomically shaped mechanism to fit operators hand	•
Thin Backrest for excellent operator access to the patient oral cavity	•
Synchronous Backrest and Legrest Recline Motion enhances patient comfort	•
Swing Out Armrests (130°) for convenient patient entry/exit	•
60° Left to Right Seat Rotation	•
Integrated Armrest Touchpads for seat positioning, preset positions and rotation release	•
Aluminum Base with cutaways for improved patient access	•
5 Year Warranty (chair base); 1 year warranty on upholstery	•

• Upholstery Style Choices		Upholstery Set Retail Prices		•
		Standard Belmont Vinyl Colors	Standard Belmont Ultraleather® Colors	
Q55SN	Seamless Narrow Back	\$1,890	\$2,600	•
Q55PN	Plush Narrow Back	(NOT AVAILABLE)	\$2,600	•
Q55SW	Seamless Wide Backrest	\$1,890	\$2,600	•
Q55PW	Plush Wide Backrest	(NOT AVAILABLE)	\$2,600	•

• Non-Standard Upholstery Material Choices		Retail Upcharge	•
Non-Standard Ultraleather® (Original and Pearlized colors only)		\$450	•
Non-Standard vinyl colors (ALLANTE FRee and Maverick material only)		\$450	•

PLEASE NOTE: FOOT CONTROL NOT INCLUDED WITH CHAIR BASE

▪ Options		Retail	▪
1G03L3A0	Foot Control	\$410	▪



Seat Positioning Switches are Integrated into Armrests



Ergonomically Designed Dual Axis Headrest



Padded Armrests for Added Patient comfort Headrest

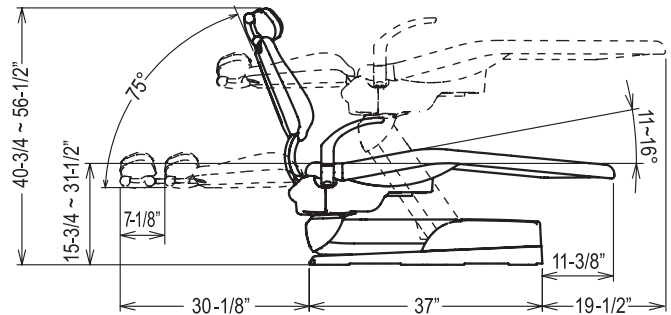
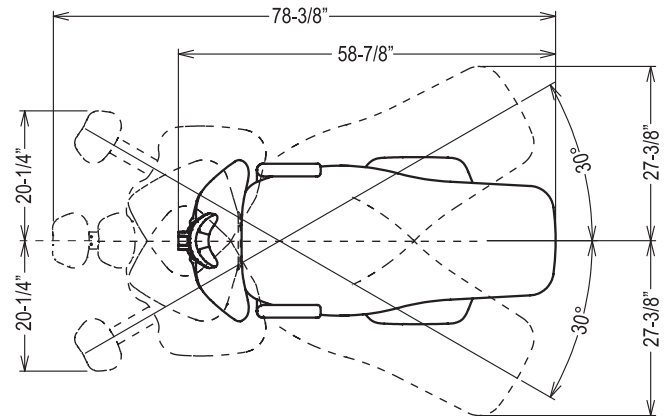
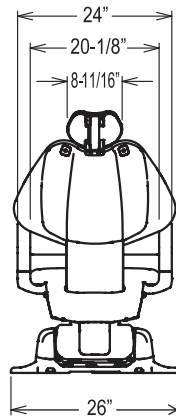


Optional Foot Control

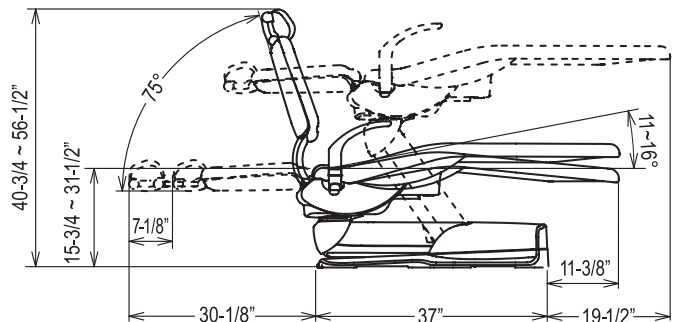
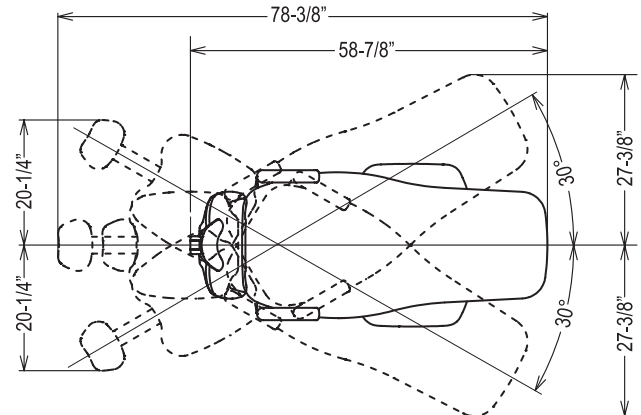
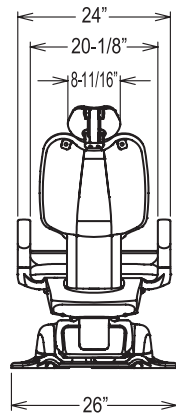
DENTAL CHAIRS & STOOLS

EVOGUE Model Q3300 Dimensions

Wide Backrest Styles



Narrow Backrest Styles



Dental Chair EVOGUE Q3300

Model Q3300 **\$9,240**
 (Chair Base Retail Without Upholstery Set)



Seamless Narrow Back Style Upholstery (Q33SN)

Model Q3300 **\$9,240**
 (Chair Base Retail Without Upholstery Set)



Plush Narrow Back Style Upholstery (Q33PN)

Model Q3300 **\$9,240**
 (Chair Base Retail Without Upholstery Set)



Seamless Wide Backrest Style Upholstery (Q33SW)

Model Q3300 **\$9,240**
 (Chair Base Retail Without Upholstery Set)



Plush Wide Backrest Style Upholstery (Q33PW)

Model Q3300	
• Standard Features	
Articulating Dual Axis Headrest with ergonomically shaped mechanism to fit operators hand	•
Thin Backrest for excellent operator access to the patient oral cavity	•
Synchronous Backrest and Legrest Recline Motion enhances patient comfort	•
Swing Out Armrests (130°) for convenient patient entry/exit	•
60° Left to Right Seat Rotation with Automatic Lock Release Backrest Switches	•
Seat Rotation Lock/Release Backrest Switches	•
Aluminum Base with Cutaways for improved patient access	•
5 Year Warranty (chair base); 1 year warranty on upholstery	•

• Upholstery Style Choices		Upholstery Set Retail Prices		•
		Standard Belmont Vinyl Colors	Standard Belmont Ultraleather® Colors	
Q33SN	Seamless Narrow Back	\$1,890	\$2,600	•
Q33PN	Plush Narrow Back	(NOT AVAILABLE)	\$2,600	•
Q33SW	Seamless Wide Backrest	\$1,890	\$2,600	•
Q33PW	Plush Wide Backrest	(NOT AVAILABLE)	\$2,600	•

• Upholstered Armrest Covers for Q33SW & Q33PW Upholstered Styles			Retail (per set)	For Q3300 Uphostery Styles:
Q33AC (+Uphostery Color # Page 2)	Standard Belmont ALLANTE FFree and Maverick material vinyl		\$300	Q33SW
	Non-Standard vinyl colors (ALLANTE FFree and Maverick material only)		\$400	Q33SW
	Standard Belmont Ultraleather® colors		\$300	Q33SW Q33PW
	Non-Standard Ultraleather® (Original and Pearlized colors only)		\$400	Q33SW Q33PW

• Non-Standard Upholstery Material Choices	Retail Upcharge	
Non-Standard Ultraleather® (Original and Pearlized colors only)	\$450	•
Non-Standard vinyl colors (ALLANTE FFree and Maverick material only)	\$450	•

PLEASE NOTE: FOOT CONTROL NOT INCLUDED WITH CHAIR BASE

• Options	Retail	
1G03L3A0 Foot Control	\$410	▪



Seat Rotation Swivel Lock/Release Switches Located on Backrest



Easy-To-Position Dual Axis Headrest



Optional Upholstered Armrest Covers for Q33SW & Q33PW Wide Back Upholstery



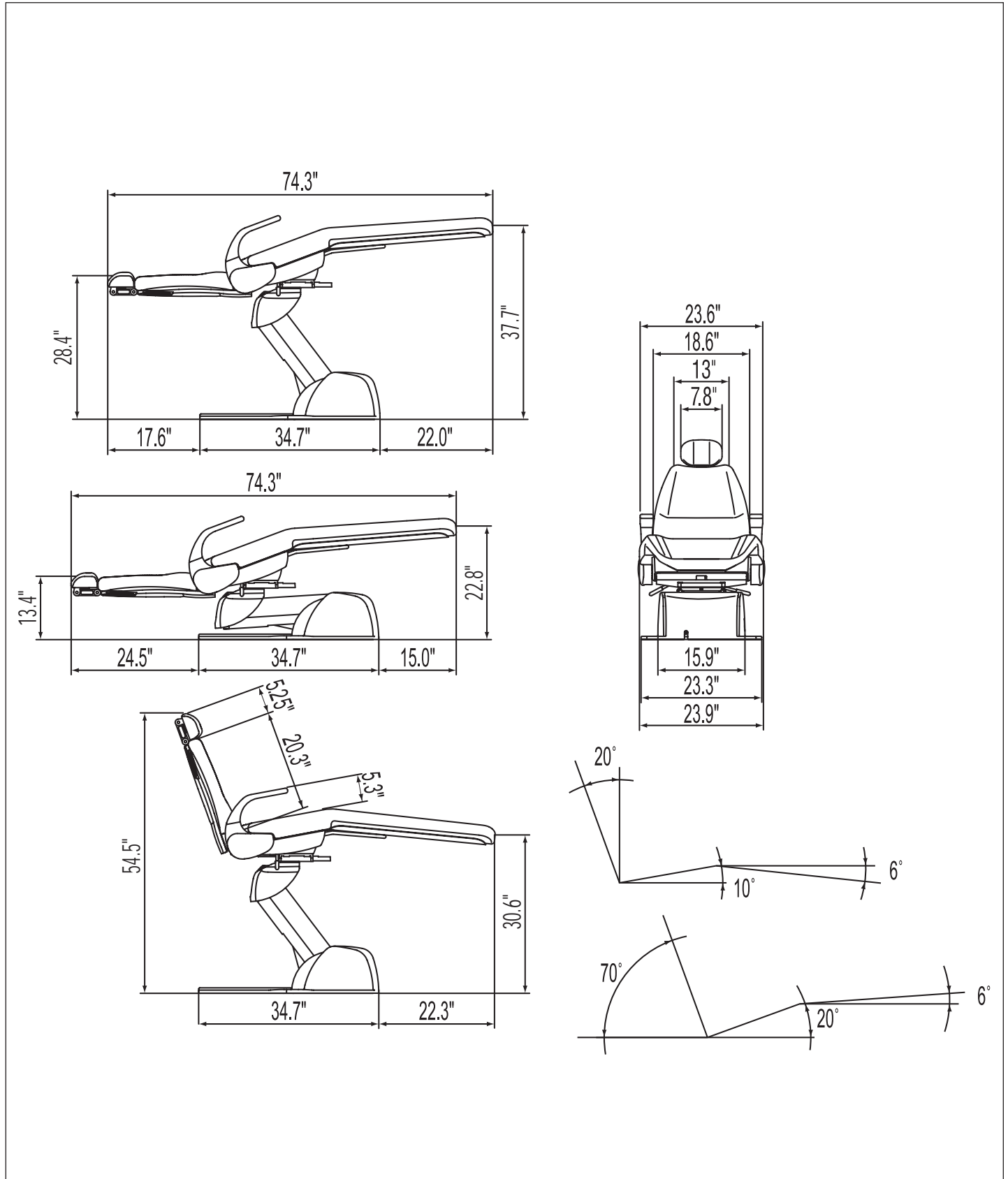
Optional Foot Control

DENTAL CHAIRS & STOOLS

Dental Chair B50N X-Calibur V Series

X-Calibur V Series Model B50N Dimensions

DENTAL CHAIRS & STOOLS



Dental Chair B50N X-Calibur V Series

Model B50N **\$7,730**
 (Chair Base Retail Without Upholstery Set)



Standard with Slings (NSSL)

Model B50N **\$7,730**
 (Chair Base Retail Without Upholstery Set)



Plush with Slings (NPSSL)

Model B50N **\$7,730**
 (Chair Base Retail Without Upholstery Set)



Standard without Slings (NSWB)

Model B50N **\$7,730**
 (Chair Base Retail Without Upholstery Set)



Plush without Slings (NPWB)

Model B50N	
• Standard Features	
Articulating Dual Axis Headrest	•
Narrow, Thin Backrest for Excellent Access to the Patient Oral Cavity	•
Swing-Away Armrests	•
Safety Shut-off Plate	•
Steel Base Plate with Rugged Injection Molded Top Covers	•
60° Left to Right Seat Rotation with Locking Lever	•
Built-in Chair Back Membrane Controls on Doctor's and Assistant's Side: Programmable Positions for Base Up/Down, Backrest Forward/Recline, and Programmable Auto-return Position	•
Foot Control with Manual Adjustment Disk and 4 Programmable Preset Switches (1, 2, Last Position and AutoReturn)	•
5 year warranty (chair base); 1 year warranty on upholstery	•

• Upholstery Style Choices		Retail Upcharge		
		Standard Belmont Vinyl Colors	Standard Belmont Ultraleather® Colors	
NSSL	Standard with Slings	\$1,890	\$2,600	•
NPSSL	Plush with Slings	NOT AVAILABLE	\$2,600	•
NSWB	Standard without Slings	\$1,890	\$2,600	•
NPWB	Plush without Slings	NOT AVAILABLE	\$2,600	•

• Non-Standard Upholstery Material Choices		Retail Upcharge
Non-Standard Ultraleather® (Original and Pearlized colors only)		\$450
Non-Standard vinyl colors (ALLANTE FFree and Maverick material only)		\$450

▪ Options		Retail
CMT5001	Chair mounted touchpad (2 programmable positions)	\$860

• Upholstered Armrest Covers for NSWB & NPWB Upholstery Styles		Retail (per set)	For B50N Upholstery Styles:
B50AC (+Upholstery Color #, Page 2)	Standard Belmont ALLANTE FFree, Maverick or Ultraleather® colors	\$300	NSWB
	Non-Standard Ultraleather® (Original and Pearlized colors only)	\$400	NSWB NPWB
	Non-Standard vinyl colors (ALLANTE FFree and Maverick material only)	\$400	NSWB



Dual Membrane Controls



Removable Slings



Foot Control

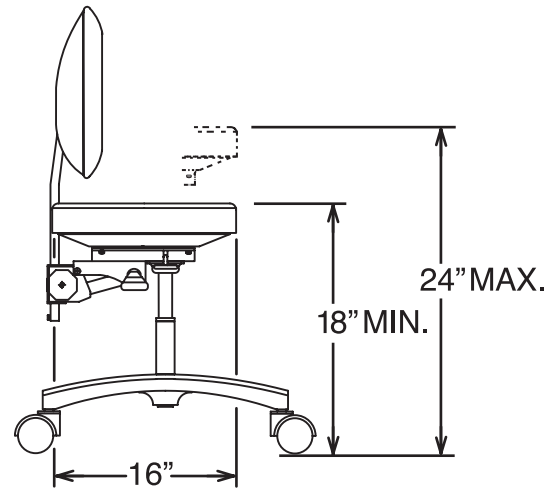
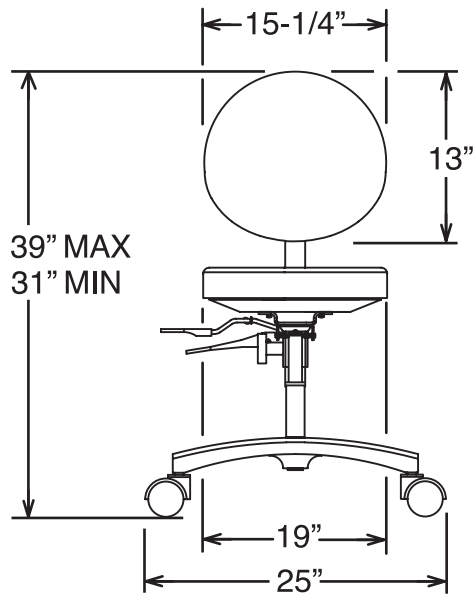


Optional Upholstered Armrest Covers for NSWB & NPWB Wide Back Upholstery

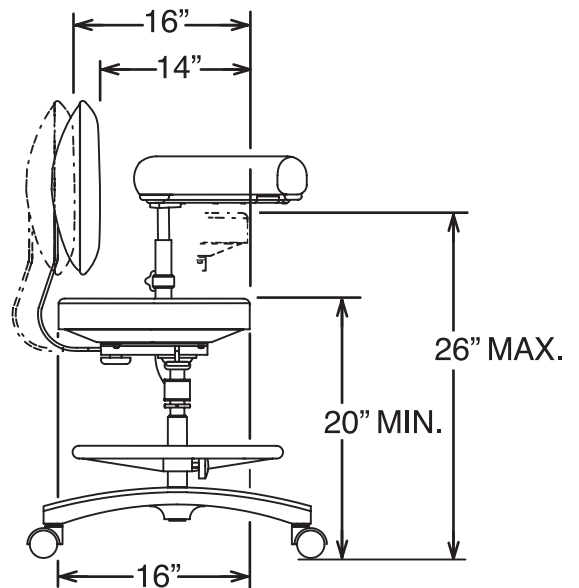
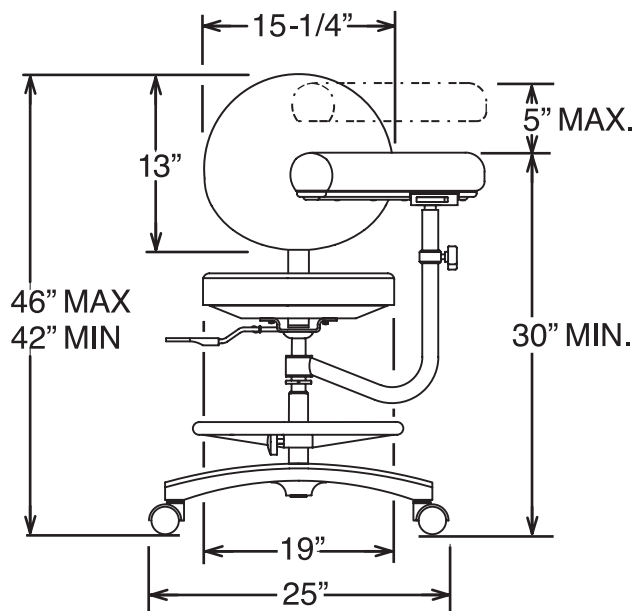
DENTAL CHAIRS & STOOLS

090 Doctor's Stool / 091 Assistant Stool Dimensions

090 Doctor's Stool



091 Assistant's Stool



Chairs & Stools

Quolis® Q5500 Chair



Evogue Q3300 Chair



Pro III 047 Chair



091 Stool



090 Stool



X-Calibur B50N Chair

DENTAL CHAIRS & STOOLS



Handpiece Fiber Optics



P. 22

Armrest Covers & Cabinet Accessories



P. 23

Touchpads & Wire Harnesses



PP. 24-25

Chair Adapters, Light Posts, Light Mounting Kits & J-Boxes

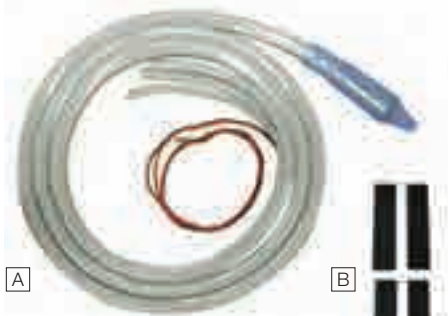


PP. 26-27

Bien Air-Bundles



P. 28



•Factory Installed into Delivery Systems

Model	Description	Retail
EVG00251	EVG Standard Single HP F.O. System- 6-Pin	\$1,270
EVG00271	EVG FLEX Style Single HP F.O. System- 6-Pin	
EVG00252	EVG Standard Two HP F.O. System- 6-Pin	\$1,525
EVG00272	EVG FLEX Style Two HP F.O. System- 6-Pin	

•Field Installed Kits

Model	Description	Retail
EVG00251KIT	EVG Standard Single HP F.O. System- 6-Pin	\$1,140
EVG00271KIT	EVG FLEX Style Single HP F.O. System- 6-Pin	
EVG00252KIT	EVG Standard Two HP F.O. System- 6-Pin	\$1,410
EVG00272KIT	EVG FLEX Style Two HP F.O. System- 6-Pin	
BDS0025-1KIT	BDS Single HP F.O. System- 6-Pin	\$1,140
BDS0025-2KIT	BDS Two HP F.O. System- 6-Pin	\$1,410

•Standard Features

Light Control Board with Digital Display and Programming	.	.	.
Regulated Voltage and current for Lamp and LED Lights	.	.	.
Power Source: 120VAC / 9VDC, 2.2 Amps	.	.	.
Individual Channel Adjustable Output: 2.5-4 VDC or 130-160mA	.	.	.
Individual Channel Adjustable Illumination Time Delay: 0-25 Seconds	.	.	.
6- Pin Fiberoptic hose with coupler	.	.	.
Power Supply Box and Components (for EVOGUE Units Only)	.	.	.

Replacement Components

Model	Description	Retail
BDSF0LC	Light Control	\$725
BDSF0TR	Transformer 120VAC / 9VDC, 2.2. Amps	\$130
BDSF0H6-7	Standard Asepsis F.O. Handpiece Hose, 7ft., Gray, 6 Pin	\$380
S2100305	EVG FLEX F.O. Handpiece Hose, Round, 7ft., Gray, 6 Pin	\$380

Kit Contents

EVG0025 (A-F)	BDS0025 (A-E)	A	6-pin F.O. Hose with Coupler (7ft.)	EVG0027 (B-G)
		B	2 pcs. Velcro tape (male), 2 pcs. Velcro tape (female)	
		C	Light Control	
		D	(2) 1/4" OD Collars, (2) 1/8" OD Collars, 10in. 1/8" OD tubing, (1) Tee, 1/8"x 1/16"x 1/8"	
		E	Transformer	
		F	Power Supply Box and Components (for EVOGUE Units Only)	
		G	EVG FLEX F.O. Handpiece Hose, Round, 7ft., Gray, 6 Pin, (4) Metal collars, (4) Barbs, (4) Plastic Washers	

Accessories Armrest Covers & Cabinet Accessories

Model Q33AC
(+ Upholstery Color #)



• Upholstered Armrest Covers for Q33SW & Q33PW Upholstered Styles		Retail (per set)	For Q3300 Uphostery Styles:
Q33AC (+Uphostery Color # Page 2)	Standard Belmont ALLANTE FFree and Maverick vinyl colors	\$300	Q33SW
	Non-Standard vinyl colors (ALLANTE FFree and Maverick material only)	\$400	Q33SW
	Standard Belmont Ultraleather® colors	\$300	Q33SW Q33PW
	Non-Standard Ultraleather® (Original and Pearlized colors only)	\$400	Q33SW Q33PW

Model B50AC
(+ Upholstery Color #)



• Upholstered Armrest Covers for NSWB & NPWB Upholstery Styles		Retail (per set)	For B50N Uphostery Styles:
B50AC (+Upholstered Color #, Page 2)	Standard Belmont ALLANTE FFree, Maverick and Ultraleather® colors	\$300	NSWB
	Non-Standard Ultraleather® (Original and Pearlized colors only)	\$400	NSWB NPWB
	Non-Standard vinyl colors (ALLANTE FFree and Maverick material only)	\$400	NSWB

Model 047AC
(+ Upholstery Color #)



• Upholstered Arm Rest Covers for 047 PRO III Chairs		Retail (per set)	
047AC (+Upholstery Color #, Page 2)	Standard Belmont ALLANTE FFree vinyl, Maverick or Ultraleather® colors	\$300	•
	Non-Standard Ultraleather® (Original and Pearlized colors only)	\$400	•
	Non-Standard vinyl colors (ALLANTE FFree and Maverick material only)	\$400	•

Model 90174 **\$470**



Model 90174
Description
Cabinet Mounted Air/Water Quick Disconnect Panel with Tubing
• Kit Contents
Master On/Off Switch
3/8" Air Quick Disconnect
1/4" Water Quick Disconnect
Water Outlet Flow Control Adjustment
Supply Tubing included

Model 90055 **\$530**



Model 90055	
Description	
Cabinet Mounted Bottled Water System	
• Kit Contents	
Master On/Off Switch	
Water Bottle Manifold	
1 Liter Water Bottle	
Universal Mounting Bracket	
Mounting Hardware	
▪ Options	Retail
90060 City/ Bottle Selector Switch Kit	\$180

Accessories Touchpads & Wire Harnesses For Belmont Chairs

Touchpad For Attaching On Belmont B50N & B50 Chairs						
For Attaching to Chairs	Description	Touchpad Model	Retail	5 Foot Wire Harness p/n	Retail	Total Retail
B50N & B50	Two Program Touchpad, Chair Mounted	CMT5001	\$860	1A05S7A0	(included w/chair)	\$860
<i>NOTE: Please check with Belmont for touchpad availability for older chair models</i>						

Model CMT5001 \$860



Touchpads For Attaching On X-Calibur (BDS) Chair Mounted Units That Are Mounted On Belmont Chairs										
For BDS/BDU Units Mounted on:	Description	Touchpad Model	Retail	5 Foot Wire Harness	Retail	Splitter Wire Harness	Retail	Splitter Wire Harness	Retail	Total Retail
Q5500 & Q3300 Chairs	Two Program Touchpad, Unit Mounted	UMT0016	\$820	1A05S7A0	\$165					\$985
B50N & B50 Chairs	Two Program Touchpad, Unit Mounted	UMT0016	\$820	1A05S7A0	(included w/chair)					\$820
B20N & B20+ Chairs	Two Program Touchpad, Unit Mounted	UMT0016	\$820	1A05S7A0	\$165					\$985

Model UMT0016 \$820



Accessories Touchpads & Wire Harnesses For Belmont Chairs

Touchpads for Attaching To Non-Belmont Units That Are Mounted on Belmont Chairs

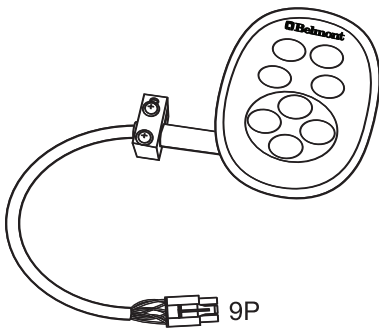
For Non-Belmont Units Mounted on:	Description	Touchpad Model	Retail	15 Foot Wire Harness	Retail	Splitter Wire Harness	Retail	Splitter Wire Harness	Retail	Total Retail
B50N, B50, B20N and B20+ Chairs	Two Program Touchpad, Unit Mounted	UMT0016	\$820	1P01S2A0	\$175					\$995

Model UMT0016 \$820



Kits For Connecting Belmont Chairs To Remotely Mounted Touchpads

Kit Model	Description	Retail
TPADKIT15FT	Touchpad Kit With 15 FT Wire Harness, For Q5500, Q3300, B50N Chairs	\$965
TPADKIT26FT	Touchpad Kit With 26 FT Wire Harness s, For Q5500, Q3300, B50N Chairs	\$1,070



Wire Harness Distance:
Touchpad To Chair Base PCB



Chair Adapters

Description

For B50N Chairs

Model CAB21

\$1,065



Used for attaching X-Calibur OTP units (Can also be used to mount Non-Belmont OTP units.)

Model BDSSMB20

\$455



EVOGUE and X-Calibur left-right Swing units

Model 9495B

\$510



Used for attaching 2" O.D. posts to B50N chairs

Model LMKB21KIT

\$880



9495B chair adapter + 8482B straight light post

For 047 Chairs (NOTE: Chair Base **MUST be anchored to the floor.)**

Model 9047B

\$715



Used for attaching 2" O.D. posts to 047 chairs

Model CAB21KIT

\$1,170



Used for attaching X-Calibur OTP units to 047 chairs (Can also be used to mount Non-Belmont OTP units.)

Model CAB47EVGKIT

\$1,170



Used for attaching EVOGUE OTP units to 047 chairs

Model LMKB47KIT

\$1,085



9047B chair adapter for 047 chairs + 8482B straight light post

Accessories

Chair Adapters, Chair J-Boxes, Light Posts & Light Mounting Kits

Chair Adapters

Description

For Quolis® and Evogue Chairs

Model CAB5001KIT **\$1,220**



Used for attaching X-Calibur OTP units. (Can also be used to mount Non-Belmont OTP units.)

— (NOT FOR EVOGUE UNITS) —

Model BDSSMB5001KIT **\$725**



Used for attaching X-Calibur left-right Swing units

— (NOT FOR EVOGUE UNITS) —

Straight Light Posts

Description

Model BDS0012 **\$410**



24" X 2" O.D. Straight light post. For attaching AL991R, AL101R, AL301R or other post mounted lights to X-Calibur OTP units ONLY. (Unit must have FHATA18B0 to attach post)

Model EVG0012 **\$610**



43"L X 2" O.D. straight light post. For attaching post mounted lights to EVOGUE OTP units

Model 8482B **\$375**



48"L X 2" O.D. straight light post. For attaching post mounted lights to CAB21, 9495, 9047B. CAB21KIT and CAB5001KIT ADAPTERS

J-Boxes

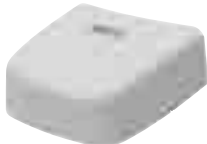
Description

Model AU-HV5950 **\$650**



Deluxe Contoured J-Box for Quolis® and Evogue Chairs

Model AU-HV3950 **\$480**



Evogue Contoured J-Box for Quolis® and EVOGUE Chairs

Model JB004 **\$305**



X-Calibur Standard J-Box (15" X 15" X 6")

Electric Motor Bundle / Field Installed



Optima MX2 Plus INT Pro Motor System with DMX3 Controller Board



- 1:1 Straight Attachment, Ext Spray
- 1:1 Contra Angle, L Classic Int Spray Fiber Optic
- 1:5 Contra Angle, L Classic Int Spray Fiber Optic

EM-BUNDLE

Electric Motor Bundle with Motor System Field Installation Kit

\$10,175

Air Motor Bundle / Field Installed



Aquila Air Motor w/ Fixed Back End



- 1:1 Straight Attachment, Ext Spray
- 1:1 Contra Angle, Classic Int Spray Non-Fiber Optic
- Air Driven High Speed. Bora 2 LK Attachment
- KaVo MULTIflex LED Coupler, 6-Pin

AM-BUNDLE

Air Motor Bundle

\$4,000

Evogue Delivery Systems



Traditional Style & FLEX Continental Styles

Stand-Alone Monitor Swing Arms

Over-The-Patient Delivery

Single Swing Arm Delivery

Dual Swing Arm Delivery



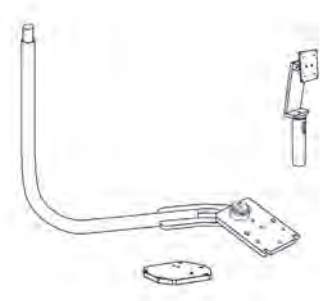
PP. 32-37



PP. 38-41



PP. 42-46



P. 47

Chair Mounted Delivery Systems EVOGUE

Selection of Holder Locations For Factory Installed Options

When ordering EVOGUE delivery systems with factory installed options please identify option location at the time of order placement.

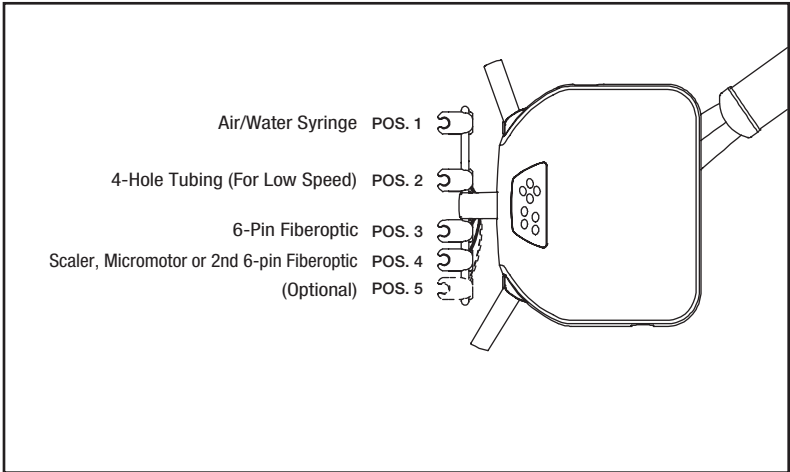
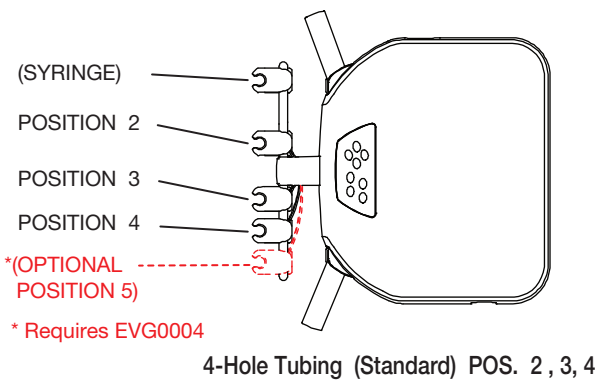
This will assist Belmont with meeting an on-time ship date for customer orders.

Traditional Style Doctor Control

FACTORY INSTALLED OPTIONS:

- 6-pin Fiberoptic
- Scaler
- Micromotor

! FACTORY DEFAULT LOCATIONS FOR OPTIONS IF NOT SPECIFIED AT TIME OF ORDER PLACEMENT !

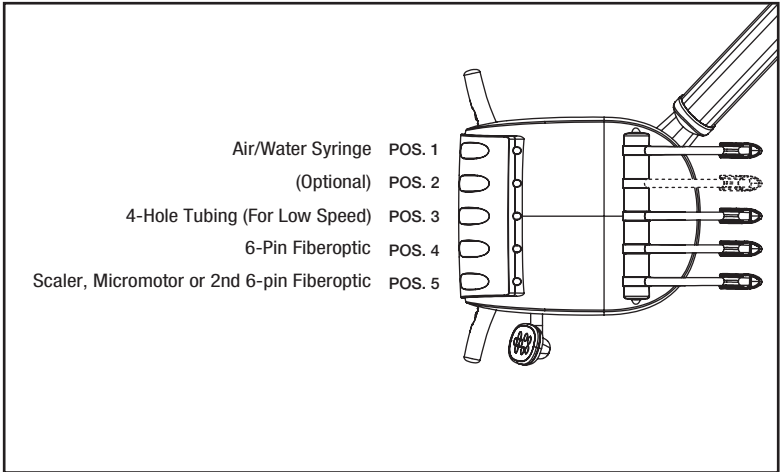
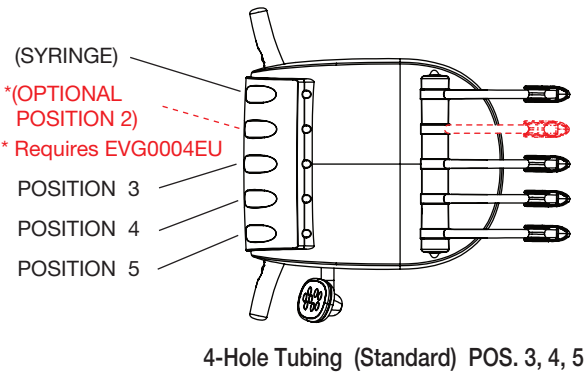


FLEX Continental Style Doctor Control

FACTORY INSTALLED OPTIONS:

- 6-pin Fiberoptic
- Scaler
- Micromotor

! FACTORY DEFAULT LOCATIONS FOR OPTIONS IF NOT SPECIFIED AT TIME OF ORDER PLACEMENT !





Traditional Left-Right Delivery With Light

Model	Description	Retail
EVG3070D	Traditional Left-Right Style Delivery	\$8,190
EVG3370SQ	Doctor's Dual Swing Arm Assembly With Curved Light Post	\$2,790
AL120E	Bel-Nova LED Light Assembly	\$4,250
Retail Subtotal:		\$15,230

ADD Optional Assistant Instrument Vac Pac

Model	Description	Retail
QDU5800	Assistant's Vac Pac With Touchpad for Q5500 & Q3300 Chairs	\$3,570
Retail Subtotal:		\$18,800

Evogue / Q5500 Package A.

Left-Right Delivery and Light, Vac Pac & Q5500 Chair

Model	Description	Retail
Q5500	Quolis® Dental Chair Base	\$13,130
Q55PW5607	Plush Wide Backrest Upholstery, Ultra-leather Raven Wing Color	\$2,600
Package A. Retail Total:		\$34,530



FLEX Continental OTP Delivery

Model	Description	Retail
EVG3020D	FLEX Continental Style OTP Delivery	\$10,920
AU-HV3100C	Post Mounted Utility Assembly With Cuspidor & Assistant's Instruments	\$5,250
AU-HV3902	Chair Adapter Kit For Q5500 & Q3300 Chairs	\$650
Retail Subtotal:		\$16,820

ADD Optional Curved Post Light

Model	Description	Retail
AU-HV3908	Curved Light Post Assembly	\$630
AL120E	Bel-Nova LED Light Sub-Assembly	\$4,250
Retail Subtotal:		\$21,700

Evogue / Q3300 Package B.

OTP Dr.-Asst. Delivery With Cuspidor, Light & Q3300 Chair

Model	Description	Retail
Q3300	EVOGUE Dental Chair Base	\$9,240
Q33SWAF918	Seamless Wide Backrest Upholstery, Standard INK Vinyl Color	\$1,890
Package B. Retail Total:		\$32,830

STEP FOUR (OPTIONAL) A. Select a Straight Light Post and B. Straight Post Mounted Light

A. Order Straight Post Assembly

EVG0012

EVOGUE
Straight Light Post
(For AL991, 101 & 301 Lights)

\$610

B. Select a Straight Post Mounted Light

AL991

Bel-Halo LED
Post Mount Light

AL101

Bel-Nova LED
Post Mount Light

AL301C

Clesta LED
Post Mount Light

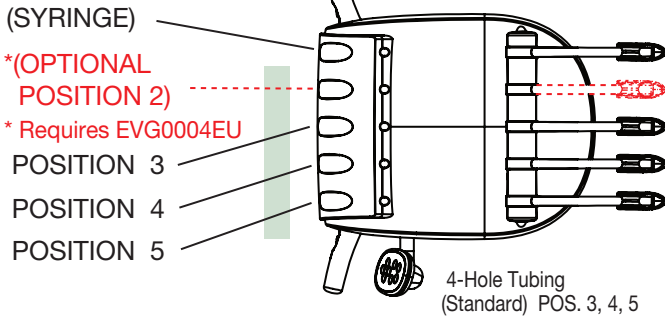
\$3,930

\$4,780

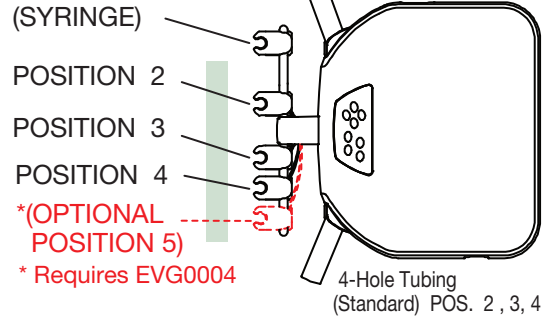
\$5,670

STEP FIVE Configure Your Delivery For Factory Installed Options

FLEX Continental Style



Traditional Style



• Factory Installed Options For EVOGUE FLEX & Traditional Style Doctor Delivery Heads

Model	Description	Retail	Option Location Position				
			1	2	3	4	5
EVG0004	Additional (4th Active Holder) HP Holder Position (Traditional Style Delivery ONLY)	\$410					
EVG0004EU	Additional (4th Active Holder) HP Holder Position (FLEX Continental Style Delivery ONLY)	\$740					
EVG0021	Cavitron Magnetostrictive Scaler, G139 With Steri-mate 360 (FLEX Continental & Traditional Style Delivery)	\$5,260					
EVG0023	SP Newtron Piezo Scaler WITHOUT LED Light (FLEX Continental & Traditional Style Delivery)	\$5,010					
EVG0024	SP Newtron Piezo Scaler With LED Light (FLEX Continental & Traditional Style Delivery)	\$5,925					
(**) EVG00251	Single HP, 6-Pin Fiberoptic System (Traditional Style Delivery ONLY)	\$1,270					
(**) EVG00271	Single HP, 6-Pin Fiberoptic System (FLEX Continental Style Delivery ONLY)	\$1,270					
(**) EVG00252	Two HP, 6-Pin Fiberoptic System (Traditional Style Delivery ONLY)	\$1,525					
(**) EVG00272	Two HP, 6-Pin Fiberoptic System (FLEX Continental Style Delivery ONLY)	\$1,525					
EVG0052	Bien Air Optima MX2 Micromotor System With Controller Touchpad (Traditional Style Delivery ONLY)	\$6,125					
EVG0054EU	Bien Air Optima MX2 Micromotor System With Controller Touchpad (FLEX Continental Style Delivery ONLY)	\$6,125					

(**) Please See Accessories Section for Field Installed Fiberoptic Kits

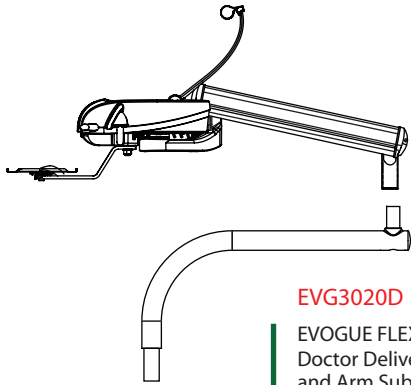
• Field Installed Options

Model	Description	Retail
90-175KIT	Additional HVE With Tubing	\$185

• Additional Umbilical Length (5 foot Umbilical Length from Delivery System To J-Box is STANDARD)

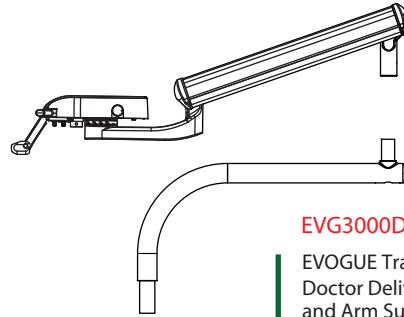
Model	Description	Retail
EVGUMB12FT	12 FT Umbilical For EVOGUE Delivery Systems. Not available for delivery with cuspidor (Includes All Supply Tubing, Light Wire Harnesses and Vacuum Drain Hose.)	\$815

STEP ONE Select Delivery Type



EVG3020D
EVOGUE FLEX Continental Style
Doctor Delivery
and Arm Sub-Assembly

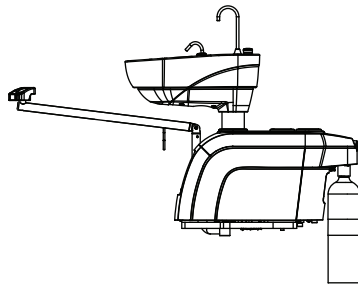
\$10,920



EVG3000D
EVOGUE Traditional Style
Doctor Delivery
and Arm Sub-Assembly

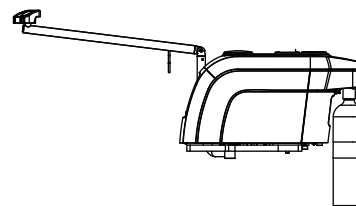
\$8,820

STEP TWO Select Post Mounted Utility & Cuspidors and Assistant Instruments



AU-HV3100C
EVOGUE PMU
With Assistant
Instruments.
WITH
Cuspidor

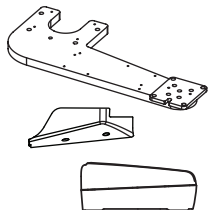
\$5,250



AU-HV3110C
EVOGUE PMU
With Assistant
Instruments.
WITHOUT
Cuspidor

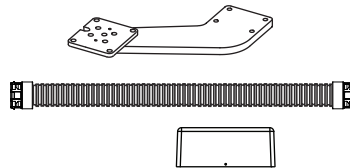
\$3,470

STEP THREE Select Chair Adapter Kit



AU-HV3902
EVOGUE
Chair Adapter Kit
(For Q5500 and Q3300 Chairs)

\$650

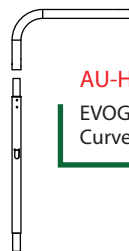


AU-HV3901N
EVOGUE
Chair Adapter Kit
(For B50N & B50 Chairs)

\$650

STEP FOUR (OPTIONAL) Select: A. Curved Light Post and B. Post Mounted Light

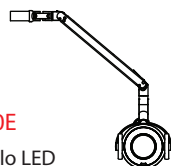
A. Order Curved
Post Assembly



AU-HV3908
EVOGUE
Curved Post Assembly

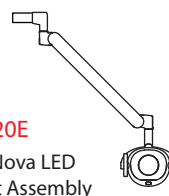
\$630

B. Select a Post
Mounted Light



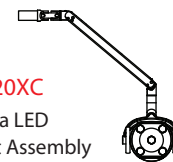
AL990E
Bel-Halo LED
Light Assembly

\$5,150



AL120E
Bel-Nova LED
Light Assembly

\$4,250



AL320XC
Clesta LED
Light Assembly

\$3,400

Standard Features For EVOGUE Chair-Mounted Over-The-Patient Delivery Systems

• Doctor's Control

- 3 Handpiece Automatic Control
- Individual Handpiece Pressure Adjustment
- Individual Handpiece Water Coolant Adjustment
- Master Handpiece Air Coolant Adjustment
- Non-retracting Water Coolant
- Master On/Off
- Handpiece Flush
- Remote Toggles for Cup Fill & Bowl Rinse
- 4 Hole Straight Gray Asepsis Tubing with Midwest Style Connector
- 1 Doctor Syringe
- Wet/Dry Foot Control
- Stainless Steel Tray with Non-Slip Pad
- Built-in Chair Seat Positioning Touchpad

• Arm System

- Balance Arm with Pneumatic Brake
- Horizontal Arm With Friction Adjustment
- Pre-Installed Wire Harness For Factory Installed Options
- Pre-Installed Wire Harness For Standard Built-in Seat Control Touchpad

• Post Mounted Utility (PMU)

- Built-in Bottled Water (Only) System With Water Bottle Quick Disconnect
- Vacuum Canister With Disposable Solids Collector Screen (Parts Warehouse S1406)
- 1/4" Water Quick Disconnect With Outlet Flow Control
- 1/4" Air Quick Disconnect

• Gravity Drain Cuspidor (Included with AU-HV3100C Cuspidors Only)

- Standard Premium Porcelain Cuspidor Bowl
- Swing Away Bowl
- Adjustable Timed Bowl Rinse Buttons
- Top Mounted Cup Fill & Bowl Rinse Buttons
- Bowl Strainer (1A025DB0)

• Assistant Instrument Arm Assembly

- 4 Position Crescent Shape Holder
- Break Away Arm
- 1 Assistant's Syringe
- 1 HVE
- 1 SE

Standard Features For EVOGUE Chair-Mounted Over-The-Patient Delivery Systems (Continued From Previous Page)

• Chair Adapter Kit with Umbilical

(Select AU-HV3902 or AU-HV3901N When Ordering Delivery System)

• Equipment Utility Center with Utilities

5 Foot Umbilical With Connection Collars

Deluxe Contoured J-Box (For Units Ordered with AU-HV3902 Chair Adapter Kits For Q5500 and Q3300 Chairs)

Standard 15" x 15" x 6" J-Box, JB004 (For Units Ordered with AU-HV3901N Chair Adapter Kits For B50N Chairs)

Air Utility

Water Utility (Water Utility Included with AU-HV3100C Cuspidors Only)

EVG Traditional Style Delivery and Optional Light

For B50N Chairs



Delivery System:	
EVG3000D	\$8,820
AU-HV3100C	\$5,250
AU-HV3901N	\$650
Optional Operator Light:	
AL320XC	\$3,400
AU-HV3908	\$630

(formerly EVG3500B delivery and EVG3535N light)

For Q5500 and Q3300 Chairs



Delivery System:	
EVG3000D	\$8,820
AU-HV3100C	\$5,250
AU-HV3902	\$650
Optional Operator Light:	
AL120E	\$4,250
AU-HV3908	\$630

(formerly EVG3500Q delivery and EVG3538N light)

For B50N Chairs



Delivery System:	
EVG3000D	\$8,820
AU-HV3110C	\$3,470
AU-HV3901N	\$650
Optional Operator Light:	
AL320XC	\$3,400
AU-HV3908	\$630

(formerly EVG3510B delivery and EVG3535N light)

For Q5500 and Q3300 Chairs



Delivery System:	
EVG3000D	\$8,820
AU-HV3110C	\$3,470
AU-HV3902	\$650
Optional Operator Light:	
AL120E	\$4,250
AU-HV3908	\$630

(formerly EVG3510Q delivery and EVG3538N light)

EVG FLEX Style Delivery and Optional Light

For B50N Chairs



Delivery System:

EVG3020D	\$10,920
AU-HV3100C	\$5,250
AU-HV3901N	\$650

Optional Operatory Light:

AL320XC	\$3,400
AU-HV3908	\$630

(formerly EVG3700B delivery and EVG3535N light)

For Q5500 and Q3300 Chairs



Delivery System:

EVG3020D	\$10,920
AU-HV3100C	\$5,250
AU-HV3902	\$650

Optional Operatory Light:

AL990E	\$5,150
AU-HV3908	\$630

(formerly EVG3700Q delivery and EVG3536N light)

For B50N Chairs



Delivery System:

EVG3020D	\$10,920
AU-HV3110C	\$3,470
AU-HV3901N	\$650

Optional Operatory Light:

AL320XC	\$3,400
AU-HV3908	\$630

(formerly EVG3710B delivery and EVG3535N light)

For Q5500 and Q3300 Chairs



Delivery System:

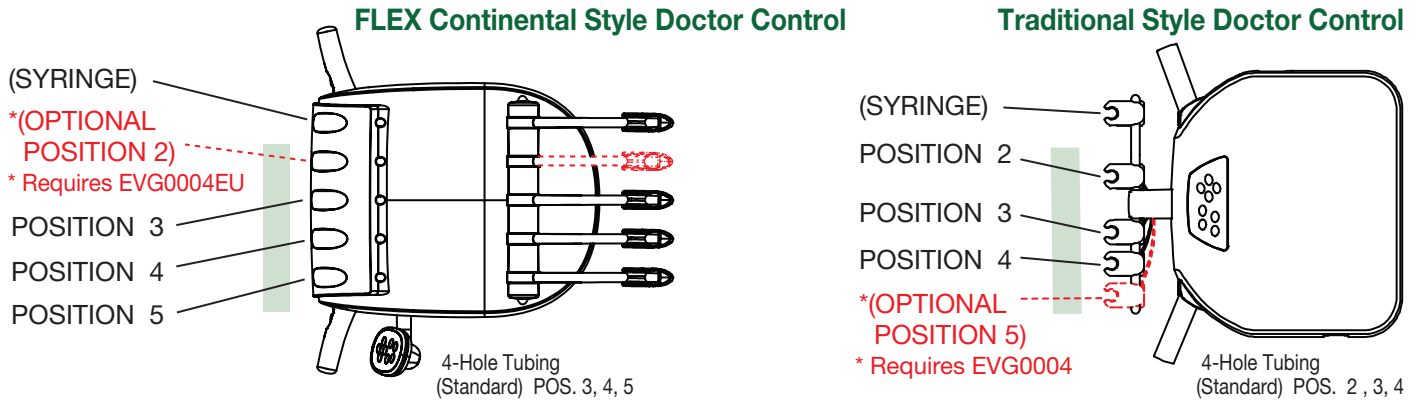
EVG3020D	\$10,920
AU-HV3110C	\$3,470
AU-HV3902	\$650

Optional Operatory Light:

AL990E	\$5,150
AU-HV3908	\$630

(formerly EVG3710Q delivery and EVG3536N light)

STEP FOUR Configure Your Delivery For Options



• Factory Installed Options For EVOGUE FLEX & Traditional Style Doctor Delivery Heads

Model	Description	Retail	Option Location Position				
			1	2	3	4	5
EVG0004	Additional (4th Active Holder) HP Holder Position (Traditional Style Delivery ONLY)	\$410					
EVG0004EU	Additional (4th Active Holder) HP Holder Position (FLEX Continental Style Delivery ONLY)	\$740					
EVG0021	Cavatron Magnetostrictive Scaler, G139 With Steri-mate 360 (FLEX Continental & Traditional Style Delivery)	\$5,260					
EVG0023	SP Newtron Piezo Scaler WITHOUT LED Light (FLEX Continental & Traditional Style Delivery)	\$5,010					
EVG0024	SP Newtron Piezo Scaler With LED Light (FLEX Continental & Traditional Style Delivery)	\$5,925					
(**) EVG00251	Single HP, 6-Pin Fiberoptic System (Traditional Style Delivery ONLY)	\$1,270					
(**) EVG00271	Single HP, 6-Pin Fiberoptic System (FLEX Continental Style Delivery ONLY)	\$1,270					
(**) EVG00252	Two HP, 6-Pin Fiberoptic System (Traditional Style Delivery ONLY)	\$1,525					
(**) EVG00272	Two HP, 6-Pin Fiberoptic System (FLEX Continental Style Delivery ONLY)	\$1,525					
EVG0052	Bien Air Optima MX2 Micromotor System With Controller Touchpad (Traditional Style Delivery ONLY)	\$6,125					
EVG0054EU	Bien Air Optima MX2 Micromotor System With Controller Touchpad (FLEX Continental Style Delivery ONLY)	\$6,125					

(**) Please See Accessories Section for Field Installed Fiberoptic Kits

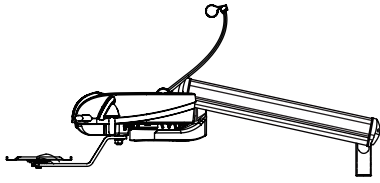
• Field Installed Options

Model	Description	Retail
90-175KIT	Additional HVE with Tubing	\$185
BDS5165	Monitor Arm with Bearings and Washers (For adding to EVG3375SQ ONLY)	\$990
EVG3589B	Monitor Arm with Bearings and Washers (For adding to EVG3275SX ONLY)	\$990
FPMMGR	Flat Panel Monitor Mount (Light Grey Finish ONLY)	\$1,545

• Additional Umbilical Length (5 foot Umbilical Length from Delivery System To J-Box is STANDARD)

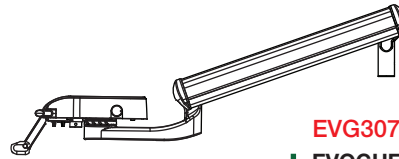
Model	Description	Retail
EVGUMB12FT	12 FT Umbilical For EVOGUE Delivery Systems. <u>Not available for delivery with cuspidor</u> (Includes All Supply Tubing, Light Wire Harnesses and Vacuum Drain Hose.)	\$815

STEP ONE Select Delivery Type



EVG3080D
EVOGUE
 FLEX Continental Style
 Doctor Control
 & Balance Arm Assembly

\$10,500



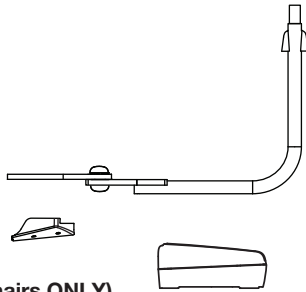
EVG3070D
EVOGUE
 Traditional Style
 Doctor Control
 & Balance Arm Assembly

\$8,190

STEP TWO Select Swing Arm Type

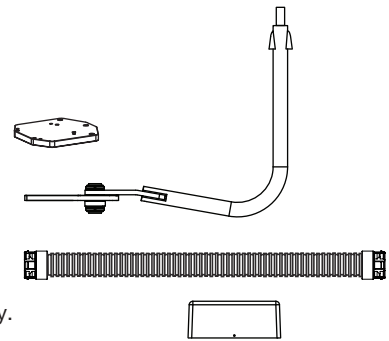
SINGLE Swing Arm Assembly
 (For Doctor's Delivery
 No Light)

EVG3375SQ
EVOGUE
 Doctor's Single
 Swing Arm Assembly.
 (For Q5500 and Q3300 Chairs ONLY)



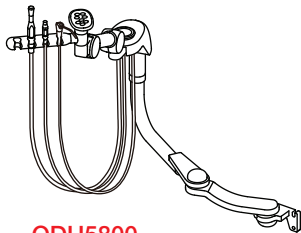
\$2,470

EVG3275SX
EVOGUE
 Doctor's Single
 Swing Arm Assembly.
 (For B50N & B50 Chairs ONLY)



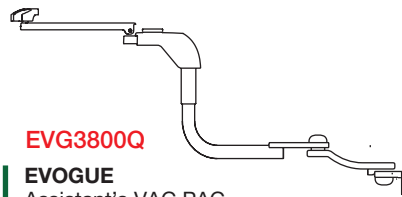
\$2,470

STEP THREE (OPTIONAL) Select Assistant's Instruments VAC PAC



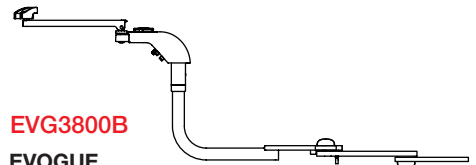
QDU5800
QUOLIS®
 Assistant's VAC PAC
 With Seat Positioning Touchpad
 (For Q5500 and Q3300 Chairs ONLY)

\$3,570



EVG3800Q
EVOGUE
 Assistant's VAC PAC
 (For Q5500 and Q3300 Chairs ONLY)

\$2,630



EVG3800B
EVOGUE
 Assistant's VAC PAC
 (For B50N Chairs ONLY)

\$2,630

Standard Features For EVOGUE Chair-Mounted Left-Right Delivery Systems Without Light	
• Doctor's Control	
3 Handpiece Automatic Control	
Individual Handpiece Pressure Adjustment	
Individual Handpiece Water Coolant Adjustment	
Master Handpiece Air Coolant Adjustment	
Non-retracting Water Coolant	
Master On/Off	
Handpiece Flush	
4 Hole Straight Gray Asepsis Tubing with Midwest Style Connector	
1 Doctor Syringe	
Wet/Dry Foot Control	
Stainless Steel Tray with Non-Slip Pad	
Built-in Chair Seat Positioning Touchpad	
• Arm System	
Balance Arm with Pneumatic Brake	
Swing Arm For Doctor's Control With Friction Adjustment	
Built-in Bottled Water (Only) System With Water Bottle Quick Disconnect	
Pre-Installed Wire Harness For Factory Installed Options	
Pre-Installed Wire Harness For Seat Control Touchpad	
• Chair Adapter	
EVG3375Q Swing Arm Sub-Assembly Attaches directly to Quolis® and Evogue Chairs	
EVG3275Q Swing Arm Sub-Assembly Includes BDSSMB20 Adapter to Attach to B50N Chairs	
• Equipment Utility Center with Air Utility	
Deluxe Contoured J-Box (For Units Ordered with EVG3375SQ Swing Arm Assembly For Q5500 and Q3300 Chairs)	
Standard 15" x 15" x 6" J-Box, JB004 (For Units Ordered with EVG3275SX Swing Arm Assembly For B50N Chairs)	
Air Utility (Only)	

Standard Features For EVOGUE Vac Pacs For Q5500, Q3300 and B50N Chairs	
• (Optional) Assistant Instrument Vac Pac	
4 Position Crescent Shape Holder	
Vacuum Canister With Disposable Solids Collector Screen (Parts Warehouse S1406)	
Break Away Arm	
1 Assistant's Syringe	
1 HVE	
1 SE	
1/4" Water Quick Disconnect With Outlet Flow Control	
1/4" Air Quick Disconnect	

EVG Traditional Style Left-Right Delivery With Optional Vac Pac

For B50N Chairs



Delivery System:
 EVG3070D \$8,190
 EVG3275SX \$2,470
Optional Vac Pac:
 EVG3800B \$2,630

(formerly EVG3575B delivery with EVG3800B vac pac)

For Q5500 and Q3300 Chairs



Delivery System:
 EVG3070D \$8,190
 EVG3375SQ \$2,470
Optional Vac Pac:
 EVG3800Q \$2,630

(formerly EVG3575Q delivery with EVG3800Q vac pac)

EVG FLEX Continental Style Left-Right Delivery With Optional Vac Pac

For B50N Chairs



Delivery System:
 EVG3080D \$10,500
 EVG3275SX \$2,470
Optional Vac Pac:
 EVG3800B \$2,630

(formerly EVG3775B delivery with EVG3800B vac pac)

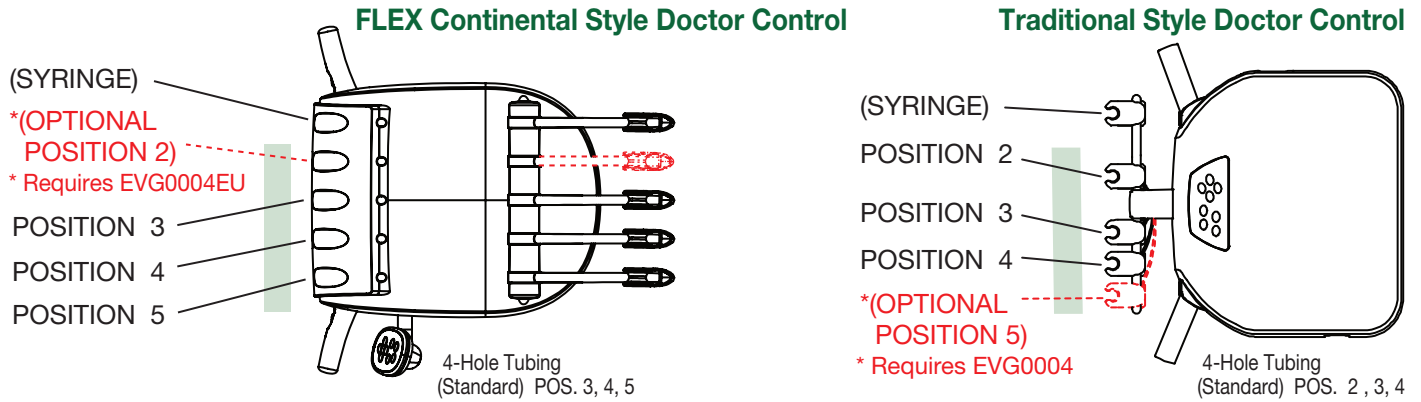
For Q5500 and Q3300 Chairs



Delivery System:
 EVG3080D \$10,500
 EVG3375SQ \$2,470
Optional Vac Pac:
 EVG3800Q \$2,630

(formerly EVG3775Q delivery with EVG3800Q vac pac)

STEP FIVE Configure Your Delivery For Options



• Factory Installed Options For EVOGUE FLEX & Traditional Style Doctor Delivery Heads

Model	Description	Retail	Option Location Position				
			1	2	3	4	5
EVG0004	Additional (4th Active Holder) HP Holder Position (Traditional Style Delivery ONLY)	\$410					
EVG0004EU	Additional (4th Active Holder) HP Holder Position (FLEX Continental Style Delivery ONLY)	\$740					
EVG0021	Cavatron Magnetostrictive Scaler, G139 With Steri-mate 360 (FLEX Continental & Traditional Style Delivery)	\$5,260					
EVG0023	SP Newtron Piezo Scaler WITHOUT LED Light (FLEX Continental & Traditional Style Delivery)	\$5,010					
EVG0024	SP Newtron Piezo Scaler With LED Light (FLEX Continental & Traditional Style Delivery)	\$5,925					
(**) EVG00251	Single HP, 6-Pin Fiberoptic System (Traditional Style Delivery ONLY)	\$1,270					
(**) EVG00271	Single HP, 6-Pin Fiberoptic System (FLEX Continental Style Delivery ONLY)	\$1,270					
(**) EVG00252	Two HP, 6-Pin Fiberoptic System (Traditional Style Delivery ONLY)	\$1,525					
(**) EVG00272	Two HP, 6-Pin Fiberoptic System (FLEX Continental Style Delivery ONLY)	\$1,525					
EVG0052	Bien Air Optima MX2 Micromotor System With Controller Touchpad (Traditional Style Delivery ONLY)	\$6,125					
EVG0054EU	Bien Air Optima MX2 Micromotor System With Controller Touchpad (FLEX Continental Style Delivery ONLY)	\$6,125					

(**) Please See Accessories Section for Field Installed Fiberoptic Kits

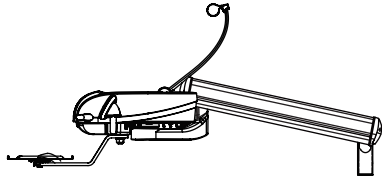
• Field Installed Options

Model	Description	Retail
90-175KIT	Additional HVE with Tubing	\$185

• Additional Umbilical Length (5 foot Umbilical Length from Delivery System To J-Box is STANDARD)

Model	Description	Retail
EVGUMB12FT	12 FT Umbilical For EVOGUE Delivery Systems. <u>Not available for delivery with cuspidor</u> (Includes All Supply Tubing, Light Wire Harnesses and Vacuum Drain Hose.)	\$815

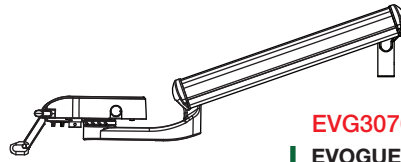
STEP ONE Select Delivery Type



EVG3080D
EVOGUE
 FLEX Continental Style
 Doctor Control
 & Balance Arm Assembly

\$8,190

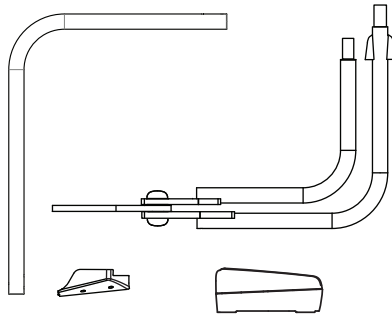
\$10,500



EVG3070D
EVOGUE
 Traditional Style
 Doctor Control
 & Balance Arm Assembly

STEP TWO Select Swing Arm Type

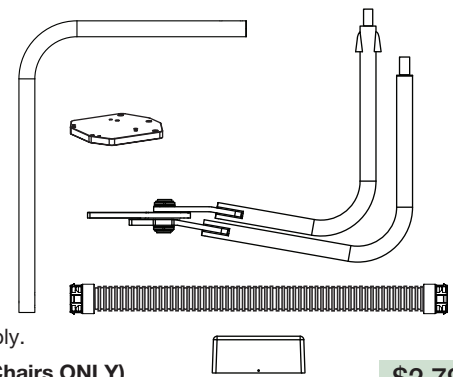
**DUAL Swing Arm Assembly
 (For Doctor's Delivery
 and Light)**



EVG3370SQ
EVOGUE
 Doctor's Dual
 Swing Arm Assembly.
 (For Q5500 and Q3300
 Chairs ONLY)

\$2,790

\$2,790



EVG3270SX
EVOGUE
 Doctor's Dual
 Swing Arm Assembly.
 (For B50N & B50 Chairs ONLY)

STEP THREE Select Light For Adding to EVG3370SQ & EVG3270SX

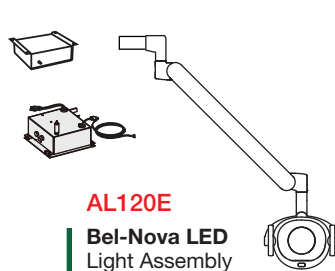


AL990E
Bel-Halo LED
 Light Assembly

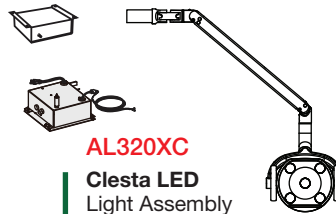
\$3,400

\$4,250

\$5,150

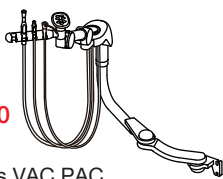


AL120E
Bel-Nova LED
 Light Assembly

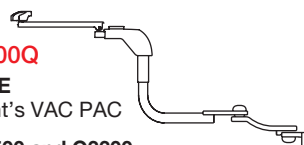


AL320XC
Clesta LED
 Light Assembly

STEP FOUR (OPTIONAL) Select Assistant's Instruments VAC PAC



QDU5800
QUOLIS®
 Assistant's VAC PAC
 With Seat Positioning Touchpad
 (For Q5500 and Q3300
 Chairs ONLY)

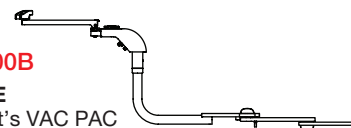


EVG3800Q
EVOGUE
 Assistant's VAC PAC
 (For Q5500 and Q3300
 Chairs ONLY)

\$2,630

\$2,630

\$3,570



EVG3800B
EVOGUE
 Assistant's VAC PAC
 (For B50N Chairs ONLY)

Standard Features For EVOGUE Chair-Mounted Over-The-Patient Delivery Systems

• Doctor's Control

3 Handpiece Automatic Control
 Individual Handpiece Pressure Adjustment
 Individual Handpiece Water Coolant Adjustment
 Master Handpiece Air Coolant Adjustment
 Non-retracting Water Coolant
 Master On/Off
 Handpiece Flush
 4 Hole Straight Gray Asepsis Tubing with Midwest Style Connector
 1 Doctor Syringe
 Wet/Dry Foot Control
 Stainless Steel Tray with Non-Slip Pad
 Built-in Chair Seat Positioning Touchpad

• Arm System

Balance Arm with Pneumatic Brake
 Swing Arm For Doctor's Control With Friction Adjustment
 Light Swing Arm And Curved Post (For Belmont Curved Post Lights)
 Built-in Bottled Water (Only) System With Water Bottle Quick Disconnect
 Pre-Installed Wire Harness For Factory Installed Options
 Pre-Installed Wire Harness For Seat Control Touchpad

• Light

Belmont Bel-Halo LED, Bel-Nova LED or Clesta LED Light

• Chair Adapter

EVG3370SQ Swing Arm Sub-Assembly Attaches directly to Quolis® and Evogue Chairs
 EVG3270SX Swing Arm Sub-Assembly Includes BDSSMB20 Adapter to Attach to B50N Chairs

• Equipment Utility Center with Air Utility

Deluxe Contoured J-Box (For Units Ordered with EVG3370SQ Swing Arm Assembly For Q5500 and Q3300 Chairs)
 Standard 15" x 15" x 6" J-Box , JB004 (For Units Ordered with EVG3270SX Swing Arm Assembly For B50N Chairs)
 Air Utility (Only)

Standard Features For EVOGUE Vac Pacs For Q5500, Q3300 and B50N Chairs

• (Optional) Assistant Instrument Vac Pac

4 Position Crescent Shape Holder
 Vacuum Canister With Disposable Solids Collector Screen (Parts Warehouse S1406)
 Break Away Arm
 1 Assistant's Syringe
 1 HVE
 1 SE
 1/4" Water Quick Disconnect With Outlet Flow Control
 1/4" Air Quick Disconnect

EVG Traditional Style Delivery With Light and Optional Vac Pac

For B50N Chairs



- Delivery System:**
 EVG3070D \$8,190
 EVG3270SX \$2,790
- Operatory Light:**
 AL990E \$5,150
- Optional Vac Pac:**
 EVG3800B \$2,630

(formerly EVG3572B delivery with Bel-Halo LED light and EVG3800B vac pac)

For Q5500 and Q3300 Chairs



- Delivery System:**
 EVG3070D \$8,190
 EVG3370SQ \$2,790
- Operatory Light:**
 AL990E \$5,150
- Optional Vac Pac:**
 EVG3800Q \$2,630

(formerly EVG3572Q delivery with Bel-Halo LED light and EVG3800Q vac pac)

For B50N Chairs



- Delivery System:**
 EVG3070D \$8,190
 EVG3270SX \$2,790
- Operatory Light:**
 AL120E \$4,250
- Optional Vac Pac:**
 EVG3800B \$2,630

(formerly EVG3578B delivery with Bel-Halo LED light and EVG3800B vac pac)

For Q5500 and Q3300 Chairs



- Delivery System:**
 EVG3070D \$8,190
 EVG3370SQ \$2,790
- Operatory Light:**
 AL120E \$4,250
- Optional Vac Pac:**
 EVG3800Q \$2,630

(formerly EVG3578Q delivery with Bel-Halo LED light and EVG3800Q vac pac)

For B50N Chairs



- Delivery System:**
 EVG3070D \$8,190
 EVG3270SX \$2,790
- Operatory Light:**
 AL320XC \$3,400
- Optional Vac Pac:**
 EVG3800B \$2,630

(formerly EVG3573B delivery with Clesta LED light and EVG3800B vac pac)

For Q5500 and Q3300 Chairs



- Delivery System:**
 EVG3070D \$8,190
 EVG3370SQ \$2,790
- Operatory Light:**
 AL320XC \$3,400
- Optional Vac Pac:**
 EVG3800Q \$2,630

(formerly EVG3573Q delivery with Clesta LED light and EVG3800Q vac pac)

EVG FLEX Continental Style Delivery With Light and Optional Vac Pac

For B50N Chairs



- Delivery System:**
 EVG3080D \$10,500
 EVG3270SX \$2,790
- Operatory Light:**
 AL990E \$5,150
- Optional Vac Pac:**
 EVG3800B \$2,630

(formerly EVG3772B delivery with Bel-Halo LED light and EVG3800B vac pac)

For Q5500 and Q3300 Chairs



- Delivery System:**
 EVG3080D \$10,500
 EVG3370SQ \$2,790
- Operatory Light:**
 AL990E \$5,150
- Optional Vac Pac:**
 EVG3800Q \$2,630

(formerly EVG3772Q delivery with Bel-Halo LED light and EVG3800Q vac pac)

For B50N Chairs



- Delivery System:**
 EVG3080D \$10,500
 EVG3270SX \$2,790
- Operatory Light:**
 AL120E \$4,250
- Optional Vac Pac:**
 EVG3800B \$2,630

(formerly EVG3778B delivery with Bel-Halo LED light and EVG3800B vac pac)

For Q5500 and Q3300 Chairs



- Delivery System:**
 EVG3080D \$10,500
 EVG3370SQ \$2,790
- Operatory Light:**
 AL120E \$4,250
- Optional Vac Pac:**
 EVG3800Q \$2,630

(formerly EVG3778Q delivery with Bel-Halo LED light and EVG3800Q vac pac)

For B50N Chairs



- Delivery System:**
 EVG3080D \$10,500
 EVG3270SX \$2,790
- Operatory Light:**
 AL320XC \$3,400
- Optional Vac Pac:**
 EVG3800B \$2,630

(formerly EVG3773B delivery with Clesta LED light and EVG3800B vac pac)

For Q5500 and Q3300 Chairs

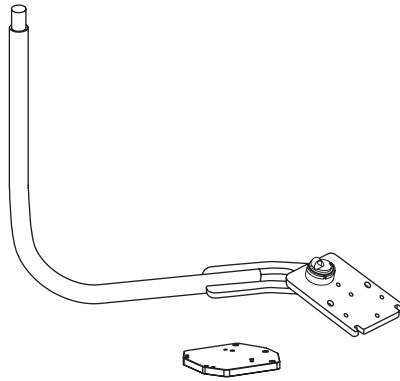


- Delivery System:**
 EVG3080D \$10,500
 EVG3370SQ \$2,790
- Operatory Light:**
 AL320XC \$3,400
- Optional Vac Pac:**
 EVG3800Q \$2,630

(formerly EVG3773Q delivery with Clesta LED light and EVG3800Q vac pac)

STEP ONE Select Stand-Alone Monitor Swing Arm Sub-Assembly

A. For B50N Chairs ONLY

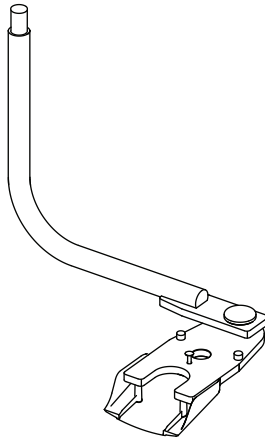


AU-HV3290MSX

Monitor Swing Arm Sub-Assembly
For B50N Chairs ONLY

\$3,150

**B. For Q5500 & Q3300
Chairs ONLY**

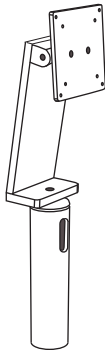


BDS5160SA

Monitor Swing Arm Sub-Assembly
For Q5500 and Q3300 Chairs ONLY

\$3,150

STEP TWO Order Flat Panel Monitor Mount



FPMGR

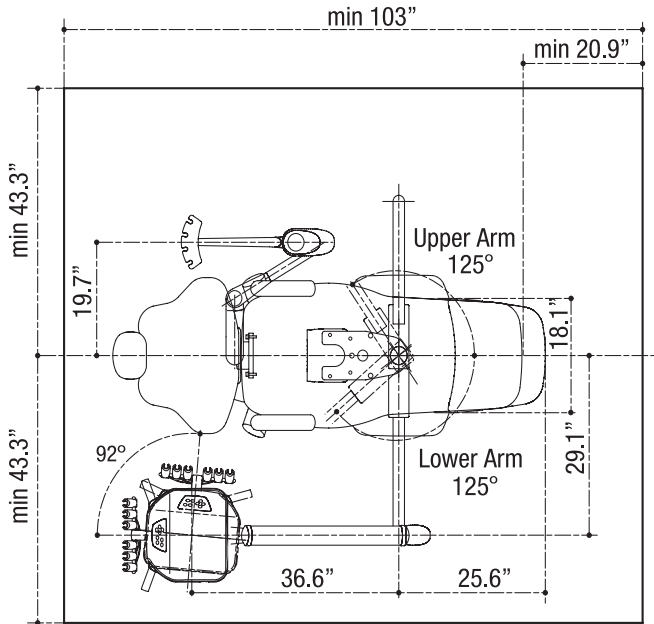
Flat Panel Monitor Mount (Light Grey Finish)
For AU-HV3290MSX and BDS5160SA

(Also for Optional BDS5165 and EVG3589B Evogue Add-On Monitor Swing Arms)

\$1,545

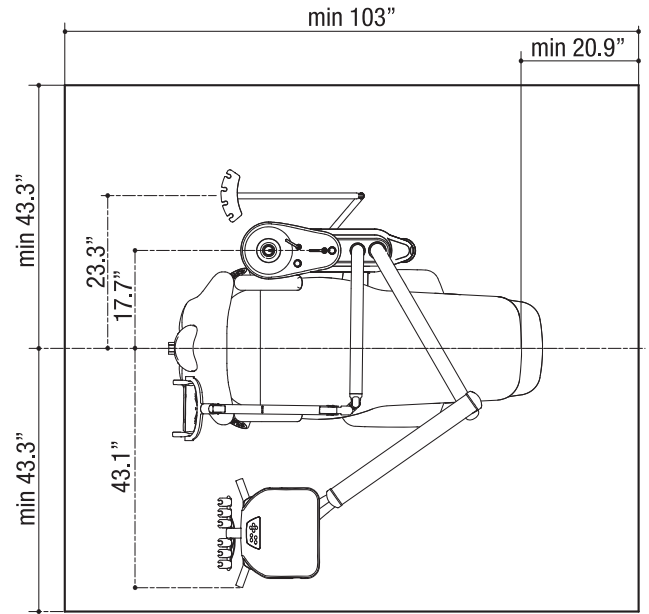
Dimensions

Swing Mounted Delivery System with Vac Pac and **Clesta LED** Light and Quolis® Chair



Minimum dimension for change to right and left position excluding treatment space.

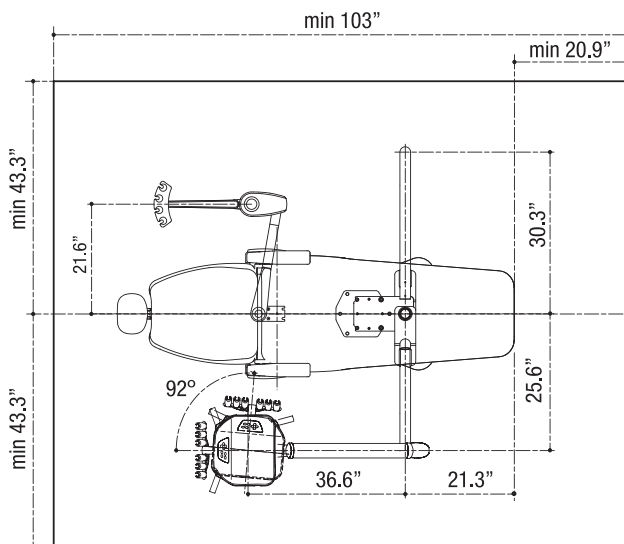
Over The Patient Delivery System with Cuspidor and **Clesta LED** Light and Quolis® Chair



Minimum dimension excluding treatment space.

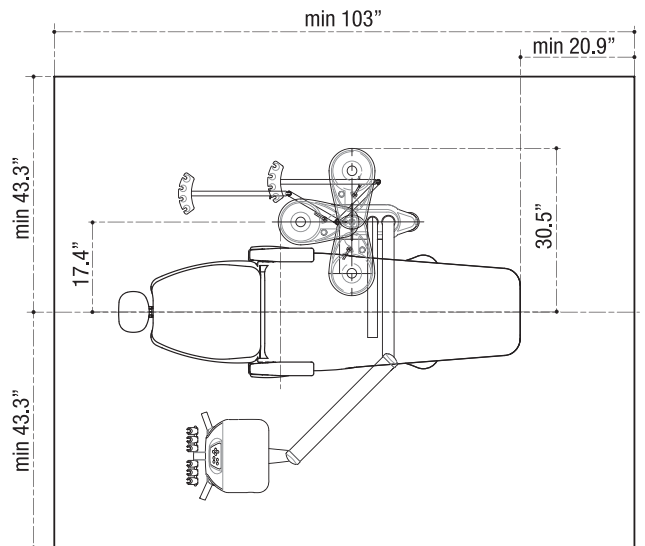
Dimensions

Swing Mounted Delivery System with Vac Pac and **Clesta LED** Light and B50N Chair



Minimum dimension for change to right and left position excluding treatment space.

Over The Patient Delivery System with Cuspidor and **Clesta LED** Light and B50N Chair

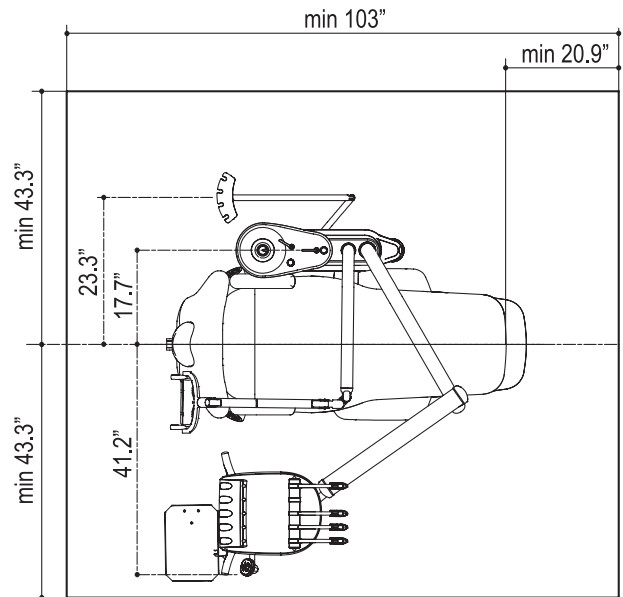
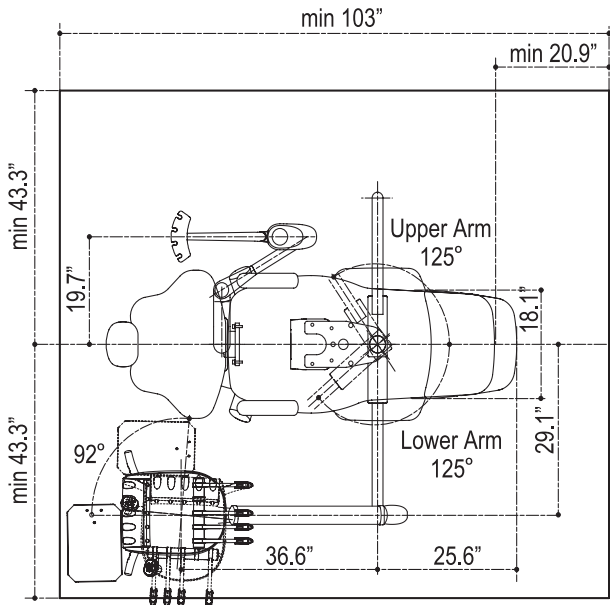


Minimum dimension excluding treatment space.

Dimensions

Continental Style Swing Mounted Delivery System with Vac Pac and **Clesta LED** Light and Quolis® Chair

Continental Style Over The Patient Delivery System with Cuspidor and **Clesta LED** Light and Quolis® Chair



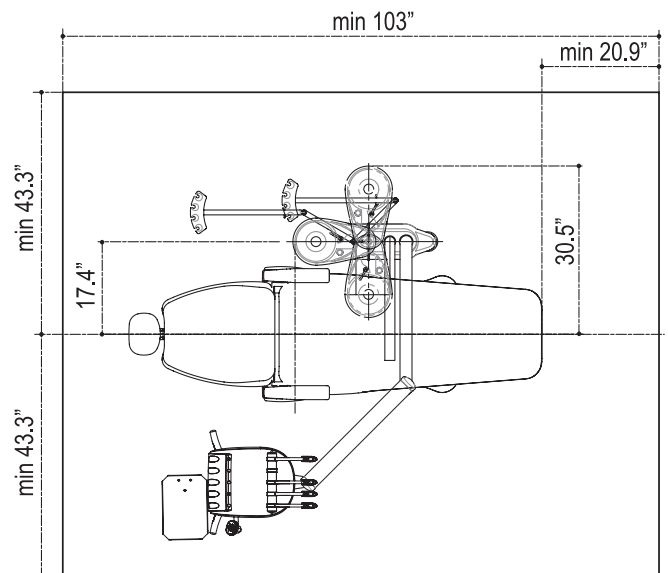
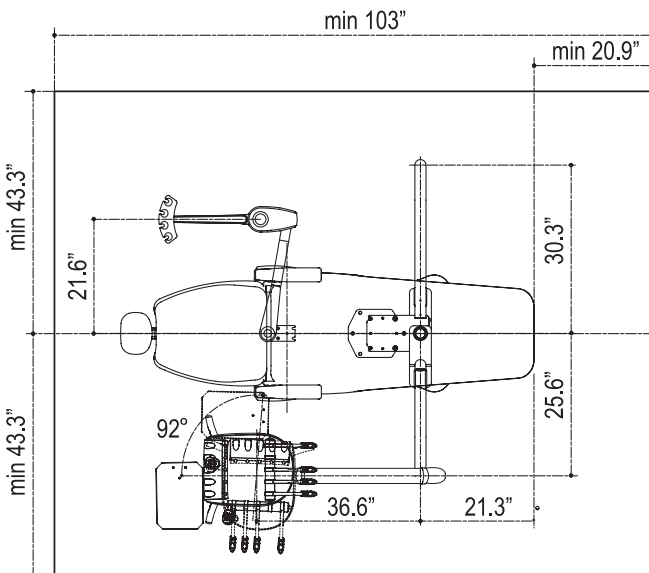
Minimum dimension for change to right and left position excluding treatment space.

Minimum dimension excluding treatment space.

Dimensions

Continental Style Swing Mounted Delivery System with Vac Pac and **Clesta LED** Light and B50N Chair

Continental Style Over The Patient Delivery System with Cuspidor and **Clesta LED** Light and B50N Chair

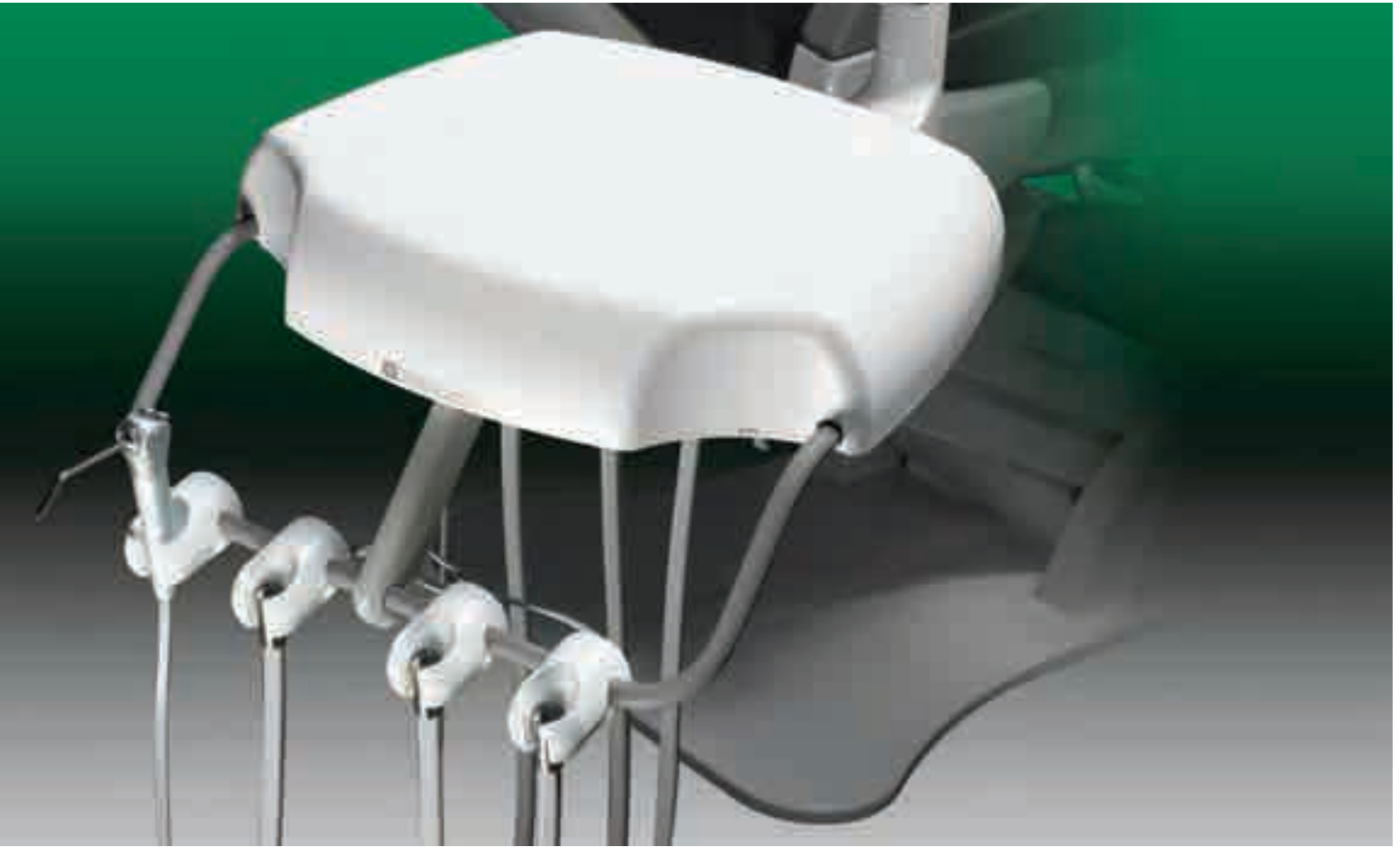


Minimum dimension for change to right and left position excluding treatment space.

Minimum dimension excluding treatment space.



X-Calibur Delivery Systems



Traditional Style

Over-The-Patient
Delivery



PP. 54-57

Single Swing Arm
Delivery



PP. 58-61

Dual Swing Arm
Delivery



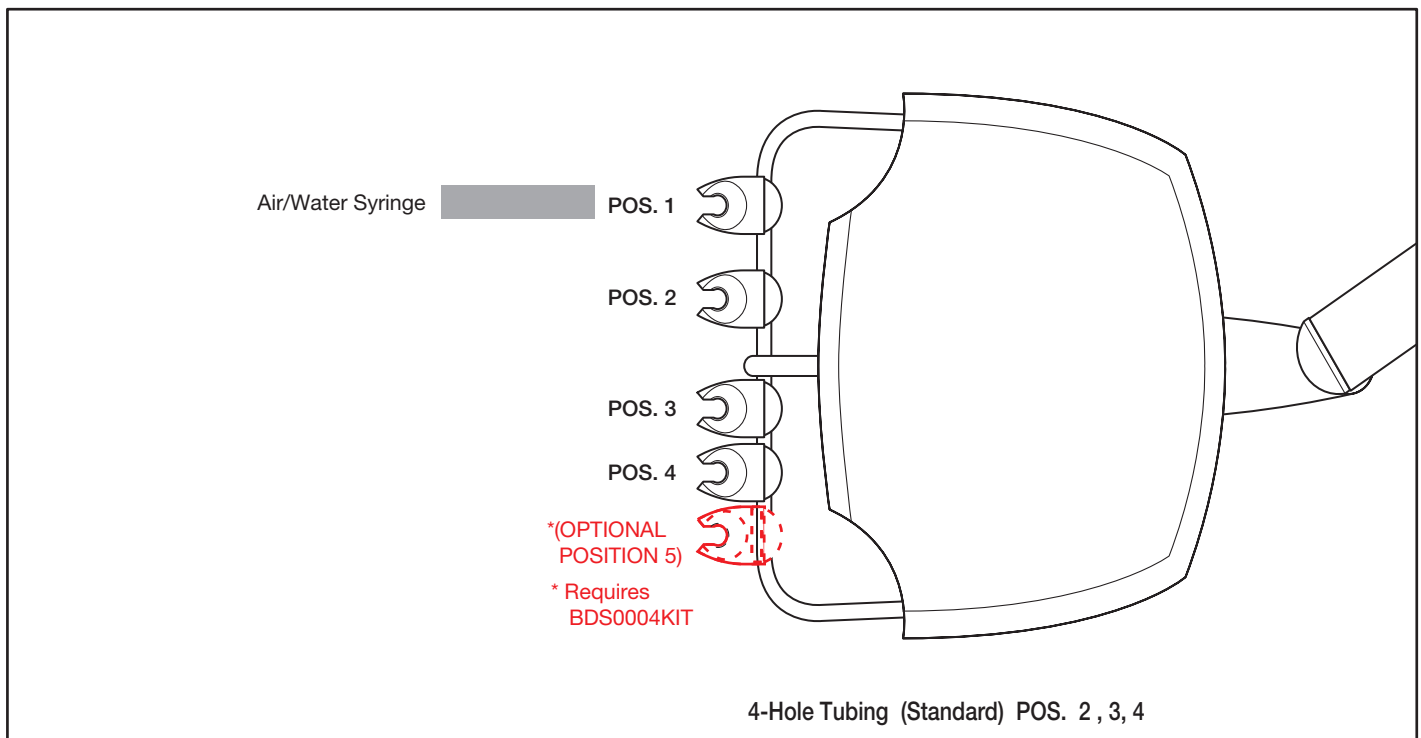
PP.62-65

No Factory Installed Options Available

When ordering X-Calibur delivery systems please be aware that there are no factory installed options. Delivery head is configured as shown below only.

All X-Calibur Delivery Systems include a factory installed wire harness for field installation of accessories.

Traditional Style Doctor Control





Traditional Left-Right Delivery With Light

Model	Description	Retail
BDS2570D	Traditional Left-Right Style Delivery	\$6,420
BDS2570SK	Doctor's Dual Swing Arm Assembly With Curved Light Post, Chair Adapter and Standard J-Box	\$2,410
AL320X	Clesta LED Light Assembly	\$3,400

Retail Subtotal: \$12,230

ADD Optional Assistant Instrument Vac Pac

Model	Description	Retail
BDS3800	Assistant's Vac Pac for B50N Chairs	\$2,470

Retail Subtotal: \$14,700



Optional BDS3800 Assistant's Instrument Vac Pac

X-Calibur / B50N Package A.

Left-Right Delivery and Light With Optional Vac Pac on B50N Chair

Model	Description	Retail
B50N	X-Calibur V Series Dental Chair Base	\$7,730
NSSLAF918	Seamless With Slings Upholstery, Standard INK Vinyl Color	\$1,890

Package A. Retail Total: \$24,320

Traditional Dr. / Asst. OTP Delivery

Model	Description	Retail
BDS2500DK	X-CALIBUR OTP Delivery	\$6,960
BDS2510CK	Post Mounted Utility Assembly With Assistant's Instruments, Curved Light Post, Chair Adapter and Standard J-Box	\$2,730

Retail Subtotal: \$9,690

ADD Optional Curved Post Light

Model	Description	Retail
AL320XN	Clesta LED Light Sub-Assembly	\$3,400

Retail Subtotal: \$13,090



X-Calibur / B50N Package B.

OTP Dr.-Asst. Delivery With Light (No Cuspidor) and B50N Chair

Model	Description	Retail
B50N	X-Calibur V Series Dental Chair Base	\$7,730
NSWBAF918	Seamless Wide Backrest Upholstery, Standard INK Vinyl Color	\$1,890

Package B. Retail Total: \$22,710

STEP FOUR (OPTIONAL) B. Select a Straight Light Post and Select a Post Mounted Light

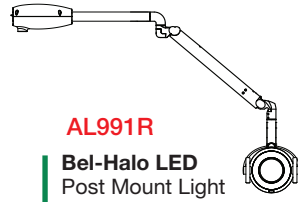
A. Order Straight Post Assembly



BDS0012
X-CALIBUR
 Straight Light Post
 (For Belmont Post Mounted Lights)

\$410

B. Order Post Mounted Light



AL991R
Bel-Halo LED
 Post Mount Light



AL101R
Bel-Nova LED
 Post Mount Light



AL301R
Clesta LED
 Post Mount Light

\$3,930

\$4,780

\$5,670

X-CALIBUR DELIVERY SYSTEMS

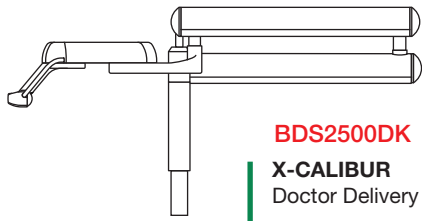
• Field Installed Options ONLY For X-CALIBUR Delivery Systems

Model	Description	Retail
BDS0004KIT	Additional (4th Active Holder) HP Holder Position For X-CALIBUR Delivery systems ONLY	\$410
BDS0011KIT	Additional HVE For X-CALIBUR Over-The Patient Delivery ONLY	\$190
BDS0012	24”L x 2” O.D. Straight Light Post For Attaching Post Mounted Lights to X-CALIBUR Over-The-Patient Delivery ONLY)	\$410
BDS0025-1KIT	Single HP, 6-Pin Fiberoptic System, Field Installed ONLY)	\$1,140
BDS0025-2KIT	Two HP, 6-Pin Fiberoptic System, Field Installed ONLY	\$1,410
BDS0024	8”L x 2” O.D. Post Extension for Mounting Trays (No Light On Unit)	\$165
C1916KIT	Short Arm Replacement For Non-Telescoping Assistant Arm, X-CALIBUR ONLY	\$155
UMT0016	Unit Mounted Touchpad, 2 Program Positions (See Accessory Pages for wire harnesses)	\$820
CAB5001KIT	Chair Adapter for Attaching X-CALIBUR Over-The-Patient Delivery to Q5500 Quolis® & Q3300 Evogue Chairs	\$1,220

• Additional Umbilical Length (5 foot Umbilical Length from Delivery System To J-Box is STANDARD)

Model	Description	Retail
BDSUMB12FT	12 FT Umbilical For X-CALIBUR Delivery Systems. Not available for delivery with cuspidor. (Includes Wire Harness for AL120X/120XN Lights and AL320X/AL320XN Lights, All Supply Tubing and Vacuum Drain Hose.)	\$815

STEP ONE Order Delivery



BDS2500DK

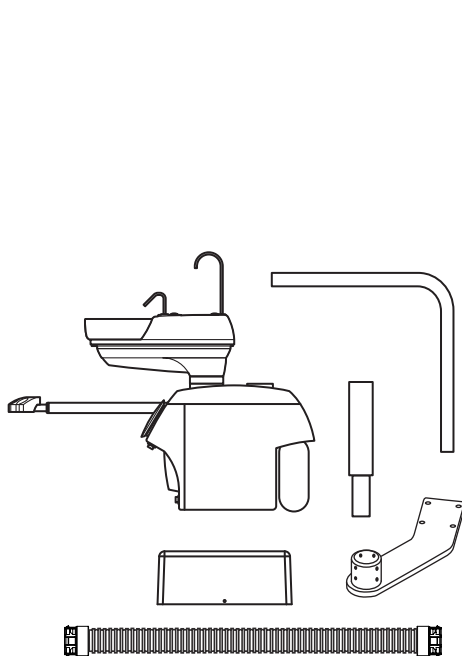
X-CALIBUR

Doctor Delivery and Arm Sub-Assembly

For BDS2500CUS and BDS2510CUS

\$6,960

STEP TWO Select Post Mounted Utility & Cuspidors and Assistant Instruments



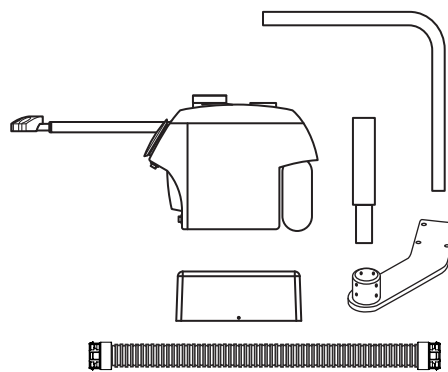
BDS2500CK

X-CALIBUR

Post Mounted Utility
With Assistant
Instruments.

**WITH
Cuspidor**

\$4,150



BDS2510CK

X-CALIBUR

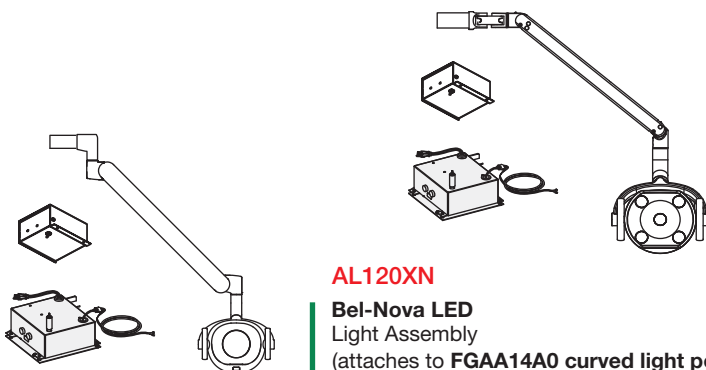
Post Mounted Utility
With Assistant
Instruments.

**WITHOUT
Cuspidor**

\$2,730

X-CALIBUR DELIVERY SYSTEMS

STEP THREE (OPTIONAL) A. Select An LED Curved Post Light Sub-Assembly



AL120XN

Bel-Nova LED

Light Assembly

(attaches to **FGAA14A0** curved light post
included with component listed in step 2 above)

\$4,250

AL320XN

Clesta LED

Light Sub-Assembly

(attaches to **FGAA14A0** curved light post
included with component listed in step 2 above)

\$3,400

Standard Features For X-Calibur Chair-Mounted Over-The-Patient Delivery Systems	
• Doctor's Control	
3 Handpiece Automatic Control	
Individual Handpiece Pressure Adjustment	
Individual Handpiece Water Coolant Adjustment	
Master Handpiece Air Coolant Adjustment	
Non-retracting Water Coolant	
Master On/Off	
Handpiece Flush	
Remote Toggles for Cup Fill & Bowl Rinse	
4 Hole Straight Gray Asepsis Tubing with Midwest Style Connector	
1 Doctor Syringe	
Wet/Dry Foot Control	
Stainless Steel Tray with Non-Slip Pad	
• Arm System	
Balance Arm with Pneumatic Brake	
Horizontal Arm With Friction Adjustment	
Light Support Rod For Mounting Curved & Straight Light Posts (Axis Cover also Included for units without lights)	
Pre-Installed Wire Harness For Field Installed Accessories	
Pre-Installed Wire Harness For Optional UMT0016 Seat Control Touchpad	
• Post Mounted Utility (PMU)	
Built-in Bottled Water System	
Vacuum Canister With Disposable Solids Collector Screen (Pinnacle 5509)	
1/4" Water Quick Disconnect With Outlet Flow Control	
1/4" Air Quick Disconnect	
• Gravity Drain Cuspidor (Included with BDS2500C Cuspidors Only)	
White Opaque Glass Bowl	
Swing Away Bowl	
Adjustable Timed Bowl Rinse Buttons	
Top Mounted Cup Fill & Bowl Rinse Buttons	
Bowl Strainer (Pinnacle 6400-1C)	
• Assistant Instrument Arm Assembly	
4 Position Crescent Shape Holder	
Break Away Telescoping Arm	
1 Assistant's Syringe	
1 HVE	
1 SE	
• Chair Adapter	
Chair Adapter For B50N, B50, B20N, B20+ and B20 Chairs)	
• Equipment Utility Center with Utilities	
5 Foot Umbilical With Connection Collars	
Standard White 15" x 15" x 6" J-Box, JB004	
Air Utility	
Water Utility (BDS2500CK Cuspidors Only)	

X-Calibur Over-The-Patient Delivery Systems



Delivery System:

BDS2500DK	\$6,960
BDS2500CK*	\$4,150

(* Unit includes FGAA14A0 curved light post. If a post mounted light is to be mounted on unit, please order optional BDS0012 straight post and optional light, as shown in the photo)

Operatory Light:

OPTIONAL AL301R	\$3,930
OPTIONAL BDS0012	\$410

(formerly BDS2500 delivery system, BDS0012 Light Post and AL301R light shown on B50N chair)



Delivery System:

BDS2500DK	\$6,960
BDS2510CK*	\$2,730

(*Unit includes FGAA14A0 curved light post for optional AL320XN and AL120XN lights, as shown in the photo)

Operatory Light:

OPTIONAL AL320XN	\$3,400
------------------	---------

(formerly BDS2510 delivery system and BDS2537N light shown on B50N chair)

•Field Installed Options ONLY For X-CALIBUR Delivery Systems

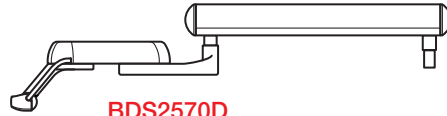
Model	Description	Retail
BDS0004KIT	Additional (4th Active Holder) HP Holder Position For X-CALIBUR Delivery Systems ONLY	\$410
BDS0025-1KIT	Single HP, 6-Pin Fiberoptic System, Field Installed ONLY	\$1,140
BDS0025-2KIT	Two HP, 6-Pin Fiberoptic System, Field Installed ONLY	\$1,410
BDS3800	X-CALIBUR Assistant's Instrument VAC PAC	\$2,470
90-175KIT	Additional HVE with Tubing	\$185
BDS2589	X-CALIBUR Monitor Swing Arm Assembly for Adding to BDS2575S ONLY	\$990
FPMMGR	Flat Panel Monitor Mount (Light Grey Finish ONLY)	\$1,545
UMT0016	Unit Mounted Touchpad, 2 Program Positions (See Accessory Pages for wire harnesses)	\$820
BDS5MB5001KIT	Chair Adapter for Attaching X-CALIBUR Left-Right Delivery to Q5500 Quolis ® & Q3300 Evogue Chairs	\$725

•Additional Umbilical Length (5 foot Umbilical Length from Delivery System To J-Box is STANDARD)

Model	Description	Retail
BDSUMB12FT	12 FT Umbilical For X-CALIBUR Delivery Systems. <u>Not available for delivery with cuspidor.</u> (Includes Wire Harness for AL120X/120XN Lights and AL320X/AL320XN Lights, All Supply Tubing and Vacuum Drain Hose.)	\$815

X-CALIBUR DELIVERY SYSTEMS

STEP ONE Select Delivery Type



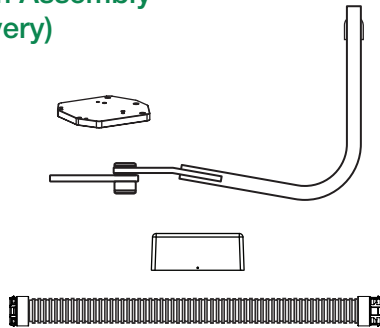
BDS2570D

X-CALIBUR Traditional Style
Doctor Delivery and Arm Sub-Assembly

\$6,420

STEP TWO Select Swing Arm For Doctors Delivery

SINGLE Swing Arm Assembly
(For Doctor's Delivery)

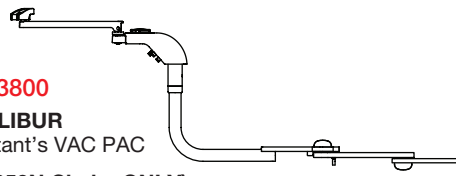


BDS2575SK

X-CALIBUR
Doctor's Single
Swing Arm Assembly.
(For B50N Chairs ONLY)

\$2,080

STEP THREE (OPTIONAL) Select Assistant's Instruments VAC PAC



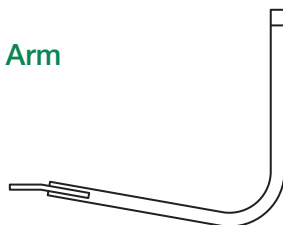
BDS3800

X-CALIBUR
Assistant's VAC PAC
(For B50N Chairs ONLY)

\$2,470

STEP FOUR (OPTIONAL) Select Monitor Arm & Flat Panel Monitor Mount

A. Order Monitor Swing Arm



BDS2589

X-CALIBUR
Monitor
Swing Arm Assembly.
(For Adding to BDS2575SA ONLY)

\$990

B. Order Flat Panel Monitor Mount



FPMMGR

Flat Panel Monitor Mount

\$1,545

Standard Features For X-Calibur Chair-Mounted Left-Right Delivery Systems Without Light	
• Doctor's Control	
3 Handpiece Automatic Control	
Individual Handpiece Pressure Adjustment	
Individual Handpiece Water Coolant Adjustment	
Master Handpiece Air Coolant Adjustment	
Non-retracting Water Coolant	
Master On/Off	
Handpiece Flush	
4 Hole Straight Gray Asepsis Tubing with Midwest Style Connector	
1 Doctor Syringe	
Wet/Dry Foot Control	
Stainless Steel Tray with Non-Slip Pad	
• Arm System	
Balance Arm with Pneumatic Brake	
Swing Arm For Doctor's Control With Friction Adjustment	
Built-in Bottled Water System	
Pre-Installed Wire Harness For Field Installed Accessories	
Pre-Installed Wire Harness For Optional UMT0016 Seat Control Touchpad	
• Chair Adapter	
Chair Adapter For B50N, B50, B20N, B20+ and B20 Chairs	
• Equipment Utility Center with Air Utility	
5 Foot Umbilical With Connection Collars	
Standard White 15" x 15" x 6" J-Box, JB004	
Air Utility	

Standard Features For X-Calibur Vac Pacs For B50N Chairs	
• (Optional) Assistant Instrument Vac Pac	
4 Position Crescent Shape Holder	
Vacuum Canister With Disposable Solids Collector Screen (Parts Warehouse S1406)	
Break Away Arm	
1 Assistant's Syringe	
1 HVE	
1 SE	
1/4" Water Quick Disconnect With Outlet Flow Control	

X-Calibur Left-Right Delivery Systems Without Light



(formerly BDS2575 delivery system shown on B50N chair)

Delivery System:

BDS2570D	\$6,420
BDS2575SK	\$2,080



(formerly BDS2575 with BDS2589, FPMMGR and BDS3800 shown on B50N chair)

Delivery System:

BDS2570D	\$6,420
BDS2575SK	\$2,080
BDS2589	\$990
FPMMGR	\$1,545
BDS3800	\$2,470



**Assistant Instrument
Vac Pac (Option):**

BDS3800	\$2,470
---------	---------

Chair Mounted Delivery Systems X-Calibur Left-Right Delivery With LED Light

• Field Installed Options ONLY For X-CALIBUR Delivery Systems

Model	Description	Retail
BDS0004KIT	Additional (4th Active Holder) HP Holder Position For X-CALIBUR Delivery Systems ONLY	\$410
BDS0025-1KIT	Single HP, 6-Pin Fiberoptic System, Field Installed ONLY	\$1,140
BDS0025-2KIT	Two HP, 6-Pin Fiberoptic System, Field Installed ONLY	\$1,410
BDS3800	X-CALIBUR Assistant's Instrument VAC PAC	\$2,470
90-175KIT	Additional HVE with Tubing	\$185
UMT0016	Unit Mounted Touchpad, 2 Program Positions (See Accessory Pages for wire harnesses)	\$820
BDSSMB5001KIT	Chair Adapter for Attaching X-CALIBUR Left-Right Delivery to Q5500 Quolis ® & Q3300 Evogue Chairs	\$725

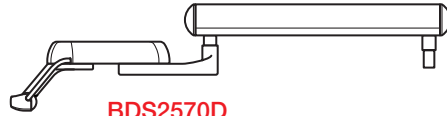
• Additional Umbilical Length (5 foot Umbilical Length from Delivery System To J-Box is STANDARD)

Model	Description	Retail
BDSUMB12FT	12 FT Umbilical For X-CALIBUR Delivery Systems. <i>Not available for delivery with cuspidor.</i> (Includes Wire Harness for AL120X/120XN Lights and AL320X/AL320XN Lights, All Supply Tubing and Vacuum Drain Hose.)	\$815

X-CALIBUR DELIVERY SYSTEMS

Chair Mounted Delivery Systems X-Calibur Left-Right Delivery With LED Light

STEP ONE Select Delivery Type



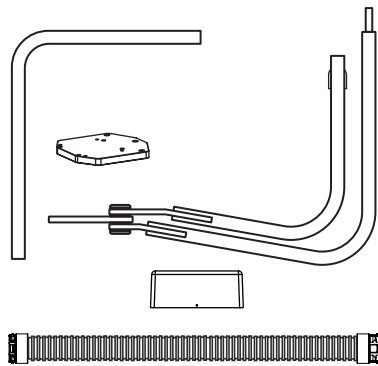
BDS2570D

X-CALIBUR Traditional Style
Doctor Delivery and Arm Sub-Assembly

\$6,420

STEP TWO Select Swing Arm For Doctors Delivery & Light

DUAL Swing Arm Assembly
(For Doctor's Delivery and Light)



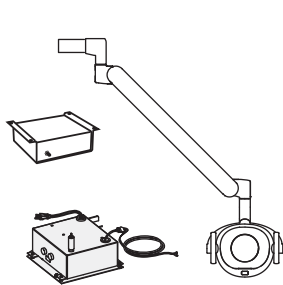
BDS2570SK

X-CALIBUR
Doctor's Dual
Swing Arm Assembly.

(For B50N Chairs ONLY)

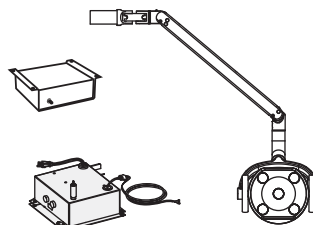
\$2,410

STEP THREE Select LED Light Sub-Assembly



AL120X

Bel-Nova LED
Light Sub-Assembly



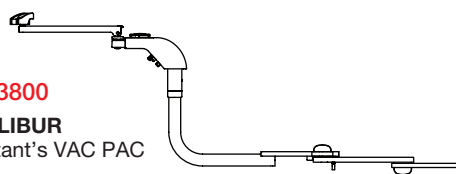
AL320X

Clesta LED
Light Sub-Assembly

\$3,400

\$4,250

STEP FOUR (OPTIONAL) Select Assistant's Instruments VAC PAC



BDS3800

X-CALIBUR
Assistant's VAC PAC

(For B50N Chairs ONLY)

\$2,470

X-CALIBUR DELIVERY SYSTEMS

Standard Features For X-Calibur Chair-Mounted Left-Right Delivery Systems With Clesta LED Light	
• Doctor's Control	
3 Handpiece Automatic Control	
Individual Handpiece Pressure Adjustment	
Individual Handpiece Water Coolant Adjustment	
Master Handpiece Air Coolant Adjustment	
Non-retracting Water Coolant	
Master On/Off	
Handpiece Flush	
4 Hole Straight Gray Asepsis Tubing with Midwest Style Connector	
1 Doctor Syringe	
Wet/Dry Foot Control	
Stainless Steel Tray with Non-Slip Pad	
• Arm System	
Balance Arm with Pneumatic Brake	
Swing Arm For Doctor's Control With Friction Adjustment	
Light Swing Arm And Curved Post (For Belmont Clesta LED Curved Post Light)	
Built-in Bottled Water System	
Pre-Installed Wire Harness For Field Installed Accessories	
Pre-Installed Wire Harness For Optional UMT0016 Seat Control Touchpad	
• Light	
Clesta LED light	
• Chair Adapter	
Chair Adapter For B50N, B50, B20N, B20+ and B20 Chairs	
• Equipment Utility Center with Air Utility	
5 Foot Umbilical With Connection Collars	
Standard White 15" x 15" x 6" J-Box, JB004	
Air Utility	

Standard Features For X-Calibur Vac Pacs For B50N Chairs	
• (Optional) Assistant Instrument Vac Pac	
4 Position Crescent Shape Holder	
Vacuum Canister With Disposable Solids Collector Screen (Parts Warehouse S1406)	
Break Away Arm	
1 Assistant's Syringe	
1 HVE	
1 SE	
1/4" Water Quick Disconnect With Outlet Flow Control	

X-Calibur Left-Right Delivery Systems With Clesta LED Light



Delivery System:

BDS2570D \$6,420
BDS2570SK* \$2,410
(* Unit includes FGAA14A0 curved light post. Select AL320X or AL120X operator lights, at additional charge)

Operator Light:

AL320X \$3,400

(formerly BDS2573 delivery system with Clesta LED light shown on B50N chair)

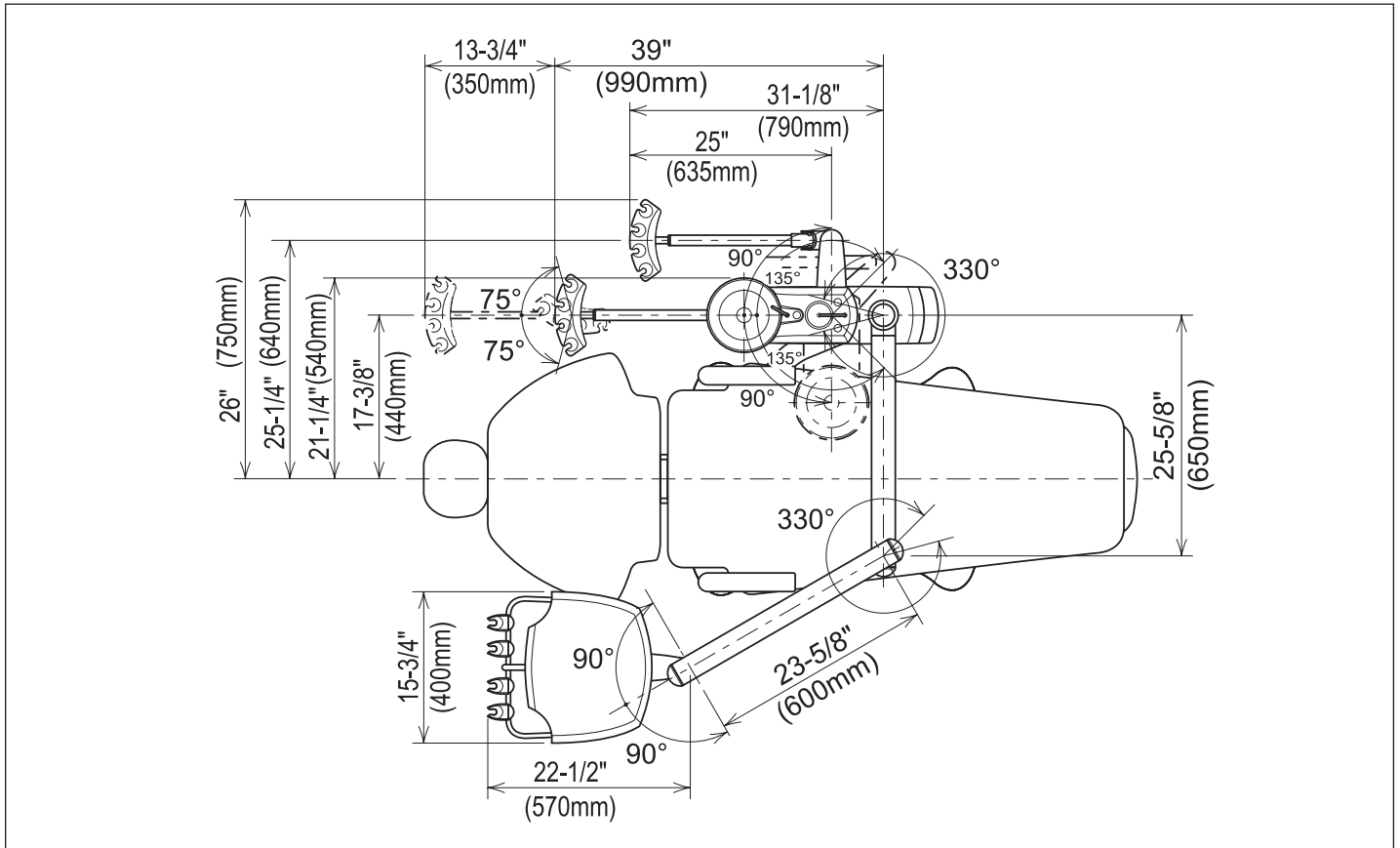


**Assistant Instrument
Vac Pac (Option):**

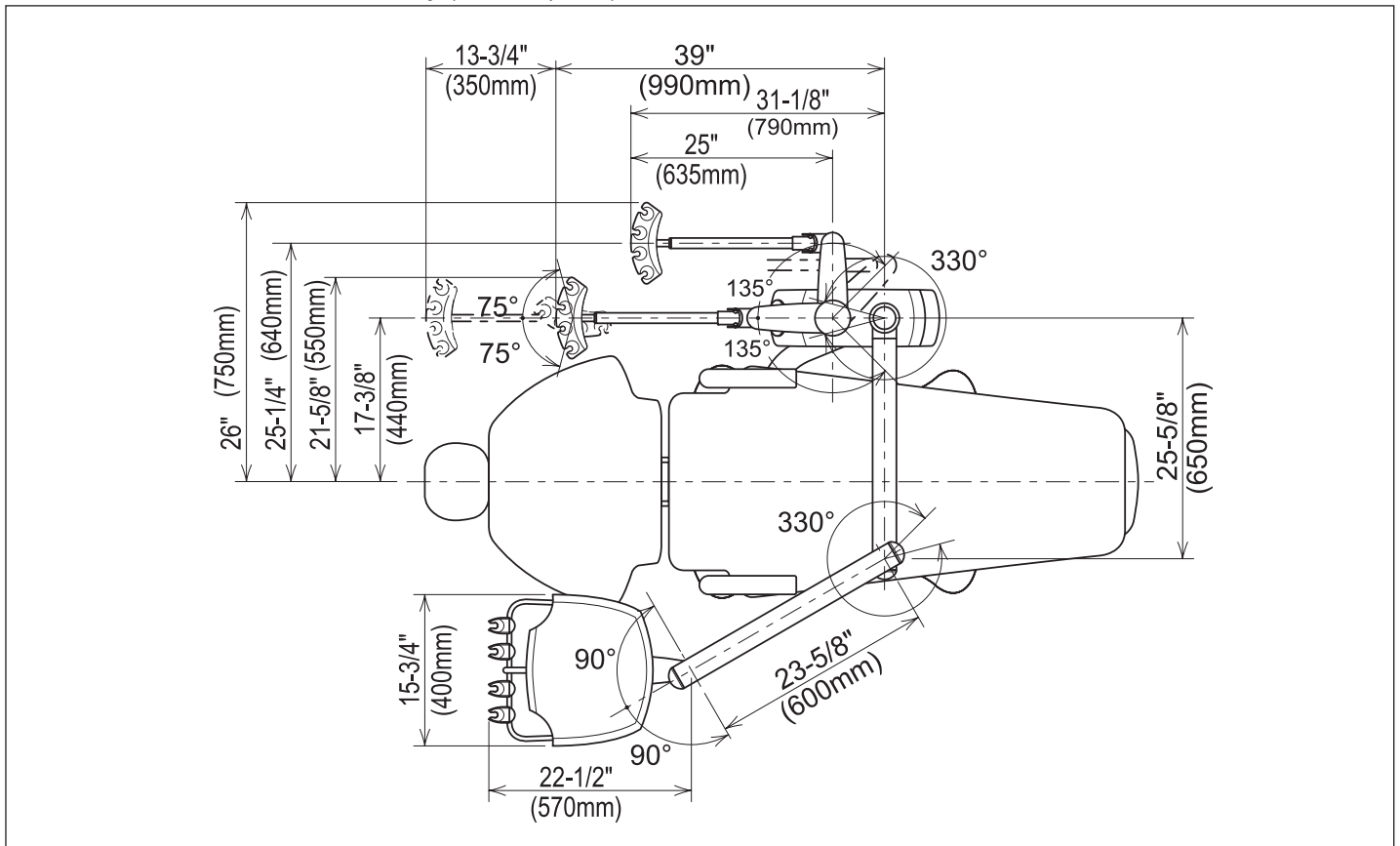
BDS3800 \$2,470

Chair Mounted Delivery Systems X-Calibur Delivery Systems Dimensions

X-Calibur Over-The-Patient Delivery With Cuspidor

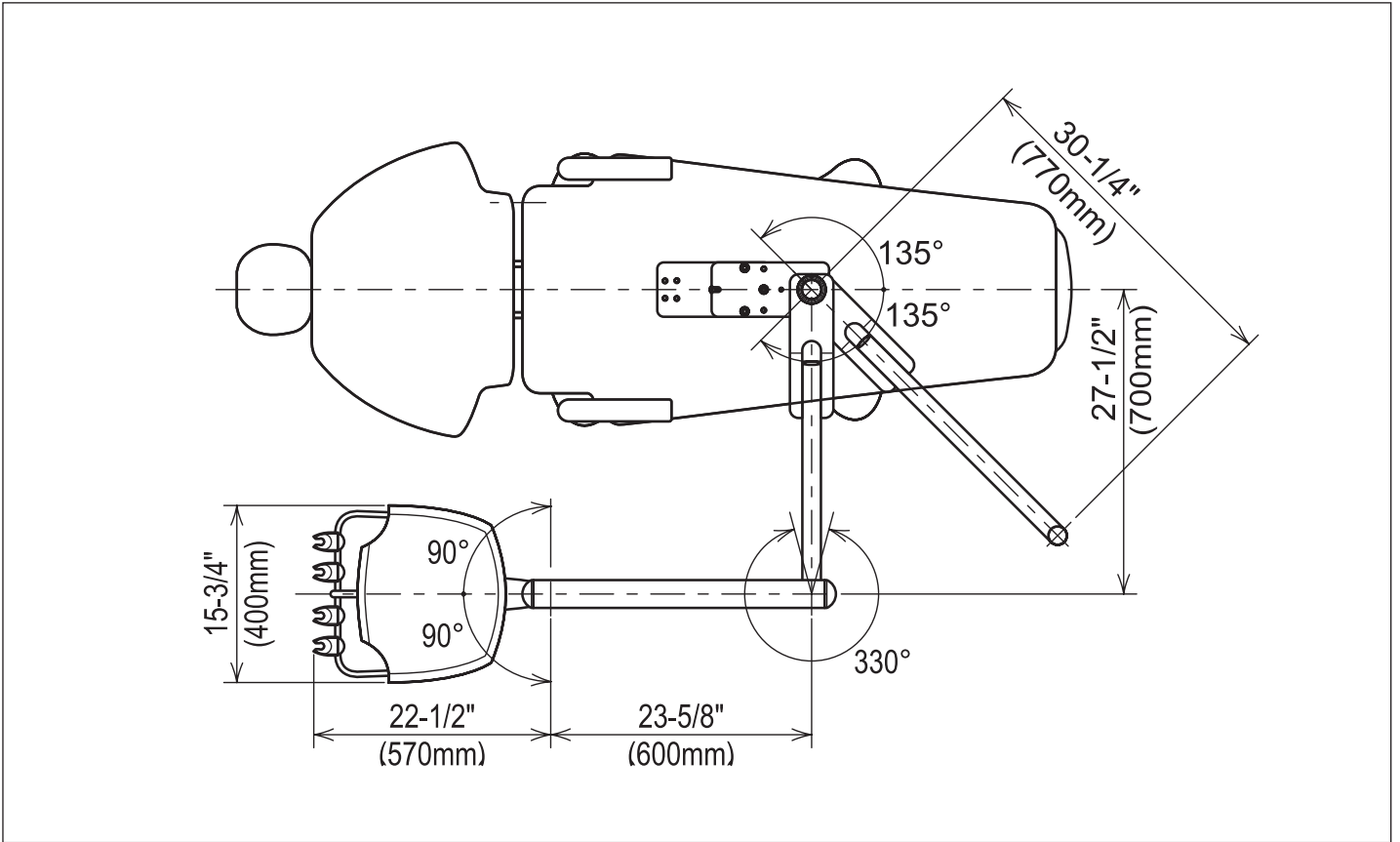


X-Calibur Over-The-Patient Delivery (No Cuspidor)

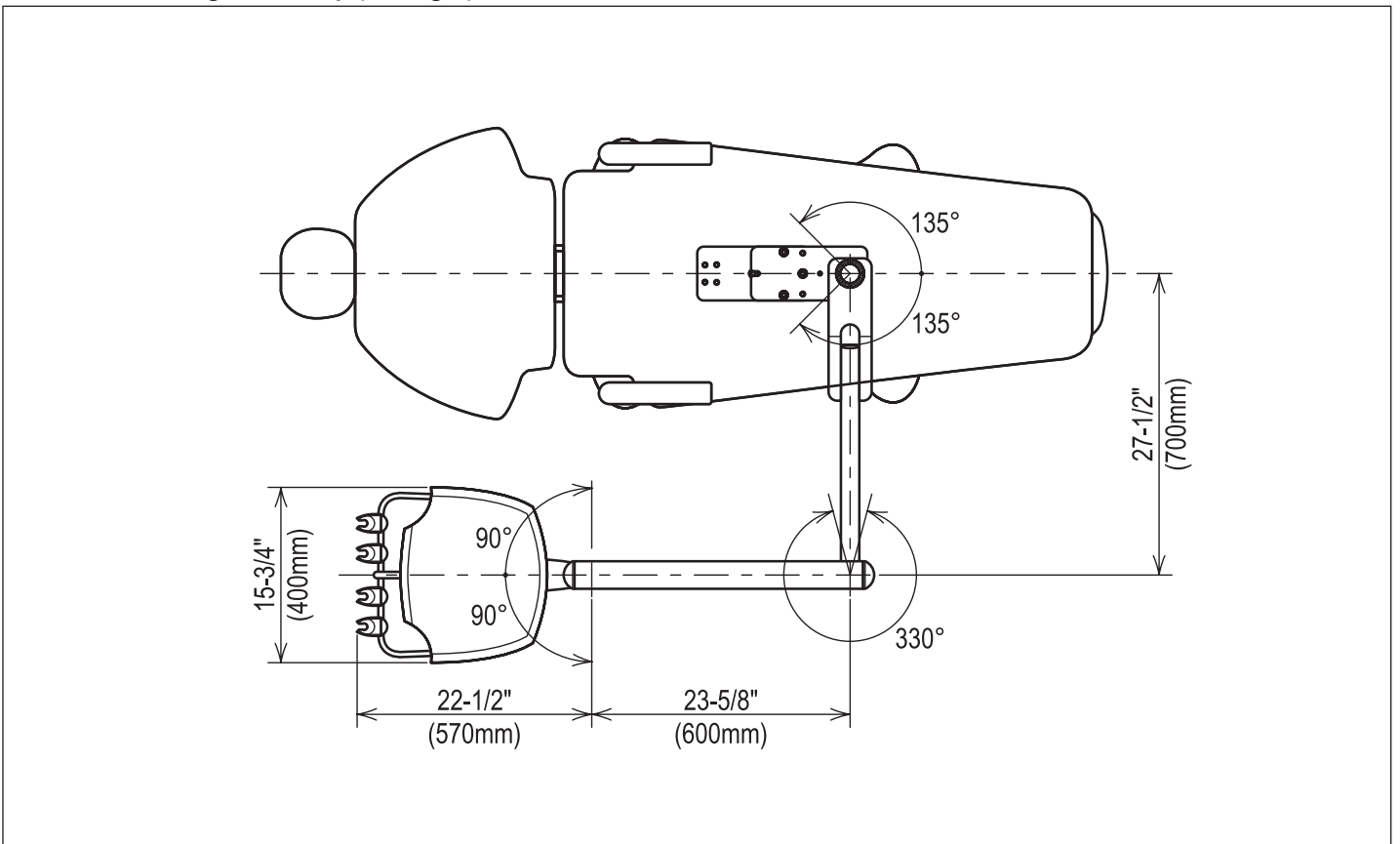


Chair Mounted Delivery Systems X-Calibur Delivery Systems Dimensions

X-Calibur Left-Right Delivery With Light



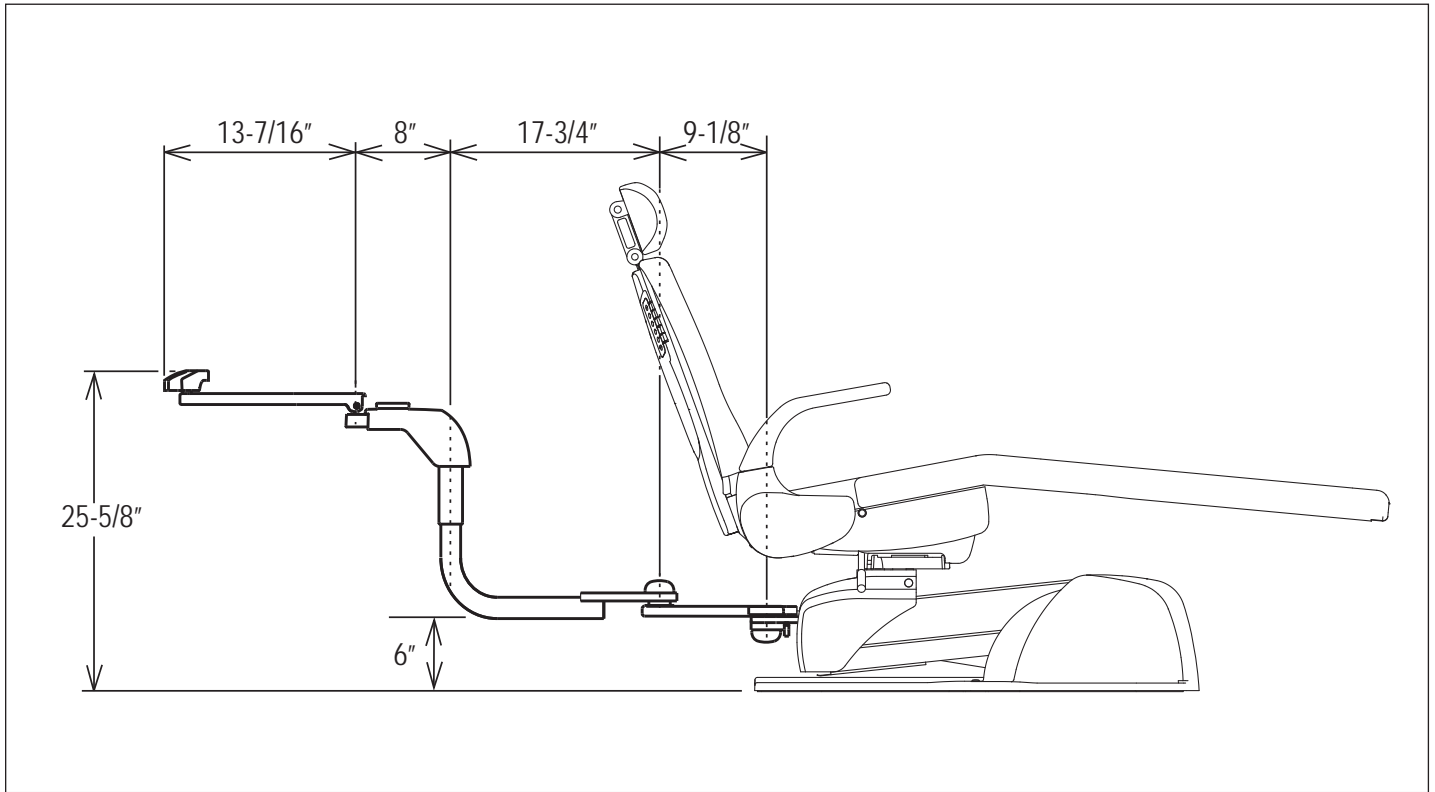
X-Calibur Left-Right Delivery (No Light)



X-CALIBUR DELIVERY SYSTEMS

Chair Mounted Delivery Systems X-Calibur Delivery Systems Dimensions

X-Calibur Assitant's Vac Pac



X-CALIBUR DELIVERY SYSTEMS

Cart & Cabinet Mounted Delivery Systems



Mobile Cart Delivery



PP. 70-71

Side Delivery



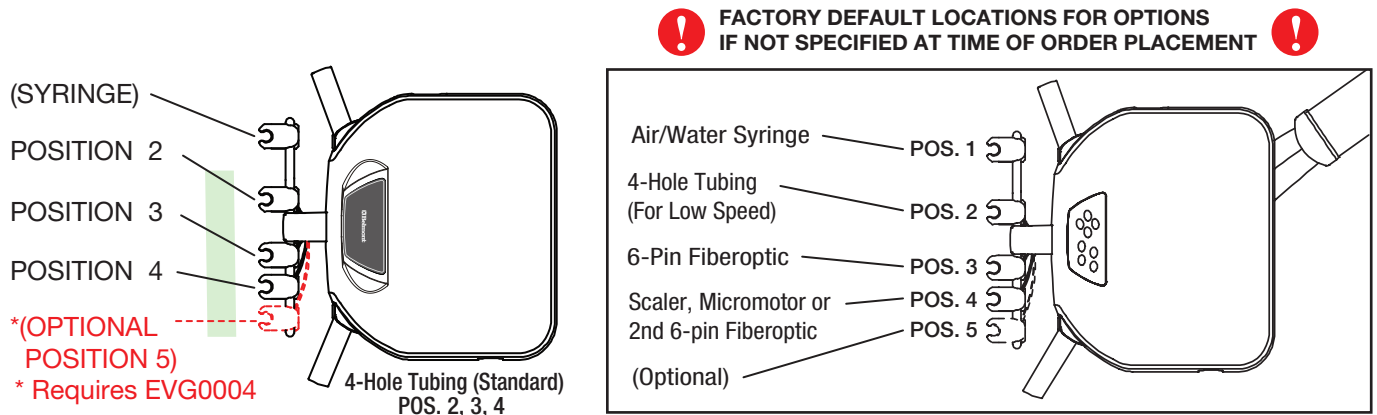
PP. 72-73

Rear Delivery



PP. 74-77

STEP TWO Configure Your Delivery For Options



• Factory Installed Options For EVOGUE Mobile Cart Doctor Delivery

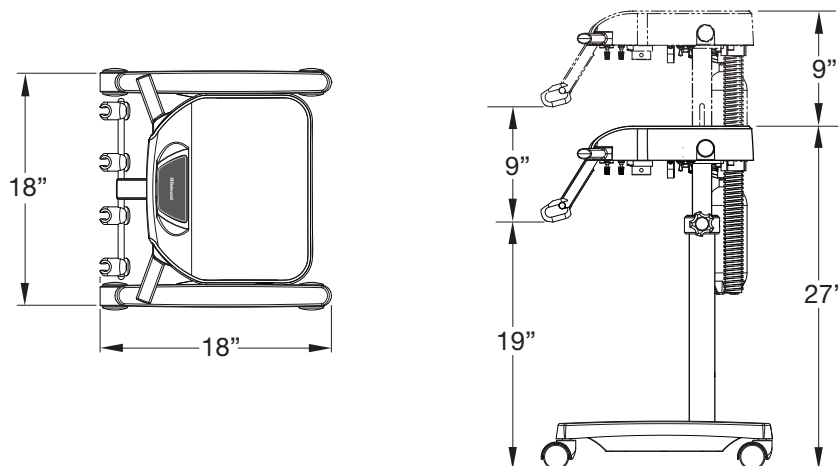
Model	Description	Retail	Option Location Position				
			1	2	3	4	5
EVG0004	Additional (4th Active Holder) HP Holder Position	\$410					
EVG0006	1/4" Air Q.D. and 1/4" Water Q.D. With Water Outlet Flow Control	\$410					
EVG0021	Cavitron Magnetostrictive Scaler, G139 With Steri-mate 360	\$5,260					
EVG0023	SP Newtron Piezo Scaler WITHOUT LED Light (FLEX Continental & Traditional Style Delivery)	\$5,010					
EVG0024	SP Newtron Piezo Scaler With LED Light (FLEX Continental & Traditional Style Delivery)	\$5,925					
EVG00251	Single HP, 6-Pin Fiberoptic System	\$1,270					
EVG00252	Two HP, 6-Pin Fiberoptic System	\$1,525					
EVG0051	Bien Air Optima MX2 Micromotor System With Controller Touchpad	\$6,125					

• Field Installed Options

Model	Description	Retail
EVG0001	Replacement Doctor Table Cover With Seat Positioning Control Touchpad	\$460
1A0Y25A0	Foot Control Storage Shelf	\$205
EVG0006KIT	1/4" Air Q.D. and 1/4" Water Q.D.with Water Outlet Flow Control	\$305
EVG00251KIT	Single HP, 6-Pin Fiberoptic System	\$1,140
EVG00252KIT	Two HP, 6-Pin Fiberoptic System	\$1,410
JB004	Junction Box Cover & Frame	\$305

• Additional Umbilical Length (7 foot Umbilical Length is STANDARD)

Model	Description	Retail
EVGDCUMB9FT	Cart Outer Umbilical Hose with Pull String, 9 Feet Overall Length	\$185
EVGDCUMB12FT	Cart Outer Umbilical Hose with Pull String, 12 Feet Overall Length	\$225



STEP ONE Select Cart



EVG3550

EVOGUE Doctor's Mobile Cart

Includes 7 FT Umbilical & Air Utility
Does not include Optional Seat Positioning Control
Touchpad or Junction Box

\$5,360



1A0Y25A0 Foot Control Storage Shelf Option



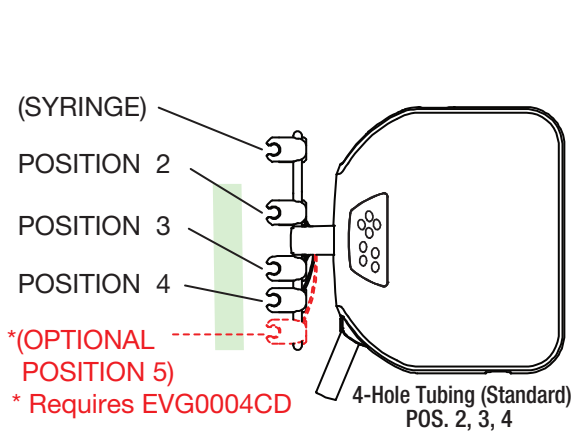
EVG0001 Doctor Table Cover With Seat Positioning Control Touchpad Option

Standard Features For EVOGUE Doctor's Mobile Cart Delivery System

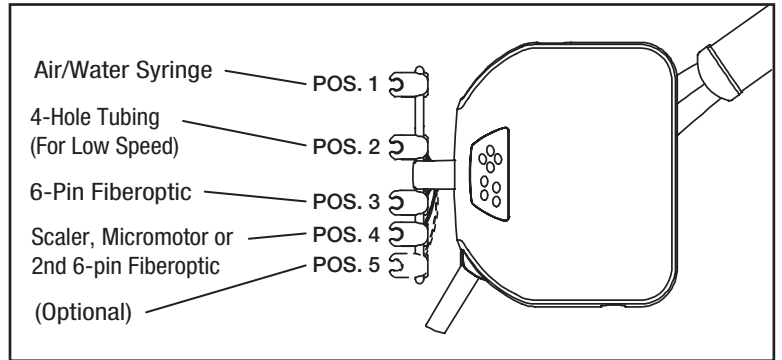
• **Doctor's Control**

3 Handpiece Automatic Control	•
Individual Handpiece Pressure Adjustment	•
Individual Handpiece Water Coolant Adjustment	•
Master Handpiece Air Coolant Adjustment	•
Non-retracting Water Coolant	•
Master On/Off	•
Handpiece Flush	•
4 Hole Straight Gray Asepsis Tubing with Midwest Style Connector	•
1 Doctor Syringe	•
Wet/Dry Foot Control	•
Stainless Steel Tray with Non-Slip Pad	•
Built-in Bottled Water (Only) System	•
Pre-Installed Wire Harness For Factory Installed Options	•
Pre-Installed Wire Harness For Connecting Replacement Doctor Table Cover With Seat Positioning Control Touchpad	•
Air Utility (Only)	•

Configure Your Delivery For Options



! FACTORY DEFAULT LOCATIONS FOR OPTIONS IF NOT SPECIFIED AT TIME OF ORDER PLACEMENT !



• Factory Installed Options For EVG3555 Delivery Heads

Factory Installed Options For EVOGUE EVG3555 Doctor's Delivery

Model	Description	Retail	Option Location Position				
			1	2	3	4	5
EVG0004	Additional (4th Active Holder) HP Holder Position (Factory Installed)	\$410					
EVG0021	Cavitrion Magnetostrictive Scaler, G139 With Steri-mate 360 (Factory Installed)	\$5,260					
EVG0023	SP Newtron Piezo Scaler WITHOUT LED Light (FLEX Continental & Traditional Style Delivery)	\$5,010					
EVG0024	SP Newtron Piezo Scaler With LED Light (FLEX Continental & Traditional Style Delivery)	\$5,925					
EVG00251	Single HP, 6-Pin Fiberoptic System (Factory Installed)	\$1,270					
EVG00252	Two HP, 6-Pin Fiberoptic System (Factory Installed)	\$1,525					
EVG0052	Bien Air Optima MX2 Micromotor System With Controller Touchpad (Factory Installed)	\$6,125					

• Field Installed Options

Model	Description	Retail
EVG00251KIT	Single HP, 6-Pin Fiberoptic System (Field Installed)	\$1,140
EVG00252KIT	Two HP, 6-Pin Fiberoptic System (Field Installed)	\$1,410
EVGUMB12FT	12 Foot Umbilical for ALL EVOGUE Delivery Systems (Field Installed)	\$815

Recommended Belmont Cabinet For EVG3555:
D1, D4RH, KSCM1LS2, KSCM1RS2, F4R, F4L & ECO1

Cabinet Mounted Side Delivery System EVOGUE

Model EVG3555

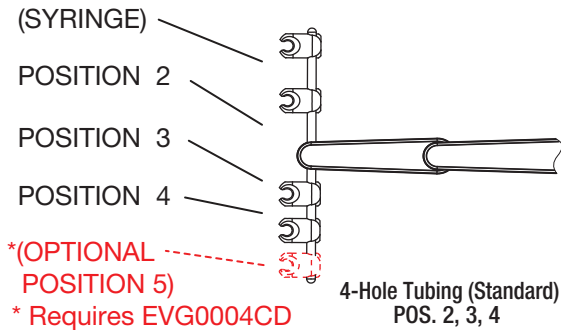
\$9,210



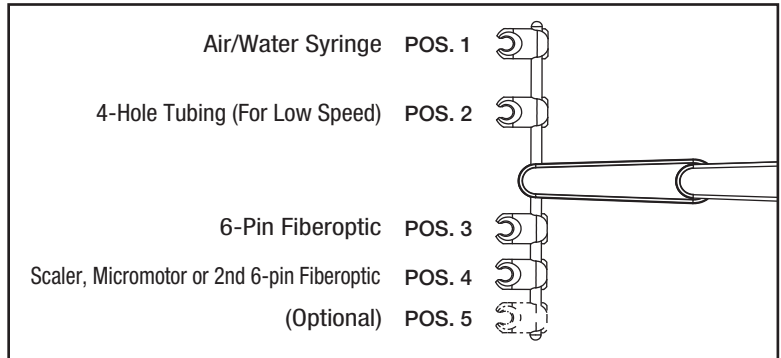
EVG3555 Doctor's Cabinet Mounted Side Delivery System

Cabinet Mounted Side Delivery	
Model EVG3555 - Doctor's Cabinet Mounted Side Delivery System	
• Doctor's Control	
3 Handpiece Automatic Control	•
Individual Handpiece Pressure Adjustment	•
Individual Handpiece Water Coolant Adjustment	•
Master Handpiece Air Coolant Adjustment	•
Cabinet Mounted Bottled Water System	•
Water Coolant Relay With Master On/Off	•
Handpiece Flush	•
4 Hole Straight Gray Asepsis Tubing with Midwest Style Connector	•
1 Doctor Syringe	•
Wet/Dry Foot Control with Signal Relay	•
Stainless Steel Tray with Non-Slip Pad	•
Built-in Seat Positioning Touchpad	•
• Arm System	
Balance Arm with Pneumatic Brake	•
Wire Harness for For Factory Installed Options	•
Wire Harness for For Standard Built-in Seat Positioning Touchpad	•
Cabinet Mounting Bracket Assembly	•
• Equipment Utility Center	
30" Umbilical Length	•
23 Ft. Touchpad Wire Harness Length	•
Air Utility with Shut Off Valve	•

Configure Your Delivery For Options



! FACTORY DEFAULT LOCATIONS FOR OPTIONS IF NOT SPECIFIED AT TIME OF ORDER PLACEMENT !



• Factory Installed Options For EVG3561 Delivery Heads

Factory Installed Options For EVOGUE EVG3561 Doctor's Delivery

Model	Description	Retail	Option Location Position				
			1	2	3	4	5
EVG0004	Additional (4th Active Holder) HP Holder Position (Factory Installed)	\$410					
EVG0021	Cavitron Magnetostrictive Scaler, G139 With Steri-mate 360 (Factory Installed)	\$5,260					
EVG0023	SP Newtron Piezo Scaler WITHOUT LED Light (FLEX Continental & Traditional Style Delivery)	\$5,010					
EVG0024	SP Newtron Piezo Scaler With LED Light (FLEX Continental & Traditional Style Delivery)	\$5,925					
EVG00251	Single HP, 6-Pin Fiberoptic System (Factory Installed)	\$1,270					
EVG00252	Two HP, 6-Pin Fiberoptic System (Factory Installed)	\$1,525					
EVG0054R	Bien Air Optima MX2 Micromotor System With Controller Touchpad (Factory Installed)	\$6,125					

• Field Installed Options

Model	Description	Retail
90-175KIT	Additional HVE with Tubing	\$185
EVG00251KIT	Single HP, 6-Pin Fiberoptic System (Field Installed, EVG3561)	\$1,140
EVG00252KIT	Two HP, 6-Pin Fiberoptic System (Field Installed, EVG3561)	\$1,410

Recommended Belmont Cabinet For EVG3561 and EVG3563:
D5CM, D66CM, K66SS, K66SSLW, F66 & ECO6

Cabinet Mounted Rear Delivery Systems EVOGUE

Model EVG3561 **\$6,430**



EVG3561 Twelve O'Clock Left/Right Doctor and Assistant Delivery

Model EVG3563 **\$4,290**



EVG3563 Twelve O'Clock Left/Right Assistant's Instruments

Cabinet Mounted Twelve O'Clock Delivery		
Model EVG3561 - Doctor & Assistant's Left-Right Delivery		
Model EVG3563 - Assistant's Left-Right Instruments		
• Doctor's Control		
3 Handpiece Automatic Control		•
Individual Handpiece Pressure Adjustment		•
Individual Handpiece Water Coolant Adjustment		•
Master Handpiece Air Coolant Adjustment		•
Non-retracting Water Coolant		•
Master On/Off		•
Handpiece Flush		•
4 Hole Straight Gray Asepsis Tubing with Midwest Style Connector		•
1 Doctor Syringe		•
Wet/Dry Foot Control with Signal Relay		•
Stainless Steel Tray with Non-Slip Pad		•
1/4" Water (Blue) Quick Disconnect with Outlet Flow Control	•	•
1/4" Air (Yellow) Quick Disconnect	•	•
Factory Installed Wire Harness For Factory Installed Options Disconnect	•	•
• Water System		
Built-in Bottled Water (Only) System With Water Bottle Quick Disconnect	•	•
• Assistant Instruments		
4 Position Crescent Shape Holder	•	•
Vacuum Canister with Solids Collector Screen (Parts Warehouse S1406)	•	•
1 Assistant's Syringe	•	•
1 HVE	•	•
1 SE	•	•
• Junction Box with Air Utility		
Air Utility (No J-box. Cabinet base serves as J-box)	•	•

Please Note: Worksurfaces and Cabinet and are not part of the EVG3561 and EVG3563 Delivery Systems

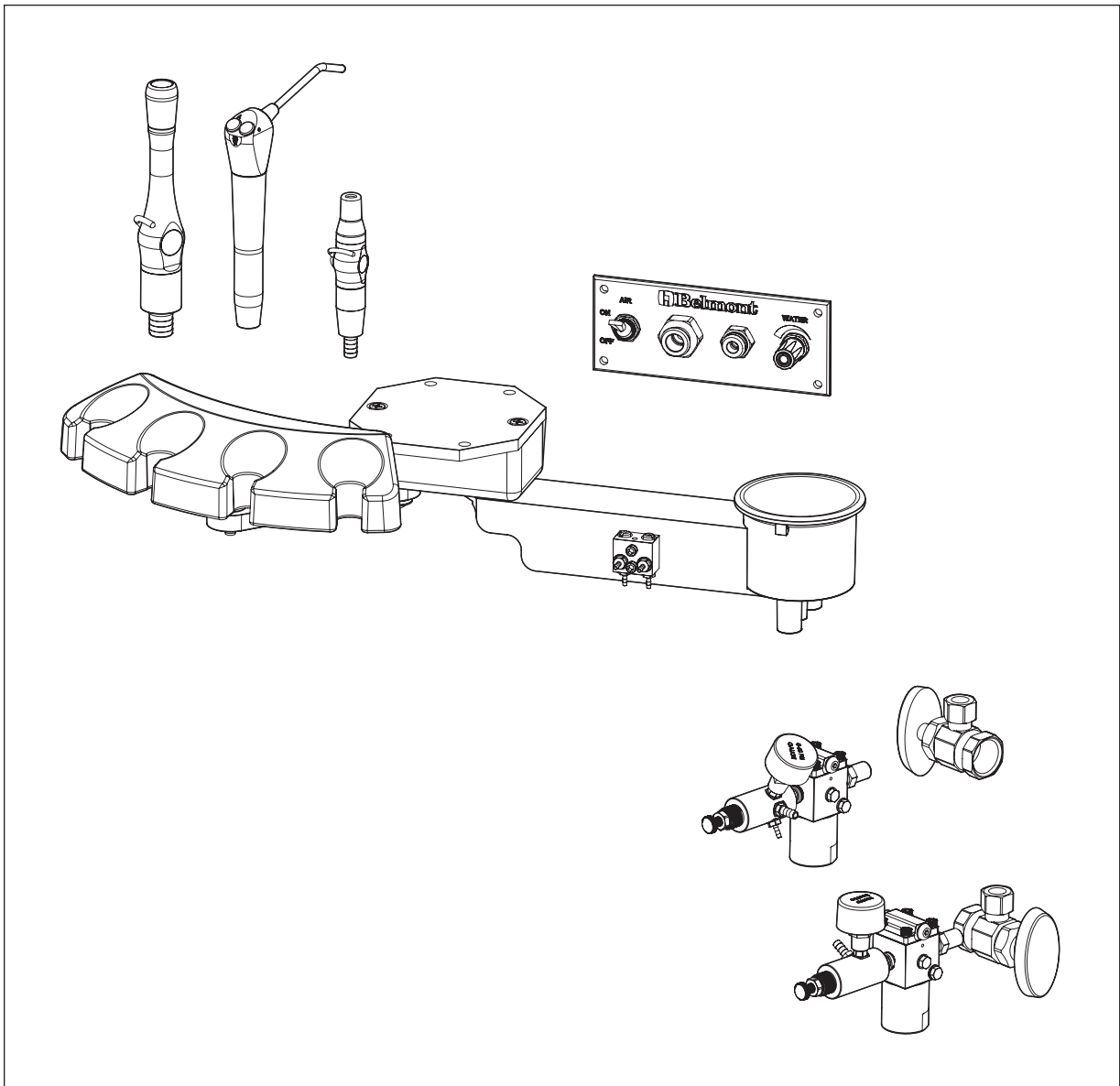


EVG3561 Twelve O'Clock Left/Right Doctor and Assistant Delivery Shown attached to the 4-way sliding work surface on an F66 Lower Cabinet

• Field Installed Options

Model	Description	Retail
90060	City/Bottle Selector Switch Kit	\$180
90-175KIT	Additional HVE with Tubing	\$185
90055	Bottled Water System for mounting to vertical surfaces and underneath worksurface	\$530

Recommended Belmont Cabinet:
ECO6



BDS2571 Assistant's Unit includes HVE, Syringe, SE, Air & Water Q.D. Panel, Air & Water Floor Utilities. (Tubing and Hoses not shown)

Cabinet Mounted Assistant's Instruments X-Calibur

Model BDS2571

\$1,750



BDS2571 Assistant's Unit shown on a ECO6 Cabinet

Cabinet-Mounted Assistant's Vacuum Package

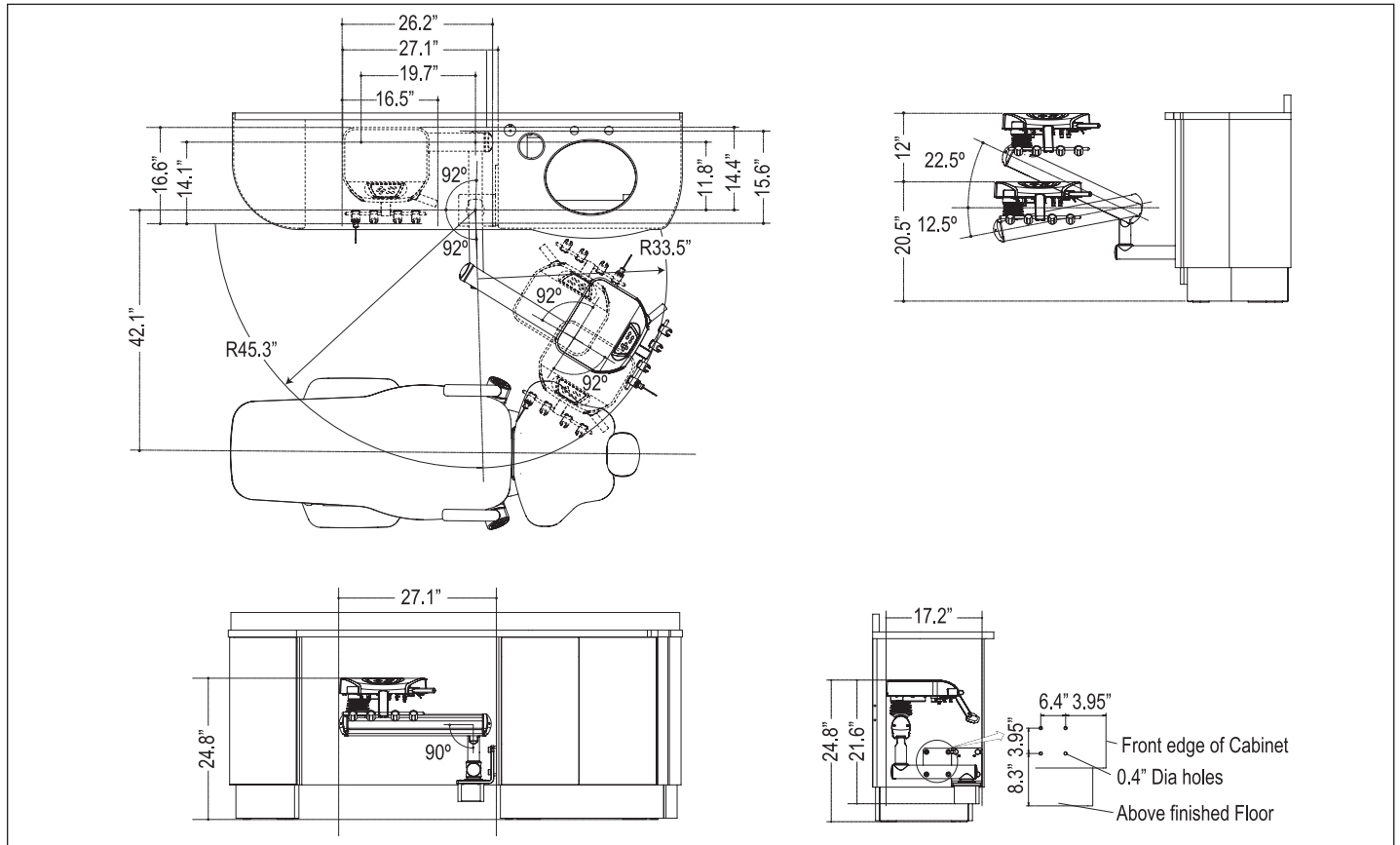
Model BDS2571 - Assistant's Instruments

• Assistant's Instrument Arm	
4 Position Crescent Holder	•
1 Assistant Syringe	•
1 HVE	•
1 SE	•
Arm-Mounted Vacuum Canister	•
With Disposable Solids Collector Screen Replacement Screens: (Parts Warehouse S1406)	•
1/4" Water Outlet with Flow Control	•
3/8" Air Quick Disconnect	•
• Equipment Utilities (No J-Box)	
Air and Water Utilities and Shut Off Valves	•

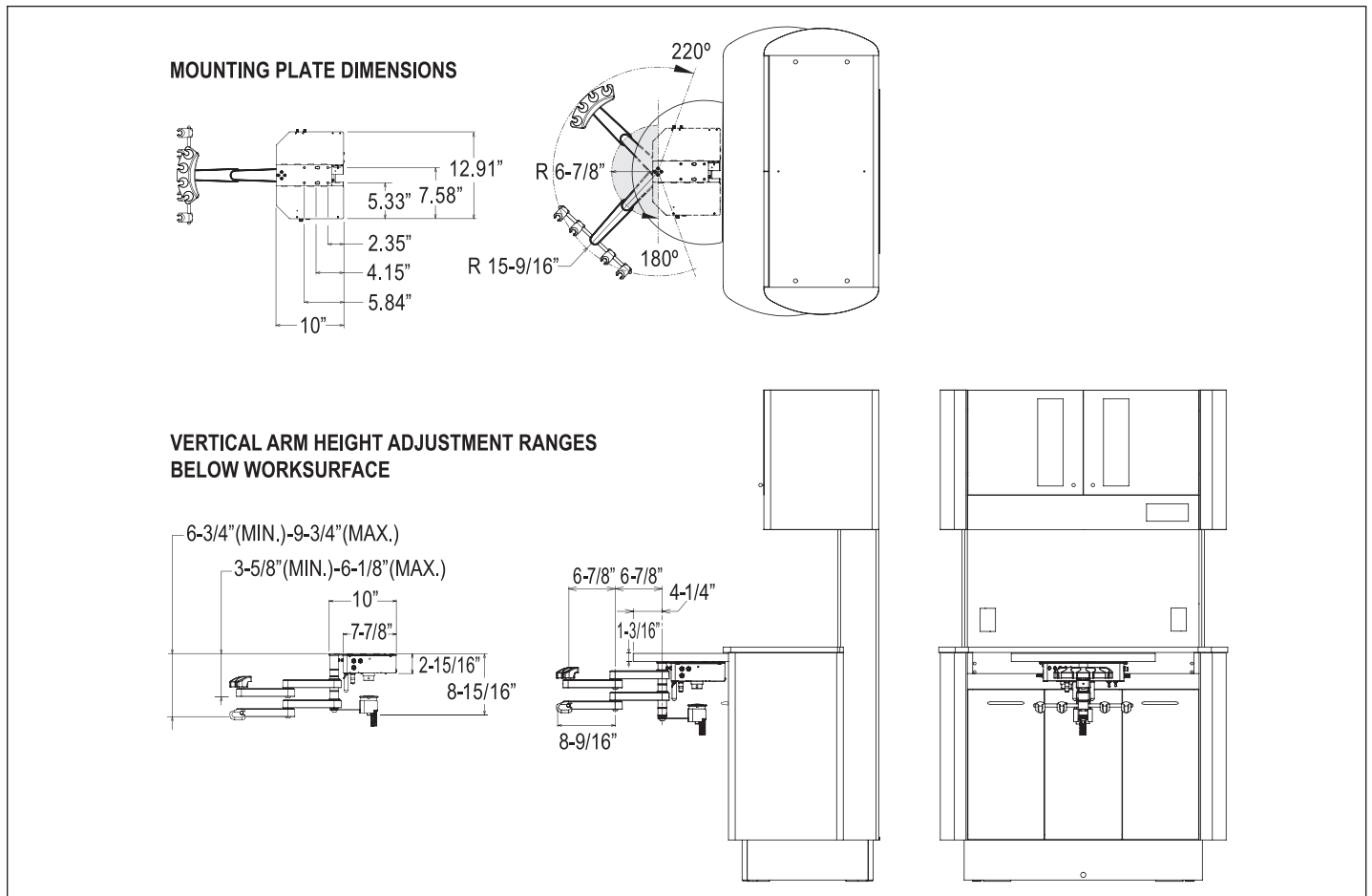
Please Note: Worksurfaces and Cabinet and are not part of the BDS2571 Assistant's Instruments

Cabinet Mounted Side & Rear Delivery Systems EVOGUE

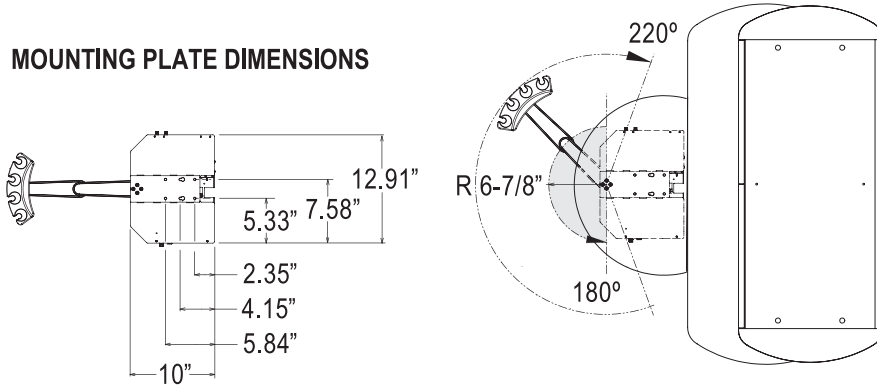
EVG3555 Dimensions



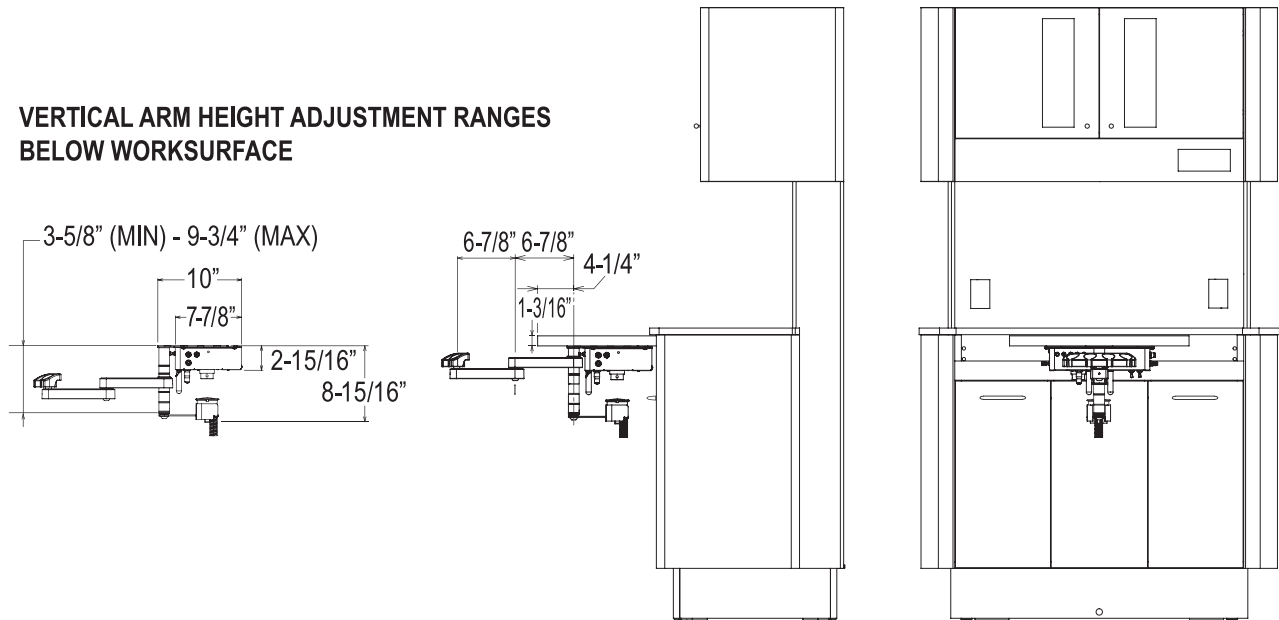
EVG3561 Dimensions



MOUNTING PLATE DIMENSIONS



VERTICAL ARM HEIGHT ADJUSTMENT RANGES BELOW WORKSURFACE



Delivery Systems



EVOGUE Doctor's Mobile Cart Delivery System



X-Calibur Series Delivery Systems



Cabinet Mounted Delivery Systems



EVOGUE Delivery Systems Traditional Style



EVOGUE FLEX Delivery Systems Continental Style

Operatory Lights



Track Mounted



PP. 82-83

Ceiling Mounted



PP. 84-85

Stand-Alone Left-Right Swing



P. 86

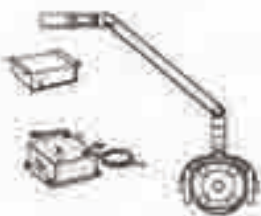
Straight Post Mounted



P. 87

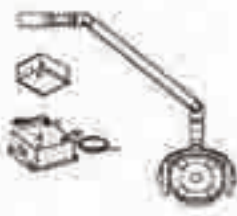
Light Assemblies For Curved Posts

For Evogue Units



P. 88

For X-Calibur Units



P. 89

Cabinet Mounted



P. 90

Wall Mounted



P. 91

Light Specifications



P.92

Operatory Lights Track Lights

Track Lights



Operatory Light:
AL995 Bel-Halo LED
(formerly model AL905)



Operatory Light:
AL105 Bel-Nova LED

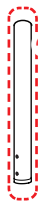


Operatory Light:
AL305 Clesta LED

Operatory Lights Track Lights

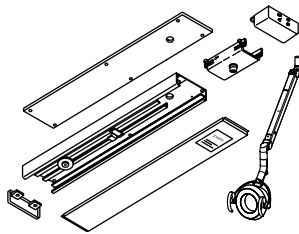
Bel-Halo LED Track Lights

STEP ONE Order A Suspension Post (NOT INCLUDED WITH LIGHT)



Part Number	Operatory Ceiling Height	Post Length (Inches)	Retail
LPTTG8	8 Feet	15	\$420
LPBTG8.5	8-1/2 Feet	20-7/8	\$420
LPBTG9	9 Feet	26-3/4	\$420
LPBTG9.5	9-1/2 Feet	33	\$420
LPBTG10	10 Feet	39-3/8	\$420

STEP TWO Order Light Head and Track Sub-Assemblies (SUSPENSION POST NOT INCLUDED)



AL995

Bel-Halo LED Light Head and Track Sub-Assemblies

\$7,670

Options	Retail
1G02WLA0 Mirror Kit (GREY)	\$295

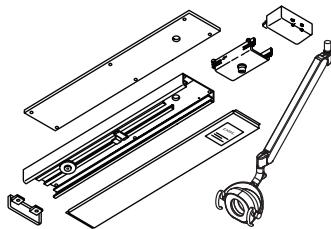
Bel-Nova LED Track Lights

STEP ONE Order A Suspension Post (NOT INCLUDED WITH LIGHT)



Part Number	Operatory Ceiling Height	Post Length (Inches)	Retail
LPTTG8	8 Feet	15	\$420
LPBTG8.5	8-1/2 Feet	20-7/8	\$420
LPBTG9	9 Feet	26-3/4	\$420
LPBTG9.5	9-1/2 Feet	33	\$420
LPBTG10	10 Feet	39-3/8	\$420

STEP TWO Order Light Head and Track Sub-Assemblies (SUSPENSION POST NOT INCLUDED)



AL105

Bel-Nova LED Light Head and Track Sub-Assemblies

\$6,790

Options	Retail
1P05XXA0 Mirror Kit (GREY)	\$295

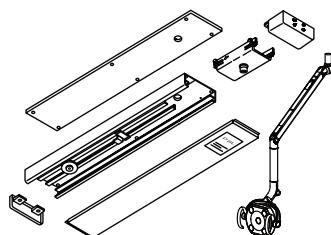
Clesta LED Track Lights

STEP ONE Order A Suspension Post (NOT INCLUDED WITH LIGHT)



Part Number	Operatory Ceiling Height	Post Length (Inches)	Retail
LPTTG8	8 Feet	15	\$420
LPBTG8.5	8-1/2 Feet	20-7/8	\$420
LPBTG9	9 Feet	26-3/4	\$420
LPBTG9.5	9-1/2 Feet	33	\$420
LPBTG10	10 Feet	39-3/8	\$420

STEP TWO Order Light Head and Track Sub-Assemblies (SUSPENSION POST NOT INCLUDED)



AL305C

Clesta LED Light Head and Track Sub-Assemblies

\$5,950

Operatory Lights Ceiling Mounted Lights

Ceiling Mounted Lights



Operatory Light:

AL992 Bel-Halo LED
(formerly model AL902)



Operatory Light:

AL102 Bel-Nova LED



Operatory Light:

AL302 Clesta LED

Operatory Lights Ceiling Mounted Lights

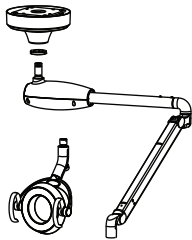
Bel-Halo LED Ceiling Lights

STEP ONE Order A Suspension Post (NOT INCLUDED WITH LIGHT)



Part Number	Operatory Ceiling Height	Post Length (Inches)	Retail
LPCCG8	8 Feet	15	\$290
LPCCG8.5	8-1/2 Feet	20-7/8	\$290
LPCCG9	9 Feet	26-3/4	\$290
LPCCG9.5	9-1/2 Feet	33	\$290
LPCCG10	10 Feet	39-3/8	\$290

STEP TWO Order Light Head and Ceiling Sub-Assemblies (SUSPENSION POST NOT INCLUDED)



AL992

Bel-Halo LED Ceiling Light Sub-Assembly

\$6,410

Options	Retail
1G02WLA0 Mirror Kit (GREY)	\$295

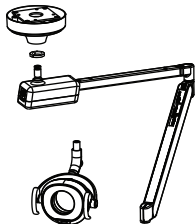
Bel-Nova LED Ceiling Lights

STEP ONE Order A Suspension Post (NOT INCLUDED WITH LIGHT)



Part Number	Operatory Ceiling Height	Post Length (Inches)	Retail
LPCCG8	8 Feet	15	\$290
LPCCG8.5	8-1/2 Feet	20-7/8	\$290
LPCCG9	9 Feet	26-3/4	\$290
LPCCG9.5	9-1/2 Feet	33	\$290
LPCCG10	10 Feet	39-3/8	\$290

STEP TWO Order Light Head and Ceiling Sub-Assemblies (SUSPENSION POST NOT INCLUDED)



AL102

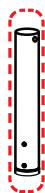
Bel-Nova LED Ceiling Light Sub-Assembly

\$5,520

Options	Retail
1P05XXA0 Mirror Kit (GREY)	\$295

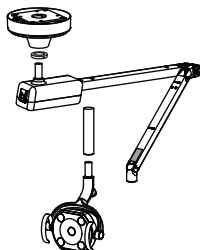
Clesta LED Ceiling Lights

STEP ONE Order A Suspension Post (NOT INCLUDED WITH LIGHT)



Part Number	Operatory Ceiling Height	Post Length (Inches)	Retail
LPCCG8	8 Feet	15	\$290
LPCCG8.5	8-1/2 Feet	20-7/8	\$290
LPCCG9	9 Feet	26-3/4	\$290
LPCCG9.5	9-1/2 Feet	33	\$290
LPCCG10	10 Feet	39-3/8	\$290

STEP TWO Order Light Head and Ceiling Sub-Assemblies (SUSPENSION POST NOT INCLUDED)



AL302C

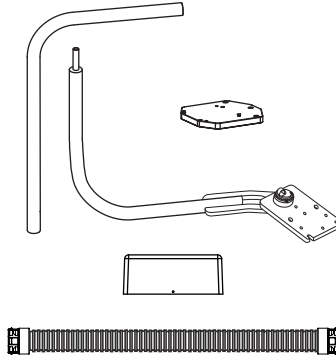
Clesta LED Ceiling Light Sub-Assembly

\$4,670

Operatory Lights Stand-Alone Left-Right Swing Mounted Lights Without Delivery Systems

STEP ONE Select Swing Arm Sub-Assembly for Light

A. For B50N Chairs ONLY

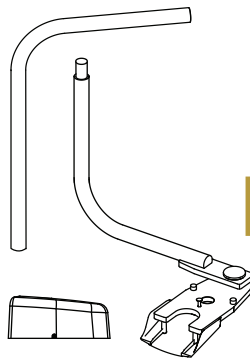


AU-HV3230SX

Light Swing Arm Sub-Assembly
For B50N Chairs ONLY

\$3,150

B. For Q5500 & Q3300
Chairs ONLY

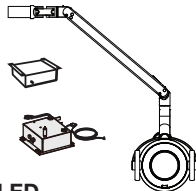


AU-HV3330SQ

Light Swing Arm Sub-Assembly
For Q5500 and Q3300 Chairs ONLY

\$3,150

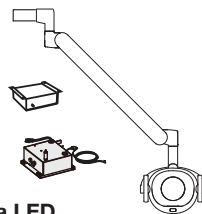
STEP TWO Select Light Sub-Assembly



AL990E

Bel-Halo LED
Light Sub-Assembly

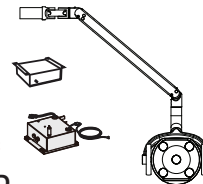
\$5,150



AL120E

Bel-Nova LED
Light Sub-Assembly

\$4,250



AL320XC

Clesta LED
Light Sub-Assembly

\$3,400

• Field Installed Options For Lights

Model	Description	Retail
1G02WMA0	Mirror Kit For AL990E	\$295
1P05XXA0	Mirror Kit For AL120E	\$295

Operatory Lights Lights For Straight Posts

Bel-Halo LED Post Mounted Lights For Straight Light Posts

Model	Description	Retail
AL991	Bel-Halo LED Post Mounted Light (GREY)	\$5,670
AL991R	Bel-Halo LED Post Mounted Light (WHITE)	\$5,670

Options		Retail
1G02WLA0	Mirror Kit For AL991 Light (GREY)	\$295
1G02WMA0	Mirror Kit For AL991R Light (WHITE)	\$295
8482B	48" x 2" O.D. Straight Light Post (WHITE). Requires Chair Adapter	\$375
EVG0012	43" x 2" O.D. Straight Light Post (GREY), for EVOGUE PMU Mounting	\$610
BDS0012	24" x 2" O.D. Straight Light Post (WHITE), for X-Calibur PMU Mounting	\$410



**Bel-Halo LED Light
for Straight Light Posts**
(formerly models AL901 and AL901R)
(Light Post Shown is Not Included)

Bel-Nova LED Post Mounted Lights For Straight Light Posts

Model	Description	Retail
AL101	Bel-Nova LED Post Mounted Light (GREY)	\$4,780
AL101R	Bel-Nova LED Post Mounted Light (WHITE)	\$4,780

Options		Retail
1P05XXA0	Mirror Kit For AL991 Light (GREY)	\$295
1P05U9A0	Mirror Kit For AL991R Light (WHITE)	\$295
8482B	48" x 2" O.D. Straight Light Post (WHITE). Requires Chair Adapter	\$375
EVG0012	43" x 2" O.D. Straight Light Post (GREY), for EVOGUE PMU Mounting	\$610
BDS0012	24" x 2" O.D. Straight Light Post (WHITE), for X-Calibur PMU Mounting	\$410



**Bel-Nova LED Light
for Straight Light Posts**
(Light Post Shown is Not Included)

Clesta LED Post Mounted Lights For Straight Light Posts

Model	Description	Retail
AL301C	Clesta LED Post Mounted Light (GREY)	\$3,930
AL301R	Clesta LED Post Mounted Light (WHITE)	\$3,930

Options		Retail
8482B	48" x 2" O.D. Straight Light Post (WHITE). Requires Chair Adapter	\$375
EVG0012	43" x 2" O.D. Straight Light Post (GREY), for EVOGUE PMU Mounting	\$610
BDS0012	24" x 2" O.D. Straight Light Post (WHITE), for X-Calibur PMU Mounting	\$410



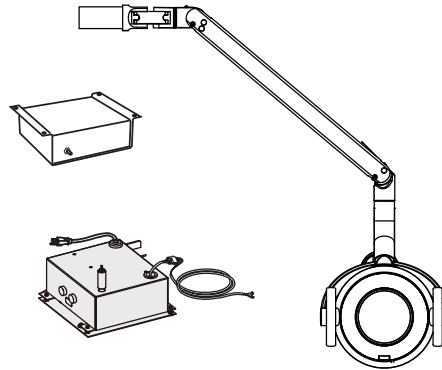
**Clesta LED Light
for Straight Light Posts**
(Light Post Shown is Not Included)

Operatory Lights Bel-Halo, Bel-Nova & Clesta LED Light Sub-Assemblies for (EVG) Delivery Systems

Bel-Halo LED Light Sub-Assembly / For EVG Delivery System Curved Post Lights ONLY

Model	Description	Retail
AL990E	Bel-Halo LED Light Head Sub-Assembly for EVG Delivery Systems ONLY (Grey Finish) NOTE: Curved Post Included With EVG Swing Mounted Delivery, but NOT INCLUDED with EVG OTP Delivery	\$5,150

Options	Retail
1G02WLA0 Mirror Kit (Grey)	\$295



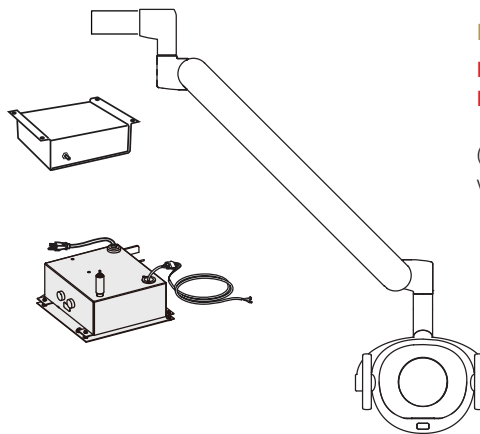
**Bel-Halo LED Sub-Assembly
For EVG
Delivery Systems ONLY**

(Curved Post is NOT Included with Light Sub-Assembly.)

Bel-Nova LED Light Sub-Assembly / For EVG Delivery System Curved Post Lights ONLY

Model	Description	Retail
AL120E	Bel-Nova LED Light Head Sub-Assembly for EVG Delivery Systems ONLY (Grey Finish) NOTE: Curved Post Included With EVG Swing Mounted Delivery, but NOT INCLUDED with EVG OTP Delivery	\$4,250

Options	Retail
1P05XXA0 Mirror Kit (Grey)	\$295

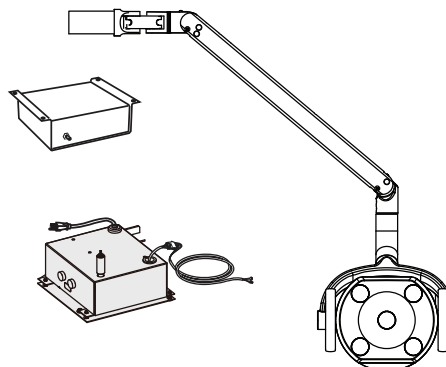


**Bel-Nova LED Sub-Assembly
For EVG
Delivery Systems ONLY**

(Curved Post is NOT Included with Light Sub-Assembly.)

Clesta LED Light Sub-Assembly / For EVG Delivery System Curved Post Light ONLY

Model	Description	Retail
AL320XC	Clesta LED Light Head Sub-Assembly for EVG Delivery Systems ONLY (Grey Finish) NOTE: Curved Post Included With EVG Swing Mounted Delivery, but NOT INCLUDED with EVG OTP Delivery	\$3,400



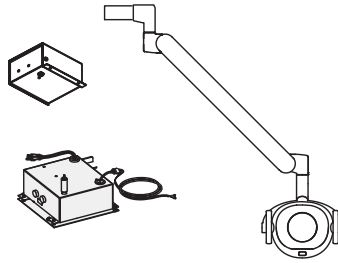
**Clesta LED Sub-Assembly
For EVG
Delivery Systems ONLY**

(Curved Post is NOT Included with Light Sub-Assembly.)

Bel-Nova LED Light Sub-Assembly / For BDS Over-The-Patient Delivery System Curved Post Lights ONLY

Model	Description	Retail
AL120XN	Bel-Nova LED Light Head Sub-Assembly for BDS Over-The-Patient Delivery Systems ONLY (White Finish) NOTE: Curved Post Included With BDS OTP Delivery System	\$4,250

Options		Retail
1P05U9A0	Mirror Kit (White)	\$295



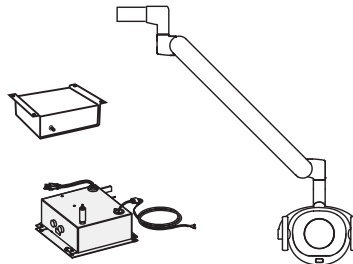
**Bel-Nova LED Sub-Assembly
For BDS
Over-The-Patient
Delivery Systems ONLY**

(Curved Post is NOT Included with Light Sub-Assembly.)

Bel-Nova LED Light Sub-Assembly / For BDS Left-Right Swing Delivery System Curved Post Light ONLY

Model	Description	Retail
AL120X	Bel-Nova LED Light Head Sub-Assembly for BDS Left-Right Swing Delivery Systems ONLY (White Finish) NOTE: Curved Post Included With BDS Swing Mounted Delivery System	\$4,250

Options		Retail
1P05U9A0	Mirror Kit (White)	\$295

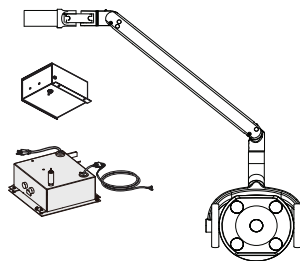


**Bel-Nova LED Sub-Assembly
For BDS
Left-Right Swing
Delivery Systems ONLY**

(Curved Post is NOT Included with Light Sub-Assembly.)

Clesta LED Light Sub-Assembly / For BDS Over-The-Patient Delivery System Curved Post Light ONLY

Model	Description	Retail
AL320XN	Clesta LED Light Head Sub-Assembly for BDS Over-The-Patient Delivery Systems ONLY (White Finish) NOTE: Curved Post Included With BDS OTP Delivery System	\$3,400

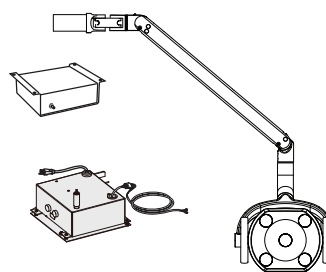


**Clesta LED Sub-Assembly
For BDS
Over-The-Patient
Delivery Systems ONLY**

(Curved Post is NOT Included with Light Sub-Assembly.)

Clesta LED Light Sub-Assembly / For BDS Left-Right Swing Delivery System Curved Post Light ONLY

Model	Description	Retail
AL320X	Clesta LED Light Head Sub-Assembly for BDS Left-Right Swing Delivery Systems ONLY (White Finish) NOTE: Curved Post Included With BDS Swing Mounted Delivery System	\$3,400



**Clesta LED Sub-Assembly
For BDS
Left-Right Swing
Delivery Systems ONLY**

(Curved Post is NOT Included with Light Sub-Assembly.)

Operatory Lights Cabinet Mounted Lights

Bel-Halo LED Cabinet Mounted Light

Model	Description	Retail
AL997	Bel-Halo LED Cabinet Mounted Light (GREY)	\$6,200

Options		Retail
1G02WLA0	Mirror Kit For AL997 Cabinet Mounted Light (GREY)	\$295
91200HH	Factory Installation For Mounting AL997 To D4RH Cabinets (ETL Listing, Must Purchase AL997 Light With This Option)	\$1,090
91201HH	Field Installation For Mounting AL997 To D4RH Cabinets (NO ETL Listing, Must Purchase AL997 Light With This Option)	\$1,090



Bel-Halo LED Cabinet Mounted Light
(formerly Model AL907)

Bel-Nova LED Cabinet Mounted Light

Model	Description	Retail
AL107	Bel-Nova LED Cabinet Mounted Light (GREY)	\$5,310

Options		Retail
1P05XXA0	Mirror Kit For AL107 Cabinet Mounted Light (GREY)	\$295
91200NH	Factory Installation For Mounting AL107 To D4RH Cabinets (ETL Listing, Must Purchase AL107 Light With This Option)	\$1,090
91201NH	Field Installation For Mounting AL107 To D4RH Cabinets (NO ETL Listing, Must Purchase AL107 Light With This Option)	\$1,090



Bel-Nova LED Cabinet Mounted Light

Operatory Lights Wall Mounted Lights

Bel-Halo LED Wall Mounted Light

Model	Description	Retail
AL998	Bel-Halo LED Wall Mounted Light (GREY)	\$7,040

Options	Retail
1G02WLA0 Mirror Kit For AL998 Light (GREY)	\$295



Bel-Halo LED Wall Mounted Light
(formerly Model AL908)

Bel-Nova LED Wall Mounted Light

Model	Description	Retail
AL108	Bel-Nova LED Wall Mounted Light (GREY)	\$6,160

Options	Retail
1P05XXA0 Mirror Kit For AL108 Light (GREY)	\$295



Bel-Nova LED Wall Mounted Light

Operatory Lights

Specifications for Bel-Halo, Bel-Nova and Clesta LED Lights

Bel-Halo LED Light Standard Features:

- Cool, natural white light for correct color rendering at any intensity setting. Touchless ON/OFF and composite safe mode activation.
- Rectangular Light Pattern: 3-15/16" x 6-11/16" at a focal distance of 25-19/32"
- Stepless Light Intensity Range:

	High Intensity	Minimum Intensity	Amber Light Composite Safe Mode
Light Output:	39,000 lx (3,623 fc)	5,500 lx (511 fc)	7,500 lx (697 fc)
Color Temperature Range:	5000°K		2800°K
Output Voltage:	20V		



Bel-Halo Mirror Option



- Correct color rendering at all intensity settings
- Smooth, 3-Axis positioning easily illuminates patient oral cavity
- Activate light & composite safe mode with touchless sensor
- Composite safe mode: 2 Amber Light LEDs
- Input Voltage: 120V / 60Hz AC
- Bulb Type: LED, 2W (x10)
- Adapter for Belmont post mounted lights included with AL991 & 991R
- **5 Year Warranty** for light arm systems / **5 Year Warranty** for bulb array

AL991, 992, 995, 997, 998 and AL990E Lights (Grey Finish Only)	AL991R Lights (White Finish Only)
---	--

Bel-Nova LED Light Standard Features:

- Cool, natural white light for correct color rendering at any intensity setting. Touchless ON/OFF and composite safe mode activation.
- Rectangular Light Pattern: 3-1/4" x 6-1/8" at a focal distance of 25-1/8"
- Stepless Light Intensity Range:

	High Intensity	Minimum Intensity	Amber Light Composite Safe Mode
Light Output:	34,000 lx (3,158 fc)	5,000 lx (464 fc)	11,000 lx (1,021 fc)
Color Temperature Range:	5000°K		2700°K
Output Voltage:	19V		



Bel-Nova Mirror Option



- Correct color rendering at all intensity settings
- Smooth, 3-Axis positioning easily illuminates patient oral cavity
- Activate light & composite safe mode with touchless sensor
- Composite safe mode: 2 Amber Light LEDs
- Input Voltage: 120V / 60Hz AC
- Bulb Type: LED, 2W (x6)
- Adapter for Belmont post mounted lights included with AL101 & AL101R
- **5 Year Warranty** for light arm systems / **5 Year Warranty** for bulb array

AL101, 102, 105, 107, 108 and 120E Lights (Grey Finish Only)	AL101R, AL120X and AL120XN Lights (White Finish Only)
---	--

Clesta LED Light Standard Features:

- Cool, natural white light for correct color rendering at any intensity setting. Touchless ON/OFF and composite safe mode activation.
- Rectangular Light Pattern: 3-1/8" x 6-1/8" at a focal distance of 25-5/8"
- Stepless Light Intensity Range:

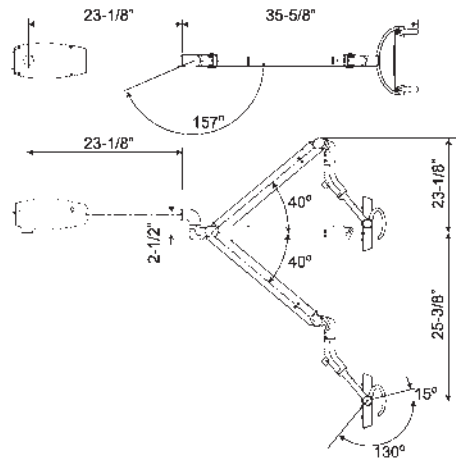
	High Intensity	Minimum Intensity	Composite Safe Mode
Light Output:	28,000 lx (2,601 fc)	3,100 lx (288 fc)	4,300 lx (399 fc)
Color Temperature Range:	5000°K		
Output Voltage:	20V		



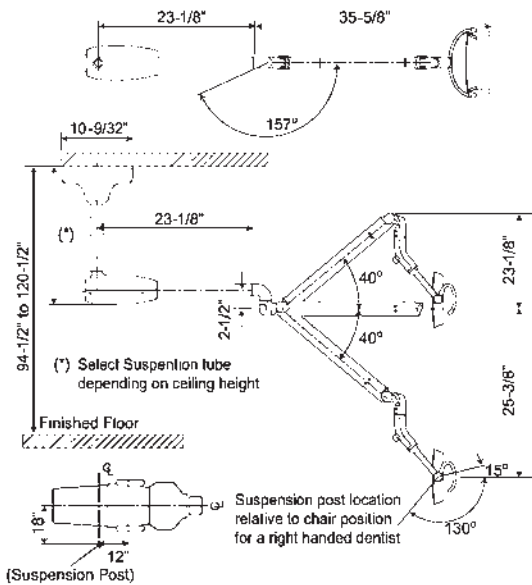
- Correct color rendering at all intensity settings
- Smooth, 3-Axis positioning easily illuminates patient oral cavity
- Activate light & composite safe mode with touchless sensor
- Input Voltage: 120V / 60Hz AC
- Bulb Type: LED, 2W (x5)
- Adapter for Belmont post mounted lights included with AL301C & AL301R
- **5 Year Warranty** for light arm systems / **5 Year Warranty** for bulb array

AL301C, 302C, 305C and AL320XC Lights (Grey Finish Only)	AL301R, AL320XN and AL320X Lights (White Finish Only)
---	--

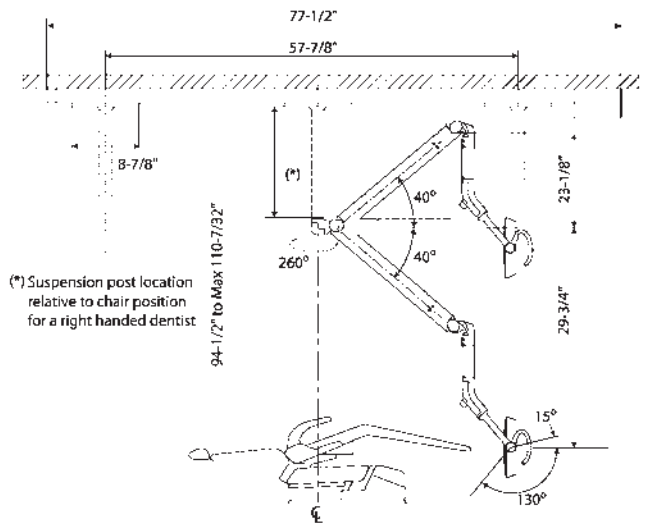
Bel-Halo Unit Mount Light: Models AL991 & AL991R



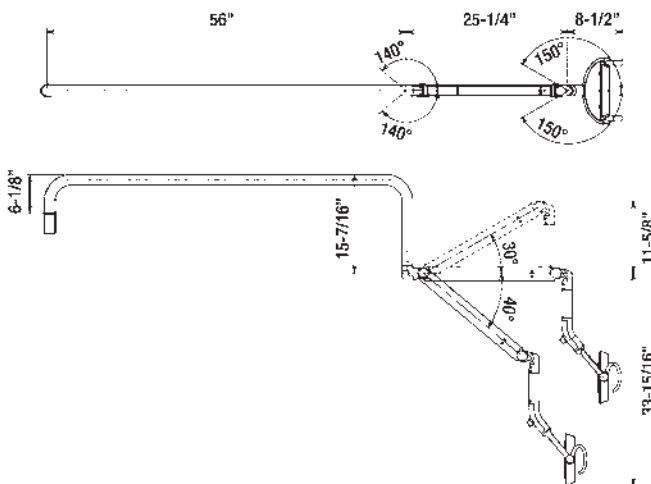
Bel-Halo Ceiling Mount Light: Model AL992



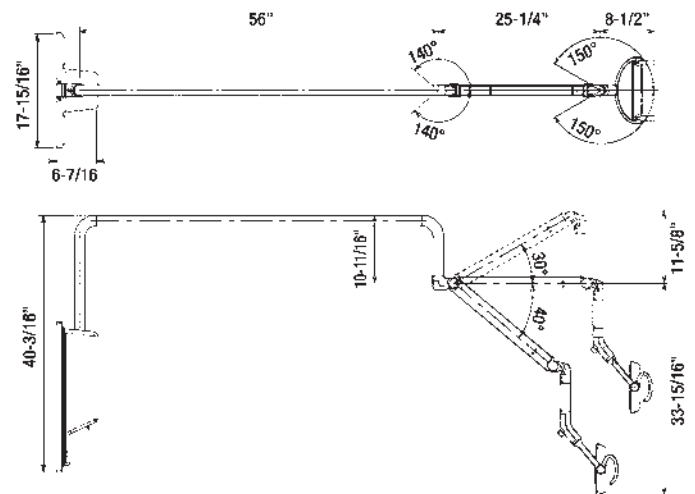
Bel-Halo Track Mount Light: Model AL995



Bel-Halo Cabinet Mount Light: Model AL997



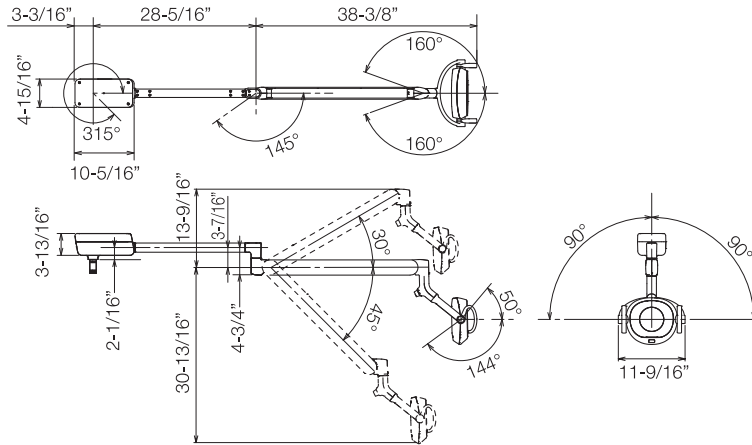
Bel-Halo Wall Mount Light: Model AL998



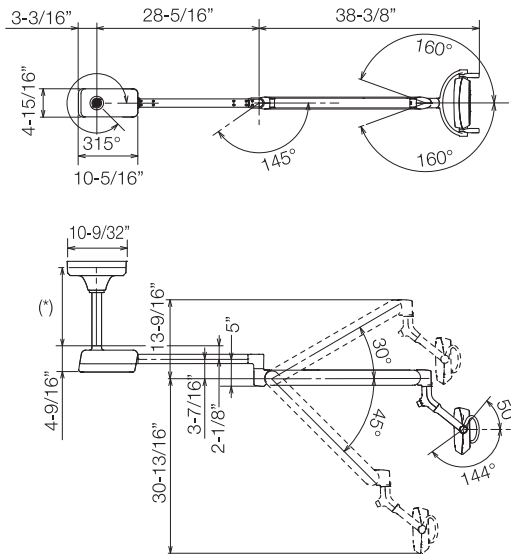
Operatory Lights Bel-Nova LED Light

Bel-Nova Dimensions

Bel-Nova LED Unit Mount Light: Model AL101R & AL101

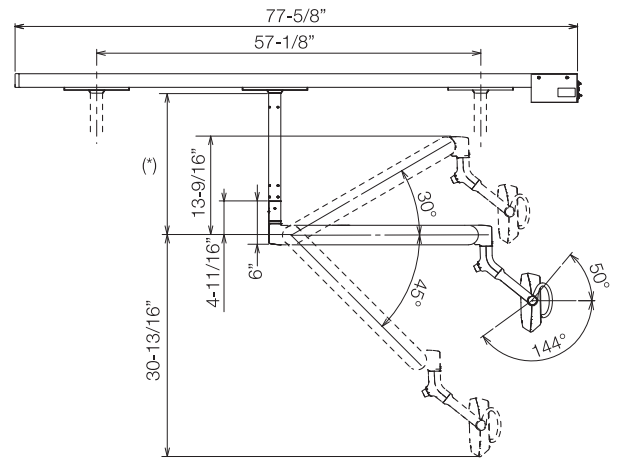


Bel-Nova Ceiling Mount Light: Model AL102



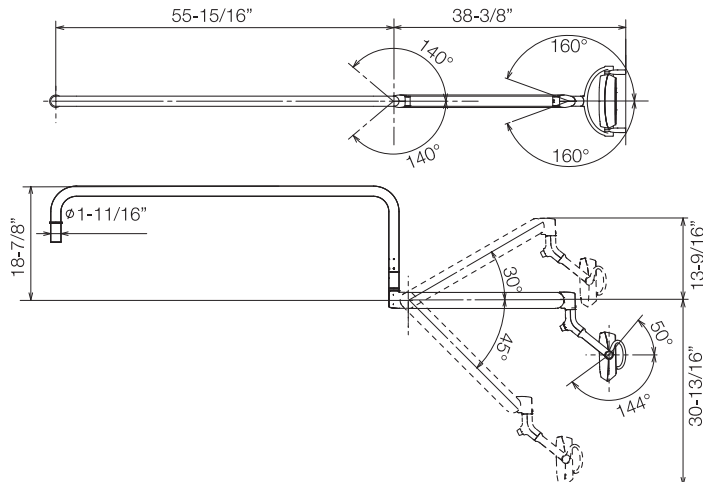
*Select suspension tube length based upon ceiling height.

Bel-Nova Track Mount Light: Model AL105

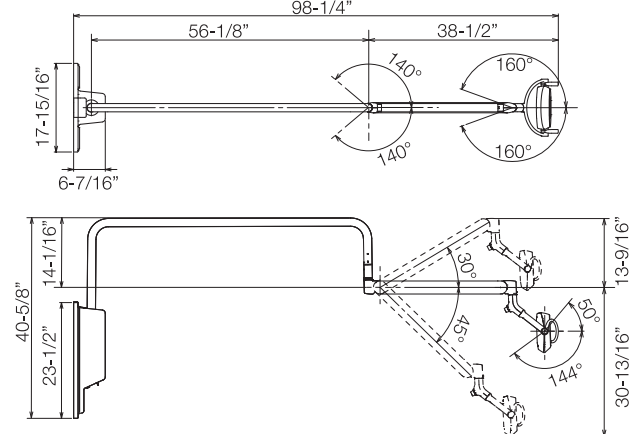


*Select suspension tube length based upon ceiling height.

Bel-Nova Cabinet Mount Light: Model AL107



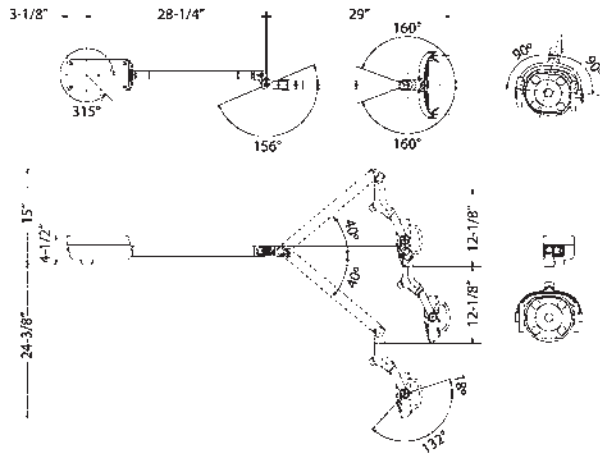
Bel-Nova Wall Mount Light: Model AL108



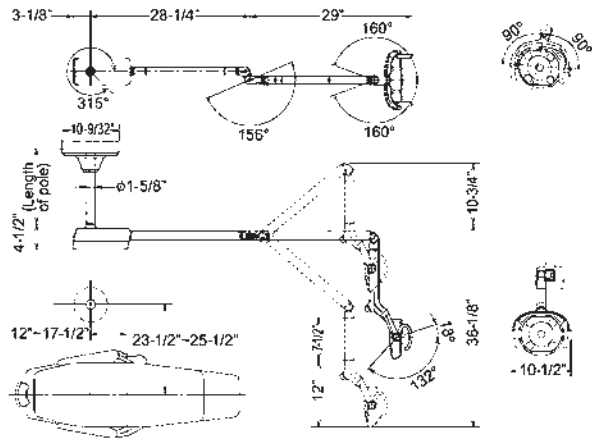
Operatory Lights Clesta LED Light

Clesta LED Dimensions

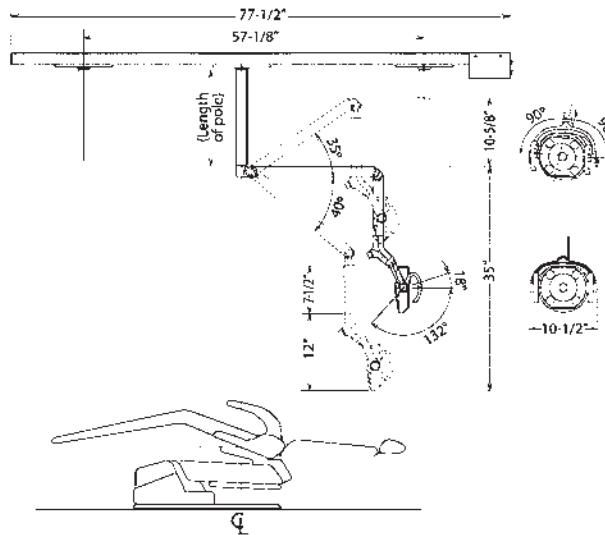
Clesta LED Unit Mount Light: Model AL301R & AL301C



Clesta LED Ceiling Mount Light: Model AL302C



Clesta LED Track Mount Light: Model AL305C





Bel-Nova LED



Bel-Halo LED



Clesta LED



Intraoral

PHOT-xlls LCD



P. 98-99

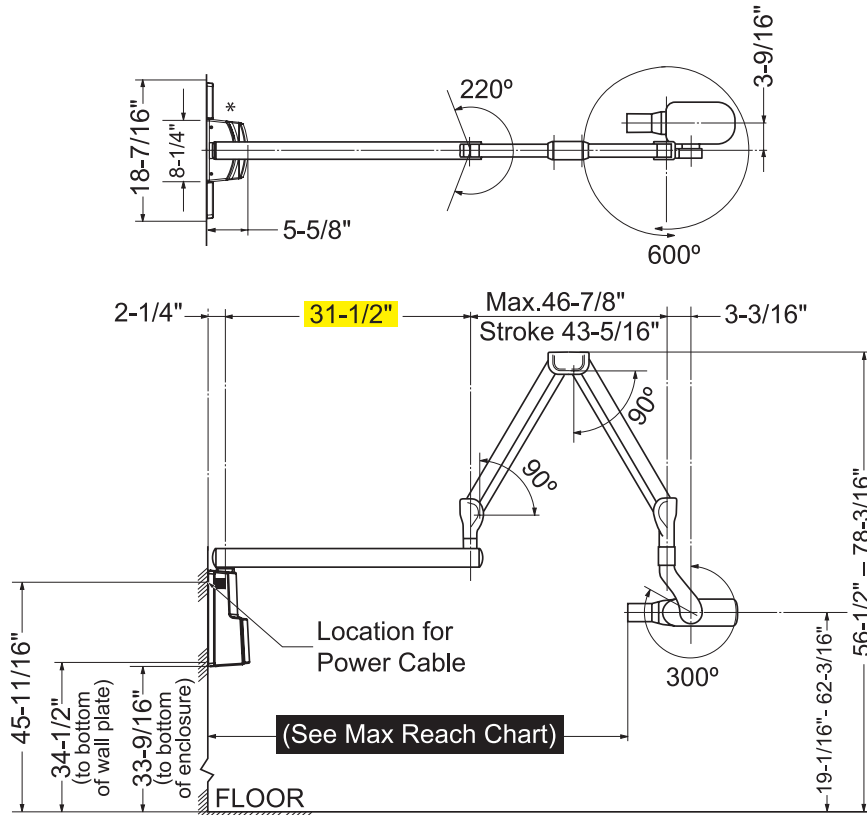
Bel-Ray II



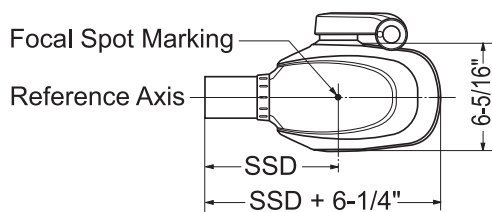
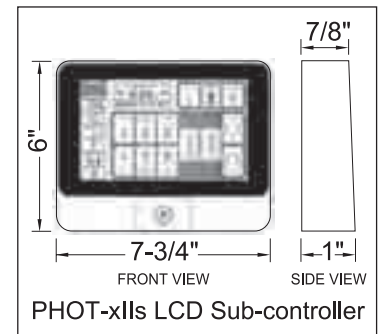
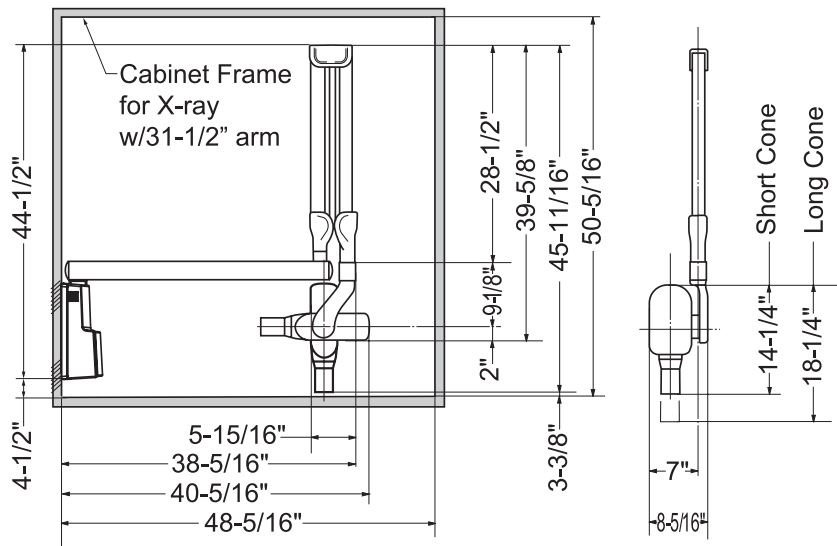
P. 100-101

Imaging Systems PHOT-xlls LCD Intraoral X-Ray System

PHOT-xlls LCD Intraoral X-Ray System Dimensions



Maximum Reach		
84-1/8" (2122 mm)	with 40" (1000 mm)	arm
75-5/8" (1922 mm)	with 31-1/2" (800 mm)	arm
64-1/8" (1622 mm)	with 20" (500 mm)	arm
56-1/8" (1422 mm)	with 12" (300 mm)	arm



SSD (Source to Skin Distance):

- A. Regular cone – 8 inches
- B. Long cone — 12 inches

Imaging Systems PHOT-xlIs LCD Intraoral X-Ray System

Model 505WK31LCD **\$7,800**



Model 505WK20LCD **\$7,800**



Model 505WK12LCD **\$7,800**



Model 505WK40LCD **\$7,800**
(WALL MOUNT ONLY)



Intraoral Imaging Systems

- Model 505WK31LCD - PHOT-xlIs with LCD Sub Controller, 31" Arm
- Model 505WK20LCD - PHOT-xlIs with LCD Sub Controller, 20" Arm
- Model 505WK12LCD - PHOT-xlIs with LCD Sub Controller, 12" Arm
- Model 505WK40LCD - PHOT-xlIs w/ LCD Sub Cont., 40" Arm (wall mount only)

• Standard Features

LCD touchscreen sub-controller with English, Spanish, French or Italian language control selection at the touch of a switch	•	•	•	•
USB port on sub-controller for importing screen saver pictures and for exporting X-ray service data	•	•	•	•
Easy selection of exposure time, tooth type, cone type, film/digital modes, film speed, kV, mA and patient size	•	•	•	•
Automatic and manual modes for optimal selection of parameters for each patient and tooth type	•	•	•	•
Radiation dose (air kerma) display	•	•	•	•
High frequency X-ray generator minimizes patient exposure to radiation	•	•	•	•
0.4mm focal spot produces excellent image clarity	•	•	•	•
Lightweight, easy to position X-ray head	•	•	•	•
60-70 kV system; 3-6 mA selectable tube current	•	•	•	•
Exposure time 0.01~2.0 seconds	•	•	•	•
37 programmable time settings	•	•	•	•
Wall mount plate (standard)	•	•	•	•
Standard 8" (203mm) cone	•	•	•	•
Holder for Digital Sensors	•	•	•	•
5-year warranty	•	•	•	•

▪ Options

	Retail				
1P05DBA0 Rectangular Collimator for 505 X-rays	\$180	•	•	•	•
1P04W7A0 Long Cone for 505 X-Rays	\$370	•	•	•	•
097PTP Pass-Thru Wall Mounting Plate	\$280	•	•	•	•
1P05A3A0 Coiled Wire Remote Switch	\$165	•	•	•	•



Coiled Wire Remote Switch



Rectangular Collimator



LCD Sub-controller

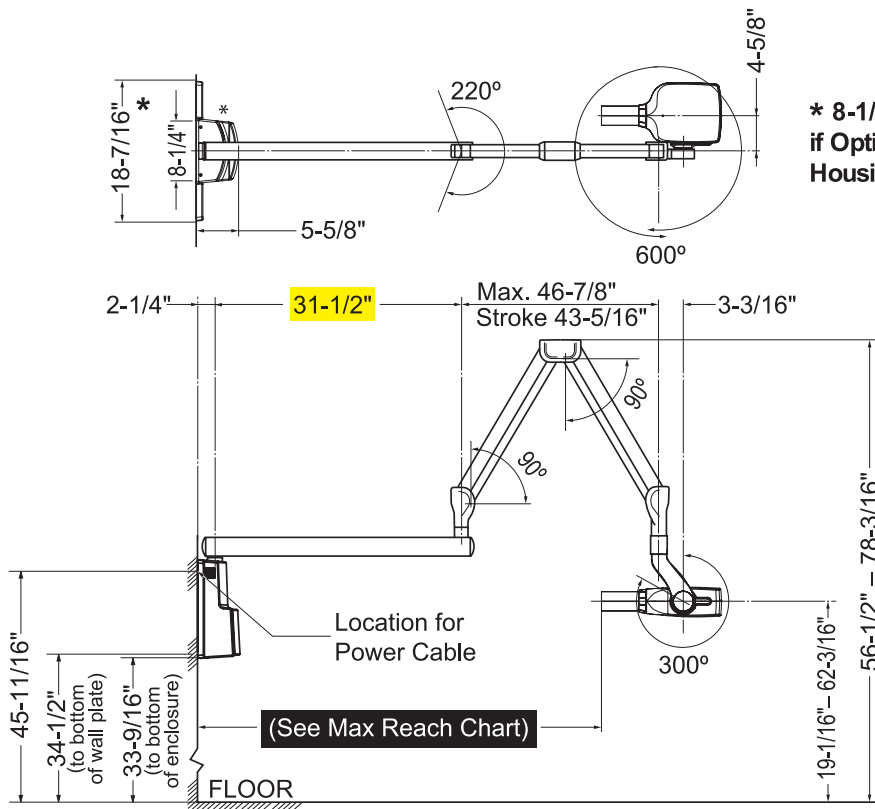


Mount Sub-controller on Wall or on X-ray

All Model 505 PHOT-xlIs photos (above) shown with LCD Sub-controller

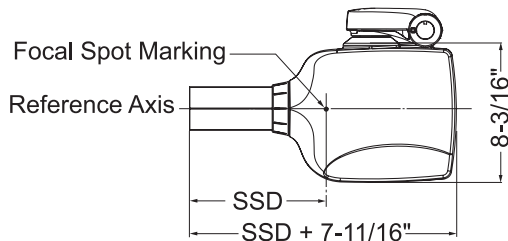
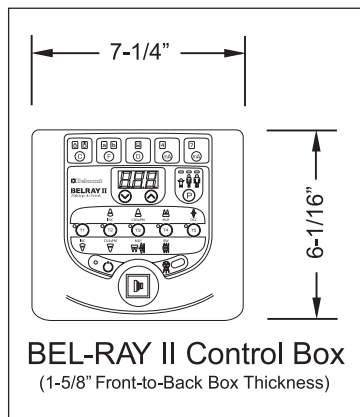
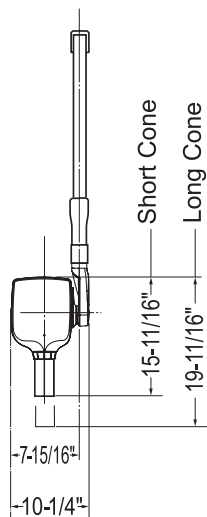
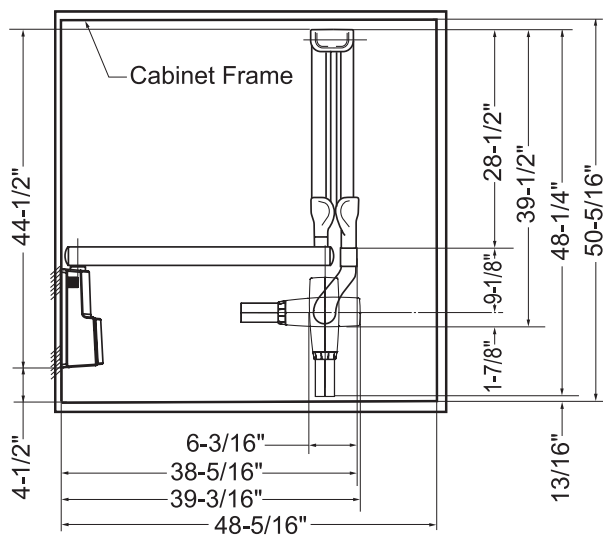
Imaging Systems Bel-Ray II AC Intraoral X-Ray System

Bel-Ray II Intraoral X-Ray System Dimensions



* $8-1/4"$ Is Pass-Thru Plate Width if Optional 097PTP is Ordered and Housing Side Panels are Removed

Maximum Reach		
$81-5/8"$ (2057 mm) with	$40"$ (1000 mm)	arm
$73-1/8"$ (1857 mm) with	$31-1/2"$ (800 mm)	arm
$61-5/8"$ (1557 mm) with	$20"$ (500 mm)	arm
$53-5/8"$ (1357 mm) with	$12"$ (300 mm)	arm



SSD (Source to Skin Distance):
A. Regular cone – 8 inches
B. Long cone — 12 inches

Imaging Systems Bel-Ray II AC Intraoral X-Ray System

Model 097WK31 **\$7,000**



Model 097WK20 **\$7,000**



Model 097WK12 **\$7,000**



Model 097WK40 **\$7,000**



Intraoral Imaging Systems

- Model 097WK31 - Bel-Ray II with 31.5" arm
- Model 097WK20 - Bel-Ray II with 20" arm
- Model 097WK12 - Bel-Ray II with 12" arm
- Model 097WK40 - Bel-Ray II with 40" arm (wall mount only)

• Standard Features

70kVp, 4-7mA selectable	•	•	•	•
0.7mm x 0.7mm focal spot produces excellent image clarity	•	•	•	•
Compatible with most digital radiographic systems	•	•	•	•
Exposure time 0.02-3.2 seconds	•	•	•	•
Easy-to-position X-ray head	•	•	•	•
Automatic and manual modes for optimal selection of parameters for each patient and tooth type	•	•	•	•
16 programmable time settings	•	•	•	•
Small control box with user friendly microprocessor controls allow for easy selection of exposure time, tooth type, cone type, film or digital mode, film speed, mA and patient size	•	•	•	•
Control Box can be installed on X-ray power console or onto wall	•	•	•	•
Wall mount (Standard)	•	•	•	•
Standard 31.5" horizontal arm	•	•	•	•
5-year warranty	•	•	•	•

▪ Options

	Retail				
EHLL13A0 Long Cone (12")	\$525	•	•	•	•
097PTP Pass-Thru Wall Mounting Plate	\$280	•	•	•	•
1P05A3A0 Coiled Wire Remote Switch	\$165	•	•	•	•



Optional Coiled Wire Remote Switch



Sub-control Module shown with optional Coiled Wire Remote Switch



Control Module may be installed on X-Ray Power Console or onto wall



Small x-ray head allows for perfect positioning. Optional long cone ideal for paralleling film technique.

All Model 097 Bel-Ray II AC Intraoral X-Ray System photos (above) shown with Sub-control Module

IMAGING SYSTEMS



Bel-Ray II



PHOT-xlIs LCD

Cabinetry



X-Calibur

D Series Cabinetry



PP. 107-126

K-Series

K-Series Cabinetry



PP. 127-130

Flex Series

Flex Series Cabinetry



PP. 131-138

ECO/Ortho-Sys

ECO/Ortho-Sys Cabinetry



PP. 139-151

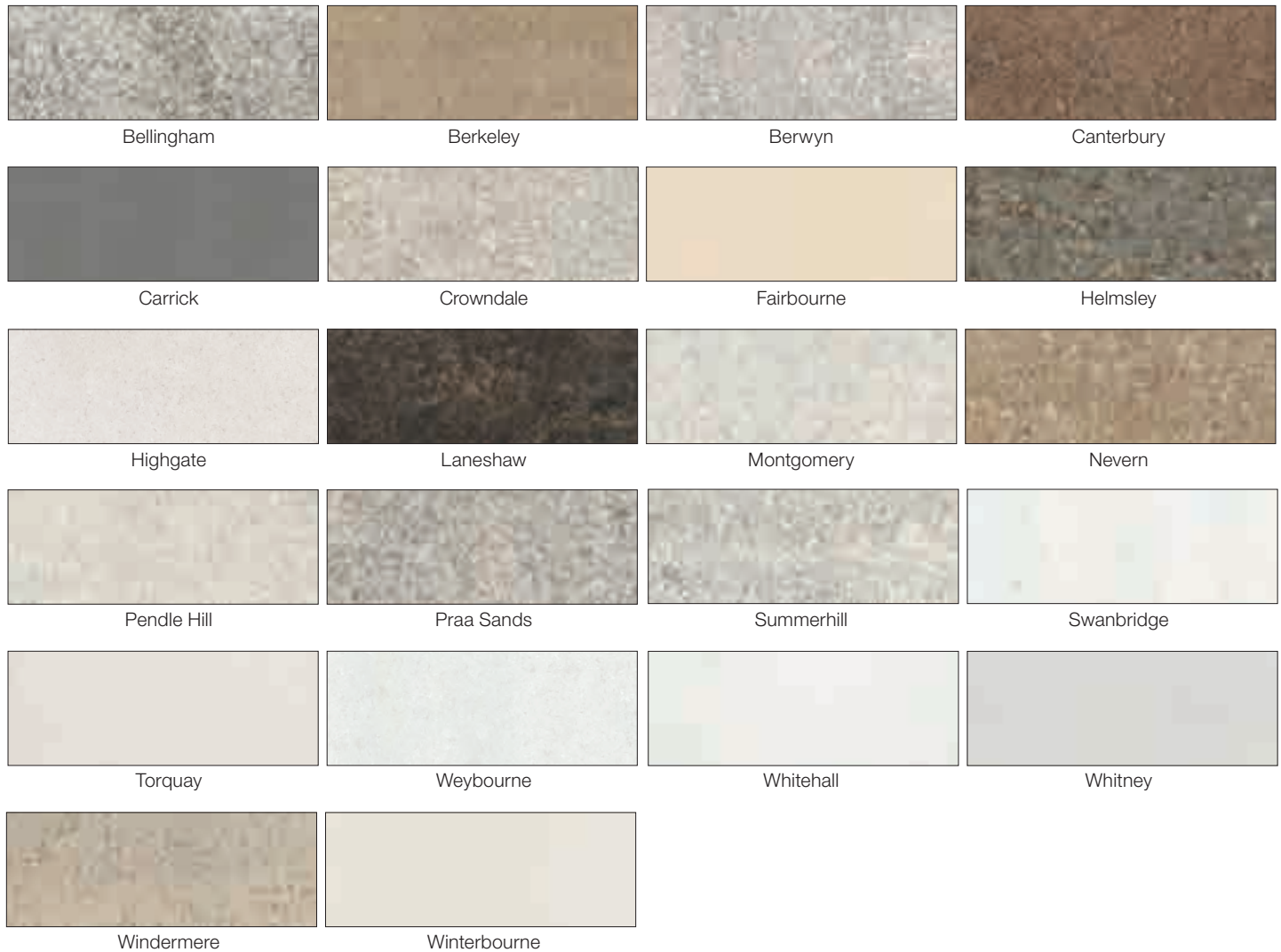
CABINETRY

Dental Cabinetry Materials and Colors

Cambria™ Quartz Surface

Tier 1 Premium Work Surface Colors

Premium Upgrade for D-Series and Sterilization Centers, Not Available for K-Series, Flex Series, ECO-Sys and Ortho-Sys Cabinets



Tier 2 Premium Work Surface Colors



Cambria™ is a natural stone surface that is not only twice as strong as granite, but also elegant and practical. Approved by the National Sanitation Federation (NSF), there is no safer surface for use in the dental industry. Cambria™ surfaces are durable, resist abrasion, are non-porous, so they do not require sealing and come with a full lifetime warranty.

CABINETRY MATERIALS & COLORS



**FAMILY OWNED
AMERICAN MADE**

Dental Cabinetry Materials and Colors

LX Hausys HI-MACS® Solid Surface

Upgrade for Sterilization Centers, D-Series, ECO-Sys, Ortho-Sys. (Standard with K-Series and Flex Series)



LX Hausys HI-MACS® Solid Surface is a half-inch thick, 100% acrylic based product that is solid, nonporous, and does not require sealing. Solid Surface is naturally resistant to heat, mold, mildew, and most stains. Solid Surface has been NSF® food preparation approved, which makes it ideal for a wide range of environments from healthcare facilities and hospitality locations, to educational institutions, and beyond.

For Non-Standard Solid Surface Colors, please contact the factory for applicable up-charge and availability.

Printed colors may vary from the actual final product. For maximum fidelity, please see actual samples, to ensure proper color match and image size.

Horizontal Surface Laminate Colors

Standard Work Surface for Sterilization Centers, D-Series, ECO-Sys, and Ortho-Sys



Wilsonart® High Pressure Laminate Colors

Wilsonart® High Pressure Laminates (HPL) are available in a variety of durable and attractive patterns.

Laminates do not require sealing and are easily maintained.

Wilsonart® HPL laminates are manufactured using AEON™ technology, which deposits aluminum oxide particles in layers and with controlled resin flow to produce surfaces that exhibit exceptional wear, scuff and scratch resistance.

For Non-Standard Laminate Work Surface Colors, please contact the factory for applicable up-charge and availability.

Printed colors may vary from the actual final product. For maximum fidelity, please see actual samples, to ensure proper color match and image size.

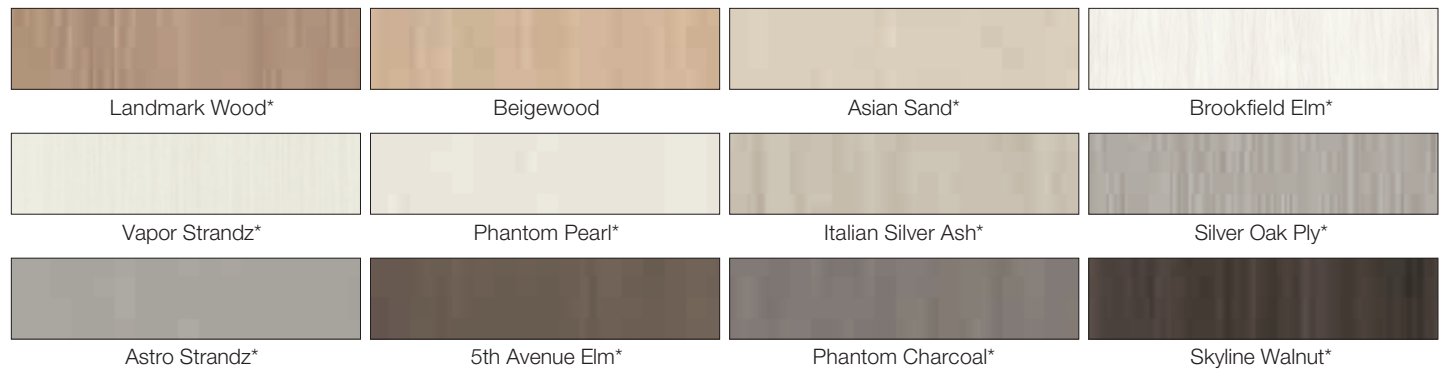
Dental Cabinetry Materials and Colors

Vertical Surface Laminate Colors

Sterilization Centers, D-Series, K-Series, Flex Series, ECO-Sys, and Ortho-Sys

Printed colors may vary from the actual final product. For maximum fidelity, please see actual samples, to ensure proper color match and image size.

Contemporary Laminate Colors (*Textured Laminates)

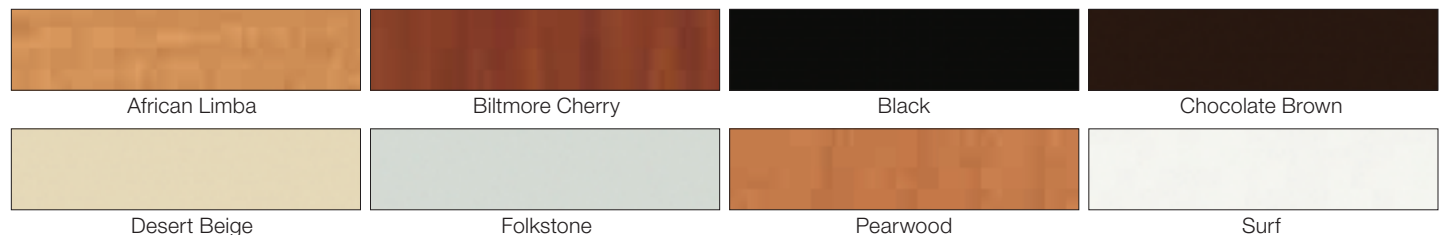


Classic Laminate Colors



Standard 3mm PVC Edge Colors

Sterilization Centers, D-Series, K-Series, Flex Series, ECO-Sys, and Ortho-Sys



Other 3mm Colors: Angel White, Mahogany, Maple, Harvest Maple, Ingot Gray, Spiced Walnut, Taupe, and Wild Cherry. All **Contemporary Laminates** have matched PVC edge color with laminate name.

Suggested 3mm Color Combinations

Laminate Color	Suggested 3mm Color	Laminate Color	Suggested 3mm Color
Angel White	Angel White	Leave Likatre	Taupe
5th Avenue Elm	5th Avenue Elm, Taupe, Ingot Grey	Negotiating in Geneva	Folkstone
Figured Mahogany	Mahogany	Spiced Walnut	Spiced Walnut
Fusion Maple	Maple	Taupe	Taupe
Harvest Maple	Harvest Maple	Wild Cherry	Wild Cherry
Ingot Grey	Ingot Grey	Witchcraft	Black

Stainless Steel Pulls/Handle Options

Option	Description	Cabinet Type
 Option: 91993	No additional charge when ordered with cabinet	*D-Series
 Option: 90993	Changes Handles from K-Series, ECO-Sys and/or Sterilization Centers to D-Series	K-Series, ECO-Sys and Sterilization Centers

*Handles on Lower Cabinets and Knobs on Upper Cabinets

X-Calibur D-Series Dental Cabinetry



Cabinetry Delivery System Components

Model	Description	Retail
EVG3561	EVOGUE Left-Right Doctor's & Assistant's Delivery System	\$6,430
EVG3563	EVOGUE Left-Right Assistant's Instruments	\$4,290
EVG3555	EVOGUE Doctor's Side Delivery System	\$9,210
Accessory Options		
90055	Water Bottle System (Work surface or wall-mount)	\$530
90174	Air and Water Accessory panel	\$470
90060	City/Bottle Selector Switch Kit	\$180

Dental Cabinetry X-Calibur D-Series

Model D1RS

\$7,300



D1RS X-Calibur Doctor's Console (Right Sink)
Cabinetry Shown with Optional Under Mount Solid Bowl and D2 Wall Mounted Storage Unit with Optional Cambria™ Quartz Countertop

Model D1LS

\$7,300



D1LS X-Calibur Doctor's Console (Left Sink)
Cabinetry Shown with Optional Under Mount Solid Bowl and Optional Cambria™ Quartz Top

Model	Description	Retail
D1RS	X-Calibur Doctor's Console (Right Sink)	\$7,300
D1LS	X-Calibur Doctor's Console (Left Sink)	

• Standard Features

3mm PVC edging on Doors	•
Soft Close Doors	•
Snap-On European Concealed Hinges	•
Stainless Steel Handles/Pulls	•
Stainless Steel Drop-In Sink & Hardware	•
Manual Faucet with Knee-Activated TapMaster™	•
Soap Dispenser	•
Grommet with Waste Basket	•
ITS/ETL Pre-Wired Quad Electrical Outlet	•
Horizontal Surface Laminate	•
Stainless Steel Covered Marine Plywood Base with Leveling Feet (Unfinished Back)	•
Space For EVG3555 Cabinet Mounted Side Delivery System	•
End Storage Compartment with (1) Adjustable Shelf	•

▪ Options

91960	Remove Radius End (D1 Minus 1 End, New Width 75")	(\$100/ Side)	▪
91970	Finished Toe Base Back with Stainless Steel	\$90	▪
91805	Glove/Tissue Dispenser on Door	\$150	▪
91160	Drawer Module (3-6" Drawers and 1-8" Drawer) with Doored Storage (3) (1-Adjustable Shelf) Specify Door Storage Location	\$2,820	▪
91170	2" Drawer Under Countertop	\$470	▪
91612	Upgrade from Manual Faucet with Door Activated Tapmaster™ to Sensor Faucet	\$1,540	▪
91601	Tapmaster™ Kick Pedal with Manual Faucet	\$680	▪
91470	Stainless Steel Faucet/Soap Dispenser	\$550	▪
91466	Deduction of Sink Package	(\$400)	▪
91808	Surface Mounted Sharps Container	\$600	▪
91410	Upgrade from Horizontal Surface Laminate to LX Hausys HI-Macs® Solid Surface (Select Sink Below)	\$1,660	▪
91440	Upgrade from Horizontal Surface Laminate to Cambria™ Quartz Countertop (Select Sink Below)	\$3,010	▪

▪ Sink Option

91620	Undermount Solid Bowl (Solid Surface or Cambria™)	\$940	▪
91621	Undermount Stainless Steel Bowl (Solid Surface or Cambria™)	\$530	▪

▪ Delivery Systems Option

EVG3555	EVOGUE Doctor's Side Delivery System	\$9,210	▪
---------	--------------------------------------	---------	---



Radial End Storage Compartment



Standard Manual Faucet with Knee-Activated Tapmaster™

Dental Cabinetry X-Calibur D-Series

Model D2

\$3,360



D2 Wall Mount Storage Unit

Model D2U

\$2,040



D2U Upper Wall Mount Storage Unit

Model D2L

\$1,450



D2L Lower Wall Mount Storage Unit
Shown with Cambria™ Quartz Countertop

Model	Description	Retail			
D2	X-Calibur Wall Mount Storage Unit	\$3,360			
D2U	X-Calibur Upper Wall Mount Storage Unit	\$2,040			
D2L	X-Calibur Lower Wall Mount Storage Unit	\$1,450			
• Standard Features					
	3mm PVC Edging on Doors			•	•
	Soft Close Doors			•	•
	Snap-On European Concealed Hinges			•	•
	Stainless Steel Handles/Pulls			•	•
	Laminated Storage Door with Windows				•
	Upper Storage with (1) Tempered Glass Shelf				•
	Dual Glove/Tissue Dispenser on Door			•	•
	Cup Dispenser			•	•
	Towel Dispenser			•	•
	Horizontal Surface Laminate (D-2L Only)			•	•

Options

91960	Remove Radius End(s) (D2/D2U only Minus 2 Ends, New Width: 30")	(\$100/ Side)			•
91411	D2L Upgrade from Horizontal Surface Laminate to LX Hausys HI-Macs® Solid Surface	\$440			•
91441	D2L Upgrade from Horizontal Surface Laminate to Cambria™ Quartz Work Surface	\$750			•
91271	Additional Tempered Glass Shelf	\$70			•

Dental Cabinetry X-Calibur D-Series

Model D3RS

\$7,720



D3RS Assistant's Console (Right Sink)
Shown with Optional Under Mount Solid Bowl and Cambria™ Quartz Countertop Option

Model D3LS

\$7,720



D3LS Assistant's Console (Left Sink) with D2 Wall Mounted Storage Unit
Shown with Optional Under Mount Solid Bowl and Cambria™ Quartz Countertop Option

Model	Description	Retail	
D3RS	X-Calibur Assistant's Console (Right Sink)	\$7,720	
D3LS	X-Calibur Assistant's Console (Left Sink)		
• Standard Features			
3mm PVC Edging on Doors/Drawer Fronts			•
Soft Close Doors			•
Snap-On European Concealed Hinges			•
Stainless Steel Handles/Pulls			•
100-pound Unigrass® Drawer Slides			•
Pullout Work Surface, (1) 5" Drawer, (1) 9" Drawer, (2) 5" Drawers			•
Stainless Steel Drop-In Sink & Hardware			•
Manual Faucet with Knee-Activated TapMaster™			•
Soap Dispenser			•
Grommet with Waste Basket			•
ITS/ETL Pre-Wired Quad Electrical Outlet			•
Horizontal Surface Laminate			•
Stainless Steel Covered Marine Plywood Base with Leveling Feet (Unfinished Back)			•

▪ Options			
91960	Remove Radius End(s) (D3 Minus 2 Ends, New Width: 49")	(\$100/Side)	▪
91805	Additional Glove/Tissue Dispenser on Door	\$150	▪
91169	Upgrade Standard Drawers to Writing Surface, (2) 5" Drawers, (1) 8" Equipment Pull-out, and (1) 6" Drawer	\$370	▪
91470	Stainless Steel Manual Faucet and Soap Dispenser	\$550	▪
91612	Upgrade from Manual Faucet with Door Activated Tapmaster™ to Sensor Faucet	\$1,540	▪
91601	Tapmaster™ Kick Pedal with Manual Faucet	\$680	▪
91466	Deduction of Sink Package	(\$400)	▪
91808	Surface Mounted Sharps Container	\$600	▪
91806	Undermount Large Sharps Container	\$600	▪
91412	Upgrade from Horizontal Surface Laminate to LX Hausys HI-Macs® Solid Surface (Select Sink Below)	\$1,370	▪
91442	Upgrade from Horizontal Surface Laminate to Cambria™ Quartz Countertop (Select Sink Below)	\$2,280	▪
92994	Upgrade to Soft Close Drawer (Per Drawer)	\$190	▪
▪ Sink Options			
91620	Undermount Solid Bowl (Solid Surface or Cambria™)	\$940	▪
91621	Undermount Stainless Steel Bowl (Solid Surface or Cambria™)	\$530	▪



Standard with Knee-Activated Tapmaster™

Dental Cabinetry X-Calibur D-Series

Model D4RH

\$20,180



D4RH X-Calibur Split Entry Console

D4RH Doctor's Side Shown with Optional 91092H Bi-Fold Doors

Cabinetry Shown with Optional Cambria™ Quartz Countertops, Undermount Solid Bowl and Bi-Fold Door Option



D4RH X-Calibur Split Entry Console (w/Bi-Fold Option)

D4RH Assistant's Side Shown with Optional 91092H Bi-Fold Doors and an X-Ray unit

(Non-Belmont Accessories are Shown to Illustrate the Cabinet's Vertical Storage Capability)

Cabinetry Shown with Optiona Cambria™ Quartz Countertops, Undermount Solid Bowl and Bi-Fold Door Option

Model	Description	Retail
D4RH	X-Calibur Split Entry Console (86" High)	\$20,180
•Standard Features		
3mm PVC Edging on Doors/Drawer Fronts		•
Soft Close Doors		•
Snap-On European Concealed Hinges		•
Stainless Steel Handles/Pulls		•
100-pound Unigrass® Drawer Slides		•
Pullout Writing Surface For Both Assistant's & Doctor's Side		•
Assistant's Side (1) 5" Drawer, (1) 7 ½" Equipment Pullout & (1) 6" Drawer		•
Doctor's Side (1) 5" Drawer		•
Upper Pass Thru Doored Storage with Windows and (2) Tempered Glass Shelves		•
Pass Thru Dual Lift Up Doors with Duplex Outlet		•
Upper Dispenser Accessible from Both Sides with Dual Glove, Cup & Towel Dispensers		•
Single Glove/Tissue Dispenser Above Sink		•
Stainless Steel Drop-In Sink & Hardware		•
Manual Faucet with Dual Knee-activated TapMaster™		•
Soap Dispenser		•
Waste Basket Accessible from Both Sides		•
X-Ray Mount Support Column (Specify X-Ray Model)		•
ITS/ETL Pre-Wired Quad Electrical Outlets One Per Side		•
Privacy Panel (Full Size Or Specify X-Ray Model)		•
Horizontal Surface Laminate		•
Stainless Steel Covered Marine Plywood Base with Leveling Feet		•
Mounting Surface For EVG3555 Side Delivery Systems		•
Left or Right Hand Units Available (Specify Upon Order)		•
D4RH Options on next page		



Upper Storage with Tempered Glass Shelves



Flip-Up Doors

Dental Cabinetry X-Calibur D-Series



D4RH Front Storage for Gloves, Cup and Towel. Faucet, Bowl, Soap & Trash Chute



Standard Soft Close Hinges

Model	Description	Retail		
D4RH	X-Calibur Split Entry Console (86" High)	\$20,180		
▪ Lower				
▪ Upper				
▪ Options				
91093H	D4RH Bi-fold Doors with Square End Leg	\$3,200		▪
91092H	D4RH Bi-fold Doors with Shaped Finished End Leg	\$3,560		▪
91170	2" Drawer Under Countertop	\$470		▪
91190H	Lead Lining for D4RH	\$1,920		▪
91271	Additional Tempered Glass Shelf 1/4"x14-3/4"x26-3/4"	\$70		▪
91272	Additional Tempered Glass Shelf 1/4"x5-3/16"x15-1/8"	\$70		▪
91470	Stainless Steel Faucet/Soap Dispenser	\$550		▪
91603	Tapmaster™ Dual Kick Pedal Activation with Manual Faucet	\$1,060		▪
91612	Upgrade from Manual Faucet with Door Activated Tapmaster™ to Sensor Faucet	\$1,540		▪
91466	Deduction of Sink Package	(\$400)		▪
91413	D-4 Upgrade from Horizontal Surface Laminate to LX Hausys HI-Macs® Solid Surface (Select Sink Below)	\$2,160		▪
91414	D-4 with Bi-fold Upgrade from Horizontal Surface Laminate to LX Hausys HI-Macs® Solid Surface (Select Sink Below)	\$1,410		▪
91443	D-4 Upgrade from Horizontal Surface Laminate to Cambria™ Quartz Solid Countertop (Select Sink Below)	\$3,730		▪
91444	D-4 with Bi-fold Upgrade from Horizontal Surface Laminate to Cambria™ Quartz Countertop (Select Sink Below)	\$2,650		▪
91160	Drawer Module with Side Storage, Including Adjustable Shelf, (3) 6" and (1) 8" Drawers	\$2,820		▪
91163	Drawer Module with Door and Adjustable Shelf (Applicable with 91092)	\$2,840		▪
92994	Upgrade to Soft Close Drawer (Per Drawer)	\$190		▪
91176	End Section Module - (2) Door Storage w/o Bi-fold Option	\$1,830		▪
91177	End Section Module - (2) Door Storage with Bi-fold Option	\$1,980		▪
91178	End Section Module - (2) Door Pass-Thru w/o Bi-fold Option	\$2,370		▪
91179	End Section Module - (2) Door Pass-Thru with Bi-fold Option	\$2,660		▪
91183	End Section Module - (Applicable w/Belmont X-ray)	\$1,040		▪
91936	End Section Module - C.P.U. Pullout	\$380		▪
91938	End Section Module - Vent Grill on Door	\$110		▪
▪ Sink Options:				
91620	Undermount Solid Bowl (Solid Surface or Cambria™)	\$940		▪
91621	Undermount Stainless Steel Bowl (Solid Surface or Cambria™)	\$530		▪
▪ Light Mount Support Kit: (specify model)				
91200HH	Factory Installation for Mounting Bel-Halo AL907 to the D4RH (Must Purchase AL907 Bel-Halo)	\$1,090		▪
91201HH	Field Installation Kit for Mounting Bel-Halo AL997 to the D4RH (No ETL Listing, Must Purchase AL997 Bel-Halo)	\$1,090		▪
AL997	Bel-Halo LED Light, Cabinet Mounted	\$6,200		▪
91200NH	Factory Installation for Mounting the Bel-Nova AL107 to the D4RH (ETL Listing, Must purchase Bel-Nova AL107)	\$1,090		▪
91201NH	Field Installation for Mounting the Bel-Nova AL107 to the D4RH (No ETL Listing, Must purchase Bel-Nova AL107)	\$1,090		▪
AL107	Bel-Nova LED Light, Cabinet Mounted	\$5,310		▪
▪ Delivery System Option:				
EVG3555	EVOGUE Doctor's Side Delivery System	9,210		▪

Dental Cabinetry X-Calibur D-Series

Model D5CM

\$10,100



D5CM X-Calibur Rear Console
Shown with 2-way In/Out Sliding Worksurface and Upper Storage Compartments

Model D5CML

\$6,040



D5CML X-Calibur Lower Rear Console
Shown with 2-way In/Out Sliding Worksurface

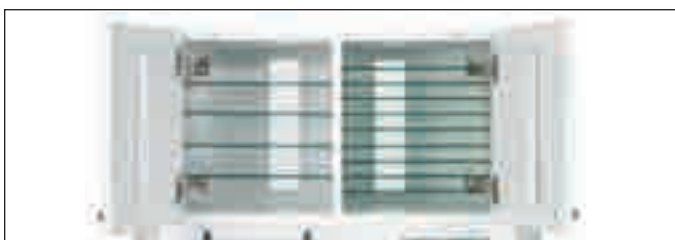
Model	Description	Retail		
D5CM	X-Calibur Rear Console	\$10,100		
D5CML	X-Calibur Lower Rear Console	\$6,040		
• Standard Features				
	3mm PVC Edging on Doors			•
	Soft Close Doors		•	•
	Snap-On European Concealed Hinges			•
	Stainless Steel Handles/Pulls			•
	Laminated Upper Storage Doors with Windows			•
	Upper Storage with 10 Tempered Glass Shelves			•
	Under Cabinet LED Task Lighting			•
	Clock/Timer			•
	ITS/ETL Pre-Wired (2) Duplex Electrical Outlets		•	•
	Horizontal Surface Laminate			•
	Large In-Out Sliding Work Surface		•	•
	Sliding Work Surface Predrilled for EVOGUE Delivery Systems		•	•
	Lower Sliding Bi-Pass Doors			•
	Stainless Steel Covered Marine Plywood Base with Leveling Feet (Unfinished Back)			•

▪ Delivery Systems Options

EVG3561	EVOGUE Left-Right Doctor's & Assistant's Delivery (Bottled Water System Only)	\$6,430	▪	▪
EVG3563	EVOGUE Left-Right Assistant's Instruments Only (Bottled Water System Only)	\$4,290	▪	▪

▪ Options

91970	Finish Toe Base Back with Stainless Steel	\$90	▪	▪
91960	Remove Radius End(s) (D5 Minus 4 Ends, D5-L Minus 2 Ends, New Width: 28-1/4")	(\$100/ Side)	▪	▪
91121	Panoramic X-Ray Film Viewer (Max Size 6"x12")	\$370	▪	▪
91140	Cutout for Analgesia (Specify Size)	\$80	▪	▪
91150	Cutout for Communication System (Specify Size)	\$80	▪	▪
91273	Additional Tempered Glass Shelf	\$70		▪
91417	D5CM Upgrade from Horizontal Surface Laminate to LX Hausys HI-Macs® Solid Surface Top and Sliding Surface	\$1,620		▪
91416	D5CML Upgrade from Horizontal Surface Laminate to LX Hausys HI-Macs® Solid Surfaces Tops and Sliding Surface	\$1,850	▪	
91447	D5CM Upgrade from Horizontal Surface Laminate to Cambria™ Quartz Work Surfaces and Sliding Top	\$1,900		▪
91446	D5CML Upgrade from Horizontal Surface Laminate to Cambria™ Quartz Work Surfaces and Sliding Top	\$2,420	▪	
91401	Cabinet Mounted USB Hub	\$390		▪
91969	Short Track Under Cabinet Left to Right Sliding Flat Panel Monitor (24"Max) Mount	\$930		▪
91242	Pass-Thru Upper Storage (Includes Finished Toe Base Back)	\$540		▪
91400	USB Charging Duplex Outlet (Specify Location on Drawing When Ordering)	\$160	▪	▪



91242 Pass-Thru Upper Storage with Tempered Glass Shelves



D5CM with optional 91121 Panoramic X-Ray Film Viewer

Dental Cabinetry X-Calibur D-Series

Model D66CM2

Model D66CM3 **\$11,690**



D66CM X-Calibur Left-Right Rear Treatment Console

Shown with Optional (3) Compartment Lower Cabinet and Horizontal Surface Laminate Countertop

Model D66CM2L

Model D66CM3L **\$7,410**



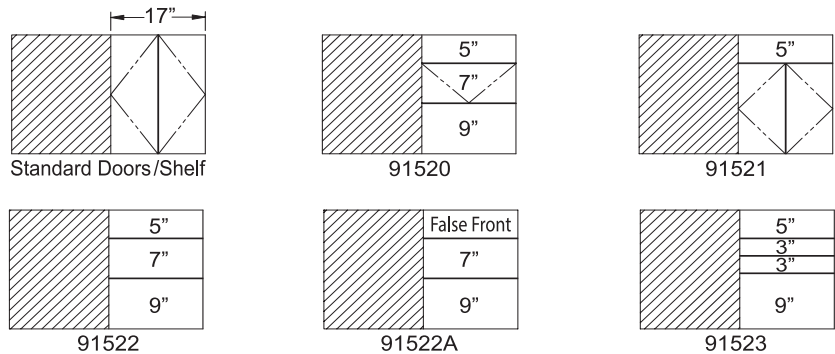
D66CM3L X-Calibur Rear Treatment Console

Shown with Optional (3) Compartment Lower Cabinet and Horizontal Surface Laminate Countertop

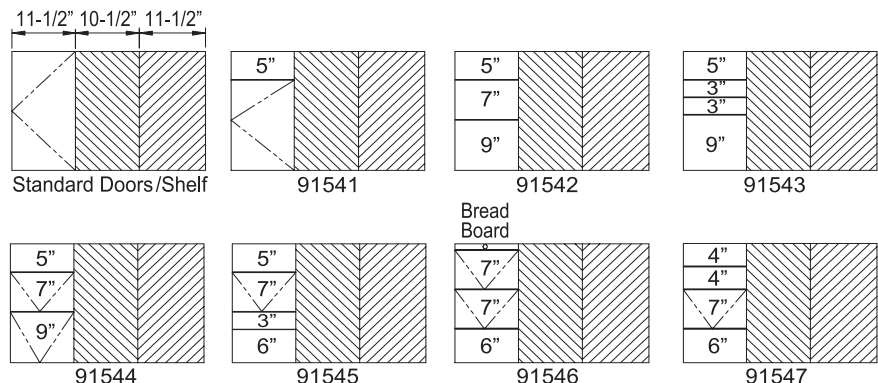
Model	Description	Retail		
D66CM2	X-Calibur Left-Right Rear Treatment Console	\$11,690		
D66CM3	X-Calibur Left-Right Rear Treatment Console	\$11,690		
D66CM2L	X-Calibur Lower Left-Right Rear Treatment Console	\$7,410		
D66CM3L	X-Calibur Lower Left-Right Rear Treatment Console	\$7,410		
• Standard Features				
	3mm PVC Edging on Doors/Drawer Fronts		•	•
	Soft Close Doors		•	•
	Snap-On European Concealed Hinges		•	•
	Stainless Steel Handles/Pulls		•	•
	Laminated Upper Storage Doors with Windows			•
	Upper Storage with 10 Tempered Glass Shelves			•
	Under Cabinet LED Task Lighting			•
	Clock/Timer			•
	ITS/ETL Pre-Wired Duplex Electrical Outlet		•	•
	Duplex Electrical Outlets:			
	1. One Outlet 2. Two Outlets		1	2
	Horizontal Surface Laminate		•	•
	4-Way Left-Right/In-Out Sliding Work Surface		•	•
	Sliding Work Surface Predrilled For EVOGUE Delivery Systems		•	•
	Stainless Steel Covered Marine Plywood Base with Leveling Feet (Unfinished Back)		•	•
▪ Options				
91970	Finish Toe Base Back with Stainless Steel	\$90		▪
91960	Remove Radius End(s) (D66CM2/3 Minus 4 Ends, D66CM2/3-L Minus 2 Ends, New Width: 36")	(\$100/ Side)	▪	▪
91121	Panoramic X-Ray Film Viewer (Max Size 6"x12")	\$370		▪
91950	Mid Section Control Box with Work Surface	\$550		▪
91140	Cutout for Analgesia (Specify Size)	\$80		▪
91150	Cutout for Communication System (Specify Size)	\$80		▪
91197	Lead Lining for D66CM	\$1,010		▪
91240	Pass-Thru Upper Storage for D66CM3 & D66CM2 (Includes Finished Toe Base Back)	\$540		▪
91248	Extended Upper Storage with Flip-Up Door for D66CM3 & D66CM2	\$1,020		▪
91274	Additional Tempered Glass Shelf 1/4"x9-13/16"x16-9/16"	\$70		▪
91282	Additional Shelf for Lower Storage (Specify CM2 or CM3)	\$40		▪
91418	D66CM Upgrade from Horizontal Surface Laminate to LX HI-Macs® Solid Surface Top and Sliding Surface	\$1,910		▪
91419	D66CML Upgrade from Horizontal Surface Laminate to LX HI-Macs® Solid Surfaces Tops and Sliding Surface	\$2,100		▪
91448	D66CM Upgrade from Horizontal Surface Laminate to Cambria™ Quartz Work Surfaces and Sliding Top	\$2,820		▪
91449	D66CML Upgrade from Horizontal Surface Laminate to Cambria™ Quartz Work Surfaces and Sliding Top	\$3,340		▪
91400	USB Charging Duplex Outlet (Specify Location on Drawing When Ordering)	\$160		▪
91935	Slide-In Pocket Door	\$460		▪
91936	CPU Pull-out Shelf	\$380		▪
91937	Fan for Computer Vent	\$330		▪
91938	Vent Grill on Door	\$110		▪
91942	Vent Grill for Upper Storage	\$160		▪
91401	Cabinet Mounted USB Hub	\$390		▪
91939	Monitor Arm for Flat Panel Monitor	\$710		▪
91949	Under Cabinet Left to Right Sliding Flat Panel Monitor (24" Max) Mount	\$940		▪

Options (Continued)			
Model	Description	Retail	
D66CM2	X-Calibur Left-Right Rear Treatment Console	\$11,690	
D66CM3	X-Calibur Left-Right Rear Treatment Console		
D66CM2L	X-Calibur Lower Left-Right Rear Treatment Console		
D66CM3L	X-Calibur Lower Left-Right Rear Treatment Console	\$7,410	
Delivery Systems Options:			
EVG3561	EVOGUE Left-Right Doctor's & Assistant's Delivery (Bottled Water System Only)	\$6,430	■ ■
EVG3563	EVOGUE Left-Right Assistant's Instruments Only (Bottled Water System Only)	\$4,290	■ ■
Two Compartment Lower Cabinet Options:			
92994	Upgrade to Soft Close Drawer (Per Drawer)	\$190	■ ■
91520	(1) 5" Drawer, (1) 7" Equipment Pull-Out, & (1) 9" Drawer	\$720	■ ■
91521	(1) 5" Drawer & (2) Doors	\$390	■ ■
91522	(1) 5" Drawer, (1) 7" Drawer, & (1) 9" Drawer	\$510	■ ■
91522A	(1) 5" False Front, (1) 7" Drawer, & (1) 9" Drawer	\$580	■ ■
91523	(1) 5" Drawer, (2) 3" Drawers, & (1) 9" Drawer	\$960	■ ■
Three Compartment Lower Cabinet Options:			
92994	Upgrade to Soft Close Drawer (Per Drawer)	\$190	■ ■
91541	(1) 5" Drawer, (1) Door	\$300	■ ■
91542	(1) 5" Drawer, (1) 7" Drawer, & (1) 9" Drawer	\$580	■ ■
91543	(1) 5" Drawer, (2) 3" Drawers, & (1) 9" Drawer	\$880	■ ■
91544	(1) 5" Drawer, (1) 7" Drawer, & (1) 9" Equipment Pull-Out	\$790	■ ■
91545	(1) 5" Drawer, (1) 7" Equipment Pull-Out, (1) 3" Drawer & (1) 6" Drawer	\$960	■ ■
91546	(1) Breadboard, (2) 7" Equipment Pull-Outs, & (1) 6" Drawer	\$1,100	■ ■
91547	(2) 4" Drawer, (1) 7" Equipment Pull-Out, & (1) 6" Drawer	\$960	■ ■

Option: D66CM2 Two Compartment For Lower Cabinet



Option: D66CM3 Three Compartment For Lower Cabinet



Dental Cabinetry X-Calibur D-Series

Model D66CM3F **\$11,870**



D66CM3F X-Calibur Left-Right Rear Treatment Console (42" Wide with Flat Sides)

Shown with Optional (3) Compartment Lower Cabinet and Horizontal Surface Laminate Countertop

Model D66CM353 **\$15,490**



D66CM353 X-Calibur Left-Right Rear Treatment Console (53" Wide)

Shown with Optional (3) Compartment Lower Cabinet and Horizontal Surface Laminate Countertop

Model	Description	Retail		
D66CM3F	X-Calibur Left-Right Rear Treatment Console 42" Wide, Flat Sides	\$11,870		
D66CM353	X-Calibur Left-Right Rear Treatment Console 53" Wide	\$15,490		
• Standard Features				
	3mm PVC Edging on Doors/Drawer Fronts		•	•
	Soft Close Doors		•	•
	Snap-On European Concealed Hinges		•	•
	Stainless Steel Handles/Pulls		•	•
	Laminated Upper Storage Doors with Windows		•	•
	Upper Storage with 10 Tempered Glass Shelves		•	•
	Under Cabinet LED Task Lighting		•	•
	Clock/Timer		•	•
	(2) ITS/ETL Pre-Wired Duplex Electrical Outlets		•	•
	Horizontal Surface Laminate		•	•
	4-Way Left-Right/In-Out Sliding Work Surface		•	•
	Sliding Work Surface Predrilled for EVOGUE Delivery Systems		•	•
	Stainless Steel Covered Marine Plywood Base with Leveling Feet (Unfinished Back)		•	•

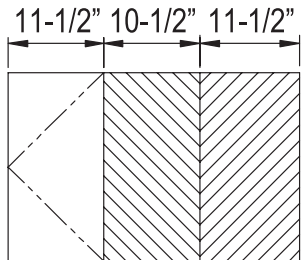
Options

91970	Finish Toe Base Back with Stainless Steel	\$90	•	•
91960	Remove Radius End(s) (D66CM2/3 Minus 4 Ends, D66CM2/3-L Minus 2 Ends, New Width: 36")	(\$100/Side)	•	•
91121	Panoramic X-Ray Film Viewer (Max Size 6"x12")	\$370	•	•
91950	Mid Section Control Box with Work Surface	\$550	•	•
91140	Cutout for Analgesia (Specify Size)	\$80	•	•
91150	Cutout for Communication System (Specify Size)	\$80	•	•
91197	Lead Lining for D66CM	\$1,010	•	•
91240F	Pass-Thru Upper Storage for D66CM3F (Includes Finished Toe Base Back)	\$790	•	•
9124053	Pass-Thru Upper Storage for D66CM353 (Includes Finished Toe Base Back)	\$780	•	•
91248F	Extended Upper Storage with Flip-up Door for D66CM3F	\$1,270	•	•
9124853	Extended Upper Storage with Flip-up Door for D66CM353	\$1,270	•	•
91274	Additional Tempered Glass Shelf 1/4"x9-13/16"x16-9/16"	\$70	•	•
91282	Additional Shelf for Lower Storage (Specify CM2 or CM3)	\$40	•	•
91418F	D66CM3F Upgrade from Horizontal Surface Laminate to LX HI-Macs® Solid Surfaces Tops and Sliding Surface	\$1,910	•	•
9141853	D66CM353 Upgrade from Horizontal Surface Laminate to LX HI-Macs® Solid Surfaces Tops and Sliding Surface	\$1,950	•	•
91448F	D66CM3F Upgrade from Horizontal Surface Laminate to Cambria™ Quartz Work Surfaces and Sliding Top	\$2,820	•	•
9144853	D66CM353 Upgrade from Horizontal Surface Laminate to Cambria™ Quartz Work Surfaces and Sliding Top	\$3,160	•	•
91400	USB Charging Duplex Outlet (Specify Location on Drawing When Ordering)	\$160	•	•
91935	Slide-In Pocket Door	\$460	•	•
91936	CPU Pull-Out shelf	\$380	•	•
91937	Fan for Computer Vent	\$330	•	•
91938	Vent Grill on Door	\$110	•	•
91942	Vent Grill for Upper Storage	\$160	•	•
91401	Cabinet Mounted USB Hub	\$390	•	•
91939	Monitor Arm for Flat Panel Monitor	\$710	•	•
91949	Under Cabinet Left to Right Sliding Flat Panel Monitor (24" Max) Mount	\$940	•	•

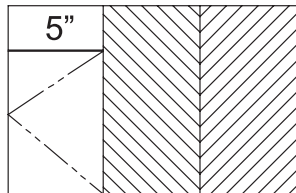
Options (Continued)

Model	Description	Retail		
D66CM3F	X-Calibur Left-Right Rear Treatment Console 42" Wide, Flat Sides	\$11,870		
D66CM353	X-Calibur Left-Right Rear Treatment Console 53" Wide	\$15,490		
Delivery Systems Options:				
EVG3561	EVOGUE Left-Right Doctor's & Assistant's Delivery (Bottled Water System Only)	\$6,430	▪	▪
EVG3563	EVOGUE Left-Right Assistant's Instruments Only (Bottled Water System Only)	\$4,290	▪	▪
Three Compartment Lower Cabinet Options:				
92994	Upgrade to Soft Close Drawer (Per Drawer)	\$190	▪	▪
91541	(1) 5" Drawer, (1) Door	\$300	▪	▪
91542	(1) 5" Drawer, (1) 7" Drawer, & (1) 9" Drawer	\$580	▪	▪
91543	(1) 5" Drawer, (2) 3" Drawers, & (1) 9" Drawer	\$880	▪	▪
91544	(1) 5" Drawer, (1) 7" Drawer, & (1) 9" Equipment Pull-Out	\$790	▪	▪
91545	(1) 5" Drawer, (1) 7" Equipment Pull-Out, (1) 3" Drawer & (1) 6" Drawer	\$960	▪	▪
91546	(1) Breadboard, (2) 7" Equipment Pull-Outs, & (1) 6" Drawer	\$1,100	▪	▪
91547	(2) 4" Drawer, (1) 7" Equipment Pull-Out, & (1) 6" Drawer	\$960	▪	▪

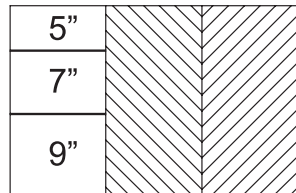
Option: D66CM3 Three Compartment For Lower Cabinet



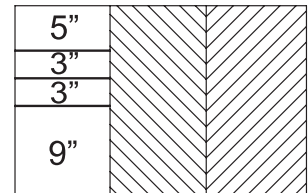
Standard Doors/Shelf



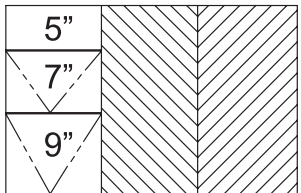
91541



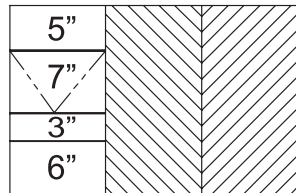
91542



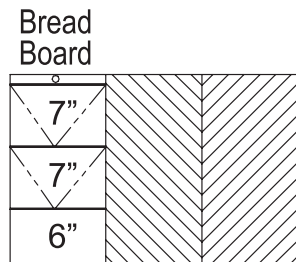
91543



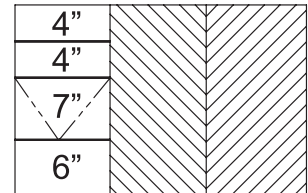
91544



91545



91546



91547

Dental Cabinetry X-Calibur D-Series

Model D66CM3DS **\$30,890**



D66CM3DS X-Calibur Left-Right Rear Treatment Console with Dual Sink Units

Shown with Dual Sink Modules; Optional Under Mount Solid Bowl and Optional Cambria™ Quartz Countertops

Model D66CM3LS **\$21,560**



D66CM3LS X-Calibur Left-Right Rear Treatment Console with Left Sink Unit

Shown with Optional Under Mount Solid Bowl and Optional Cambria™ Quartz Countertops

Model D66CM3RS **\$21,560**



D66CM3RS X-Calibur Left-Right Rear Treatment Console with Right Sink Unit

Shown with Right Sink Module Optional Under Mount Solid Bowl and Optional Cambria™ Quartz Countertops

Model	Description	Retail			
D66CM3DS	X-Calibur L-R Rear Treatment Console with Dual Sink Units	\$30,890			
D66CM3LS	X-Calibur L-R Rear Treatment Console with Left Side Sink Unit	\$21,560			
D66CM3RS	X-Calibur L-R Rear Treatment Console with Right Side Sink Unit	\$21,560			
• Standard Features					
	3mm PVC Edging on Doors/Drawer Fronts		•	•	•
	Soft Close Doors		•	•	•
	Snap-On European Concealed Hinges		•	•	•
	Stainless Steel Handles/Pulls		•	•	•
	Laminated Upper Storage Doors With Windows		•	•	•
	Upper Storage With 10 Tempered Glass Shelves		•	•	•
	Under Cabinet LED Task Lighting		•	•	•
	Clock/Timer		•	•	•
	ITS/ETL Pre-Wired Duplex Electrical Outlet		•	•	•
	Horizontal Surface Laminate		•	•	•
	4-Way Left-Right/In-Out Sliding Work Surface		•	•	•
	Sliding Work Surface Predrilled For EVOGUE Delivery Systems		•	•	•
	Stainless Steel Covered Marine Plywood Base with Leveling Feet (Unfinished Back)		•	•	•
	Stainless Steel Drop-In Sink & Hardware		•	•	•
	Manual Faucet with Knee-Activated TapMaster™		•	•	•
	Soap Dispenser		•	•	•
	Grommet with Waste Basket		•	•	•
	Upper Dispenser Above Wash Station(s) Includes: (1) Glove/Tissue, Towel & Cup Dispenser		•	•	•
▪ Options					
91601	Tapmaster™ Kick Pedal Activation with Manual Faucet (1 Per Sink Station)	\$680	▪	▪	▪
91612	Upgrade from Manual Faucet with Door Activated Tapmaster™ to Sensor Faucet (1 Per Sink Station)	\$1,540	▪	▪	▪
91483	D66CM-DS Upgrade from Horizontal Surface Laminate to LX Hausys HI-Macs® Solid Surface Top and Sliding Surface (Select Sink Below)	\$3,070			▪
91484	D66CMLS/RS Upgrade from Horizontal Surface Laminate to LX Hausys HI-Macs® Solid Surface Top and Sliding Surface (Select Sink Below)	\$2,380	▪	▪	
91485	D66CM-DS Upgrade from Horizontal Surface Laminate to Cambria™ Quartz Work Surfaces and Sliding Top (Select Sink Below)	\$5,540			▪
91486	D66CMLS/RS Upgrade from Horizontal Surface Laminate to Cambria™ Quartz Work Surfaces and Sliding Top (Select Sink Below)	\$4,180	▪	▪	
91950	Mid Section Control Box with Work Surface	\$550	▪	▪	▪
DS (Dual Sink) Options:					
916202	(2) Undermount Solid Bowls (Solid Surface or Cambria™)	\$1,830			▪
916212	(2) Undermount Stainless Steel Bowls (Solid Surface or Cambria™)	\$1,020			▪
LS/RS (Left Sink/Right Sink) Single Sink Options:					
91620	Undermount Solid Bowl (Solid Surface or Cambria™)	\$940	▪	▪	
91621	Undermount Stainless Steel Bowl (Solid Surface or Cambria™)	\$530	▪	▪	
Delivery Systems Options:					
EVG3561	EVOGUE Left-Right Doctor's & Assistant's Delivery (Bottled Water System Only)	\$6,430	▪	▪	▪
EVG3563	EVOGUE Left-Right Assistant's Instruments Only (Bottled Water System Only)	\$4,290	▪	▪	▪

Dental Cabinetry X-Calibur D-Series

Model D8

\$5,290



D8 Sink Unit with Optional Cambria™ Quartz Surface Countertop

Model	Description	Retail	
D8	X-Calibur Sink Unit	\$5,290	
• Standard Features			
	3mm PVC Edging on Doors		•
	Soft Close Doors		•
	Snap-On European Concealed Hinges		•
	Stainless Steel Handles/Pulls		•
	Stainless Steel Drop-In Sink & Hardware		•
	Manual Faucet with Knee-Activated TapMaster™		•
	Soap Dispenser		•
	Grommet with Waste Basket		•
	ITS/ETL Pre-Wired Quad Electrical Outlet (GFCI)		•
	Stainless Steel Covered Marine Plywood Base with Leveling Feet (Unfinished Back)		•
▪ Options			
91970	Finished Toe Base Back with Stainless Steel	\$90	▪
91960	Remove Radius End(s) (D8 Minus 2 Ends, New Width: 31")	(\$100/Side)	▪
91805	Glove/Tissue Dispenser on Door	\$150	▪
91612	Upgrade From Manual Faucet with Door Activated Tapmaster™ to Sensor Faucet	\$1,540	▪
91601	Tapmaster™ Kick Pedal with Manual Faucet	\$680	▪
91470	Stainless Steel Faucet/Soap Dispenser	\$550	▪
91466	Deduction of Sink Package	(\$400)	▪
91482	Upgrade from Horizontal Surface Laminate to LX Hausys HI-Macs® Solid Surface (Select Sink Below)	\$690	▪
91452	Upgrade from Horizontal Surface Laminate to Cambria™ Quartz Work Surface	\$1,380	▪
Sink Options:			
91620	Undermount Solid Bowl (Solid Surface or Cambria™)	\$940	▪
91621	Undermount Stainless Steel Bowl (Solid Surface or Cambria™)	\$530	▪

Dental Cabinetry X-Calibur D-Series

Model D9

\$2,150



D9 Mobile Cart with Optional Cambria™ Quartz Surface Countertop

Model	Description	Retail	
D9	X-Calibur Mobile Cart	\$2,150	
• Standard Features			
3mm PVC Edging on Drawer Fronts			•
Stainless Steel Handles/Pulls			•
(2) 6 ¼" Drawers, (2) 5" Drawers			•
100-pound Unigrass® Drawer Slides			•
180 Degree Swivel Casters (2) with Brake Locks			•
Horizontal Surface Laminate			•
▪ Options			
91399	Upgrade from Horizontal Surface Laminate to LX Hausys HI-Macs® Solid Surface	\$490	▪
91429	Upgrade from Horizontal Surface Laminate to Cambria™ Quartz Work Surface	\$670	▪
92994	Upgrade to Soft Close Drawer (Per Drawer)	\$190	▪

Model D50

\$4,320



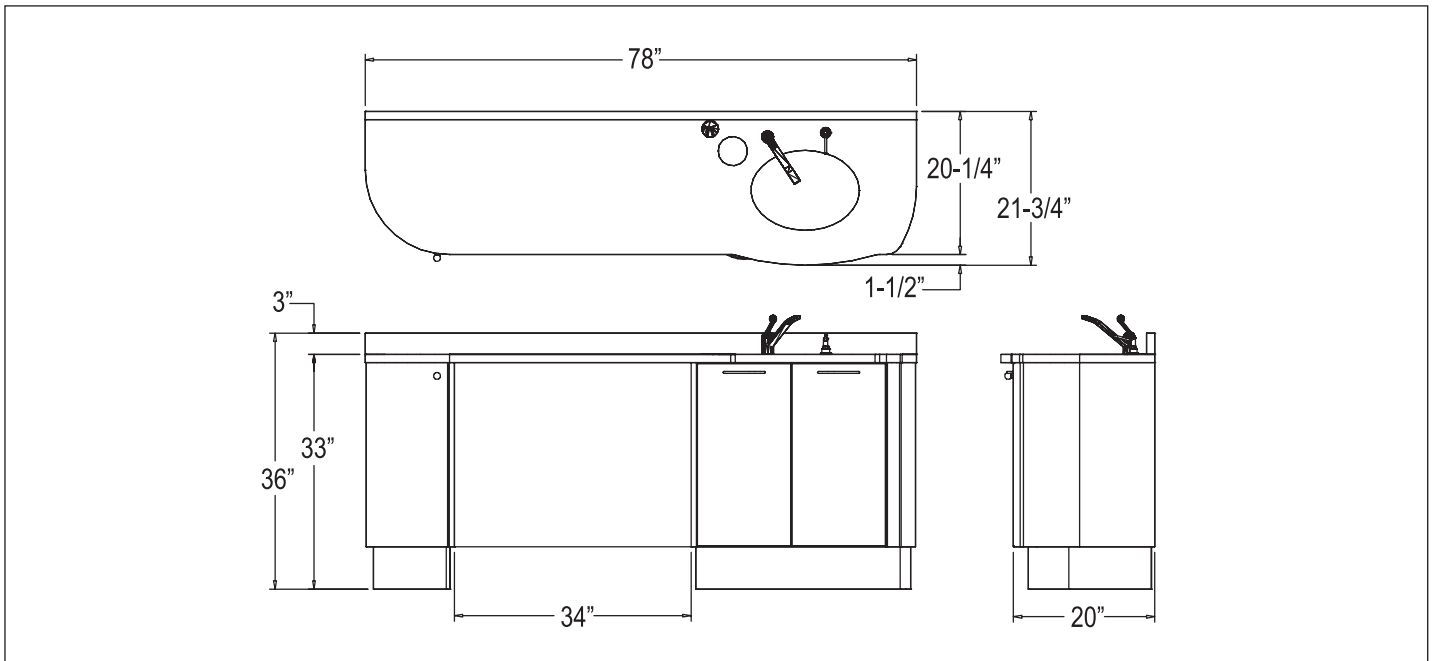
D50 X-Ray Pass-Thru Cabinet

Wall-Mounted and Optional Lead-Lined Doors Permits the Sharing of a Single Intraoral X-Ray Between Two Adjoining Operatories.

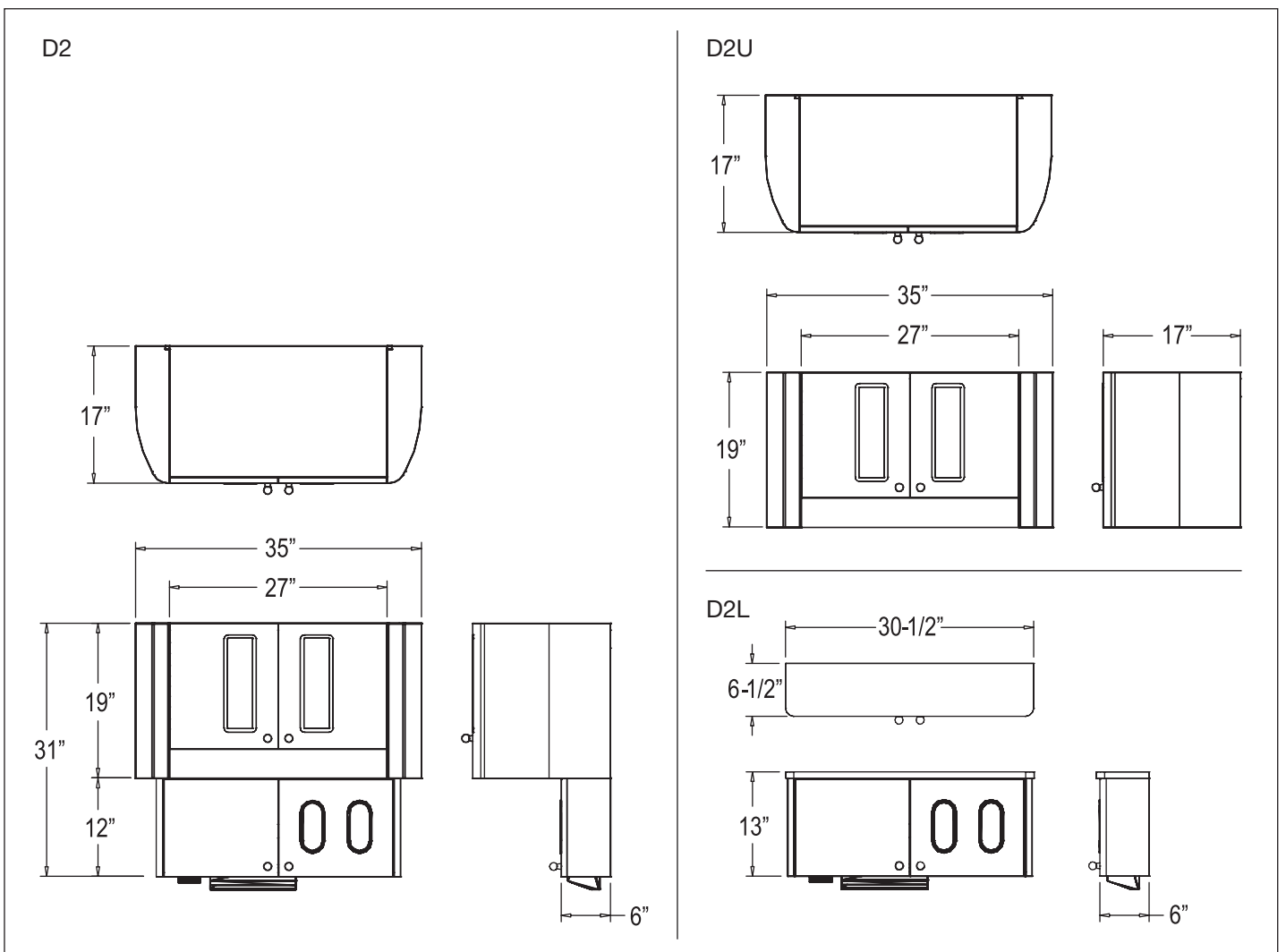
Model	Description	Retail	
D50	X-Calibur 50" Wide X-Ray Pass-Thru Cabinet with 2" Trim Kit	\$4,320	
• Standard Features			
3mm PVC Edging on Doors			•
Snap-On European Concealed Hinges			•
Standard Laminate Cabinet and Doors			•
▪ Options			
90851	Lead Laminated Doors	\$1,900	▪

Dental Cabinetry X-Calibur D-Series

D1RS Dimensions

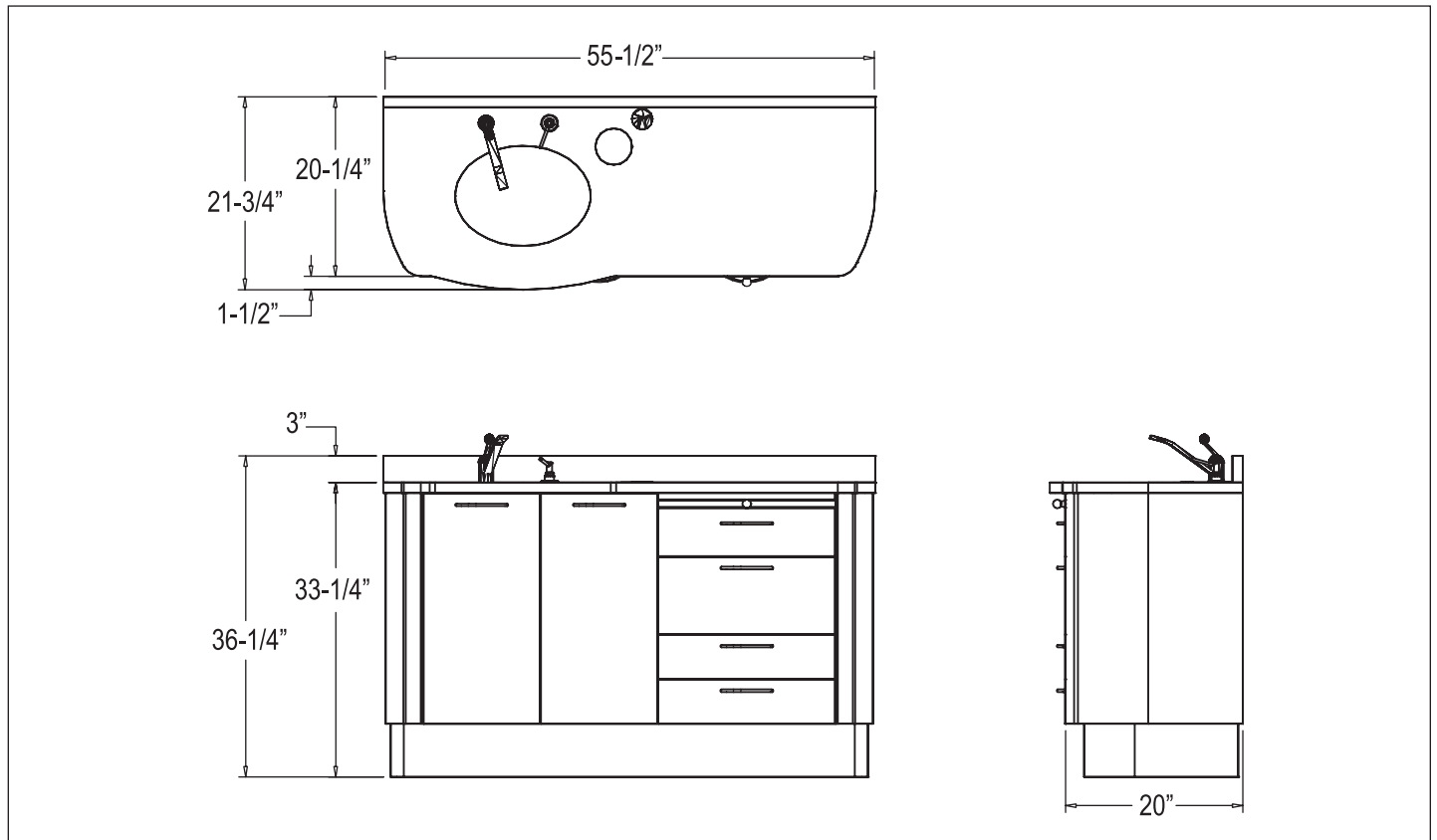


D2, D2U & D2L Dimensions

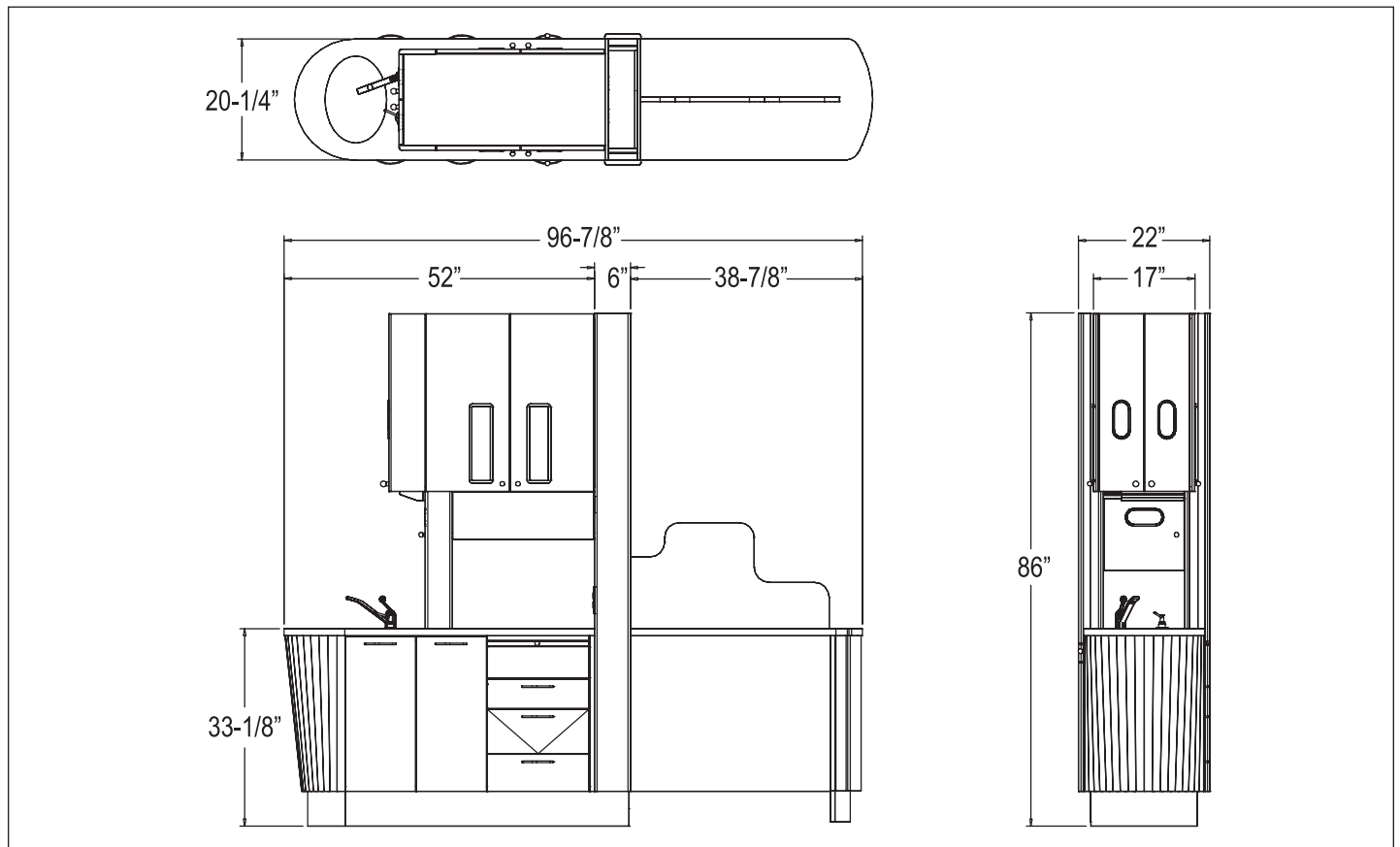


Dental Cabinetry X-Calibur D-Series

D3LS Dimensions

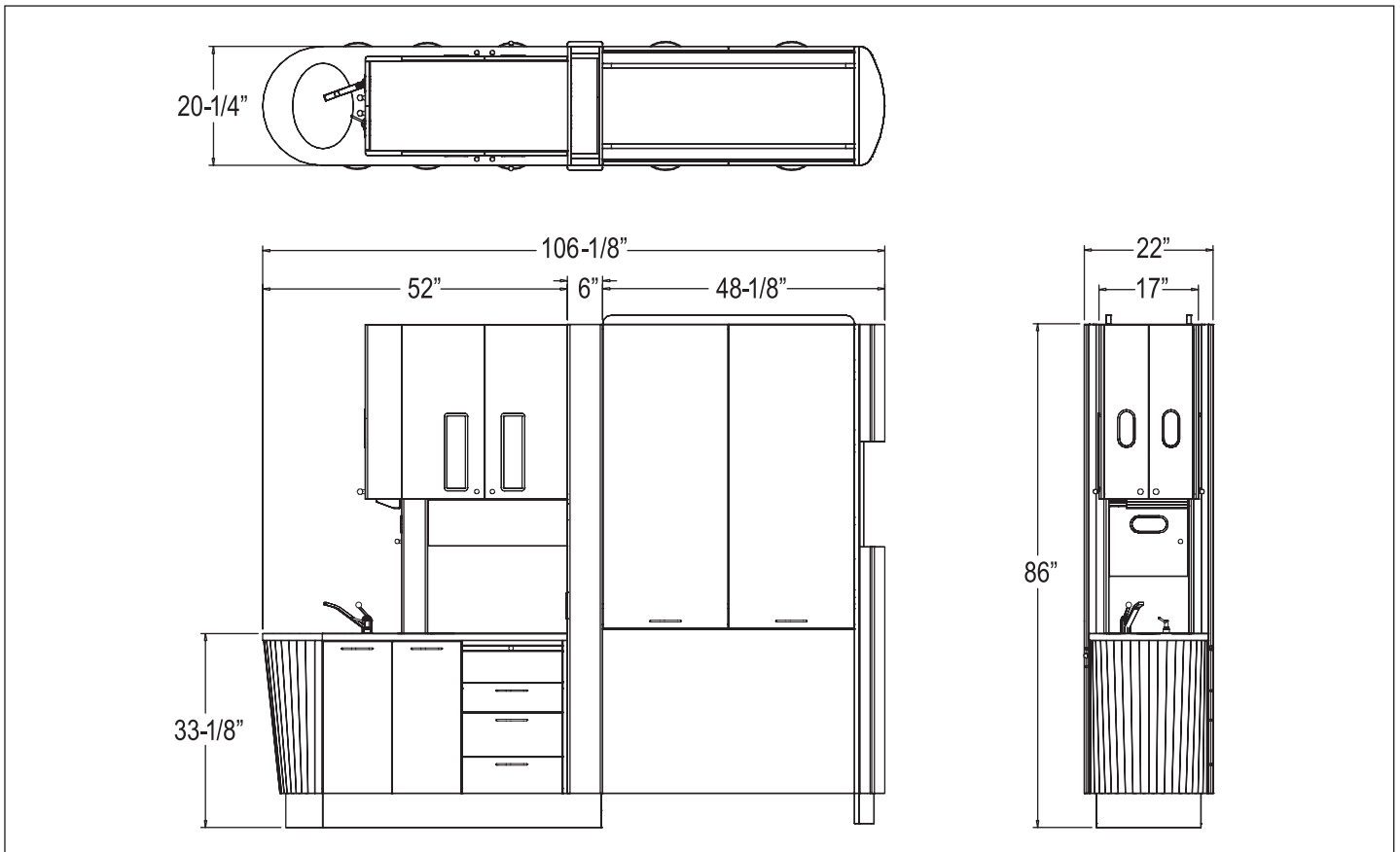


D4RH Dimensions (Standard)

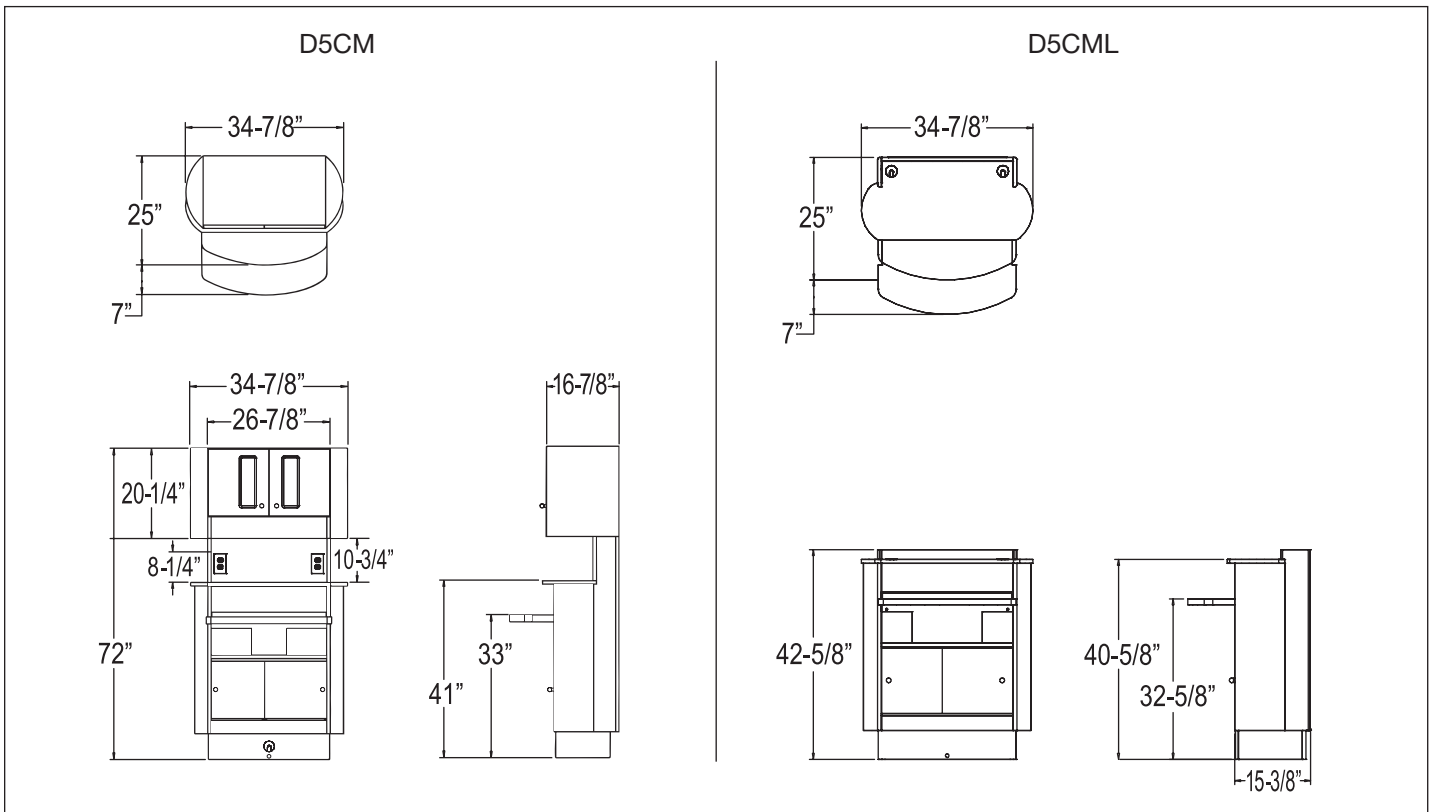


Dental Cabinetry X-Calibur D-Series

D4RH Dimensions (w/Bi-Fold Option)

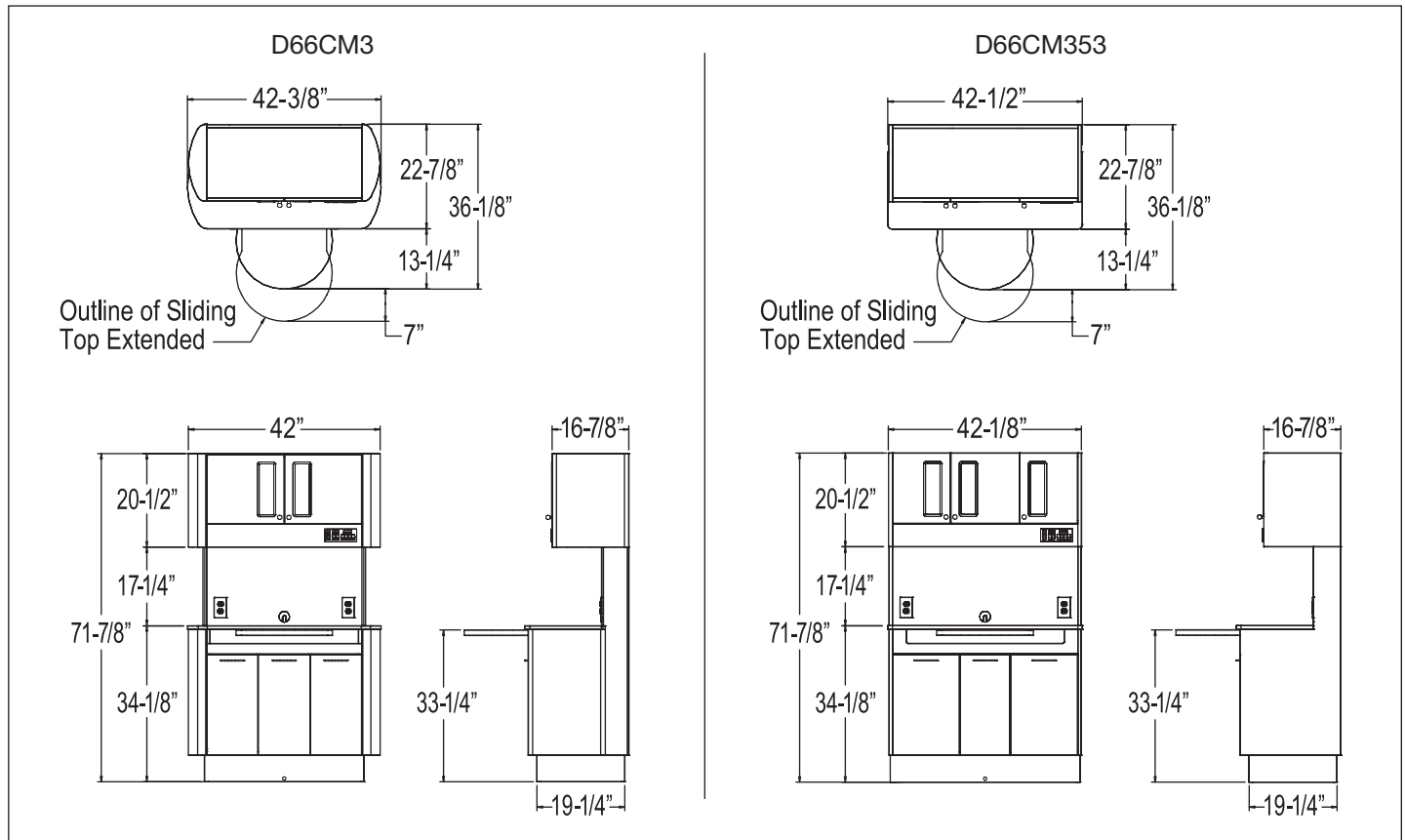


D5CM & D5CML Dimensions

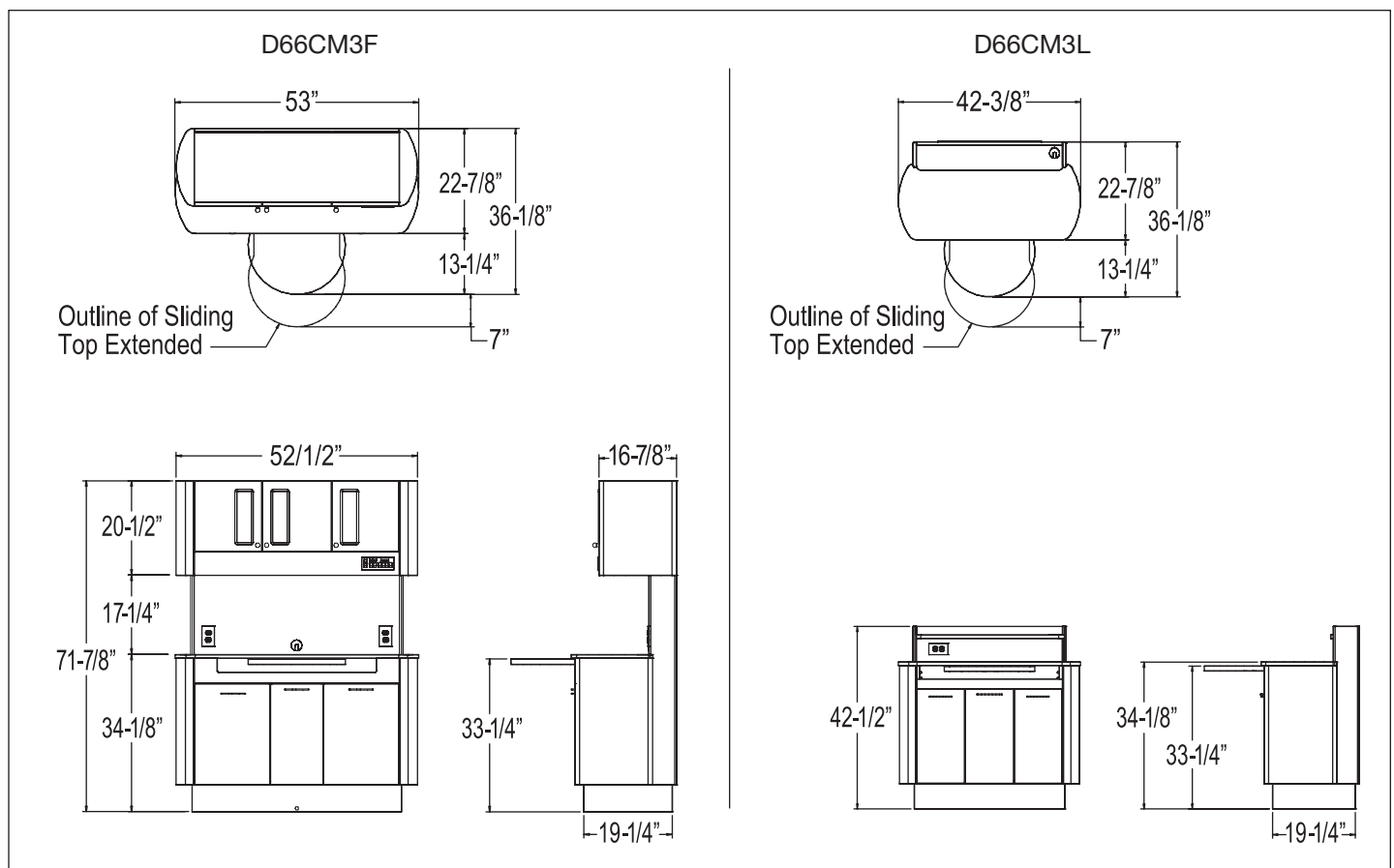


Dental Cabinetry X-Calibur D-Series

D66CM3 & D66CM353 Dimensions

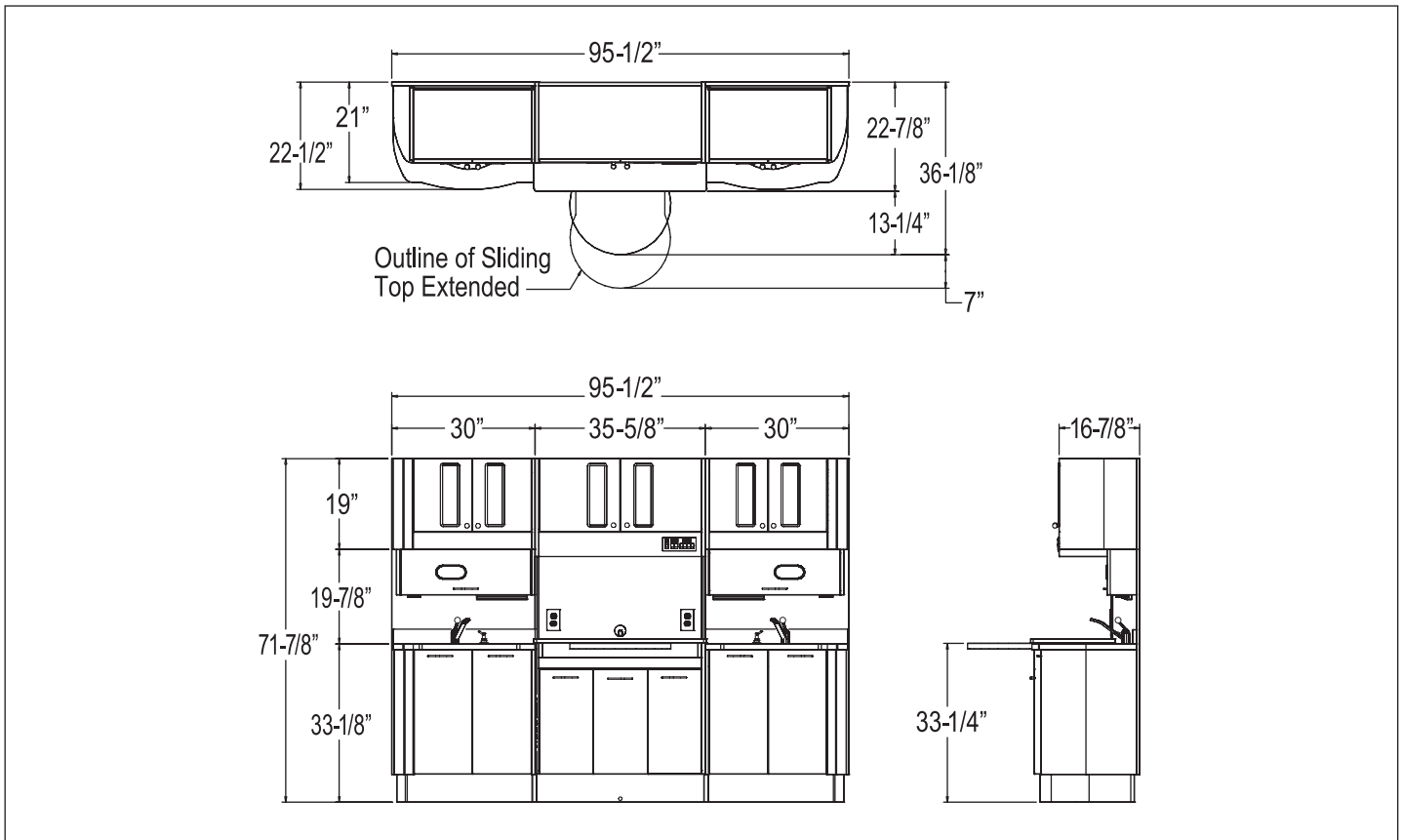


D66CM3F & D66CM3L Dimensions

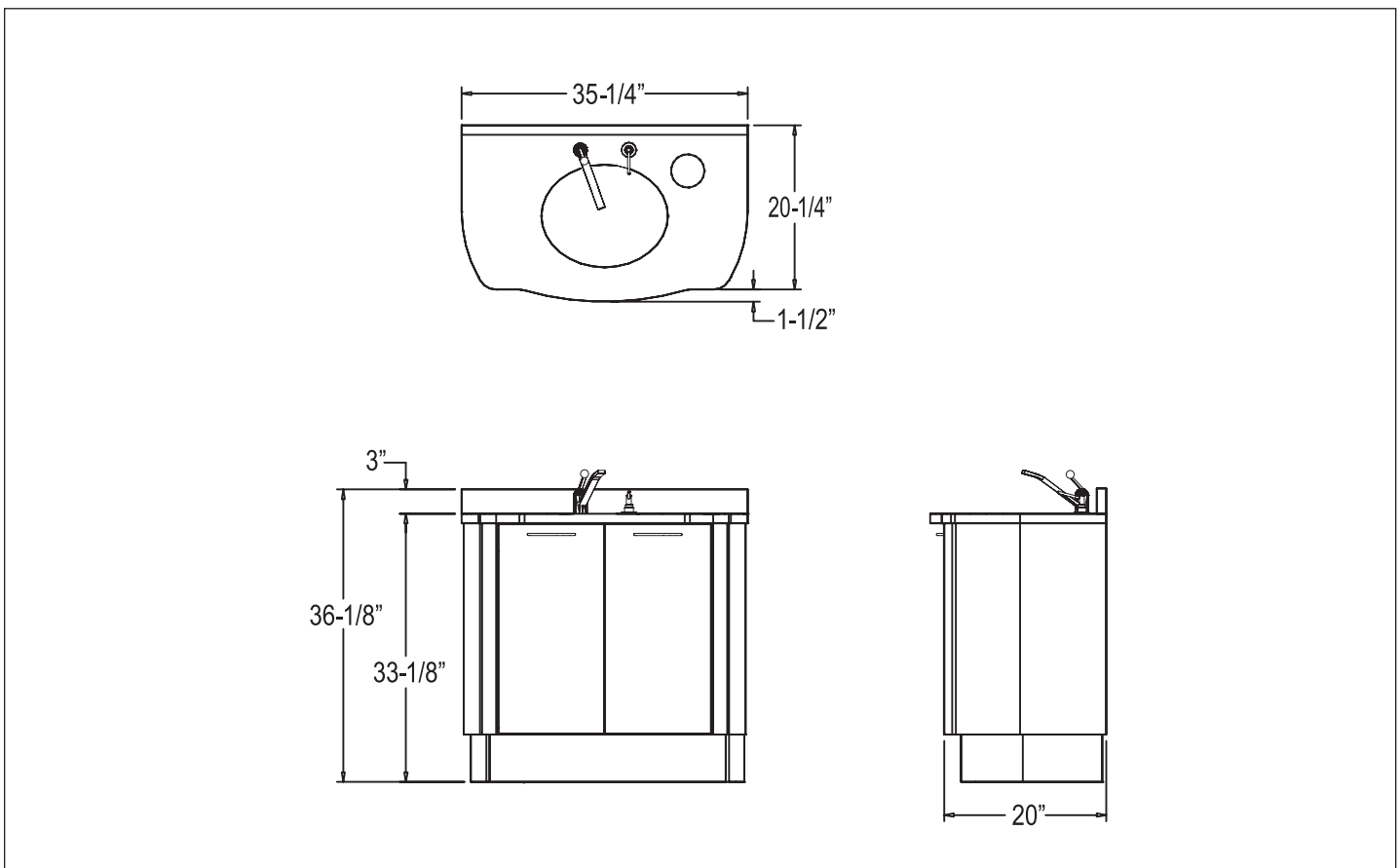


Dental Cabinetry X-Calibur D-Series

D66CM3DS Dimensions

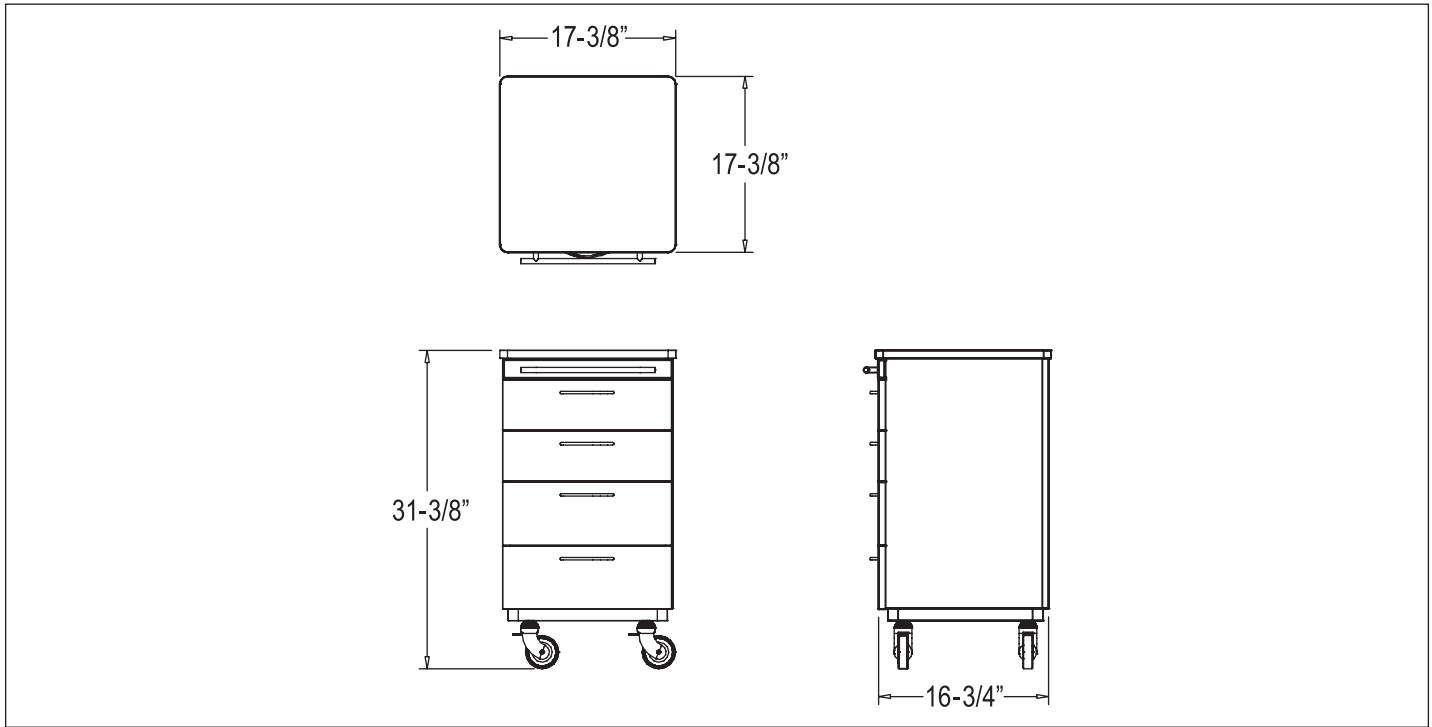


D8 Dimensions

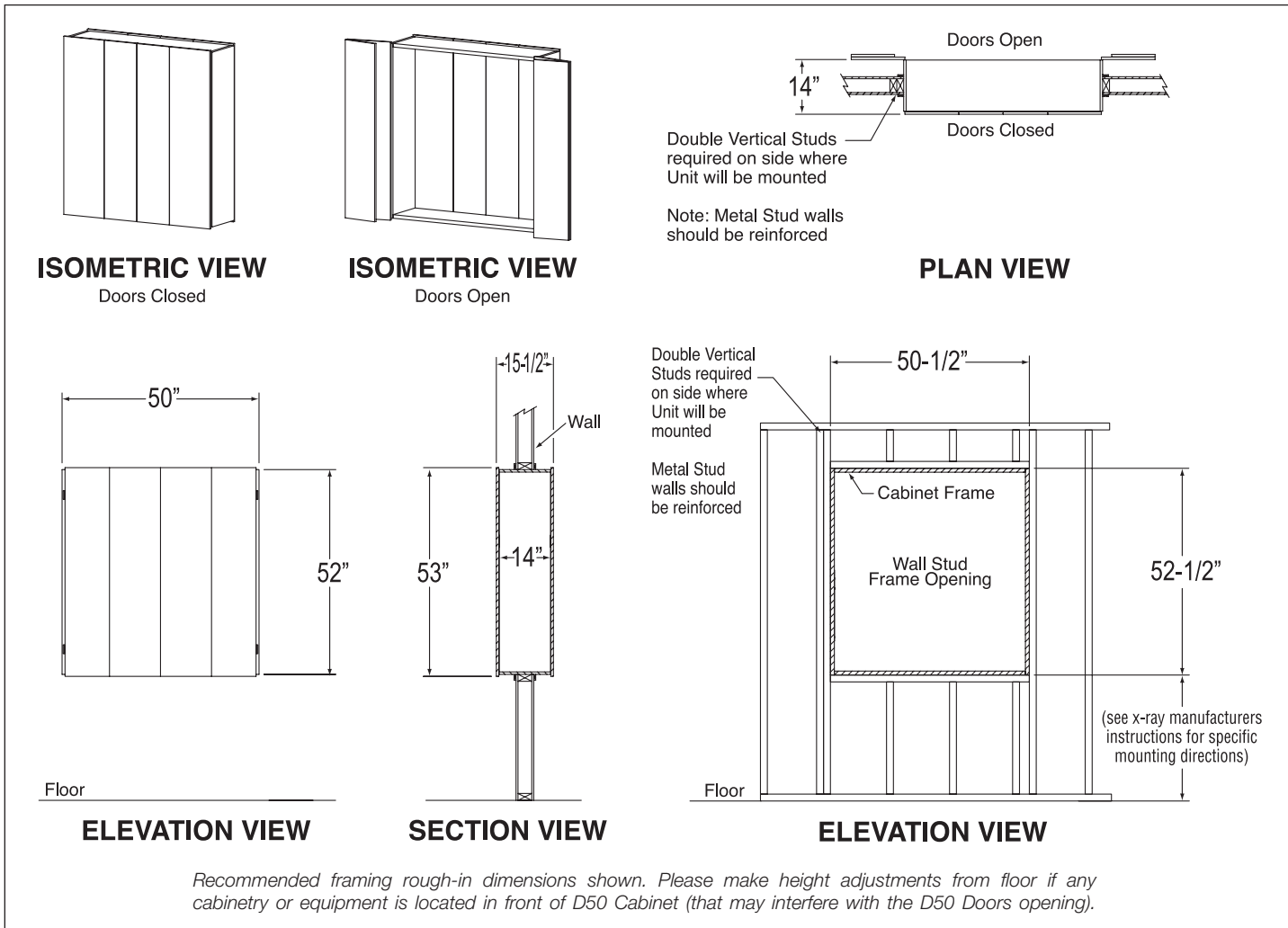


Dental Cabinetry X-Calibur D-Series

D9 Mobile Cart Dimensions



D50 Pass-Thru Cabinet Dimensions



Recommended framing rough-in dimensions shown. Please make height adjustments from floor if any cabinetry or equipment is located in front of D50 Cabinet (that may interfere with the D50 Doors opening).

K-Series Dental Cabinetry



Cabinetry Delivery System Components

Model	Description	Retail
EVG3561	EVOGUE Left-Right Doctor's & Assistant's Delivery System	\$6,430
EVG3563	EVOGUE Left-Right Assistant's Instruments	\$4,290
EVG3555	EVOGUE Doctor's Side Delivery System	\$9,210
Accessory Options		
90174	Air and Water Accessory panel	\$470

K-SERIES CABINETRY

Dental Cabinetry K-Series

Model KSCM3LS1 **\$6,820**



KSCM3LS1 Three Module Console with Left Sink

Model KSCM3LS2 **\$7,390**



KSCM3LS2 Three Module Console with Left Sink

Model KSCM3LS3 **\$7,390**



KSCM3LS3 Three Module Console with Left Sink

Model KSCM3LS4 **\$7,970**



KSCM3LS4 Three Module Console with Left Sink

Model KSCM2LS2 **\$6,040**



KSCM2LS2 Two Module Console with Left Sink

Side Cabinets

Model	Description	Retail
KSCM3LS1	Three Module; Left Sink, Door, Door	\$6,820
KSCM3CS1	Three Module; Door, Center Sink, Door	\$6,820
KSCM3RS1	Three Module; Door, Door, Right Sink	\$6,820
KSCM3LS2	Three Module; Left Sink, Drawer, Door	\$7,390
KSCM3CS2	Three Module; Drawer, Center Sink, Door	\$7,390
KSCM3RS2	Three Module; Door, Drawer, Right Sink	\$7,390
KSCM3LS3	Three Module; Left Sink, Door, Drawer	\$7,390
KSCM3CS3	Three Module; Door, Center Sink, Drawer	\$7,390
KSCM3RS3	Three Module; Drawer, Door, Right Sink	\$7,390
KSCM3LS4	Three Module; Left Sink, Drawer, Drawer	\$7,970
KSCM3CS4	Three Module; Drawer, Center Sink, Drawer	\$7,970
KSCM3RS4	Three Module; Drawer, Drawer, Right Sink	\$7,970
KSCM2LS1	Two Module; Left Sink, Door	\$5,470
KSCM2RS1	Two Module; Door, Right Sink	\$5,470
KSCM2LS2	Two Module; Left Sink, Drawer	\$6,040
KSCM2RS2	Two Module; Drawer, Right Sink	\$6,040
KSCM1LS1	Sink Module Left Sink	\$4,230
KSCM1RS1	Sink Module Right Sink	\$4,230
KSCM1LS2	Sink Module with Alcove Left Sink	\$5,660
KSCM1RS2	Sink Module; with Alcove Right Sink	\$5,660

• Standard Features

3mm PVC Edging on Doors and Drawer Fronts	•	•	•	•	•
Soft Close Doors	•	•	•	•	•
Snap-On European Concealed Hinges	•	•	•	•	•
Stainless Steel Handles/Pulls	•	•	•	•	•
Manual Faucet with Knee Activated Tapmaster®	•	•	•	•	•
Undermount Stainless Steel Bowl	•	•	•	•	•
Soap Dispensers	•	•	•	•	•
Trash Chute with Waste Basket	•	•	•	•	•
Standard Belmont Laminate Exteriors with White Interior*	•	•	•	•	•
LX Hausys HI-MACS™ Countertop (Belmont Standard Colors)*	•	•	•	•	•
Stainless Steel Covered Marine Plywood Base with Leveling Feet (Unfinished Back)	•	•	•	•	•

▪ Options

93570	Upper Storage With Glove, Towel, Cup Dispenser	\$1,290	▪	▪	▪	▪	▪
92994	Upgrade to Soft Close Drawer (Per Drawer)	\$190	▪	▪	▪	▪	▪
91602	Tapmaster Single Kick Pedal and Cabinet Door Combination With Manual Faucet	\$930	▪	▪	▪	▪	▪
91806	Undermount Large Sharps Container	\$600	▪	▪	▪	▪	▪

Model KSCM1LS1 **\$4,230**



KSCM1LS1 Sink Module with Left Sink

Model KSCM1LS2 **\$5,660**



KSCM1LS2 Sink Module with Alcove

Dental Cabinetry K-Series

Model K66SS

\$10,980



K66SS Rear Treatment Console with 4-Way Left-Right/In-Out Sliding Worksurface

Model K66SSLW

\$6,970



K66SSLW Rear Treatment Console with 4-Way Left-Right/In-Out Sliding Worksurface



Inset Drawers with PVC Edging Provide a Classic Touch of Sophistication as well as Protection for Drawer Edges



Removable Back Panel, Drawers and Bottom Shelf Permit Easy Service Access



The 4-Way Sliding Worksurface Adds Improved Flexibility for Clinicians When Positioning Instruments or Delivery Systems for Patient Treatment. (Delivery System Not Included)

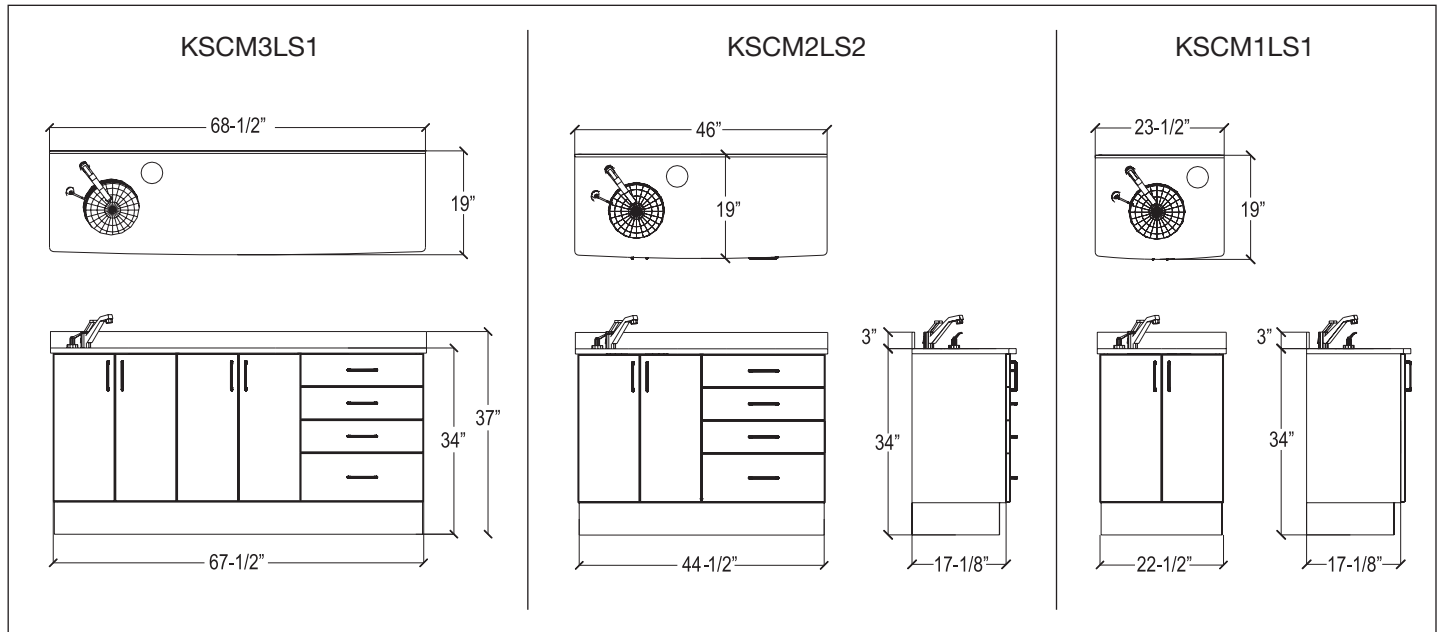
Rear Treatment Consoles

Model	Description	Retail		
K66SS	Rear Treatment Console with 4-Way Left-Right/In-Out Sliding Worksurface	\$10,980		
K66SSLW	Rear Treatment Console, Lower Section, with 4-Way Left-Right/In-Out Sliding Worksurface	\$6,970		
• Standard Features				
	3mm PVC Edging on Doors		•	•
	Soft Close Doors		•	•
	Snap-On European Concealed Hinges		•	•
	Stainless Steel Handles/Pulls		•	•
	Upper Storage Compartment with (4) Tempered Glass Shelves			•
	Center Upper Compartment for CPU Storage with Vent Grills			•
	Under Cabinet Left-Right Sliding Monitor Mount			•
	Under Cabinet LED Task Lights with Dimmer Control			•
	Dual Glove/Tissue Storage			•
	Utility Column with (2) Duplex Outlets and (1) Grommet			•
	Utility Column Removable Front Panel for Easy Access			•
	Removable Shelf Tops for Easy Access			•
	(4) Way Sliding Countertop In-Out/Left-Right		•	•
	Lower Left Storage Compartment with (2) Adjustable Shelves		•	•
	Lower Center Storage Compartment with (1) Adjustable Shelf or for Nitrous Rubber Goods		•	•
	Lower Center Removable Front for Accutron Digital and Manual Disconnects		•	•
	Right Side Drawers		•	•
	Standard Belmont Laminate Exteriors with White Interiors		•	•
	LX Hausys HI-MACS™ Countertop		•	•
	Removable Base Access Panel		•	•
	Removable Panel on Back for Access During Installation		•	•
	Stainless Steel Covered Marine Plywood Base with Leveling Feet		•	•
▪ Options				
90140	Cutout for Analgesia (Specify Size)	\$80	▪	▪
90400	USB Charging Duplex Outlet (Specify Location When Ordering)	\$160	▪	▪
90995	Additional Upper Storage Glass Shelf	\$50	▪	▪
90997	Pass-Thru Upper Storage	\$520	▪	▪
93808	Mid-shelf without Tip Out Bin	\$550	▪	▪
93809	Mid-shelf with Tip Out Bin (3 cubbies)	\$720	▪	▪
93810	Mid-shelf with Tip Out Bin (6 cubbies)	\$750	▪	▪
90994	Motion Activated Door Light Kit	\$180	▪	▪
93920	Switches The Left And Right Sides Of The Selected Lower Conguration (Can Use With Standard, 93911, 93912 or 93913)	No Charge When Ordered With Cabinet	▪	▪
93938	Vent Grill on Doors	\$110	▪	▪
92994	Upgrade to Soft Close Drawer (Per Drawer)	\$190	▪	▪
▪ Delivery Systems Options				
EVG3561	EVOGUE Left-Right Doctor's & Assistant's Delivery (Bottled Water System Only)	\$6,430	▪	▪
EVG3563	EVOGUE Left-Right Assistant's Instruments Only (Bottled Water System Only)	\$4,290	▪	▪

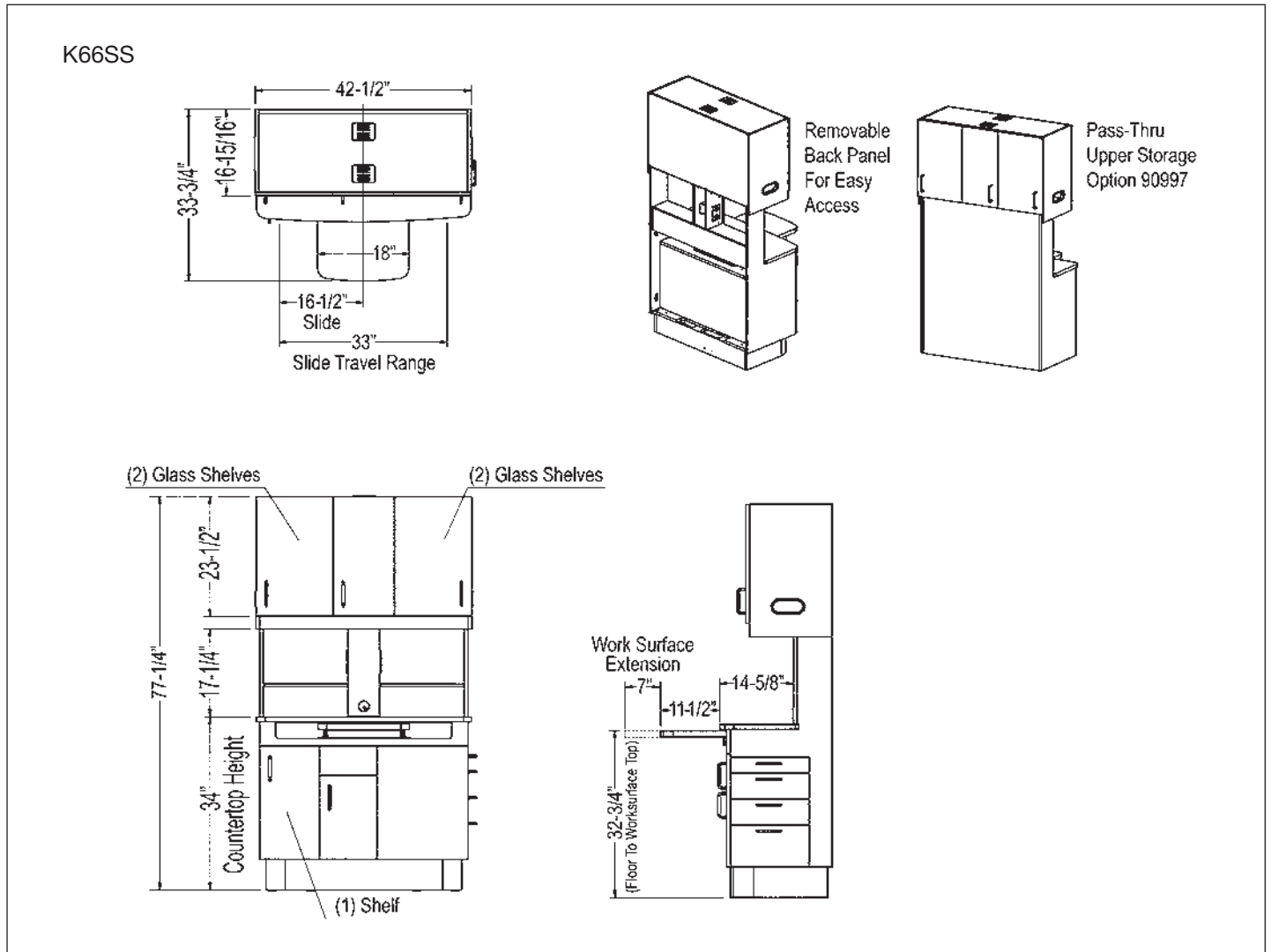
K-SERIES CABINETRY

Dental Cabinetry K-Series

Side Cabinet Dimensions



Rear Treatment Console Dimensions



Flex Series Wall Mounted Dental Cabinetry



Cabinetry Delivery System Components

Model	Description	Retail
EVG3561	EVOGUE Left-Right Doctor's & Assistant's Delivery System	\$6,430
EVG3563	EVOGUE Left-Right Assistant's Instruments	\$4,290
EVG3555	EVOGUE Doctor's Side Delivery System	\$9,210
BDS2571	Assistant's Vacuum Package	\$1,750
Accessory Options		
90174	Air and Water Accessory Panel	\$470

Dental Cabinetry Flex Series Wall Mounted Cabinetry

Model F1LS	\$5,810
Model F1RS	\$5,810



F1RS Doctor's Side Cabinet, Sink Right

Flex Series Space Saving Doctor's Side Cabinets

Model	Description	Retail	
F1LS	Doctor's Side Cabinet (Right Sink)	\$5,810	
F1RS	Doctor's Side Cabinet (Left Sink)		
• Standard Features			
3mm PVC Edging on Doors			•
Soft Close Doors			•
Snap-On European Concealed Hinges			•
Stainless Steel Handles/Pulls			•
Undermount Stainless Steel Sink & Hardware			•
Manual Faucet with Knee-Activated TapMaster™			•
Soap Dispenser			•
Grommet with Waste Basket			•
End Storage Compartment with (1) Adjustable Shelf			•
Manual Faucet with Knee-Activated Tapmaster™			•
Standard Belmont Laminate Exteriors with White Interiors			•
LX Hausys HI-MACS™ Countertop			•
Stainless Steel Covered Marine Plywood Base with Leveling Feet (Unfinished Back)			•
Space for Side Mounted Side Delivery System			•

▪ Options

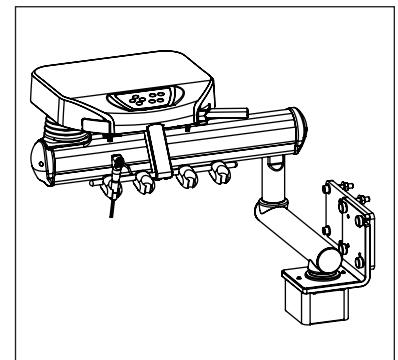
93170	Upper Storage for Trays/Cassettes	\$670	▪
93199	No Base for Sink Area	(\$100)	▪
93700	Mobile Cart	\$1,430	▪
92994	Upgrade To Soft Close Drawer (Per Drawer). Option for 93700 Cart	\$190	
▪ Delivery Systems Option			
EVG3555	EVOGUE Doctor's Side Delivery System	\$9,210	▪



93700 Mobile Cart Option



93170 Wall Mounted Upper Storage Option



EVG3555 Side Mounted Delivery System

Dental Cabinetry Flex Series Wall Mounted Cabinetry

Model F3LNS	\$5,090
Model F3RNS	\$5,090



F3RNS Shown

Model F3T2RS	\$6,750
Model F3T2LS	\$6,750



F3T2RS Shown

Model F3T1RS	\$5,540
Model F3T1LS	\$5,540



F3T1RS Shown

Flex Series Space Saving Assistant's Side Cabinets

Model	Description	Retail
F3LNS	Assistant's Side Console, No Sink (Left)	\$5,090
F3RNS	Assistant's Side Console, No Sink (Right)	
F3T2RS	Assistant's Side Console, Long, (Right Sink)	\$6,750
F3T2LS	Assistant's Side Console, Long, (Left Sink)	
F3T1RS	Assistant's Side Console, Short, (Right Sink)	\$5,540
F3T1LS	Assistant's Side Console, Short, (Left Sink)	

• Standard Features

3mm PVC Edging on Doors				
Soft Close Doors				
Snap-On European Concealed Hinges				
Stainless Steel Handles/Pulls				
Undermount Stainless Steel Sink & Hardware				
Manual Faucet with Knee-Activated TapMaster™				
Soap Dispenser				
Trash Chute with Waste Basket				
Storage Compartment with (1) Adjustable Shelf				
(2) Tip Out Bins with 6 Bins				
100-Pound Unigrass Drawer Slides				
(5) Side Access Drawers				
Standard Belmont Laminate Exteriors with White Interiors				
LX Hausys HI-MACS™ Countertop				
Stainless Steel Covered Marine Plywood Base with Leveling Feet (Unfinished Back)				

▪ Options

90994	Motion Activated Door Light Kit	\$180			
93960	Barrier Drawer System	\$420			
91806	Undermount Large Sharps Container	\$600			
93700	Mobile Cart	\$1,430			
92994	Upgrade To Soft Close Drawer (Per Drawer). Option for 93700 Cart	\$190			
93270	Doored Storage with 5 Glass Shelves for Trays/Cassettes and 1 Drawer.	\$580			
93374	Doored Storage with 7 Glass Shelves for Trays/Cassettes and 1 Drawer.	\$720			
93170	Upper Storage for Trays/Cassettes	\$670			



93960 Barrier Drawer System



93270 Doored Storage with 5 Glass Shelves for Trays/Cassettes and 1 Drawer.



93170 Upper Storage for Trays/Cassettes

FLEX SERIES WALL MOUNTED CABINETRY

Dental Cabinetry Flex Series Wall Mounted Cabinetry

Model F4R	\$24,820
Model F4L	\$24,820



F4R Split Entry Console Assistant's Side Shown



F4R Split Entry Console Doctor's Side Shown

Flex Series Space Saving Assistant's Side Cabinets

Model	Description	Retail
F4R	FLEX Split Entry Console Assistant's Section (Right Facing)	\$24,820
F4L	FLEX Split Entry Console Doctor's Section (Left Facing)	

• Standard Features

3mm PVC Edging on Doors	•
Soft Close Doors	•
Snap-On European Concealed Hinges	•
Stainless Steel Handles/Pulls	•
100-pound Unigrass® Drawer Slides	•
Snap on Concealed European hinges	•
2-Way Sliding Work Surface	•
Assistant's Side (2) 5 1/2" Drawers, (1) 7 1/2" Equipment Pullout	•
Doctor's Side (4) 5 1/2" Drawers	•
Lower Pass-Thru Doored Storage with (1) Adjustable Shelf	•
Upper Pass Thru Doored Storage with Windows and (5) Tempered Glass Shelves	•
Upper Pass Thru Doored Storage with (1) Adjustable Shelf	•
Dual Glove Dispenser Accessible from Both Sides In Mid-Section	•
Upper Dispenser with Cup & Towel Dispenser	•
Undermount Stainless Steel Sink & Hardware	•
Manual Faucet with Kick Pedal TapMaster™	•
Soap Dispenser	•
Grommet with Waste Basket	•
X-Ray Mount Support Column (Specify X-Ray Model)	•
(2) Tip-Out Bins with 6 Bins	•
LX Hausys HI-MACS™ Countertop (Belmont Standard Colors)*	•
Stainless Steel Covered Marine Plywood Base with Leveling Feet	•
Standard Laminate Exterior Colors With White Interiors (Belmont Standard Colors)*	•
Removable Maintenance Panel Access From Both Sides	•

▪ Options

93701	Additional Drawer Module	\$1,020	▪
93702	Alcove Section For Mounting EVG3555 Side Delivery Unit	\$250	▪
93201NH	Factory Installation for Mounting Bel-Nova AL107 (Must purchase AL107 Bel-Nova)	\$1,090	▪
93700	Mobile Cart	\$1,430	▪
92994	Upgrade To Soft Close Drawer (Per Drawer). Option for 93700 Cart	\$190	
▪ Delivery Systems Option			
EVG3555	EVOGUE Doctor's Side Delivery System	\$9,210	▪



93700 Mobile Cart Option



93701 Additional Drawer Module



93702 Alcove Section For Mounting EVG3555 Side Delivery Unit

Dental Cabinetry Flex Series Wall Mounted Cabinetry

Model F66L1

\$5,220



Model F66L2

\$5,890



Model F66U

\$2,150



93700 Mobile Cart Option

Flex Series Space Saving Rear Treatment Console

Model	Description	Retail			
F66L1	T-Shaped Wall Mounted Rear Treatment Console, Lower Section	\$5,220			
F66L2	L-Shaped Wall Mounted Rear Treatment Console, Lower Section	\$5,890			
F66U	Upper Storage Cabinet	\$2,150			
• Standard Features					
3mm PVC Edging on Doors				•	•
Soft Close Doors				•	•
Snap-On European Concealed Hinges				•	•
Stainless Steel Handles/Pulls				•	•
Upper Storage Compartment with (4) Tempered Glass Shelves				•	•
Center Upper Compartment for CPU Storage with Vent Grills				•	•
Under Cabinet Left-Right Sliding Monitor Mount				•	•
Under Cabinet LED Task Lights				•	•
Dual Glove/Tissue Storage				•	•
(4) Way Sliding Countertop In-Out/Left-Right				•	•
Storage Compartment with (1) Adjustable Shelf				•	•
Standard Belmont Laminate Exteriors with White Interiors				•	•
LX Hausys HI-MACS™ Countertop				•	•
Removable Base Access Panel				•	•
Stainless Steel Covered Marine Plywood Base with Leveling Feet				•	•

▪ Options					
90400	USB Charging Duplex Outlet (Requires 93950 Mid-Shelf Section)	\$160		▪	▪
90995	Additional Glass Shelf for Upper Storage	\$50		▪	▪
93951	Open Shelf	\$260		▪	▪
93700	Mobile Cart	\$1,430		▪	▪
92994	Upgrade To Soft Close Drawer (Per Drawer). Option for 93700 Cart	\$190			
93808	Mid-shelf section WITHOUT Tip-Out Bin	\$550		▪	▪
93809	Mid-Shelf with Tip-Out Bin (3 Cubbies)	\$720		▪	▪
93810	Mid-Shelf with Tip-Out Bin (6 Cubbies)	\$750		▪	▪
90994	Motion Activated Door Light Kit	\$180		▪	▪
93938	Vent Grill on Door	\$110		▪	▪
▪ Delivery Systems Options					
EVG3561	EVOGUE Left-Right Dr's. & Asst's. Delivery (Bottled Water Only)	\$6,430		▪	▪
EVG3563	EVOGUE Left-Right Asst's. Instruments Only (Bottled Water Only)	\$4,290		▪	▪



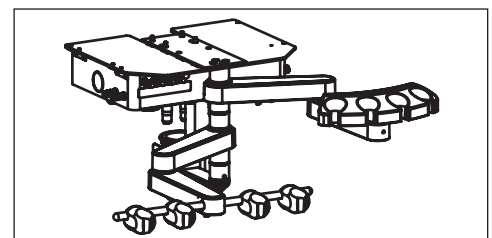
93808 Mid-Shelf Section Option (No Tip-Out Bins)



93809 Mid-Shelf Section Option (with 3 Cubbies)



93810 Mid-Shelf Section Option (with 6 Cubbies)



EVG3561 Doctor's & Assistant's L-R Rear Delivery Unit (EVG3563 Assistant's L-R Instruments also available)

FLEX SERIES WALL MOUNTED CABINETRY

Dental Cabinetry Flex Series Wall Mounted Cabinetry

Model FCT

\$6,220



FCT Consultation Desk
(Monitor Not Included)



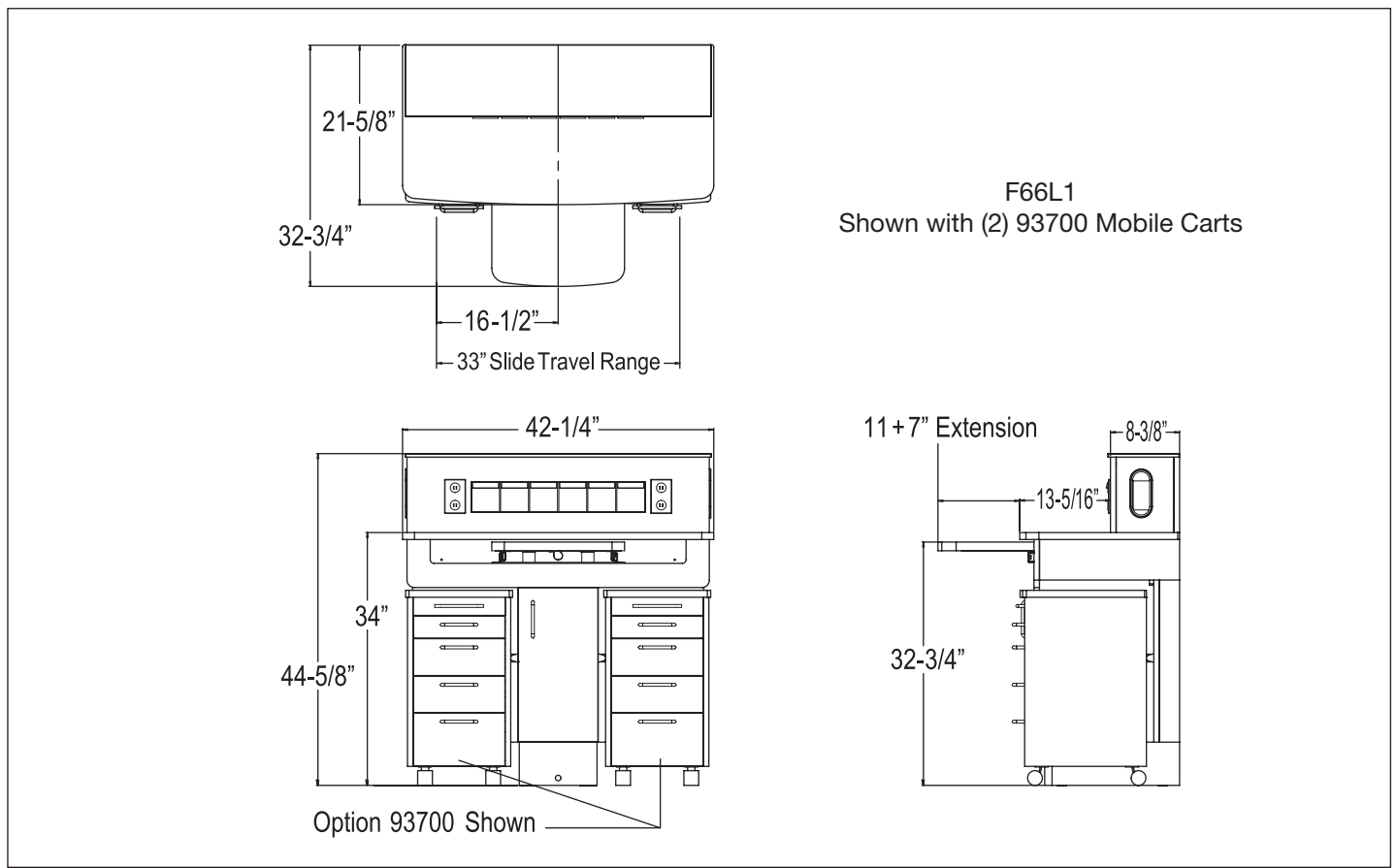
93401 USB Hub with Small Shelf

Flex Series Space Saving Consultation Desk

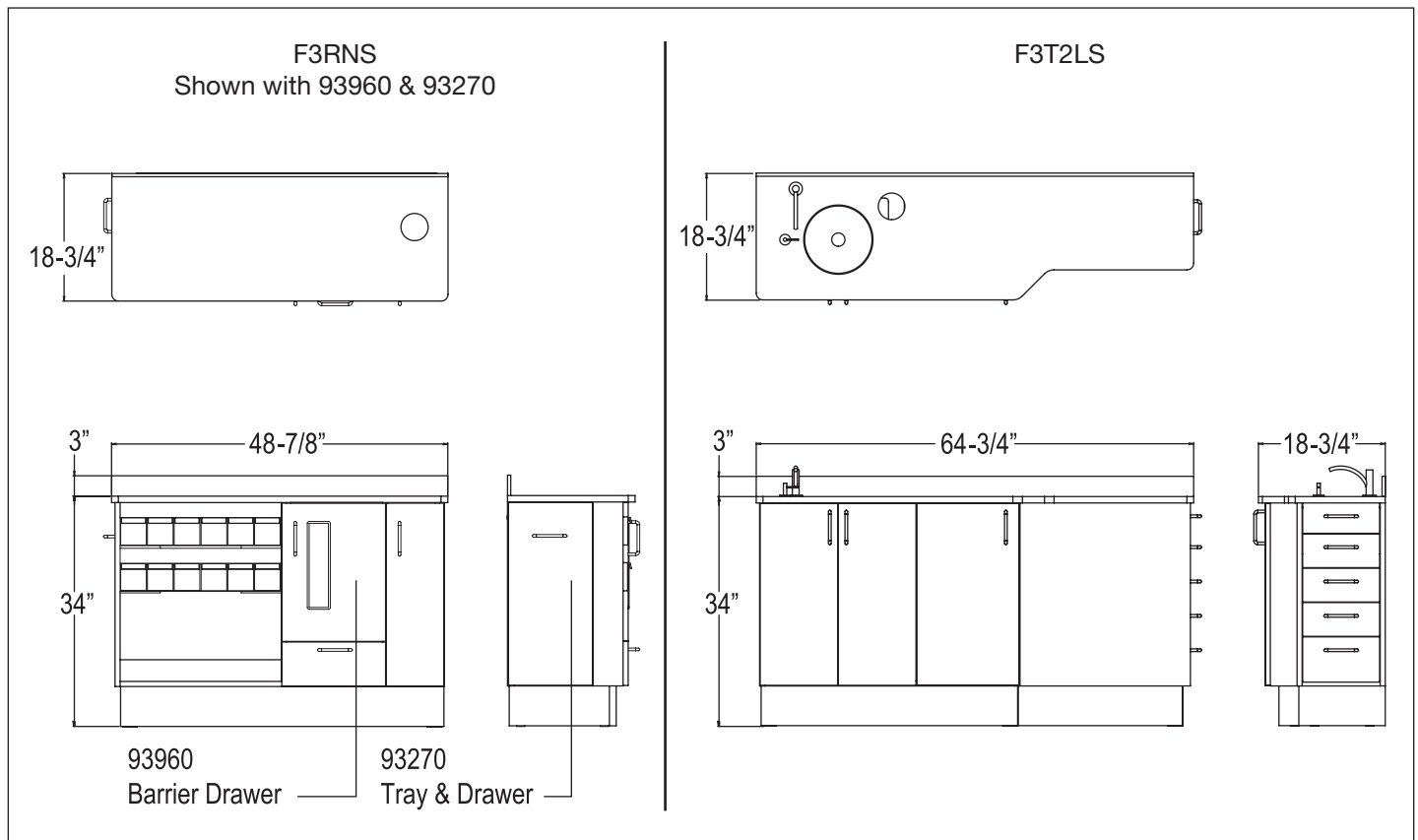
Model	Description	Retail	
FCT	Consultation Desk	\$6,220	
• Standard Features			
	3mm PVC Edging on Doors and Drawer Fronts		•
	Soft Close Doors		•
	Snap-On European Concealed Hinges		•
	Stainless Steel Handles/Pulls		•
	Stainless Steel Drop-In Sink & Hardware		•
	Full Extension Consultation Drawer with (2) Plastic Literature Boxes		•
	2-way Sliding Consultation Table (In/Out)		•
	Grommet with Waste Basket		•
	Monitor Desk Mount Straight Pole (Does Not Include Monitor)		•
	Doored PC Storage with Vent Grills		•
	Standard Belmont Laminate Exteriors with White Interiors		•
	LX Hausys HI-MACS™ Countertop (Belmont Standard Colors)*		•
	Stainless Steel Covered Marine Plywood Base with Leveling Feet (Unfinished Back)		•
▪ Options			
93200	Removal Of Monitor Desk Mount	(\$100)	▪
93201	Removal Of PC Storage	(\$200)	▪
93401	USB Hub with Small Shelf	\$390	▪

Dental Cabinetry Flex Series Wall Mounted Cabinetry

F66L1 Dimensions

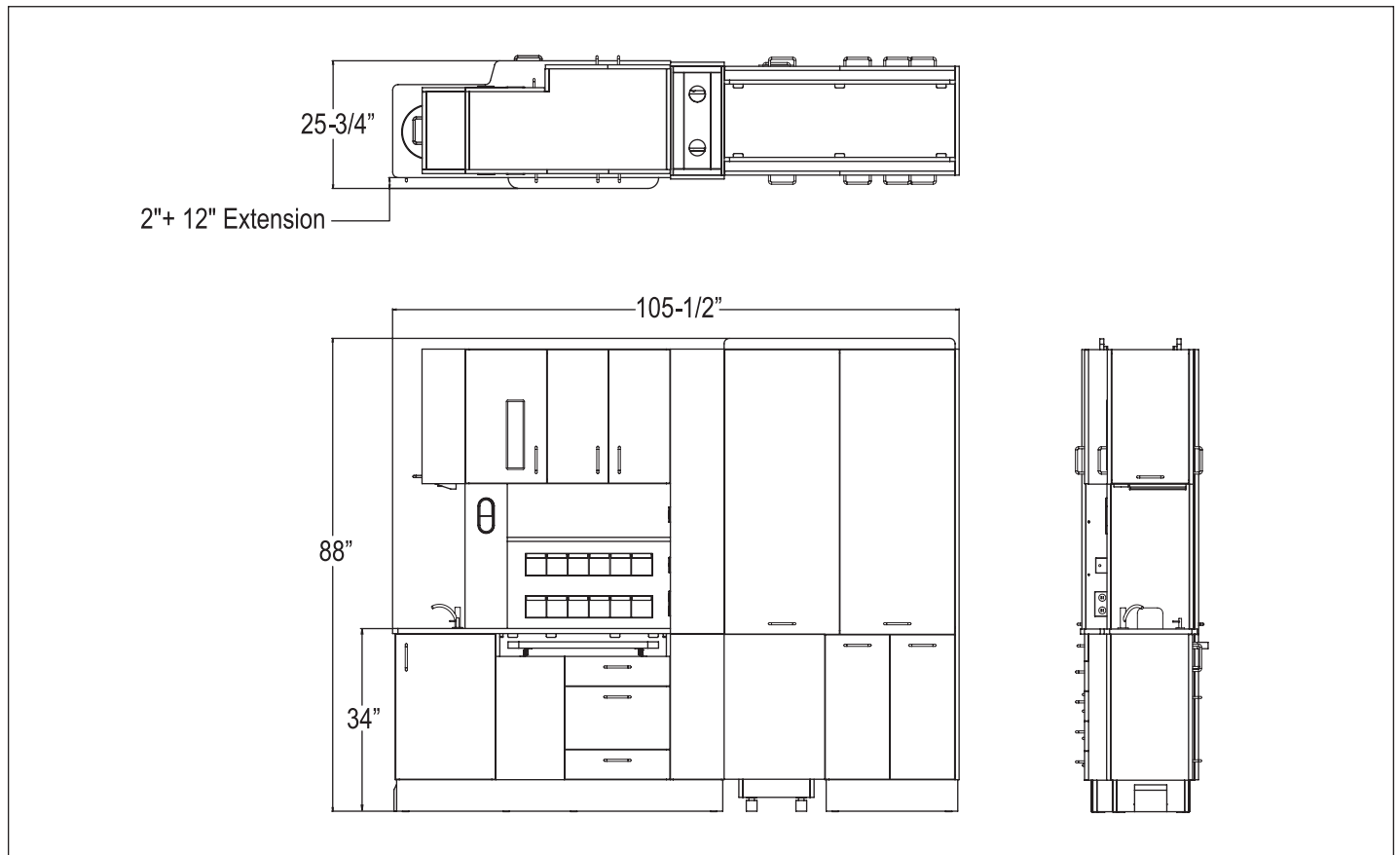


F3RNS & F3T2LS Dimensions

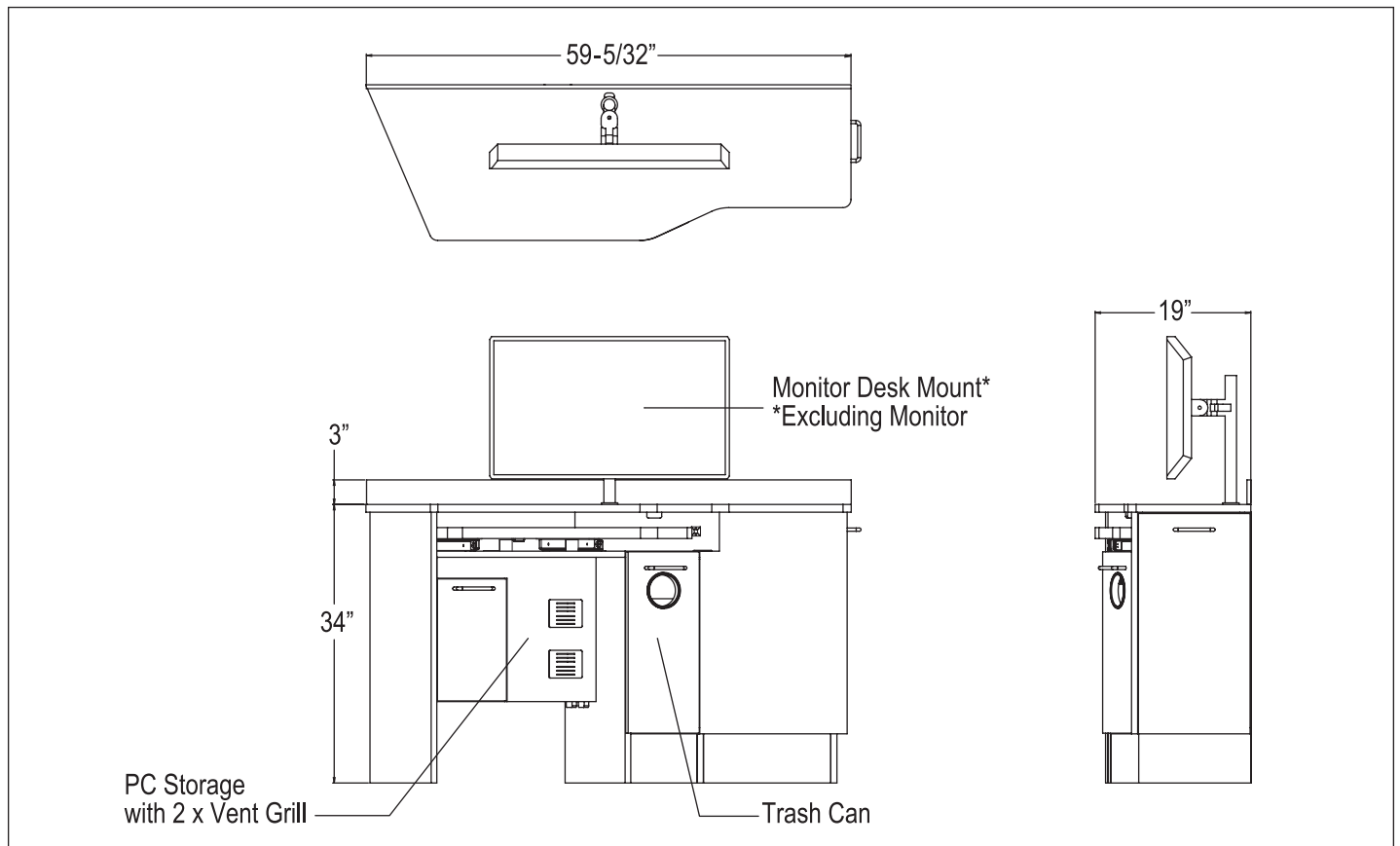


Dental Cabinetry Flex Series Wall Mounted Cabinetry

F4 Dimensions



FCT Dimensions



ECO/Ortho-Sys Dental Cabinetry



Cabinetry Delivery System Components

Model	Description	Retail
EVG3561	EVOGUE Left-Right Doctor's & Assistant's Delivery System	\$6,430
EVG3563	EVOGUE Left-Right Assistant's Instruments	\$4,290
EVG3555	EVOGUE Doctor's Side Delivery System	\$9,210
BDS2571	Assistant's Vacuum Package	\$1,750
Accessory Options		
90174	Air and Water Accessory Panel	\$470

Dental Cabinetry ECO-Sys

Model ECO1RS **\$4,060**



ECO1RS Doctor's Console (Right Sink)

Model ECO1LS **\$4,060**



ECO1LS Doctor's Console (Left Sink)



24" Sink base with Waste Basket



Snap-On Concealed European Hinges

Model	Description	Retail	
ECO1RS	ECO-Sys Doctor's Console (Right Sink)	\$4,060	
ECO1LS	ECO-Sys Doctor's Console (Left Sink)		
• Standard Features			
	3mm PVC Edging on Doors		•
	Standard Horizontal Surface Laminate Work Surface with Drop-In Stainless Steel Sink		•
	Snap-On European Concealed Hinges		•
	Stainless Steel Handles/Pulls		•
	Stainless Steel Drop-In Sink & Hardware		•
	Manual Faucet		•
	Soap Dispenser		•
	Grommet with Waste Basket		•
	Horizontal Surface Laminate		•
	Laminated Marine Plywood Base with Leveling Feet		•
	Space For EVG3555 Cabinet Mounted Side Delivery System (Or ECO-9 Cart)		•
▪ Options			
90606	Tapmaster™ Cabinet Door Activation	\$770	▪
90601	Tapmaster™ Kick Pedal	\$900	▪
90466	Deduction of Sink Package	(\$400)	▪
90992	Stainless Steel Wrapped Toe-Kick	\$410	▪
90962	Upgrade from Horizontal Surface Laminate to LX Hausys HI-Macs® Solid Surface (Select Sink Below)	\$1,670	▪
▪ Sink Options			
90620	Undermount Solid Bowl with Solid Surface Top	\$940	▪
90621	Undermount Stainless Steel Bowl with Solid Surface Top	\$530	▪
▪ Delivery Systems Option			
EVG3555	EVOGUE Doctor's Side Delivery System	\$9,210	▪

Dental Cabinetry ECO-Sys

Model ECO2 **\$2,480**



ECO2 Wall Mount Storage Unit

Model ECO2U **\$1,620**



ECO2U Upper Wall Mount Storage Unit

Model ECO2L **\$1,220**



ECO2L Lower Wall Mount Storage Unit

Model	Description	Retail			
ECO2	ECO-Sys Wall Mount Storage Unit	\$2,480			
ECO2U	ECO-Sys Upper Wall Mount Storage Unit	\$1,620			
ECO2L	ECO-Sys Lower Wall Mount Storage Unit	\$1,220			
• Standard Features					
3mm PVC Edging on Doors				•	•
Snap-On European Concealed Hinges				•	•
Stainless Steel Handles/Pulls				•	•
Upper Storage with (4) Adjustable Shelves				•	•
Dual Glove/Tissue Dispenser On The Door				•	•
Cup Dispenser				•	•
Towel Dispenser				•	•
Laminate Countertop (ECO-2L Only)				•	•
Quick Installation Cabinet Suspension Fittings				•	•
▪ Options					
90964	ECO2L Upgrade from Horizontal Surface Laminate to LX Hi-Macs® Solid Surface	\$450		▪	
90283	Additional Adjustable Shelf (Upper Can Hold Up to 8 Total Shelves)	\$40		▪	▪

Dental Cabinetry ECO-Sys

Model ECO3RS **\$4,800**



ECO3RS Assistant's Console (Right Sink)

Model ECO3LS **\$4,800**



ECO3LS Assistant's Console (Left Sink)



11" Wide Storage Area with Adjustable Shelf



24" Sink Base with Waste Basket

Model	Description	Retail	
ECO3RS	ECO-Sys Assistant's Console (Right Sink)	\$4,800	
ECO3LS	ECO-Sys Assistant's Console (Left Sink)		
• Standard Features			
	3mm PVC Edging on Doors/Drawer Fronts		•
	Snap-On European Concealed Hinges		•
	Stainless Steel Handles/Pulls		•
	100-Pound Unigrass® Drawer Slides		•
	(2) 5 ¼" Drawers, and (2) 6 ¾" Drawers		•
	Stainless Steel Drop-In Sink & Hardware		•
	Manual Faucet		•
	Soap Dispenser		•
	Grommet with Waste Basket		•
	Horizontal Surface Laminate		•
	Laminated Marine Plywood Base with Leveling Feet		•
▪ Options			
90606	Tapmaster™ Cabinet Door Activation	\$770	▪
90601	Tapmaster™ Kick Pedal	\$900	▪
91806	Undermount Large Sharps Container	\$600	▪
90466	Deduction of Sink Package	(\$400)	▪
90992	Stainless Steel Wrapped Toe-Kick	\$410	▪
90967	Upgrade from Horizontal Surface Laminate to LX Hausys HI-Macs® Solid Surface	\$1,600	▪
▪ Sink Options			
90620	Undermount Solid Bowl with Solid Surface Top	\$940	▪
90621	Undermount Stainless Steel Bowl with Solid Surface Top	\$530	▪

Dental Cabinetry ECO-Sys

Model ECO6

\$7,440



ECO6 Rear Treatment Console

Model ECO6L

\$6,050



ECO6L Lower Rear Treatment Console

Model	Description	Retail		
ECO6	ECO-Sys Rear Treatment Console	\$7,440		
ECO6L	ECO-Sys Lower Rear Treatment Console	\$6,050		
• Standard Features				
	3mm PVC Edging on Doors/Drawers			• •
	Snap-On European Concealed Hinges			• •
	Stainless Steel Handles/Pulls			• •
	Upper (2) Door Storage Area with (8) Adjustable Shelves			• •
	LED Task Lighting			• •
	Clock Timer			• •
	(1) Duplex Outlet			• •
	100-Pound Unigrass® Drawer Slides			• •
	(2) 4" Drawers, and (2) 7" Drawers out of the Right Side			• •
	Horizontal Surface Laminate Countertop and In/Out Sliding Top			• •
	Lower Left Front Storage Door with (1) Adjustable Shelf			• •
	Laminated Marine Plywood Base with Leveling Feet			• •
	Left Or Right Hand Modules Available (Specify When Ordering)			• •
▪ Options				
90955	Mid Section Cut-Out for BDS2571	No Charge w/Cabinet		• •
90950	Mid Section Control Box	\$460		• •
90140	Cut-Out for Analgesia (Specify Equipment)	\$80		• •
90240	Pass-Thru Upper Storage	\$350		• •
90938	Vent Grills on Lower Door	\$110		• •
90992	Stainless Steel Wrapped Toe-Kick	\$410		• •
91949	Under Cabinet Left to Right Sliding Flat Panel Monitor (24" max) Mount	\$940		• •
90401	Cabinet Mounted USB Hub	\$390		• •
90972	ECO6 Upgrade from Horizontal Surface Laminate to LX Hausys HI-Macs® Solid Surface Top and Sliding Surface	\$1,970		• •
90973	ECO6L Upgrade from Horizontal Surface Laminate to LX Hausys HI-Macs® Solid Surface Top and Sliding Surface	\$2,210		• •
90400	USB Charging Duplex Outlet (Specify Location on Drawing when Ordering)	\$160		• •
▪ Delivery Systems Options				
EVG3561	EVOGUE Left-Right Doctor's & Assistant's Delivery (Bottled Water System Only)	\$6,430		• •
EVG3563	EVOGUE Left-Right Assistant's Instruments Only (Bottled Water System Only)	\$4,290		• •
BDS2571	Assistant's Vacuum Package (Water Bottle not included)	\$1,750		• •
90-175KIT	Additional HVE with Hose for BDS2571	\$185		• •
90055	Bottle Water System for Vertical and Horizontal Mounting Surfaces	\$530		• •



Upper Console Showing 36" Wide Storage with 8 Adjustable Shelves



Lower Console Showing Lower Storage Area and Easy Accessible Side Drawers

Dental Cabinetry ECO-Sys

Model ECO8

\$2,700



ECO8 Sink Unit

Model	Description	Retail	
ECO8	Sink Unit	\$2,700	
• Standard Features			
	3mm PVC Edging on Doors		•
	Snap-On European Concealed Hinges		•
	Stainless Steel Handles/Pulls		•
	Stainless Steel Drop-In Sink & Hardware		•
	Manual Faucet		•
	Soap Dispenser		•
	Grommet with Waste Basket		•
	Horizontal Surface Laminate		•
	Laminated Marine Plywood Base with Leveling Feet		•
▪ Options			
90606	Tapmaster™ Cabinet Door Activation with Manual Faucet	\$770	▪
90601	Tapmaster™ Kick Pedal with Manual Faucet	\$900	▪
90466	Deduction of Sink Package	(\$400)	▪
90992	Stainless Steel Wrapped Toe-Kick	\$410	▪
90482	Upgrade from Horizontal Surface Laminate to LX Hi-Macs Solid Surface (Select Sink Below)	\$680	▪
▪ Sink Options			
90620	Undermount Solid Bowl with Solid Surface	\$940	▪
90621	Undermount Stainless Steel Bowl with Solid Surface	\$530	▪

Dental Cabinetry ECO-Sys

Model ECO9

\$1,570



ECO9 Mobile Cart with Left-to-Right Sliding Surface

Model	Description	Retail			
ECO9	Mobile Cart with Left-to-Right Sliding Surface	\$1,570			
ECO9F2B	Mobile Cart with Front-to-Back Sliding Surface	\$1,570			
ECO9SD	Mobile Cart with (5) Storage Drawers	\$1,640			
• Standard Features					
3mm PVC Edging on Drawer Fronts			•	•	•
Stainless Steel Handles			•	•	•
Left-to-Right Sliding Surface Reveals a 9" Storage Bin (ECO9)					•
Front-to-Back Sliding Surface Reveals a 9" Storage Bin (ECO9F2B)				•	
Electrical Access Grommet Under Storage Bin (ECO9 & ECO9F2B Only)				•	•
100-Pound Unigrass® Drawer System with (1) 2", (1) 4" & (1) 7" Drawers (ECO9 & ECO9F2B Only)				•	•
100-Pound Unigrass® Drawer System with (4) 4-1/2" & (1) 9" Drawers (ECO9SD Only)			•		
Horizontal Surface Laminate Top			•	•	•
180 Degree Swivel Casters			•	•	•

▪ Options

90977	Upgrade from Horizontal Surface Laminate to LX Hausys HI-Macs® Solid Surface	\$520	▪	▪	▪
-------	--	-------	---	---	---

Model ECO9F2B

\$1,570



ECO9F2B Mobile Cart with Front-to-Back Sliding Surface



9" Storage Bin Below Left/Right ECO9 Sliding Work Surface

Model ECO9SD

\$1,640



ECO9SD Mobile Cart with (5) Storage Drawers



The ECO9 Can be Conveniently Nested Within the ECO1 Storage Bay

Dental Cabinetry ORTHO-Sys

Model OC200

\$3,770



OC200 Mobile Cart

Model	Description	Retail	
OC200	Orthodontic Mobile Cart	\$3,770	
• Standard Features			
3mm PVC Edging on Door/Drawer Fronts			•
Stainless Steel Handles			•
Storage Area For Small Form PC			•
100-pound Unigrass® Drawer Slides			•
(1) 6 ½" Drawer, (3) 4" Drawers, (1) 3 ½" Drawer			•
180 Degree Swivel Casters			•
Horizontal Surface Laminate Top			•
Left-Handed Version Available, Specify when Ordering			•
▪ Options			
91938	(2) Small Vent Grills on Storage Door	\$110	▪
90942	Fully Adjustable Swivel Arm LCD Monitor Mount	\$750	▪
90990	2" Wire Grommet in Work Surface	\$60	▪
90991	Duplex Outlet (Not Wired)	\$40	▪
90341	Stationary Base with no Casters	No Charge w/ Cart	▪
90987	Upgrade from Horizontal Surface Laminate to LX Hausys Hi-Macs® Solid Surface	\$1,280	▪

Dental Cabinetry ORTHO-Sys

Model OC400

\$4,420

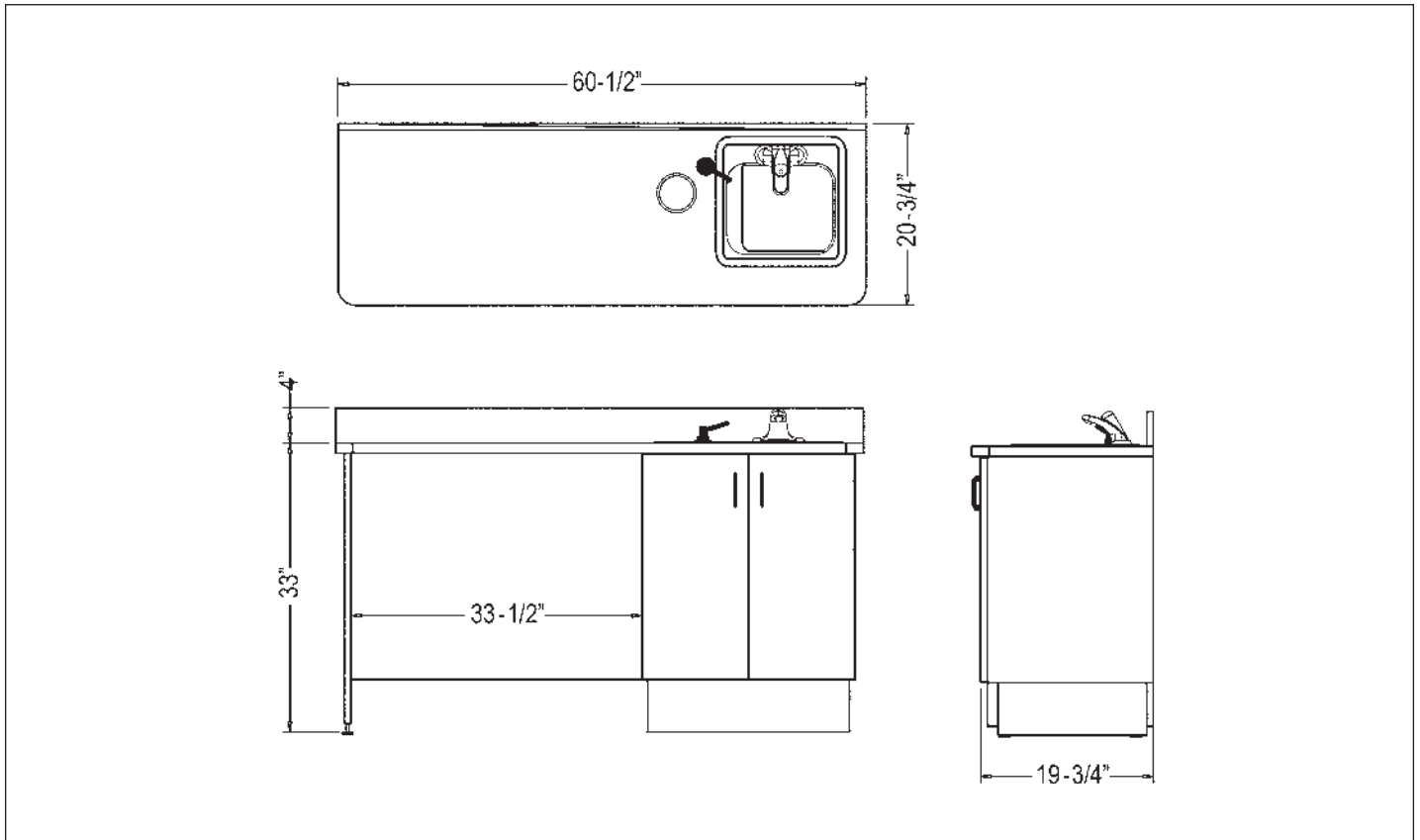


OC400 Mobile Cart

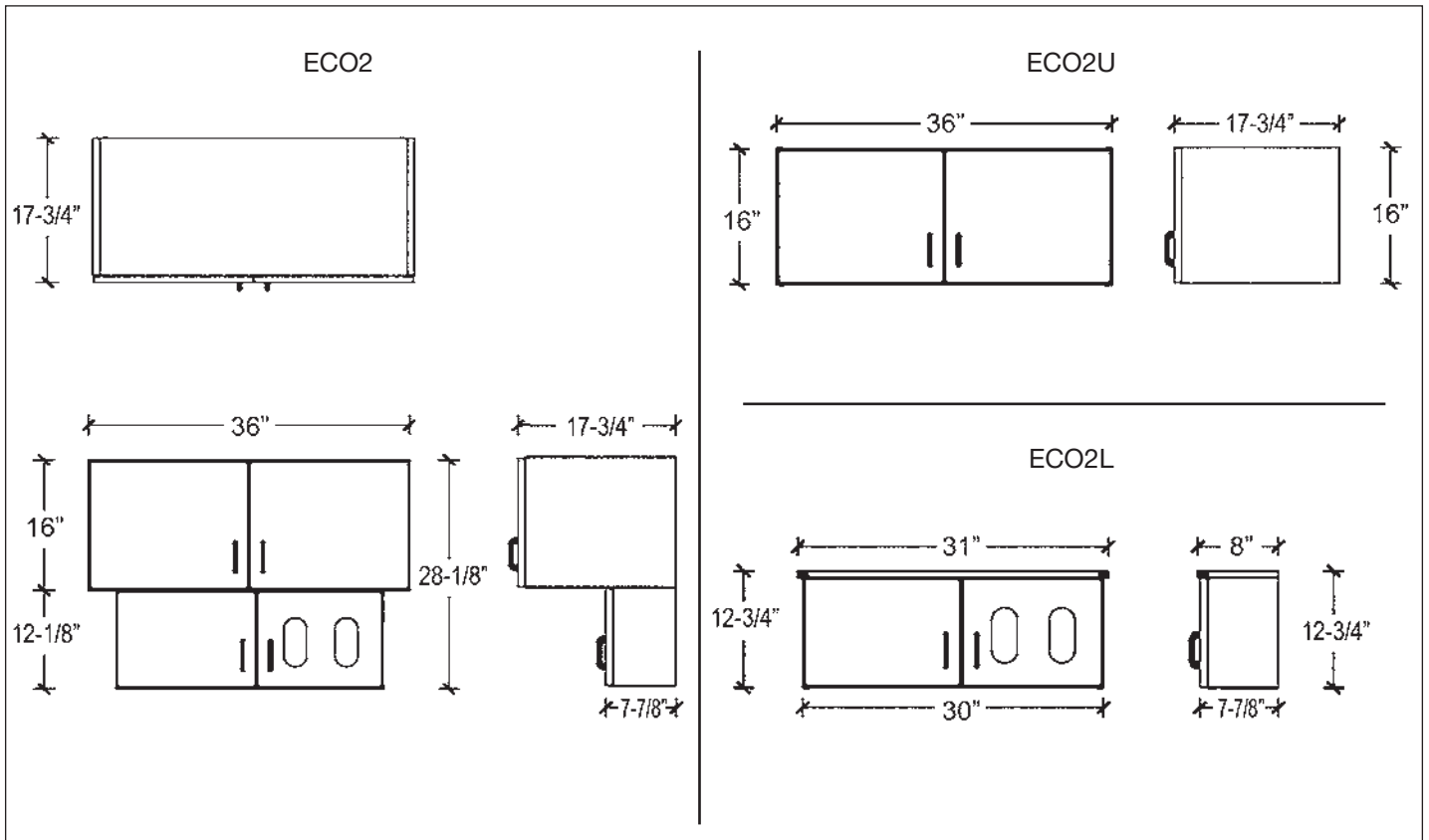
Model	Description	Retail	
OC400	Orthodontic Mobile Cart	\$4,420	
• Standard Features			
	3mm PVC Edging on Door/Drawer Fronts		•
	Stainless Steel Handles		•
	Storage Area For Small Form PC		•
	100-pound Unigrass® Drawer Slides		•
	Slide Out Mini Keyboard Tray		•
	(1) 6" Drawer, (3) 4" Drawers, (1) 3 1/4" Drawer		•
	180 Degree Swivel Casters		•
	Duplex Outlet (Not Wired)		•
	Horizontal Surface Laminate Top		•
	2" Wire Grommet In Work Surface		•
	Left-Handed Version Available, Specify when Ordering		•
▪ Options			
90942	Fully adjustable Swivel Arm LCD Monitor Mount (Covers Existing 2" Grommet in Work Surface)	\$750	▪
90938	(2) Small Vent Grills on Storage Door	\$110	▪
90341	Stationary Base with no Casters	No Charge w/ Cart	▪
90988	Upgrade from Horizontal Surface Laminate to LX Hausys Hi-Macs® Solid Surface	\$1,350	▪

Dental Cabinetry ECO-Sys

ECO1 Dimensions

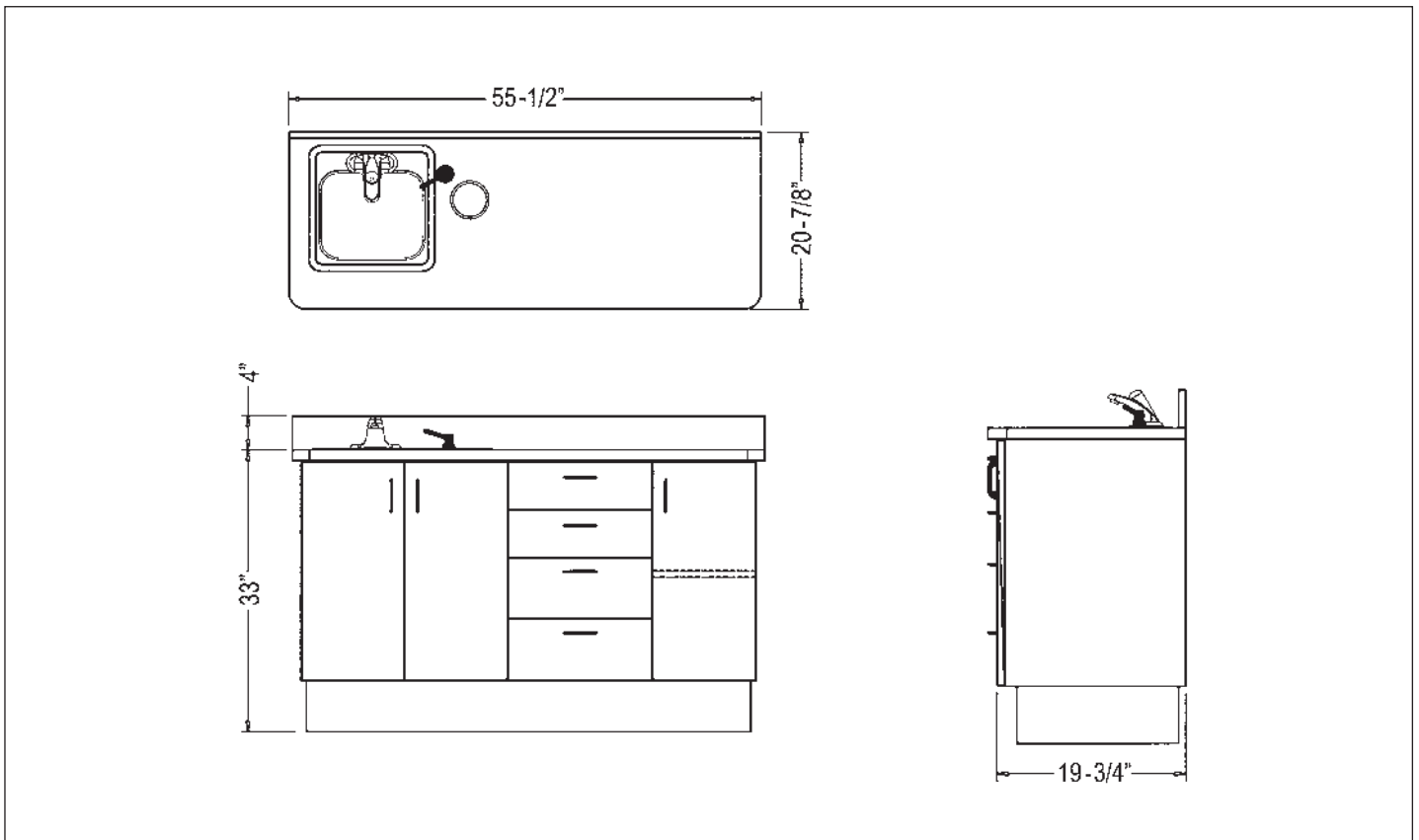


ECO2, ECO2U & ECO2L Dimensions

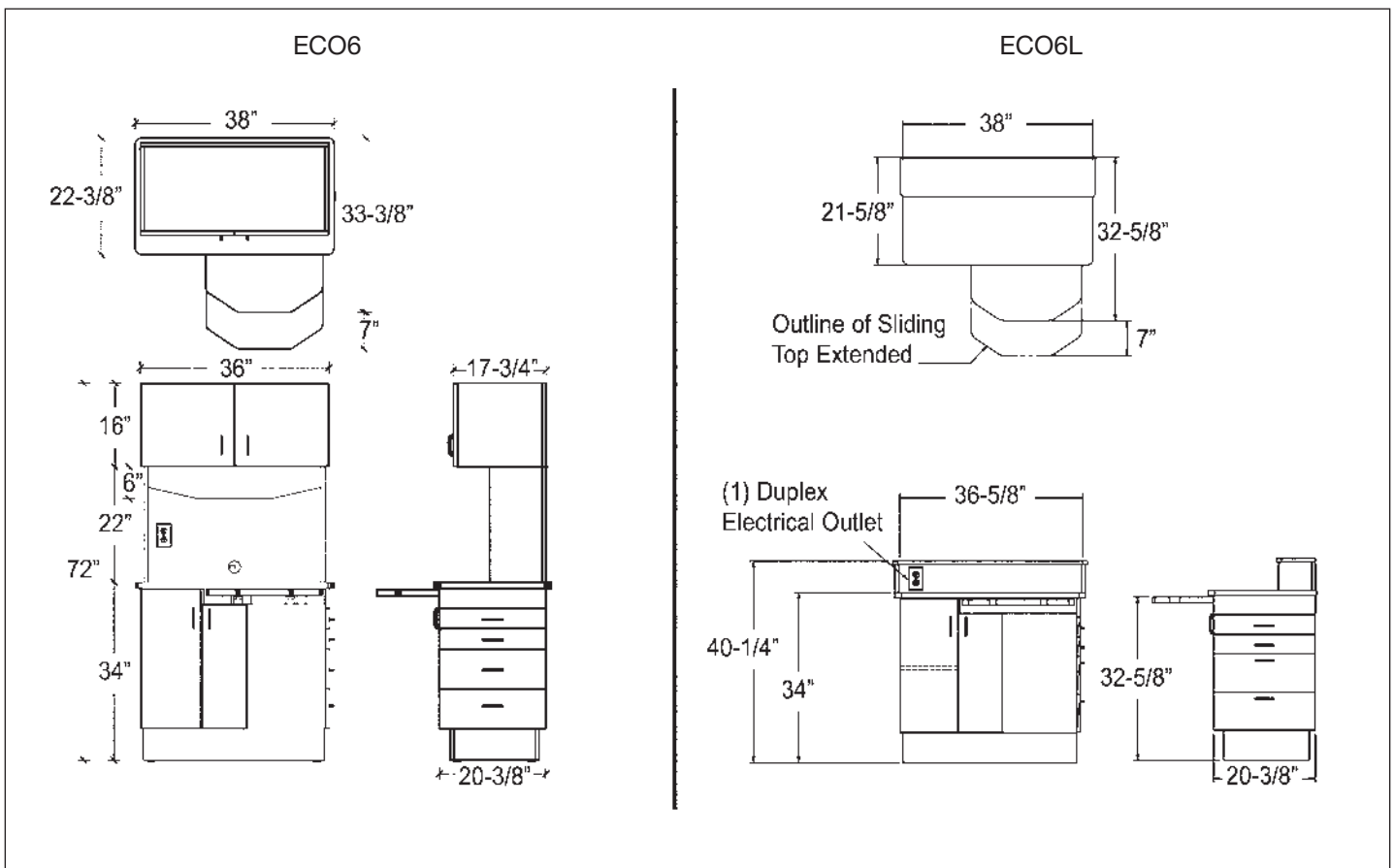


Dental Cabinetry ECO-Sys

ECO3 Dimensions

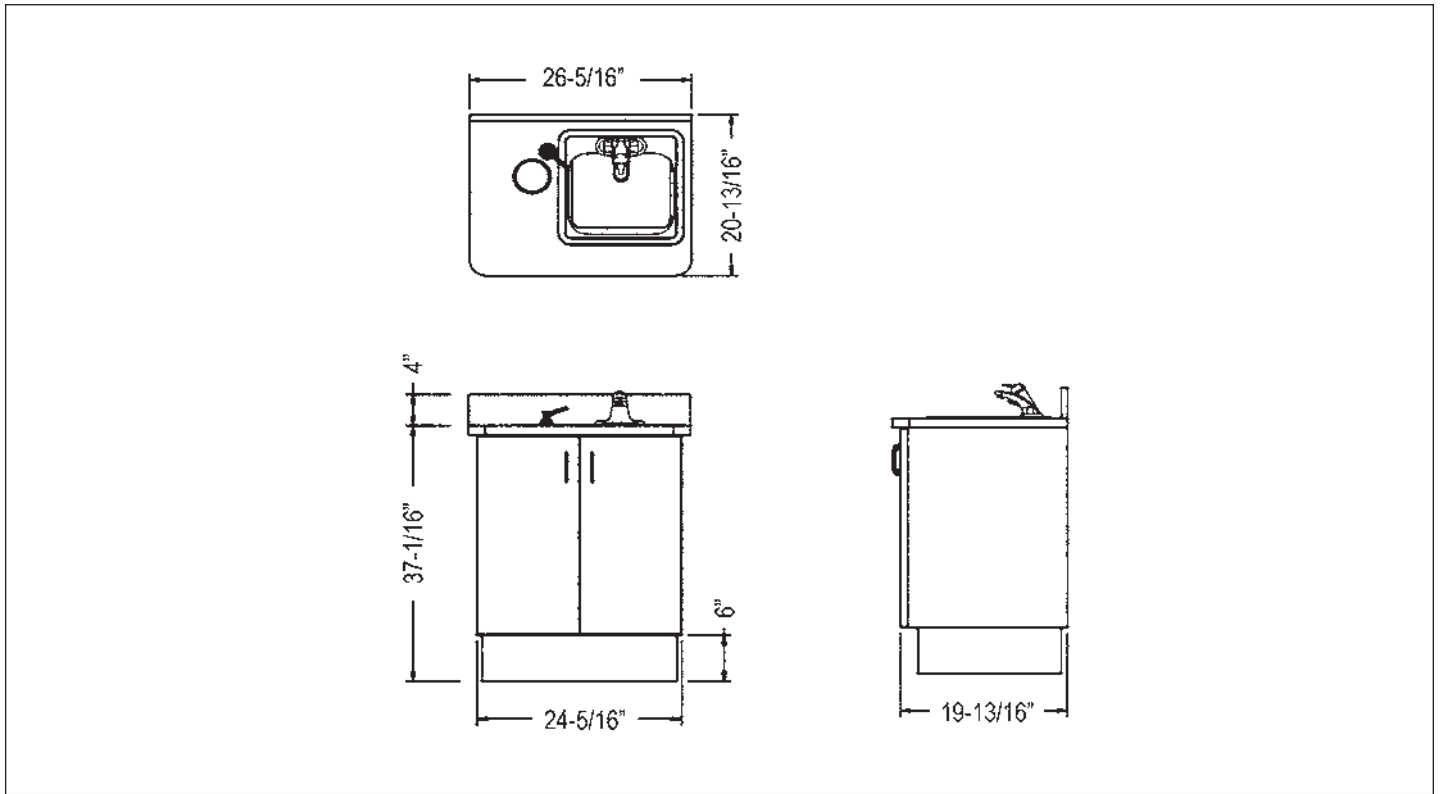


ECO6 & ECO6L Dimensions

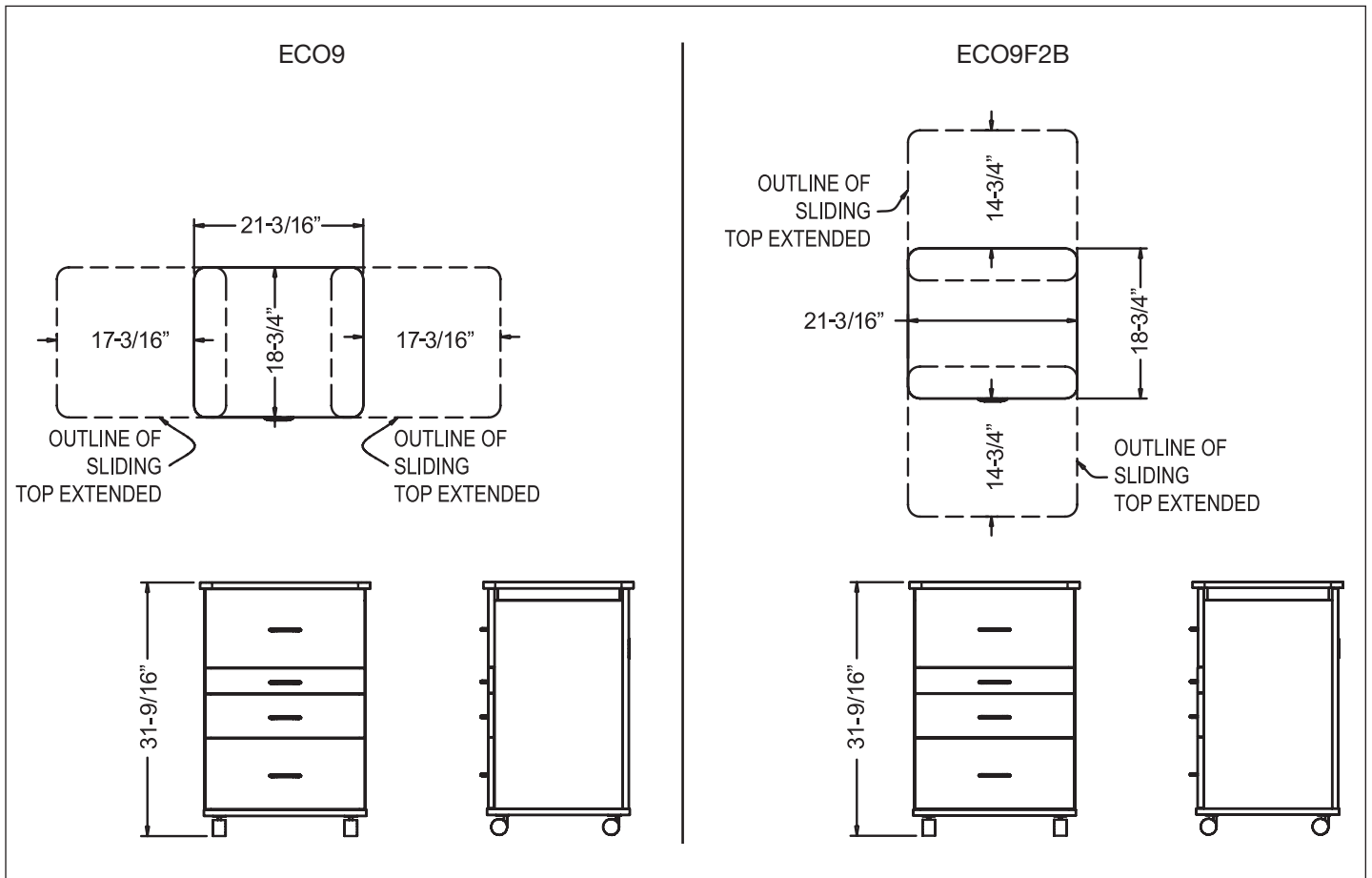


Dental Cabinetry ECO-Sys

ECO8 Dimensions

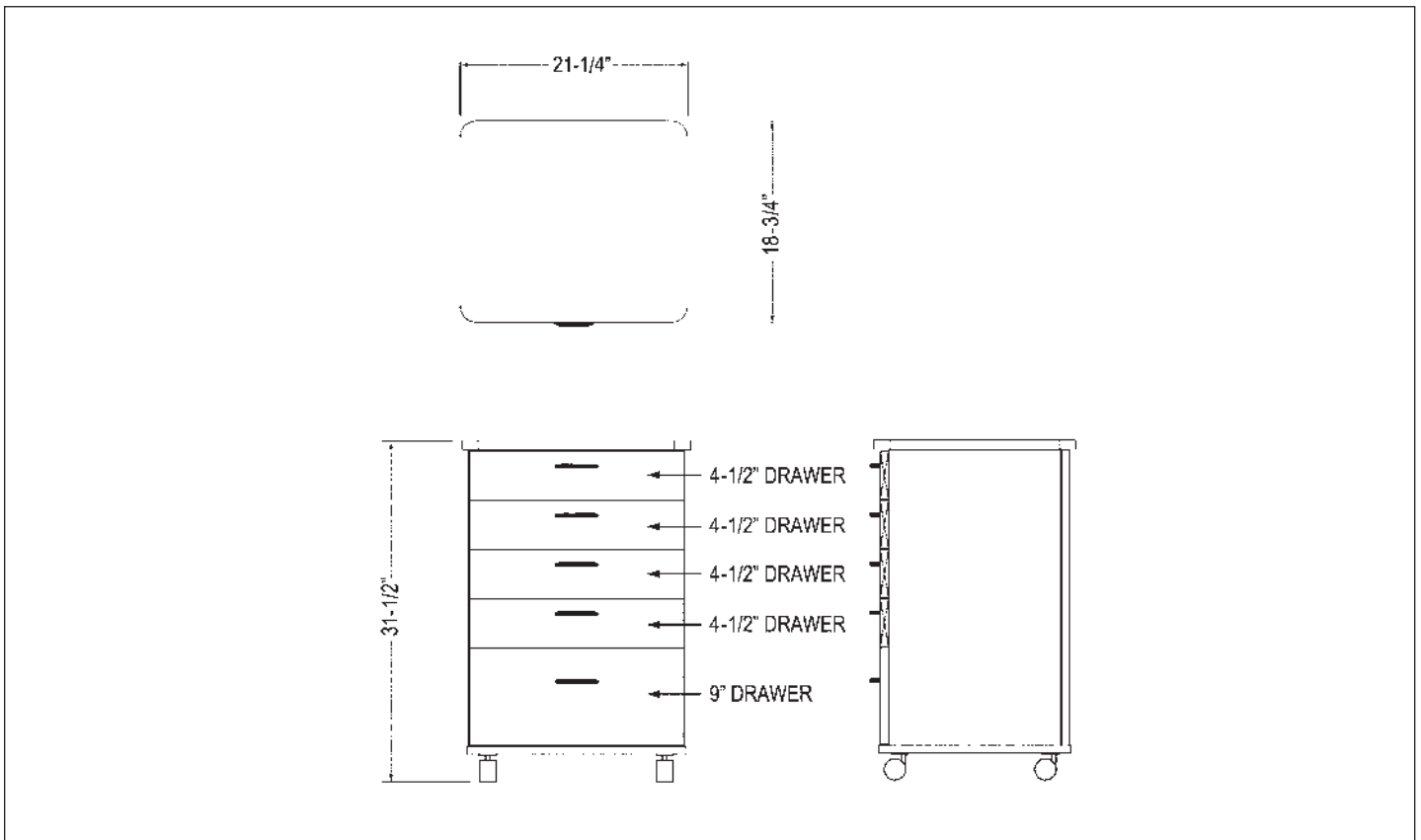


ECO9 & ECO9F2B Dimensions

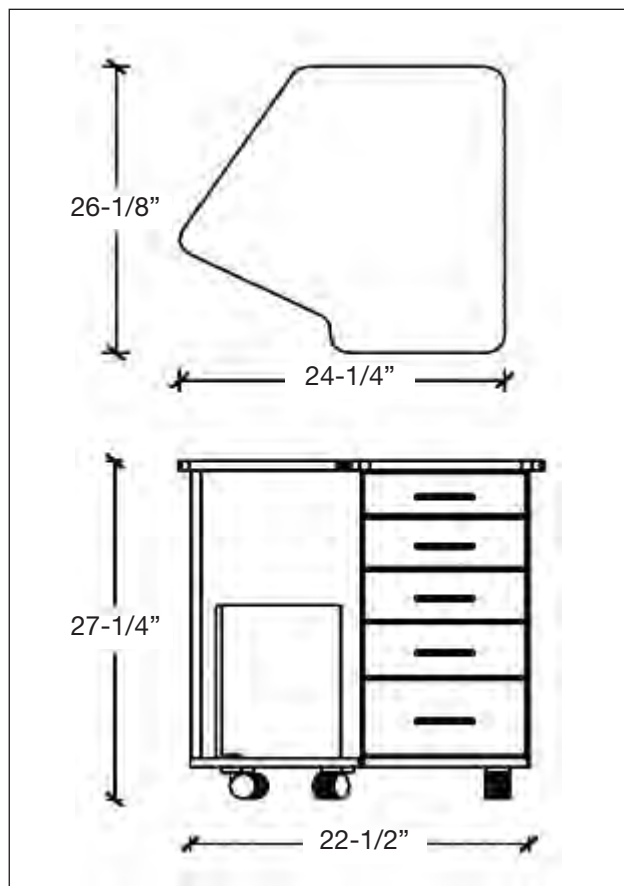


Dental Cabinetry ECO/ORTHO-Sys

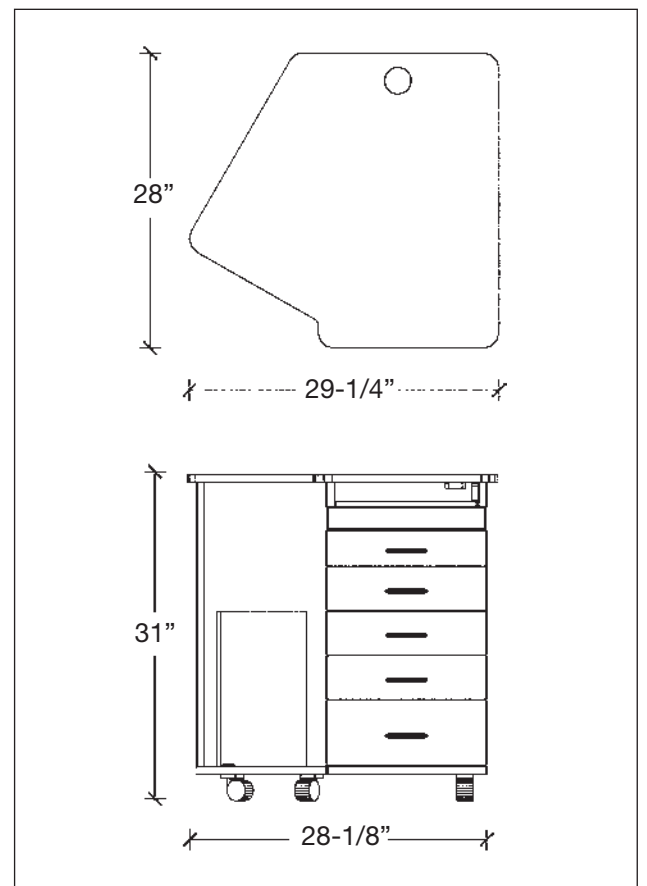
ECO9SD Dimensions



OC200 Dimensions



OC400 Dimensions



Cabinetry



D4



D66CM



K66SS



OC400



ECO6



F66L2

Sterilization Centers



Customizable Solutions for Your Unique Design Needs

Koken has been hand crafting cabinetry for the Beauty and Dental Industry for over 100 years here in America's Heartland. Our craftsmen have been fabricating cabinetry with highest of standards for an average of 25 years each. At Koken we only use the highest quality materials available in manufacturing your cabinets to ensure that they will stand the test of vigorous daily needs. We continue to lead the industry in inovative solutions.

Please contact a Belmont Representative who will carefully guide you through our design resources leading you to a unique solution to your sterilization center, lab or other unique design needs.

Customizable Sterilization Centers

Standard Cabinet Offerings

- 3mm PVC Edging on Doors
- Snap-On European Concealed Hinges
- Stainless Steel Handles/Pulls
- Stainless Steel Drop-In Sink & Hardware
- Manual Faucet with Foot Activated TapMaster™
- Soap Dispenser
- 100-Pound Unigrass Drawer Slides
- Trash and Sharps Container
- LED Red/Blue Light Uper For Dirty/Clean Storage
- LX HI-MACS® Drip Pans In Autoclave Tower
- Two Duplex Outlets (GFCI) in Sterilizer Sections



Blue Light Storage Tower



LED Red/Blue Lit Upper for Dirty/Clean Instrument Storage



LG Drip Pans



Snap-On Concealed European Soft Close Hinges



Retractable Footstep



Tapmaster™ Kick Pedal

Customizable Sterilization Centers

Various Options For Customizing Your Sterilization Center, Lab or other Modular Area

- LX HI-MACS® Solid Surface Counter Tops
- Cambria™ Quartz Counter Tops
- 12" Tall Gooseneck Faucet
- Undermount Stainless Steel Sink for Cambria™ or LX HI-Macs® Solid Surface Only
- Telescopic Faucet
- HVE with Hose and Hose Guide for Sterilization Center
- Knee Activated Trash & Sharps Drawer
- Finished Shaped End Panel
- LED Under Cabinet Task Lighting
- Upgrade from Laminate Upper Doors to Frosted Glass Framed Door (Per Door)
- LED Upper in Cabinet Lighting
- Upgrade to Soft Close Drawers (Per Drawer)
- Stainless Steel Backsplash (96" x 24") Per Panel
- GFCI Outlet Cutout in Stainless Steel Backsplash (Per Outlet Cutout)
- Wall Hung 30" Glass Shelf
- Wall Hung 10" Glass (3) Shelf Unit



Slide-Out Autoclave Shelf



Knee Activated Trash & Sharps Drawer



Blue Lit Upper for Dirty/Clean Instrument Storage



Cambria™ Top



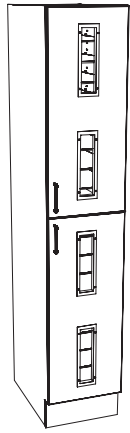
Gooseneck Faucet



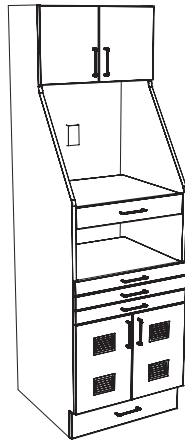
Blum Tandem Box

Customizable Sterilization Centers

Sample of all Tower Cabinets

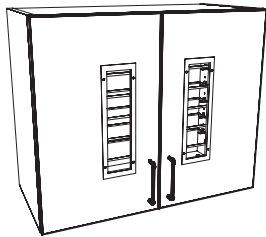


TTBA \$2,670

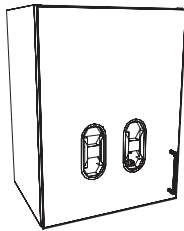


ACSA \$4,760

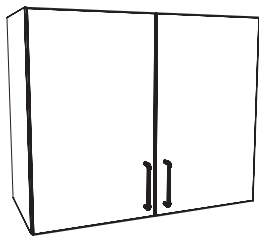
Sample Of Upper Cabinets



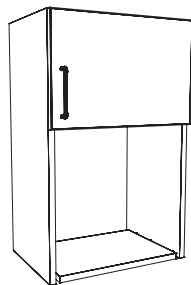
SMUAW29 \$1,900



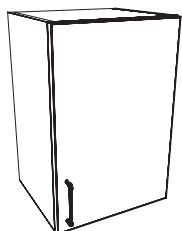
SMUCW18 \$1,410



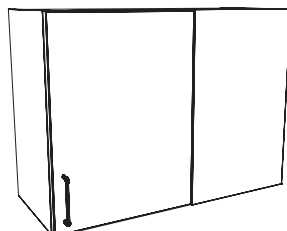
SMUEW23 \$1,150



SMUFW17 \$1,230

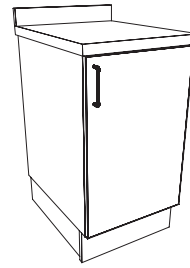


SMUDW16 \$940

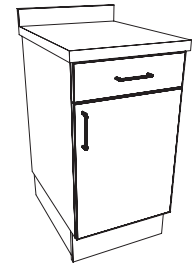


SMUGW33 \$1,200

Sample of Base Units



SMLEW15 \$1,210



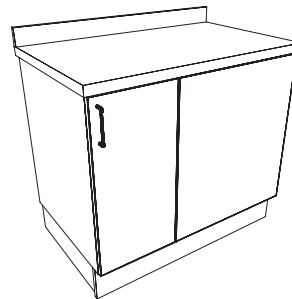
SMLFW15 \$1,350



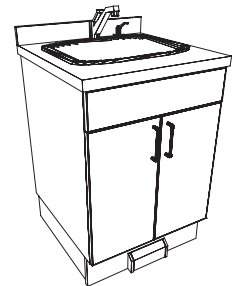
SMLG1W18 \$1,660



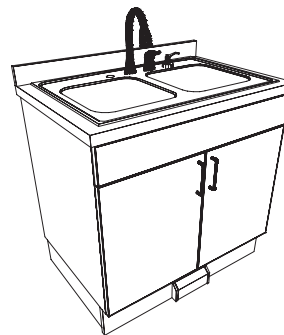
SMLG2W18 \$1,800



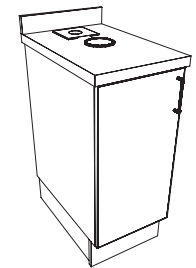
SMLHW33 \$1,780



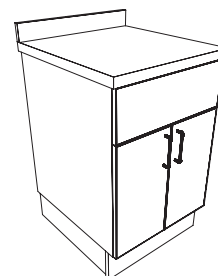
SMLAW24 \$3,110



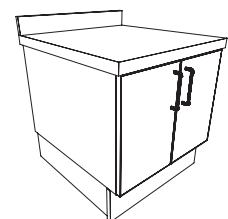
SMLAW36 \$3,240



SMLB1W15 \$1,900



SMLCW22 \$1,650

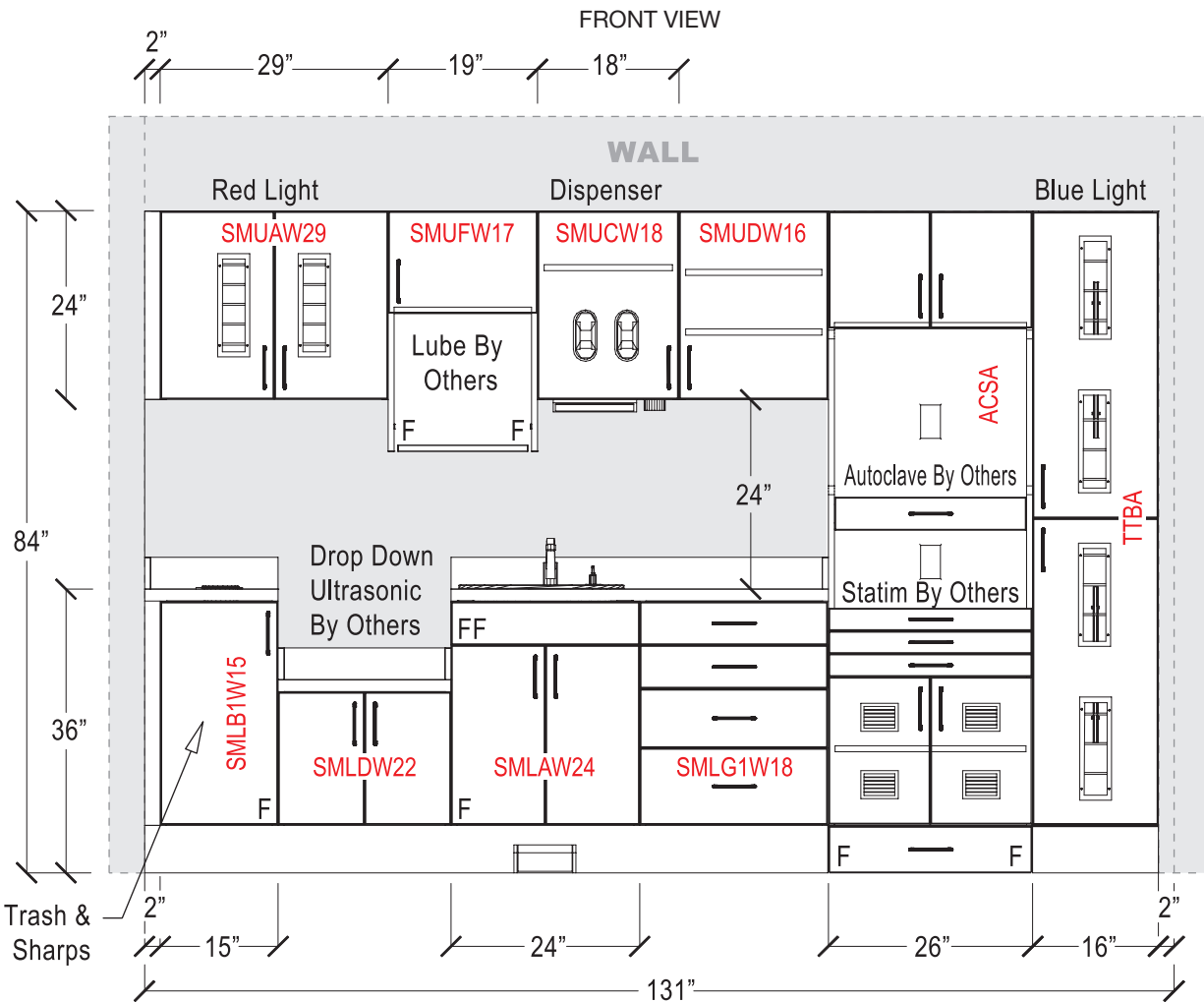
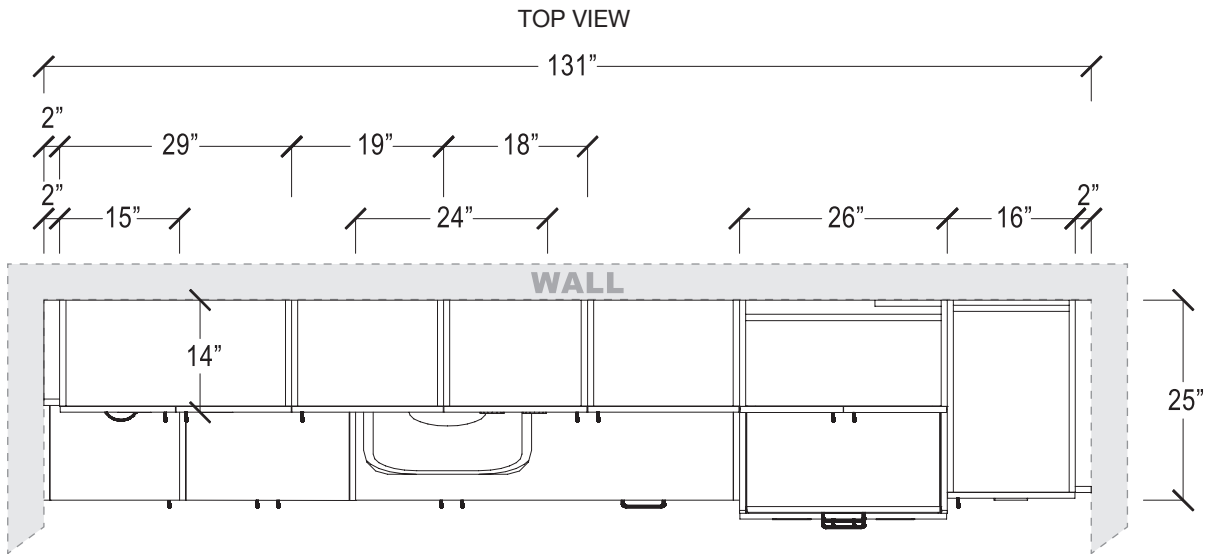


SMLDW22 \$1,440

Customizable Sterilization Centers

Sample Sterilization Center With HD Laminate Counter Tops (Price Example For Drawing Below) Total Retail Price: \$21,020

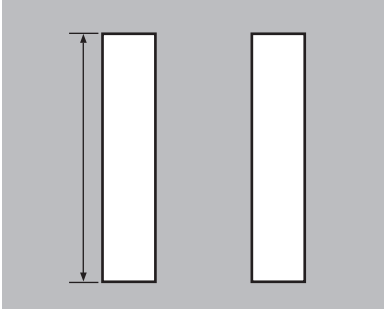
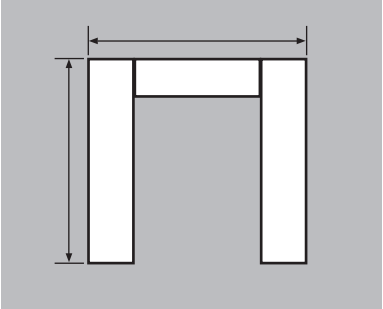
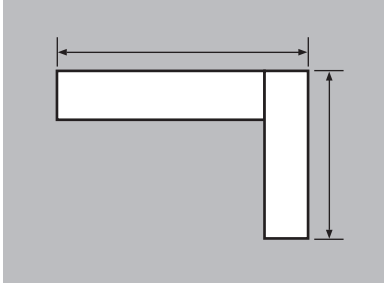
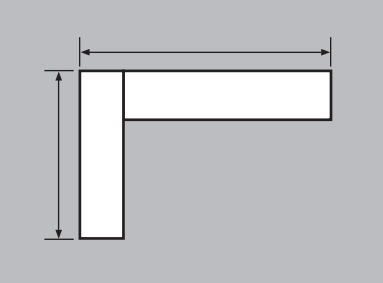
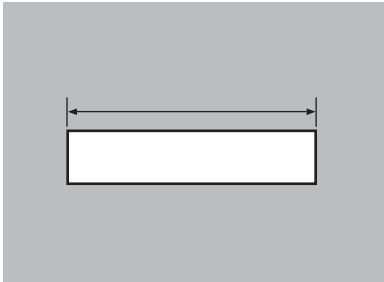
Upper Cabinets	Retail:	Base Units	Retail:	Tower Cabinets	Retail:
SMUAW29	\$1,900.00	SMLG1W18	\$1,660.00	TTBA	\$2,670.00
SMUCW18	\$1,410.00	SMLAW24	\$3,110.00	ACSA	\$4,760.00
SMUDW16	\$940.00	SMLB1W15	\$1,900.00		
SMUFW17	\$1,230.00	SMLDW22	\$1,440.00		



Customizable Sterilization Centers

Check List to acquire quote and drawing on Sterilization Center/Lab/Modular Operatories

- Layout:** Straightline / L-Shaped / U-Shaped / Galley Style
- Dimensions:** If you create a sketch with special notes, it would be quite helpful.
- Workflow:** Where is the dirty and the clean? It would be quite helpful if you add or modify in the box below.
- Wall:** Where are the side walls? On the left, right, both, or none? It would be quite helpful if you add or modify in the box below.

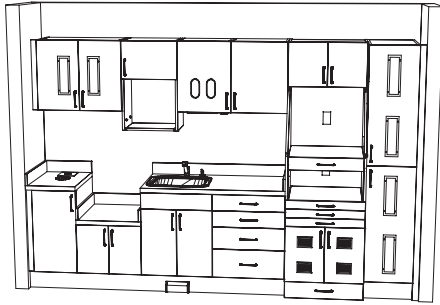
<input type="checkbox"/> Galley Style 	<input type="checkbox"/> U-Shaped 
<input type="checkbox"/> L-Shaped 	<input type="checkbox"/> L-Shaped 
<input type="checkbox"/> Straight Line 	Additional Notes <div style="border: 1px solid black; padding: 5px; min-height: 100px;"> <p>Example 1: Sink Locaton</p> <p>Example 2:</p> <p>Example 3:</p> <p>Example 4:</p> <p>Example 5:</p> </div>

Equipment: Manufacturer, Model, Installation Instructions

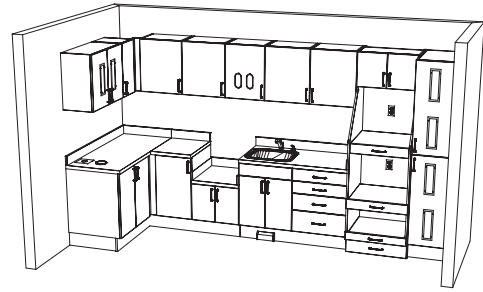
<p>1. Ultrasonic</p> <p><input type="checkbox"/> Drop Down</p> <p><input type="checkbox"/> Recess</p> <p><input type="checkbox"/> On Countertop</p>	<p>2. Autoclave</p>	<p>3. Statim</p>
<p>4. Hydrim / Washer</p>	<p>5. Lubricator</p>	

Customizable Sterilization Centers

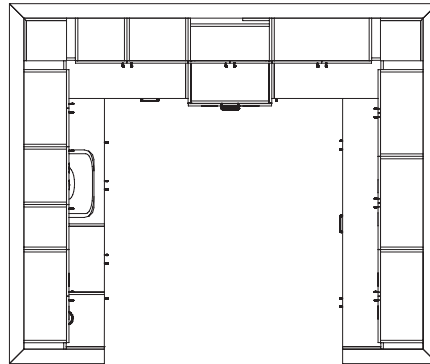
Straight Configuration



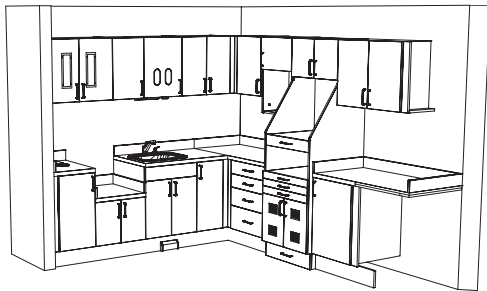
L-Shaped Configuration



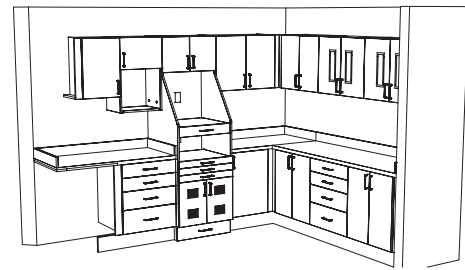
U-Shaped Configuration (Top View)



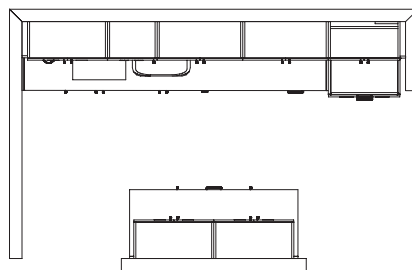
U-Shaped Configuration



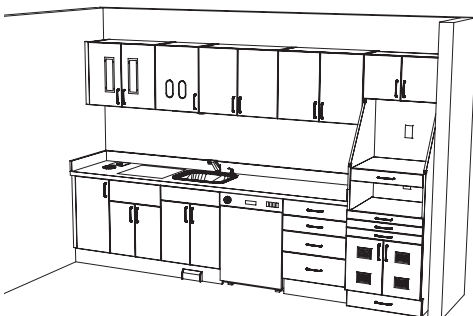
U-Shaped Configuration



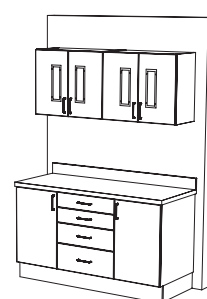
Galley Configuration (Top View)



Galley Configuration



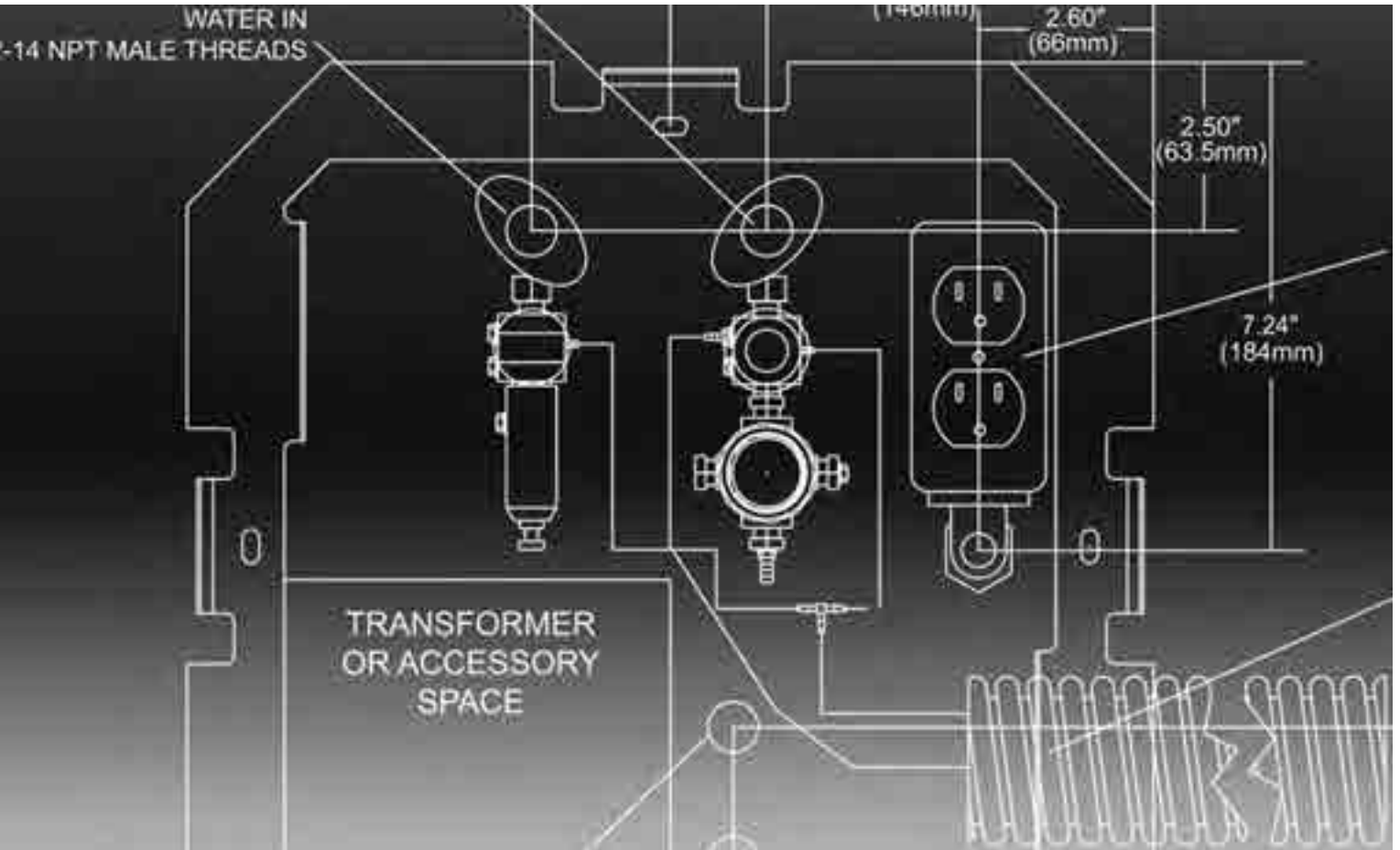
Galley Configuration



Customizable Sterilization Centers



Shipping & Templates



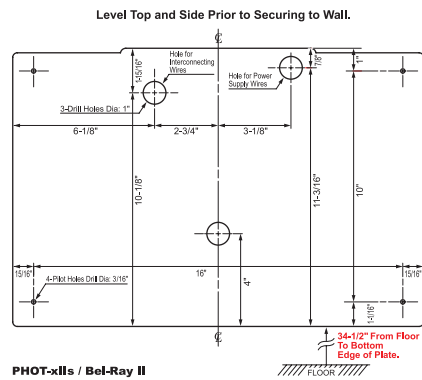
SHIPPING & TEMPLATES

Shipping Information



PP. 162-167

Templates



PP. 168-171

Shipping Information Chairs, Stools & Imaging Systems

Chairs

Chair Model	Description	Length (inches)	Width (inches)	Depth (inches)	Cubic Feet	Gross Weight (lbs.)	Note
Q5500 <i>Quolis® Series</i>	Chair Base Without Upholstery	46.5	30.5	26	21.3	302	
	Upholstery	52	26	8	11	30	
Q3300 <i>Evogue</i>	Chair Base Without Upholstery	46.5	30.5	26	21.3	302	
	Upholstery	52	26	8	11	30	
047 <i>Pro III</i>	Chair Base Without Upholstery	32	30	48	26	399	
	Upholstery	36	25	11	6	27	
B50N <i>X-Calibur V Series</i>	Chair Base Without Upholstery	43	29	27	20	337	
	Upholstery	50	26	10	8	33	

Stools

Stool Model	Description	Length (inches)	Width (inches)	Depth (inches)	Cubic Feet	Gross Weight (lbs.)	Note
090/090L	Dentist's Stool	22	23	17	5.0	33	
091/091L/091R/091RL	Assistant's Stool	22	23	23	6.7	38	

Imaging Systems

X-Ray Model	Description	Length (inches)	Width (inches)	Depth (inches)	Cubic Feet	Gross Weight (lbs.)	Note
Bel-Ray II (AC-Intraoral)	w/12", 20" & 31.5" Arms	39	17	14	6	84	
	w/40" Arm	47	17	14	6.5	88	
Phot-xlls LCD	w/12", 20" & 31.5" Arms	39	17	14	6	84	
	w/40" Arm	47	17	14	6.5	88	

Shipping Information Lights

Bel-Halo LED Lights							
Light Model	Description	Length (inches)	Width (inches)	Depth (inches)	Cubic Feet	Gross Weight (lbs.)	Note
AL991 & AL991R	Post Mounted Light	36	25	9	5	27	Requires Straight Post
AL992	Ceiling Mounted Light	36	25	9	5	31	Requires Suspension Post
	Suspension Post						(See Suspension Posts on next page)
AL995	Track Mounted Light	29	18	13	4	25	Requires Suspension Post
	Suspension Post						(See Suspension Posts on next page)
	Track	77	9	5	2	27	
AL997	Cabinet Mounted Light	18	13	9	2	9	
	Horizontal Arm for AL997	61	26	4	4	31	
AL998	Wall Mounted Light	23	23	29	9	56	
	Horizontal Arm For AL998	60	30	4	5	26	
AL990E	Bel-Halo LED Light Assy, Transformer, Switch Box (For EVOGUE Curved Post Lights)	29	20	13	5	24	Requires Curved Post

Bel-Nova LED Lights							
Light Model	Description	Length (inches)	Width (inches)	Depth (inches)	Cubic Feet	Gross Weight (lbs.)	Note
AL101 & 101R	Post Mounted Light, AL101 Grey/AL101R White	36	26	8	5	31	Requires Straight Post
AL102	Ceiling Mounted Light, Grey	36	26	8	5	35	Requires Ceiling Light Suspension Post
	Suspension Post						(See Suspension Posts on next page)
AL105	Track Mounted Light	36	26	8	5	24	Requires Track Light Suspension Post
	Suspension Post						(See Suspension Posts on next page)
	Track	77	9	5	2	27	
AL107	Cabinet Mounted Light	12	18	8	2	11	
	Horizontal Arm for AL107	61	26	4	4	31	
AL108	Wall Mounted Light, Grey	36	26	8	5	55	
	Horizontal Arm For AL108	60	30	4	5	23	Requires Curved Post
AL120E	Bel-Nova LED Light Assy, Transformer, Switch Box (For EVOGUE Curved Post Lights)	36	21	9	4	22	Requires Curved Post
AL120XN	Bel-Nova LED Light Assy, Transformer, Switch Box (For X-Calibur OTP Units)	36	21	9	4	22	Requires Curved Post
AL120X	Bel-Nova LED Light Assy, Transformer, Switch Box (For X-Calibur L-R Swing Units)	36	21	9	4	22	Requires Curved Post

Shipping Information Lights Cont.

Clesta LED Lights							
Light Model	Description	Length (inches)	Width (inches)	Depth (inches)	Cubic Feet	Gross Weight (lbs.)	Note
AL301R & AL301C	Clesta LED Light, Post Mount, White	17	34	11	4	22	Requires Straight Post (Specify)
AL302C	Ceiling Mounted Light	17	34	11	4	22	
	Suspension Post						(Specify 8, 8.5, 9, 9.5 or 10 ft ceiling height)
AL305C	Clesta LED Light, Track, Grey	17	28	13	4	29	
	Suspension Post						(Specify 8, 8.5, 9, 9.5 or 10 ft ceiling height)
	Track	76	8	4	2	27	
AL320XC	Clesta LED Light Assy, Transformer, Switch Box for EVG	28	16	9	2	17	Requires Curved Post
AL320XN	Clesta LED Light Assy, Transformer, Switch Box (For X-Calibur OTP Units)	28	16	9	2	17	Requires Curved Post
AL320X	Clesta LED Light Assy, Transformer, Switch Box (For X-Calibur L-R Swing Units)	28	16	9	2	17	Requires Curved Post

Suspension Posts For Ceiling Lights							
Description	Length (inches)	Width (inches)	Depth (inches)	Cubic Feet	Gross Weight (lbs.)	Note	
For 8 Foot Ceiling Height	15	2	2	0.1	3		
For 8.5 Foot Ceiling Height	21	2	2	0.1	4		
For 9 Foot Ceiling Height	27	2	2	0.1	6		
For 9.5 Foot Ceiling Height	38	2	2	0.1	8		
For 10 Foot Ceiling Height	39	2	2	0.1	9		

Suspension Posts For Track Lights							
Description	Length (inches)	Width (inches)	Depth (inches)	Cubic Feet	Gross Weight (lbs.)	Note	
For 8 Foot Ceiling Height	17	2	2	0.1	3		
For 8.5 Foot Ceiling Height	22	2	2	0.1	4		
For 9 Foot Ceiling Height	28	2	2	0.1	6		
For 9.5 Foot Ceiling Height	35	2	2	0.1	8		
For 10 Foot Ceiling Height	41	2	2	0.1	9		

Curved Light Post For EVOGUE PMU (ONLY)							
Light Model	Description	Length (inches)	Width (inches)	Depth (inches)	Cubic Feet	Gross Weight (lbs.)	Note
AU-HV3908	Upper Curved Post Assembly For Mounting AL990E, AL120E & AL320XC Onto EVOGUE PMU ONLY	41	16	4	2	18	

Swing Arm Assembly & Chair Mount For Stand-Alone Left-Right Swing Lights For Belmont Chairs							
Light Model	Description	Length (inches)	Width (inches)	Depth (inches)	Cubic Feet	Gross Weight (lbs.)	Note
AU-HV3230SX	Stand-Alone Left-Right Light Swing Arm Sub-assembly for B50N Chairs	48	42	12	14	70	Light Not Included
	Standard J-Box	16	16	7	1	7	
AU-HV3330SQ	Stand-Alone Left-Right Light Swing Arm Sub-assembly for Q5500 & Q3300 Chairs	48	42	12	14	83	Light Not Included
	Deluxe Contoured J-Box	20	18	10	2	12	

Shipping Information Delivery Systems

EVOGUE Traditional Style And EVOGUE FLEX Style Continental Delivery Systems						
Unit Model	Description	Box Dimensions			Cubic Feet	Approx. Box Weight (lbs.)
		Length (inches)	Width (inches)	Height (inches)		
EVG3000D	Doctor's Control, OTP, Traditional Style	50	19	15	8.2	66
EVG3020D	Doctor's Control, OTP, FLEX Continental Style	50	19	16	8.8	80
AU-HV3100C	PMU/ Cuspidor/ Assistant's Instruments	32	28	15	7.8	64
AU-HV3110C	PMU/ Assistant's Instruments	32	28	15	7.8	44
AU-HV3902	EVG OTP Delivery System Chair Adapter Kit for Q5500 and Q3300 Chairs	28	21	8	5.1	50
	Components For EVG Over -The -Patient Delivery, Q5500 & Q3300 Chairs	16	16	7	1	6
	Deluxe Contoured J-Box For Q5500 and Q3300 Chairs ONLY	20	18	10	2	12
AU-HV3901N	EVG OTP Delivery System Chair Adapter Kit for B50N Chairs	28	21	8	5.1	40
	J-Box & Components For EVG Over -The -Patient Delivery on B50N Chairs	16	16	7	1	10
EVG3070D	Doctor's Control, Left-Right Swing, Traditional Style	51	20	16	9	53
EVG3080D	Doctor's Control, OTP, FLEX Continental Style	50	19	16	8.8	67
EVG3375SQ	Doctor's Single Swing Arm Assembly, Q5500 & Q3300 Chairs ONLY	48	42	12	14	66
	Components For EVG Left-Right Swing Mounted Delivery, Q5500 & Q3300 Chairs	16	16	7	1	6
	Deluxe Contoured J-Box For Q5500 and Q3300 Chairs ONLY	20	18	10	2	12
BDS5165	Monitor Arm With Washers And Bearings (Attaches to EVG3375SQ ONLY)	31	29	5	3	17
EVG3275SX	Doctor's Single Swing Arm Assembly, B50N Chairs ONLY	48	42	12	14	76
	J-Box & Components For EVG Left-Right Swing Mounted Delivery on B50N Chairs	16	16	7	1	10
EVG3589B	Monitor Arm With Washers And Bearings (Attaches to EVG3275SX ONLY)	48	42	12	14	38
EVG3370SQ	Dual Swing Arm Assembly w/ Curved Light Post, For Q5500 & Q3300 Chairs ONLY	48	42	12	14	92
	Components For EVG Left-Right Swing Mounted Delivery, Q5500 & Q3300 Chairs	16	16	7	1	6
	Deluxe Contoured J-Box For Q5500 and Q3300 Chairs ONLY	20	18	10	2	12
EVG3270SX	Dual Swing Arm Assembly w/ Curved Light Post, For B50N Chairs ONLY	48	42	12	14	100
	J-Box & Components For EVG Left-Right Swing Mounted Delivery on B50N Chairs	16	16	7	1	10
EVG3800Q	Assistant's Instrument Vac Pac For Q5500 & Q3300 Chairs Only	30	24	9	3.5	38
EVG3800B	Assistant's Instrument Vac Pac For B50N Chairs Only	30	24	9	3.5	34
QDU5800	Assistant's Instrument Vac Pac with Touchpad for Q5500 and Q3300 Chairs	39	30	8	4	50
BDS5160SA	Stand-Alone Left-Right Monitor Swing Arm Assembly (Q5500 & Q3300 Chairs ONLY)	48	33	12	11	56
AU-HV3290MSX	Stand-Alone Left-Right Monitor Swing Arm Assembly (B50N Chairs ONLY)	48	42	12	14	73
FPMMGR	Flat Panel Monitor Mount	20	6	6	0.5	5.3
EVG3550	Evogue Doctor's Mobile Cart Delivery System	22	20	14	3.6	49
	Components for EVG3550	16	16	7	1	5
EVG3555	Doctor's Side Delivery, Cabinet Mounted	30	23	19	7.6	78
	Components for EVG3555	16	16	7	1	7
EVG3561	Doctor's & Assistant's Cabinet Mounted Rear Delivery	25	17	17	4	38
	Components for EVG3561	16	16	7	1	6
EVG3563	Rear Cabinet Mounted Assistant's Instruments	25	17	17	4	32

SHIPPING & TEMPLATES

Shipping Information Delivery Systems & Dental Cabinetry

SHIPPING & TEMPLATES

X-Calibur Delivery Systems						
Unit Model	Description	Box Dimensions			Cubic Feet	Approx. Box Weight (lbs.)
		Length (inches)	Width (inches)	Height (inches)		
BDS2500DK	Doctor's Control /Arm Assembly For BDS OTP (BDS2500CK & BDS2510CK ONLY)	55	21	25	17	68
BDS2500CK	Cuspidor w/ Telescoping Arm	35	25	19	10	86
	J-Box & Components For BDS Over -The -Patient Delivery	16	16	7	1	14
BDS2510CK	PMU w/ Telescoping Arm	35	25	19	10	72
	J-Box & Components For BDS Over -The -Patient Delivery	16	16	7	1	14
BDS2570D	Doctor's Control /Arm Assembly For BDS L/R (BDS2570SK & BDS2575SK ONLY)	55	21	25	17	48
BDS2570SK	Dual Swing Arm Assy., Mounting Plate & J-Box	46	39	9	10	92
	Components For BDS Left-Right Swing Mounted Delivery	16	16	7	1	13
BDS2575SK	Swing Arm Assy., Mounting Plate & J-Box	46	39	9	10	72
	Components For BDS Left-Right Swing Mounted Delivery	16	16	7	1	13
BDS2589	Monitor Arm With Washers and Bearings only (Attaches to BDS2575SK ONLY)	47	39	10	10.5	34
FPMGR	Flat Panel Monitor Mount	20	6	6	0.5	5.3
BDS3800	Assistant's Instrument Vac Pac for B50N Chairs	30	24	9	3.5	33
BDS2571	Cabinet Mounted Assistant/s Instruments	16	12	5	0.6	9

Dental Cabinetry, X-Calibur							
Cabinet Model	Shipping Weight	Length (inches)	Width (inches)	Height (inches)	No. Boxes on Skid	Cubic Feet	Class
D1 Doctor's Console	300 lbs.	36	38	88	3	70	125
D1 with D2	400 lbs.	54	38	88	4	105	125
D2 Storage	110 lbs.	40	22	36	1	19	125
D2 U Upper	75 lbs.	40	22	24	1	13	125
D2L Lower	40 lbs.	35	17	11	1	4	125
D1 with D2 & Option 91701	500 lbs.	54	40	88	5	110	125
D3 Assistant's Console	300 lbs.	62	26	53	3	50	125
D3 with D2	400 lbs.	62	37	73	3	97	125
D3 with D2 & Option 91701	500 lbs.	62	40	82	4	119	125
D4RH Split Entry Console	750 lbs.	64	48	86	6	153	125
D4RH Bi Fold Console	900 lbs.	64	53	92	7	181	125
D50 X-Ray Pass-Thru	190 lbs.	55	19	57	1	35	125
D5CM	300 lbs.	50	42	67	5	82	125
D5CML	190 lbs.	42	36	58	3	51	125
D8 Sink Unit	220 lbs.	42	24	48	1	28	125
D9 Mobile Cart	110 lbs.	21	20	39	1	10	125
D66CM and D66CMF	490 lbs.	56	48	67	5	105	125
D66CML	360 lbs.	48	42	58	3	68	125

Shipping Information Dental Cabinetry & Sterilization Centers

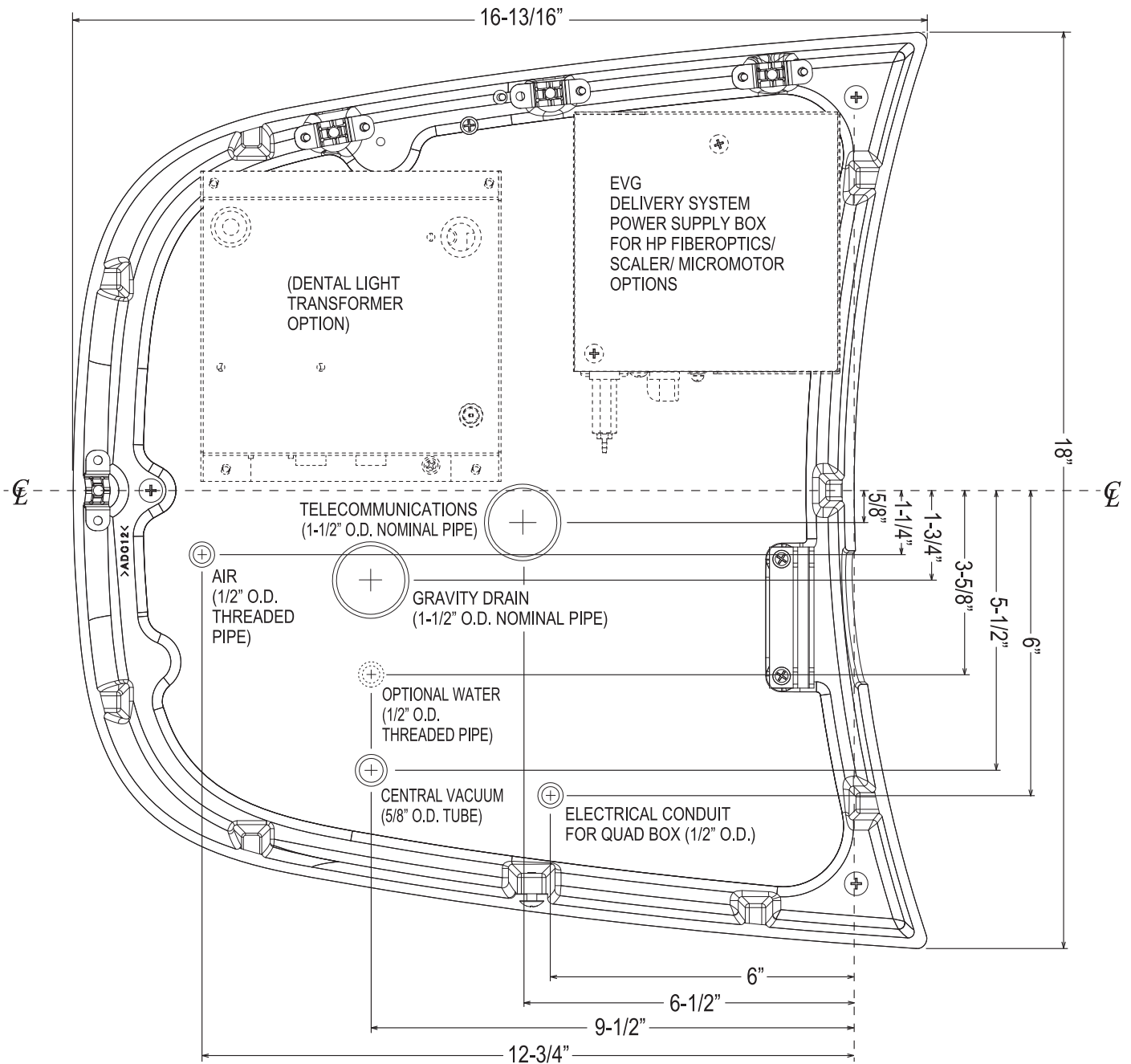
Dental Cabinetry, K-Series							
Cabinet Model	Shipping Weight	Length (inches)	Width (inches)	Height (inches)	No. Boxes on Skid	Cubic Feet	Class
K-Side Cabinets <i>Consult factory for shipping information</i>							
K66SS Rear Treatment Console	510 lbs.	43	46	65	1	74	125

Dental Cabinetry, Flex Series							
Cabinet Model	Shipping Weight	Length (inches)	Width (inches)	Height (inches)	No. Boxes on Skid	Cubic Feet	Class
F1RS	265 lbs.	75	24	41	1	42.7	125
F3T1RS, F3T1LS	Variable with option	62	26	41	1	35.3	125
F3T2RS, F3T2LS	Variable with option	62	24	41	1	35.3	125
F3RNS, F3LNS	Variable with option	54	24	41	1	30.8	125
F4 <i>Consult factory for shipping information</i>							
F66L1	Variable with option	45	42	40	Variable with option	43.8	125
F66L2	Variable with option	45	42	40	Variable with option	43.8	125
F66U	130 lbs.	45	20	26	1	13.5	125
FCT	305 lbs.	62	24	41	1	35.3	125
*Weights include packing materials.							

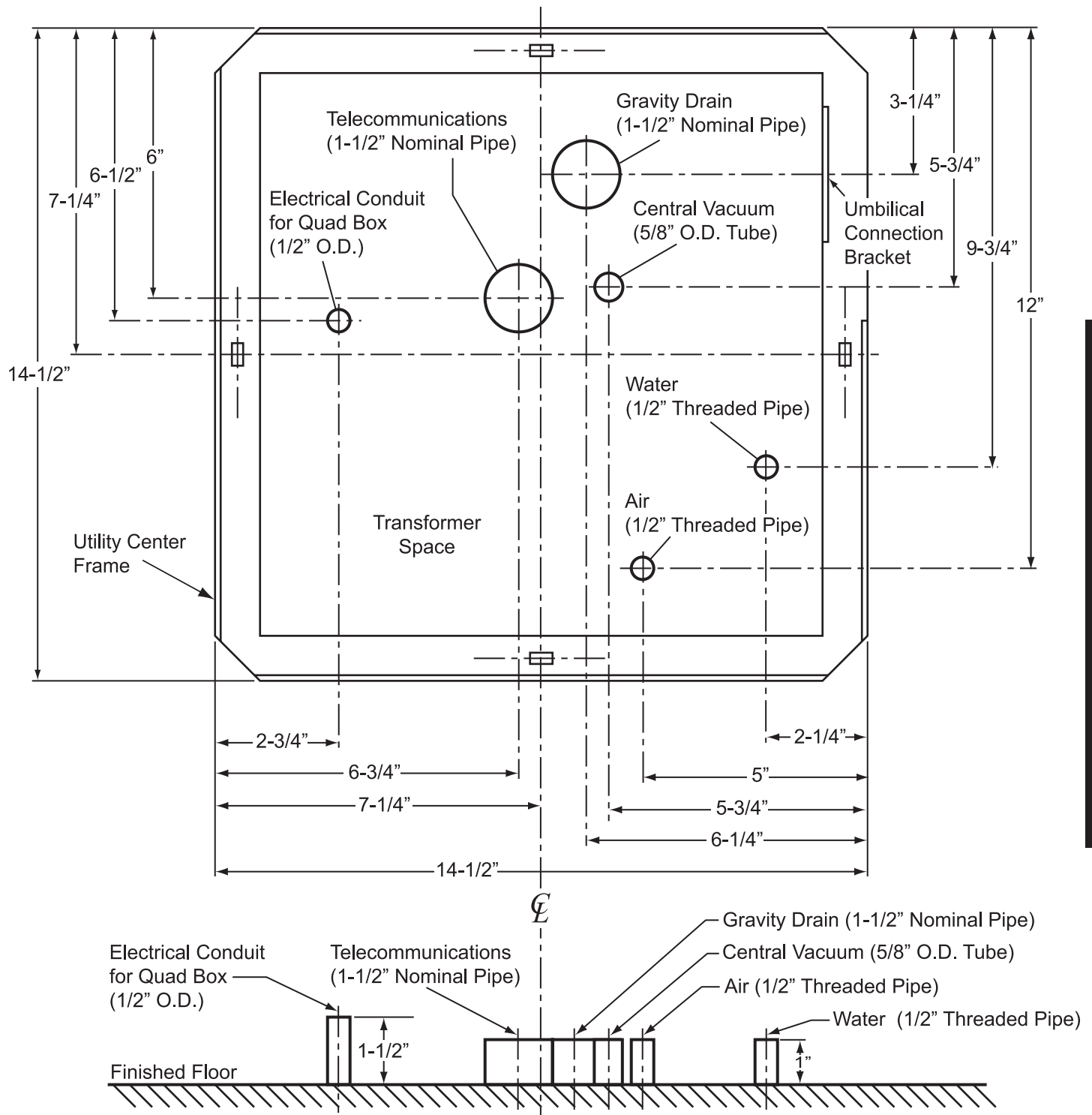
Dental Cabinetry, ECO-Sys & Ortho-Sys							
Cabinet Model	Shipping Weight	Length (inches)	Width (inches)	Height (inches)	No. Boxes on Skid	Cubic Feet	Class
ECO1 Doctor's Console	205 lbs.	64	24	42	1	41.4	125
ECO2	110 lbs.	40	22	36	1	19	125
ECO2U Upper	75 lbs.	40	22	24	1	13	125
ECO2L Lower	40 lbs.	35	17	11	1	4	125
ECO3 Assistant's Side Console	280 lbs.	60	24	42	1	40	125
ECO6 Twelve O'Clock Rear Treatment Console	465 lbs.	42	36	63	1	52.5	125
ECO8 Sink Unit	220 lbs.	42	24	48	1	28	125
ECO9, ECO9F2B and ECO9SD Mobile Cart	115 lbs.	24	38	24	1	12.7	125
OC200 Ortho-Sys Cart	150 lbs.	27	27	34	1	14.4	125
OC400 Ortho-Sys Cart	200 lbs.	31	32	38	1	21.8	125
*Weights include packing materials.							

Sterilization Centers							
Cabinet Model	Shipping Weight	Length (inches)	Width (inches)	Height (inches)	No. Boxes on Skid	Cubic Feet	Class
Sterilization Centers <i>Consult factory for shipping information</i>							

Templates Floor Template for EVOGUE Deluxe Contoured J-Box For Q5500 and Q3300 Chairs

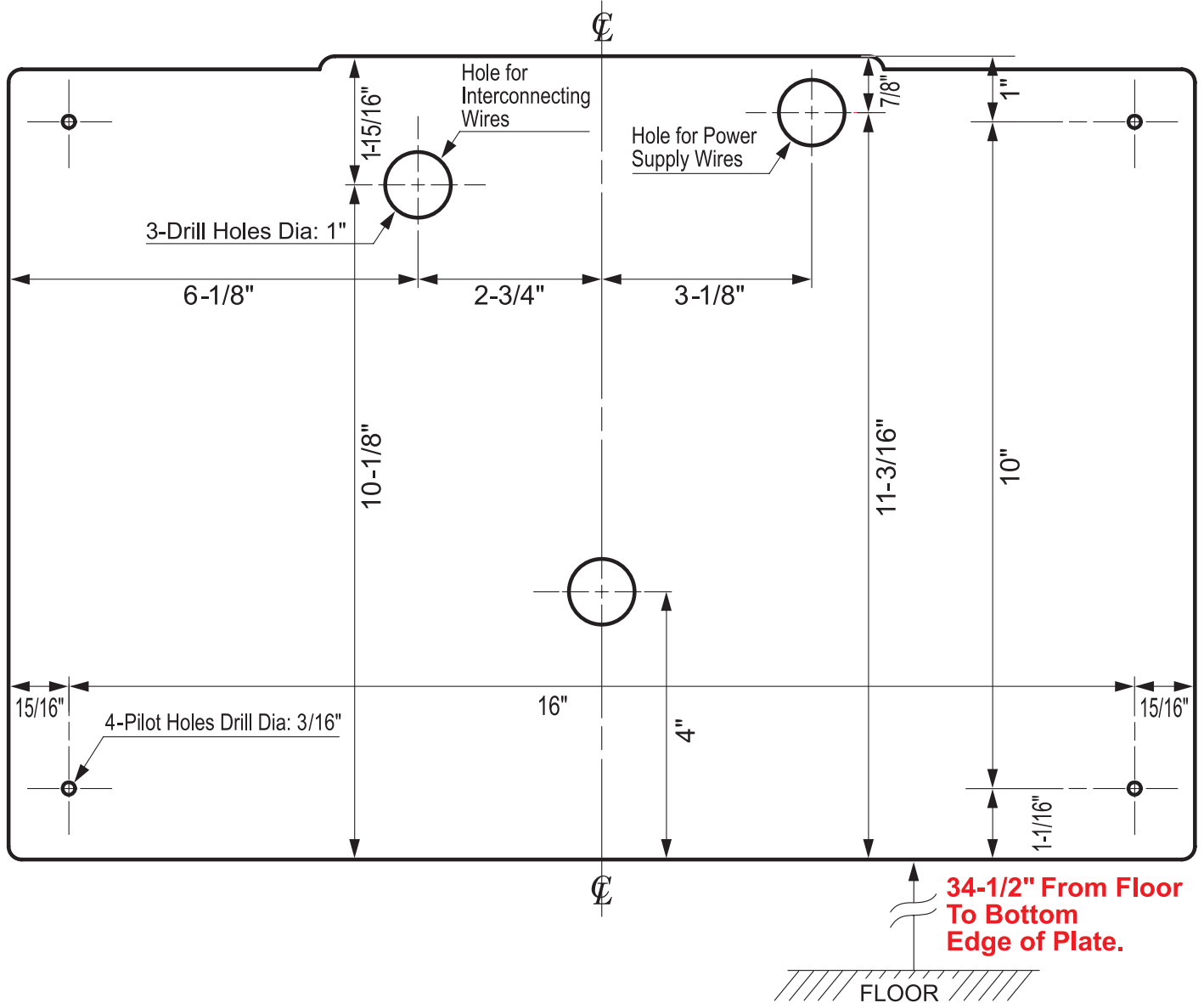


Templates Floor Template for X-Calibur and EVOGUE Delivery System J-Box For B50N Chairs



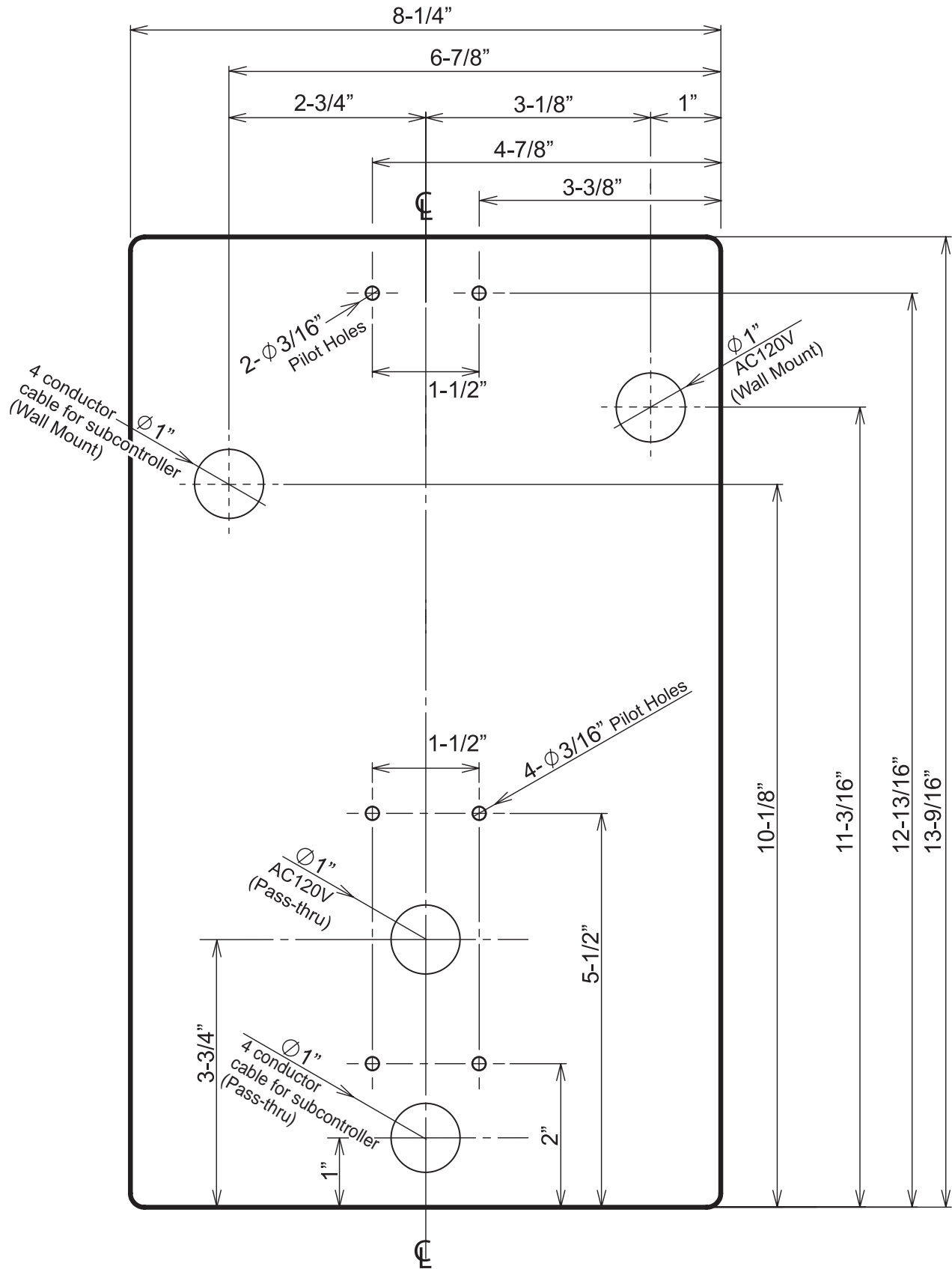
SHIPPING & TEMPLATES

Level Top and Side Prior to Securing to Wall.



SHIPPING & TEMPLATES

Templates PH0T-xlls/097 Bel-Ray II Pass-Thru Mounting / Double Stud Mounting



SHIPPING & TEMPLATES

Terms & Conditions

ORDERING:

All orders will be processed upon receipt of an e-mailed or faxed copy of the purchase order.
Net 30 Days for Approved Accounts.

All shipments are F.O.B. Shipping Point, Freight Collect, Unless Otherwise Specified. Models, Pricing, Colors, Material, Styles and Specifications are Subject to Change Without Notice.

ACKNOWLEDGEMENTS:

All processed orders will be acknowledged in writing after credit clearance.

It is the customer's responsibility to verify that the order acknowledgement matches the purchase order.

REVISIONS AND CONFIRMING ORDERS:

Purchase orders must be marked "Revised" in order to avoid duplication.

DUPLICATE SHIPMENTS:

Duplicate shipments resulting from the failure of the customer to identify revisions, duplication or confirmation become the responsibility of the customer and shall be invoiced.

CANCELLATIONS:

All cancellations must be confirmed in writing. Any order in the process of manufacture at the time of cancellation notification is subject to a charge of 25% OR MORE, depending on the nature of the merchandise cancelled and the amount of work completed.

SPECIAL ORDERS:

All costs incurred by Belmont for the purchase and production of any order involving non-standard designs, materials, colors, etc. shall be charged back to the customer.

RETURNS:

No return will be accepted without a Belmont Return Authorization number assigned and affixed to the box.

No returns will be accepted unless prepaid.

Authorized returns are subject to a minimum 15% return charge.

All authorized returns must be received by Belmont in original packaging and in perfect condition for credit consideration.

CLAIMS:

ALL claims for merchandise received that is not in accordance with the order acknowledgement must be made within FIVE (5) working days of the receipt of the merchandise.

All merchandise is quality inspected and packed in perfect condition. The common carrier assumes full responsibility for the safe delivery of all merchandise after it is removed from the F.O.B. point.

ALL claims for shortages, loss or damage must be documented and filed promptly with the freight carrier.

Concealed damage must be reported to the freight carrier immediately upon discovery, with a request for inspection.

If a request is made more than 15 days after the receipt of merchandise, reasonable evidence must be submitted that damage could not have occurred after delivery.

HOLD ORDERS:

Orders put on hold by the dealer after manufacture, but before shipment has been made, shall be invoiced and subject to payment terms. After 30 days, held orders will be subject to a 1.5% per month storage charge.

PICK-UPS:

Orders manufactured and ready for "pick-up" will be invoiced and shipped freight collect to the dealer, if merchandise has not been picked up within two (2) weeks of notification that the order is ready.

Cleaning and Disinfection

BARRIER TECHNIQUE:

The first choice in the protection of dental equipment should be the use of disposable barrier products. The repeated use of disinfectants on equipment surfaces without the constant removal of the solution residue will eventually cause some damage to equipment surfaces.

CHEMICAL DISINFECTANTS:

Contact disinfectant manufacturers prior to use, to determine suitability for use on upholstery and equipment surfaces.

UNACCEPTABLE DISINFECTANTS

The following chemicals may damage equipment and upholstery:

- Alcohol based solutions
- Bleach
- Phenol/Alcohol combinations
- Foam spray products

USE WITH CAUTION:

- Water based phenolic disinfectants following exactly the instructions for use.

The Belmont Warranty does not cover damage to equipment and upholstery caused by disinfectant solutions.

Warranty

Belmont Equipment dental products are warranted by the manufacturer to be free from defective material and workmanship under normal use and service, for a period of two (2) years from the date of shipment to the first purchaser for beneficial use (the “Buyer”), except as specifically listed by product in the table below. Warranty coverage is from date of shipment from Belmont to the Buyer.

Belmont will repair or replace any item deemed to be defective at their sole discretion under this warranty, provided the defective part is returned with a Belmont issued Return Authorization (RA) number clearly marked on the outside of return packaging and on all paperwork, along with return shipment freight charges prepaid by sender. Any and all warranty service must be performed by authorized dealer technicians or by Belmont.

EXCEPT AS OTHERWISE PROVIDED HEREIN, THERE IS NO WARRANTY, REPRESENTATION OR CONDITION OF ANY KIND, EXPRESS OR IMPLIED (INCLUDING NO WARRANTY OF MERCHANTABILITY OR FITNESS) AND NONE SHALL BE IMPLIED. THE EXPRESS WARRANTY AND THE REMEDIES CONTAINED HEREIN: (1) ARE MADE SOLELY TO THE BUYER; (2) ARE THE SOLE WARRANTIES AND REMEDIES; AND (3) ARE IN LIEU OF ALL OTHER WARRANTIES, GUARANTEES, AGREEMENTS OR OTHER LIABILITIES, WHETHER EXPRESS OR IMPLIED, AND ALL OTHER REMEDIES FOR BREACH OF WARRANTY OR ANY OTHER LIABILITY OF BELMONT. IN NO EVENT WHATSOEVER SHALL BELMONT BE LIABLE FOR CONSEQUENTIAL OR INCIDENTAL DAMAGES.

No person, agent, distributor or dealer is authorized to change, modify or extend the terms of the Warranty in any manner, whatsoever.


This Warranty is void when failure or defect is caused by conditions beyond the manufacturer’s control, such as damage resulting from mishandling, neglect, misuse, improper maintenance, accident or alteration or repair by anyone other than Belmont or an authorized Belmont dealer.

Labor required to repair, replace or retrofit is not included during the warranty period by the manufacturer.

All product warranty coverage is from date of shipment from Belmont to the Buyer:

Q5500 and Q3300 Chairs	5-Year Warranty. Warranty does not include upholstery. See Upholstery for Chairs and Stools.
B50N and 047 Chairs	5-Year Warranty. Warranty does not include upholstery. See Upholstery for Chairs and Stools.
Upholstery for Chairs and Stools	1-Year Warranty. Warranty coverage is restricted to normal use in dental office and is dependent upon owners and staff following Belmont cleaning instructions.
Stools	2-Year Warranty. Warranty does not include upholstery. See Upholstery for Chairs and Stools.
Delivery Systems	5-Year Warranty.
Operatory Lights	5-Year Warranty.
Phot-xlls LCD and Bel-Ray II Intraoral X-rays	5-Year Warranty.
Koken Cabinetry	3-Year Warranty. Requirements for long term storage: cabinetry must be stored within a temperature and humidity controlled room, due to the possibility of expansion or shrinkage of materials.
Service Parts	90-Day Warranty.
EVG0025 & EVG0027 Fiberoptic Systems (Factory Installed)	1-Year Warranty for light control & transformer. 6-Month Warranty for 6-pin hose assembly.
BDS0025, EVG0025 & EVG0027 Fiberoptic Systems (Field Installed)	6-Month Warranty for light control & transformer. 6-Month Warranty for 6-pin hose assembly.
EVG0021, EVG0023 & EVG0024 Scalers	1-Year Warranty.
EVG0051, EVG0052, EVG0054R & EVG0054EU Micromotor Systems	3-Year Warranty.
EM-Bundle	3-Year Warranty for Electric Motor System. 2-Year Warranty for Handpiece Attachments.
AM-Bundle	1-Year Warranty for Air Motor and Coupler. 2-Year Warranty for Handpiece Attachments.



 **2025**

BRH0021 REV0250201

A DIVISION OF TAKARA BELMONT USA, INC.

101 BELMONT DRIVE, SOMERSET, NJ 08873

732.465.5000 | 800.223.1192 | FAX: 732.356.1035