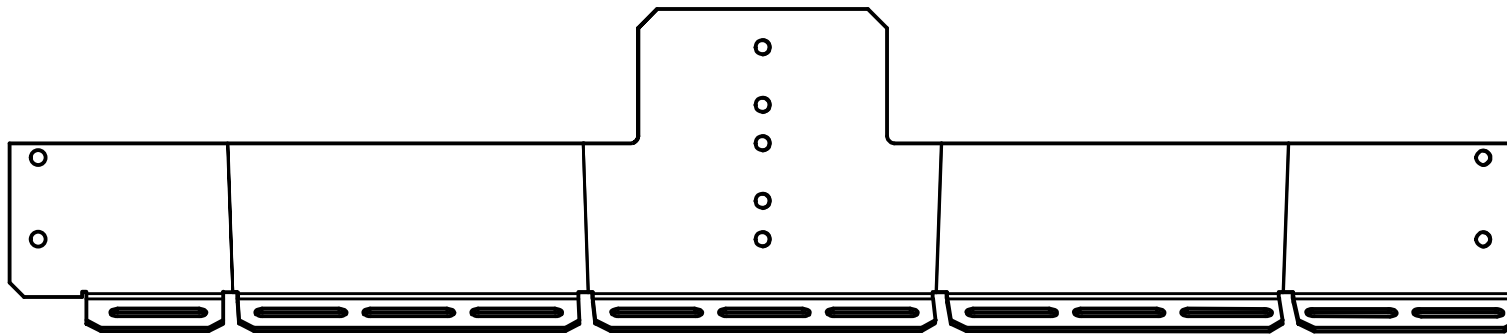


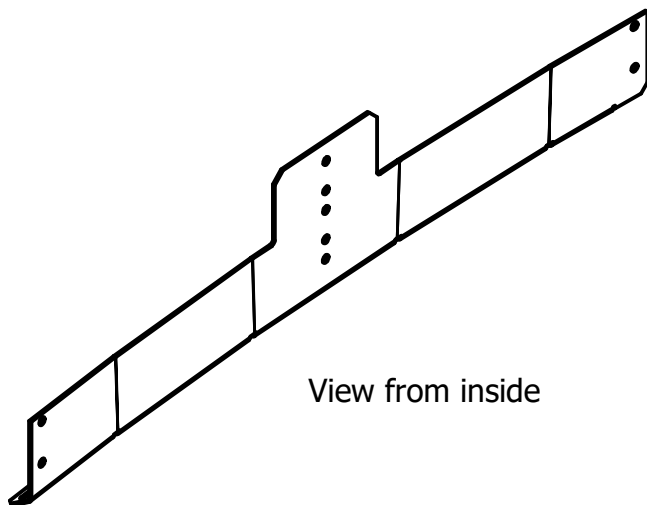
Replacement ARD-1001 Outer Ring

Please note all instances of ARD-1001 in the following instructions have been replaced with this new version to include top extension.

View from outside



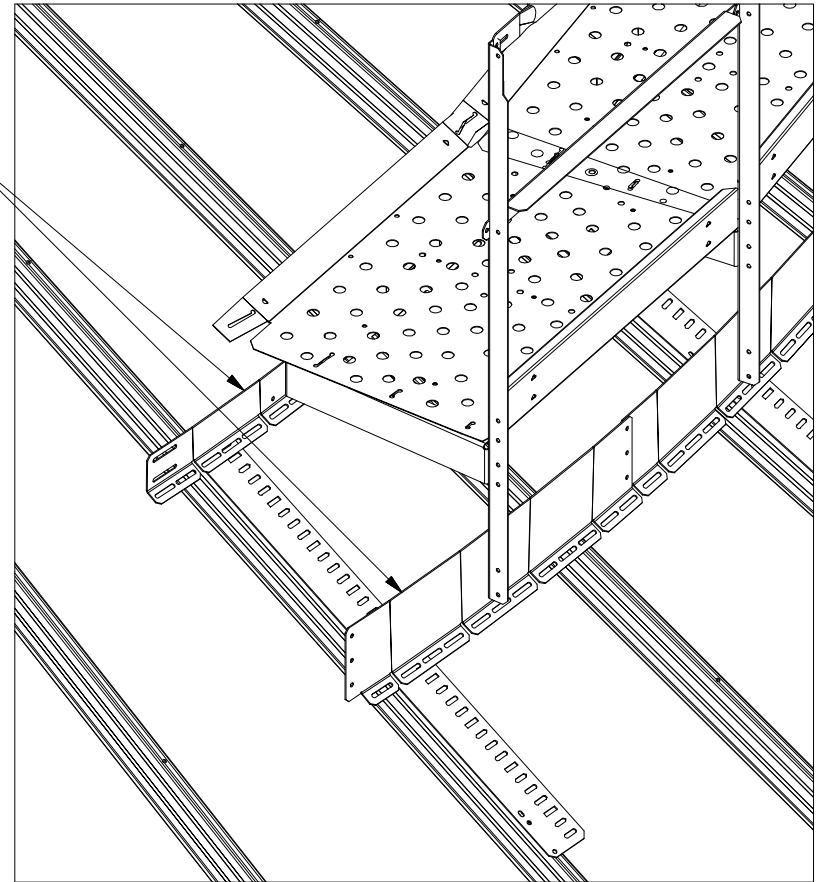
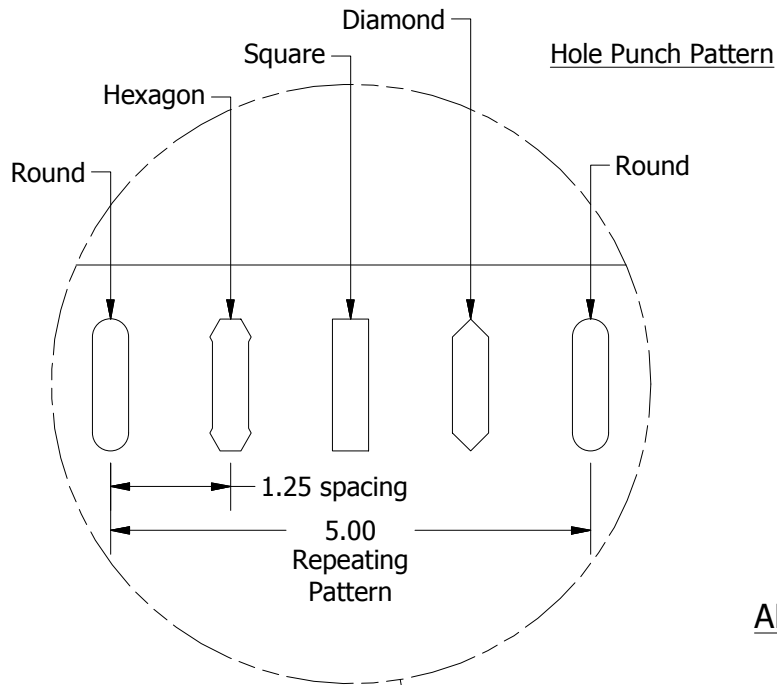
View from inside



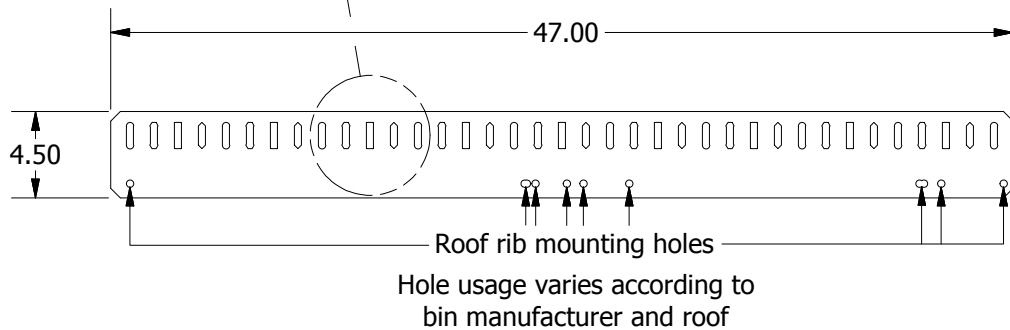
DRAWN	3/20/2019	Greene Galvanized Stairs		
CHECKED		East Lynn, IL 217.375.4244		
QA		www.greenebinstairs.com		
MFG		TITLE		
APPROVED				
		SIZE	DWG NO	REV
		A		
		SCALE	1:5	SHEET 1 OF 1

The inner and outer rings should be attached to the roof mounts using the matching hole shape, 5 spaces apart.
 For example, if the outer ring is mounted in the square punched holes, the inner ring should also be in the square punched holes, 5 spaces up.
 The pattern is repeated continuously on every roof mount.

Each deck section is equivalent to 1' of the deck diameter at the outer ring.
 For example, a 48' diameter deck will equal 48 deck sections.
 The maximum number of roof mounts will be 2 per deck section.

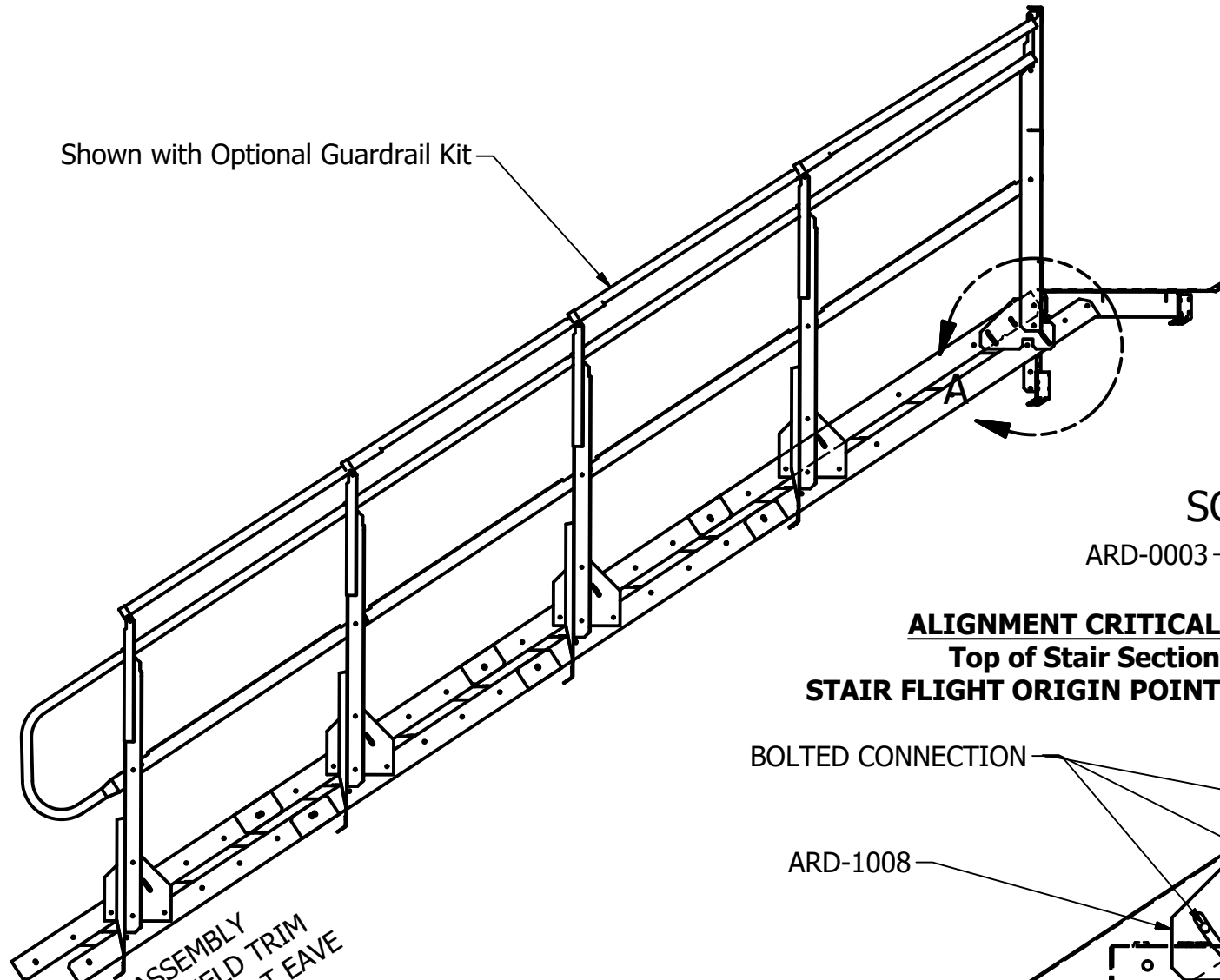


ARD-M01, A-Series Roof Deck Mount



DRAWN Bill Huff	7/1/2015	Greene Galvanized Stairs	
CHECKED		217-375-4244 www.greenebinstairs.com	
QA		TITLE	
MFG		A-Series Roof Deck Mount	
APPROVED		SIZE A	DWG NO ARD-M01 Roof Mount
		SCALE	REV 1
		SHEET 1 OF 1	

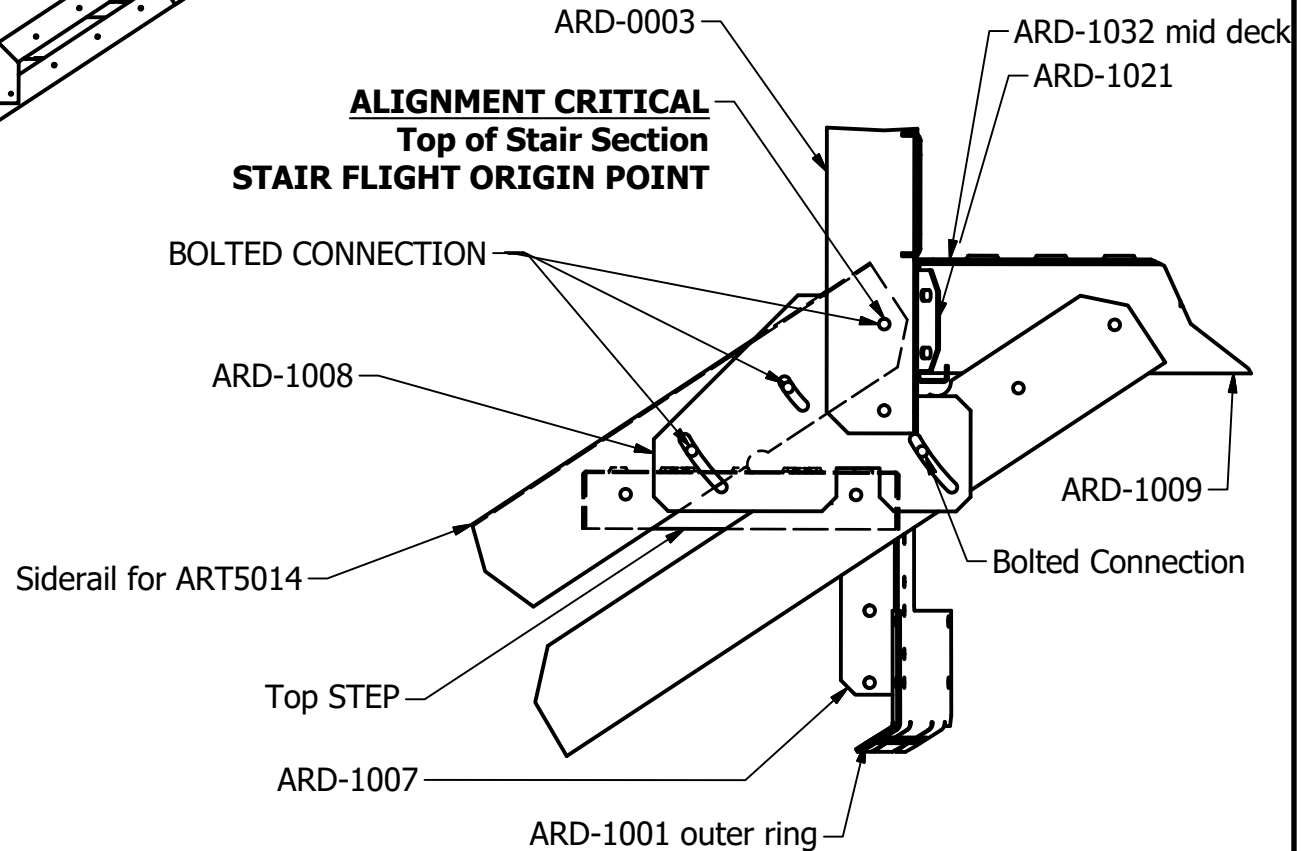
Shown with Optional Guardrail Kit



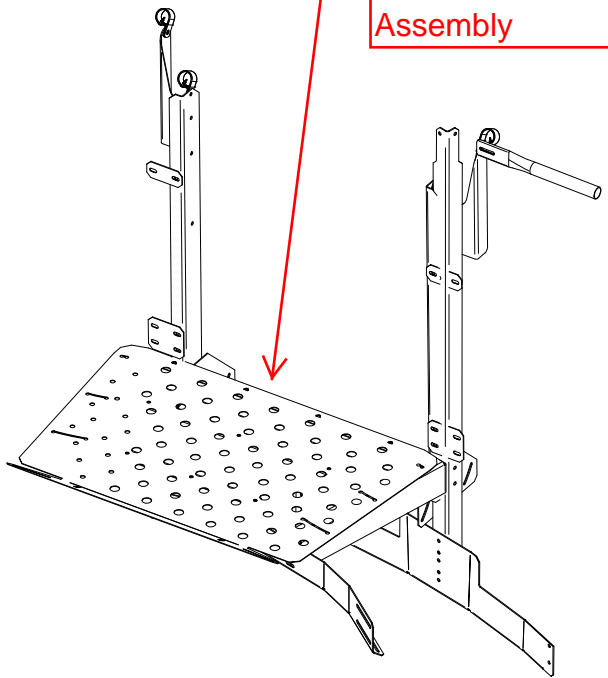
TOP DOWN ASSEMBLY
MAY NEED TO FIELD TRIM
BOTTOM OF STAIR AT EAVE
PLATFORM
PLEASE ALLOW 1/2 TO 1
FULL STEP BEYOND EAVE

DETAIL A
SCALE 0.15 : 1

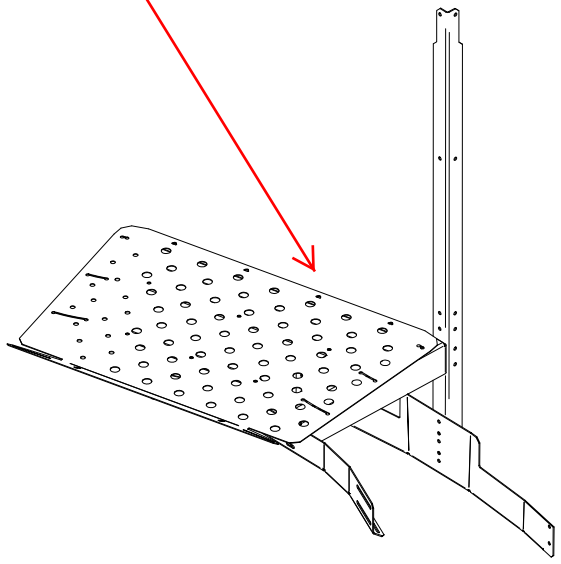
ALIGNMENT CRITICAL
Top of Stair Section
STAIR FLIGHT ORIGIN POINT



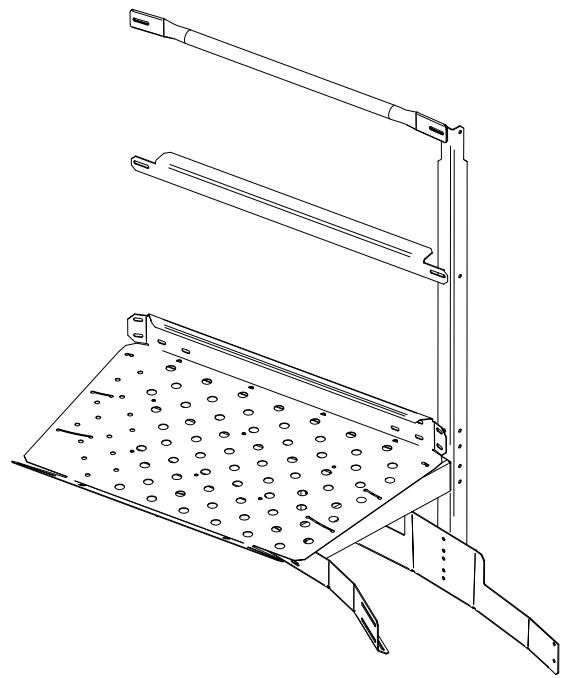
Kick Board is
 FLIPPED and
 TURNED DOWN at
 Assembly



Entry Section



Landing Section



Mid Roof Deck Section

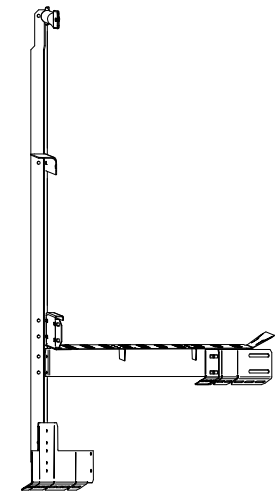
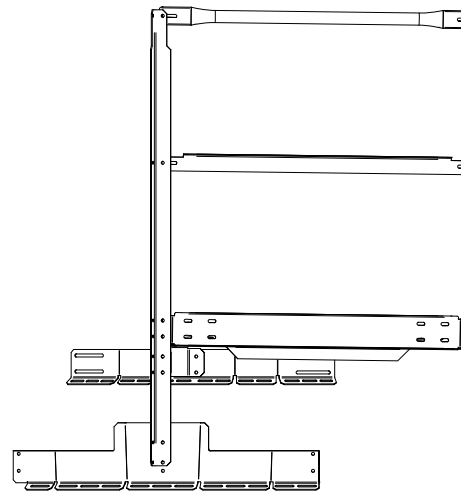
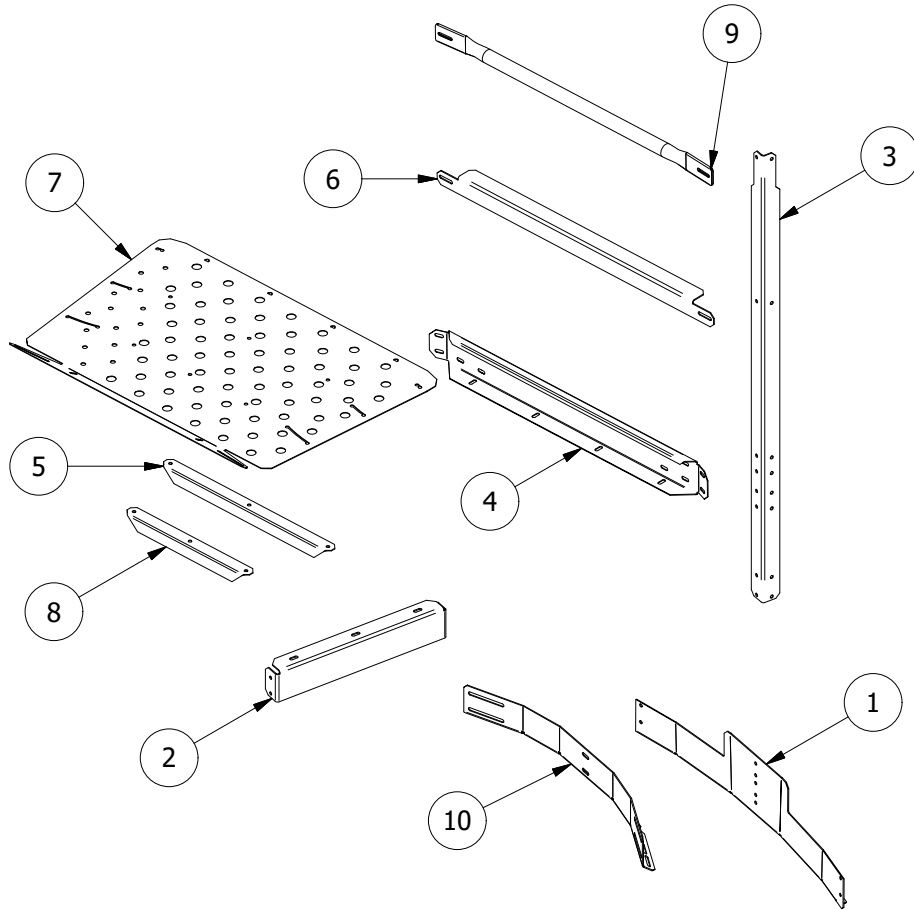
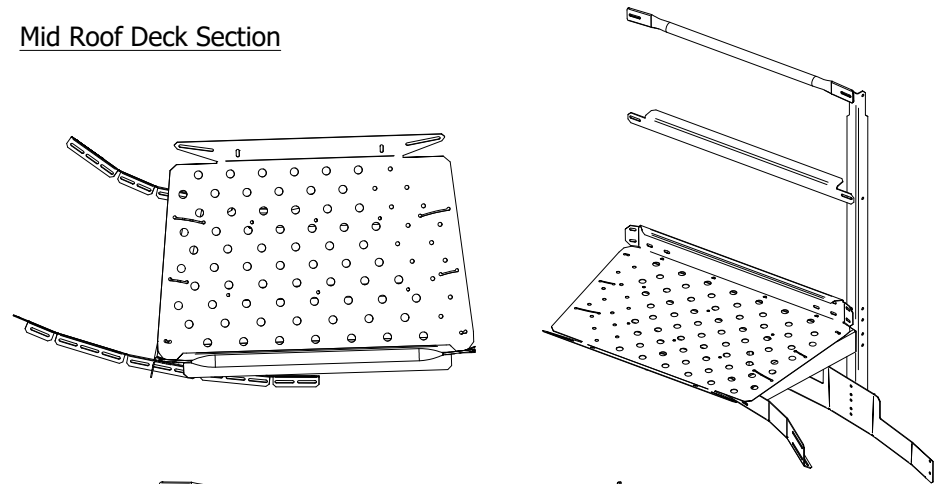


DRAWN Bill Huff	3/2/2015	Greene Galvanized Stairs	
CHECKED		217-375-4244 www.greenebinstairs.com	
QA		TITLE	
MFG		A-Series Roof Deck 12'-36' Diam.	
APPROVED		SIZE A	DWG NO ARD1236 deck section
		SCALE	REV 1
		SHEET 1 OF 4	

PARTS LIST

ITEM	QTY	PART NUMBER	DESCRIPTION
1	1	ARD-1001	Roof Deck Outer Ring Segment
2	1	ARD-1009	Deck Riser
3	1	ARD-1007	Deck Post
4	2	ARD-1021	A-Series Deck Outer Kickboard
5	1	ARD-1011	A-Series Inner Deck Brace
6	1	ARD-1025	Mid-Rail
7	1	ARD-1033	A-Series Inner Deck 12-36
8	1	ARD-1013	A-Series Short Inner Deck Brace
9	1	ARD-1224	Handrail
10	1	ARD-1004	Inner Ring 1236

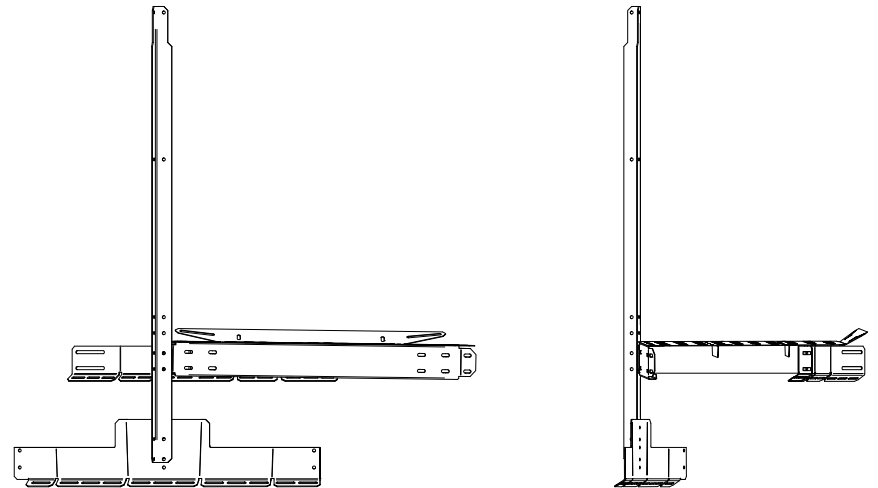
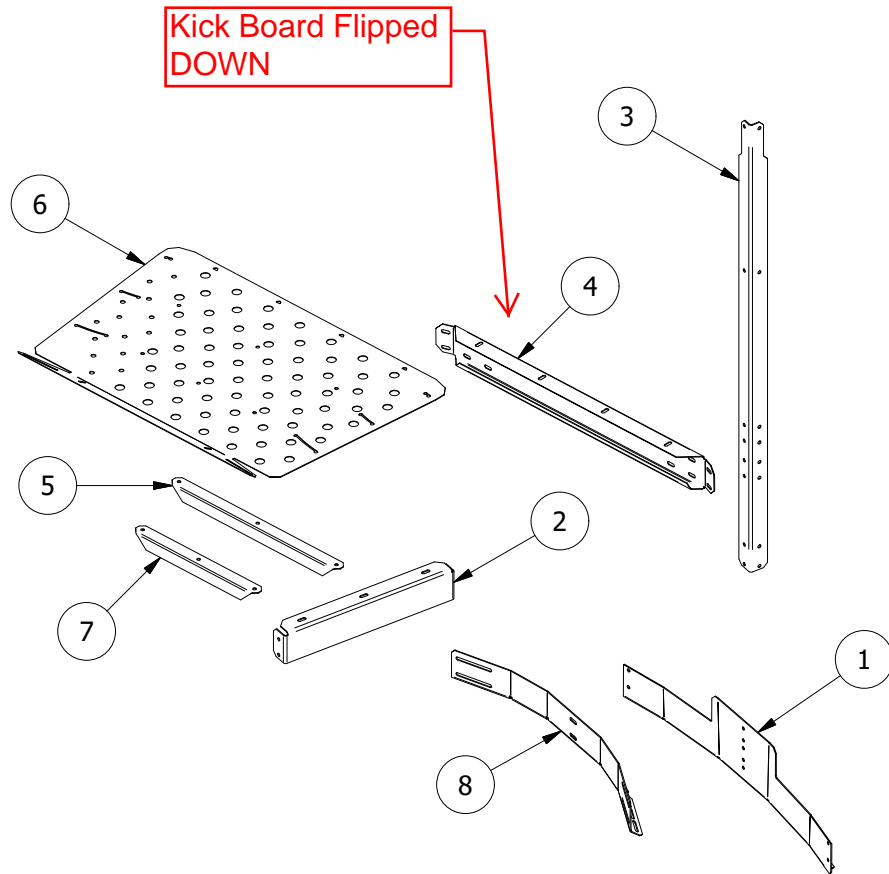
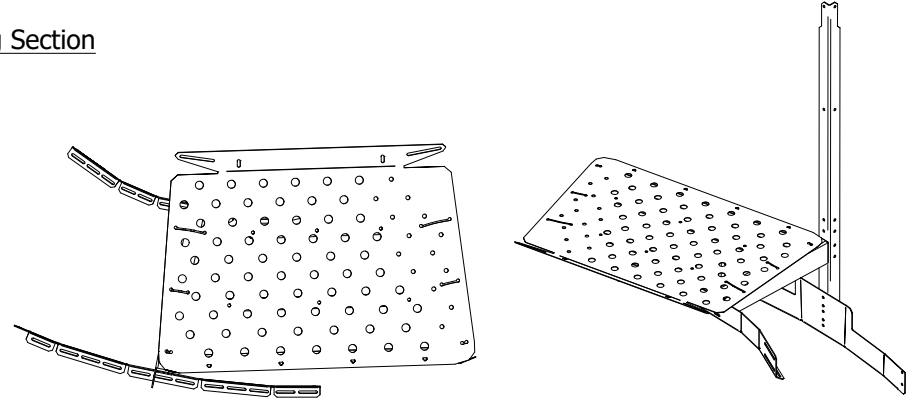
Mid Roof Deck Section



DRAWN Bill Huff	3/2/2015	Greene Galvanized Stairs	
CHECKED		217-375-4244 www.greenebinstairs.com	
QA		TITLE	
MFG		A-Series Roof Deck 12'-36' Diam.	
APPROVED		SIZE A	DWG NO ARD1236 deck section
		SCALE	REV 1
		SHEET 2 OF 4	

PARTS LIST			
ITEM	QTY	PART NUMBER	DESCRIPTION
1	1	ARD-1001	Roof Deck Outer Ring Segment
2	1	ARD-1009	Deck Riser
3	1	ARD-1007	Deck Post
4	2	ARD-1021	A-Series Deck Outer Kickboard
5	1	ARD-1011	A-Series Inner Deck Brace
6	1	ARD-1033	A-Series Inner Deck 12-36
7	1	ARD-1013	A-Series Short Inner Deck Brace
8	1	ARD-1004	Inner Ring 1236

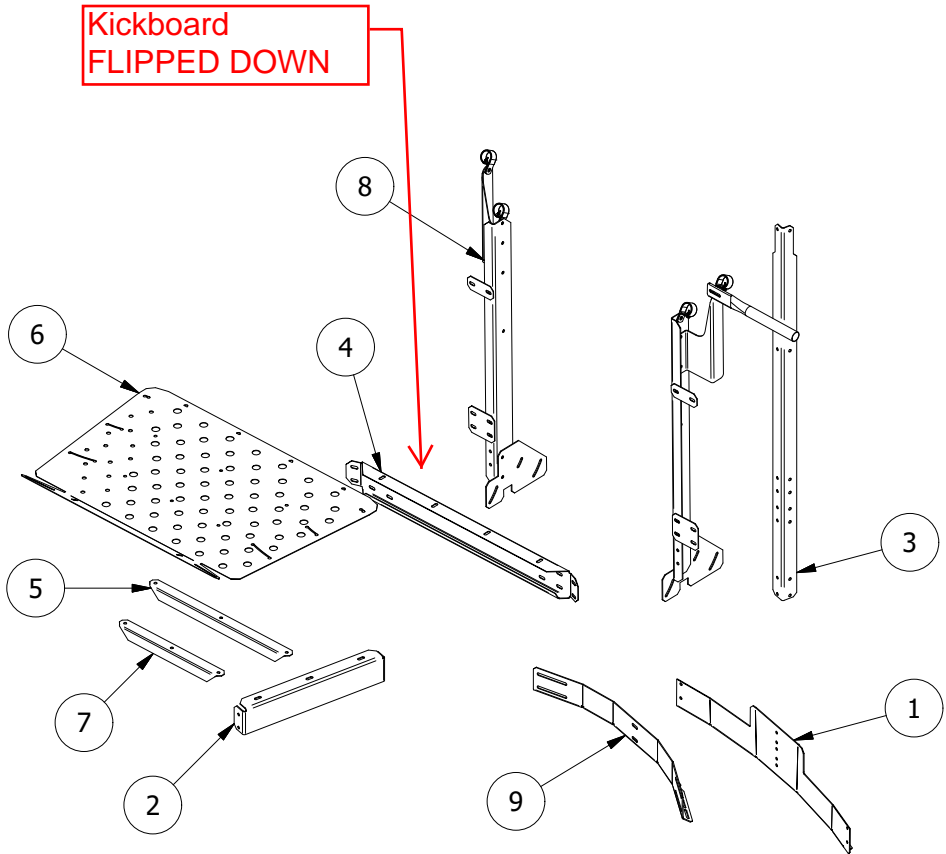
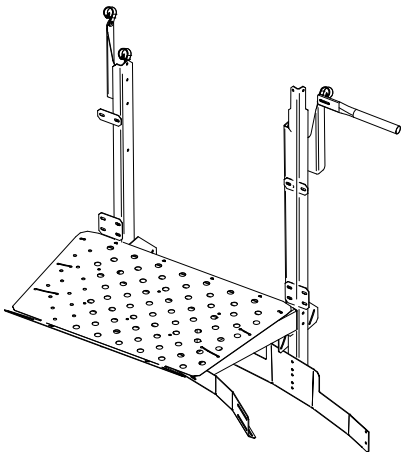
Landing Section



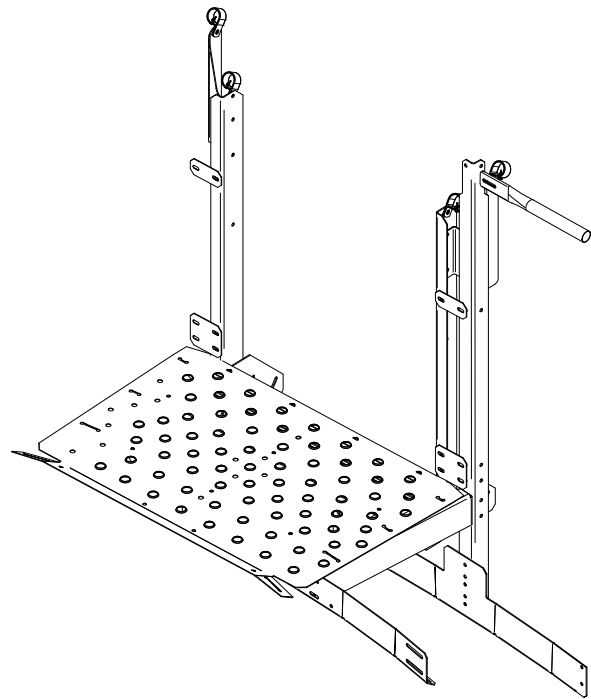
DRAWN Bill Huff	3/2/2015	Greene Galvanized Stairs	
CHECKED		217-375-4244 www.greenebinstairs.com	
QA		TITLE	
MFG		A-Series Roof Deck 12'-36' Diam.	
APPROVED		SIZE A	DWG NO ARD1236 deck section
		SCALE	REV 1
		SHEET 3 OF 4	

PARTS LIST			
ITEM	QTY	PART NUMBER	DESCRIPTION
1	1	ARD-1001	Roof Deck Outer Ring Segment
2	1	ARD-1009	Deck Riser
3	1	ARD-1007	Deck Post
4	2	ARD-1021	A-Series Deck Outer Kickboard
5	1	ARD-1011	A-Series Inner Deck Brace
6	1	ARD-1033	A-Series Inner Deck 12-36
7	1	ARD-1013	A-Series Short Inner Deck Brace
8	1	ARD0001	A-Series Roof Deck Entry Posts
9	1	ARD-1004	Inner Ring 1236

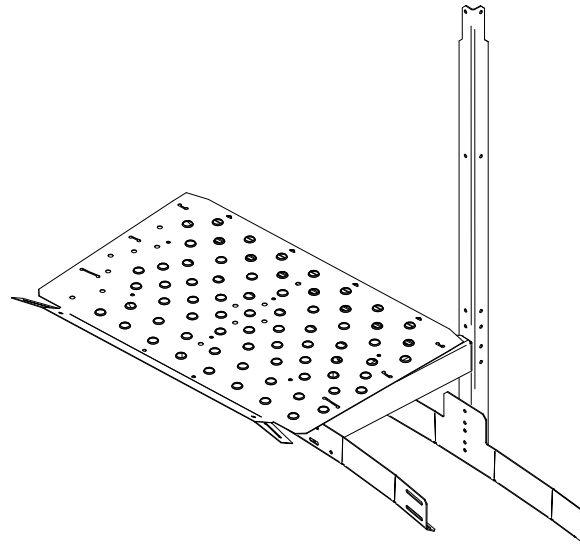
Entry Section



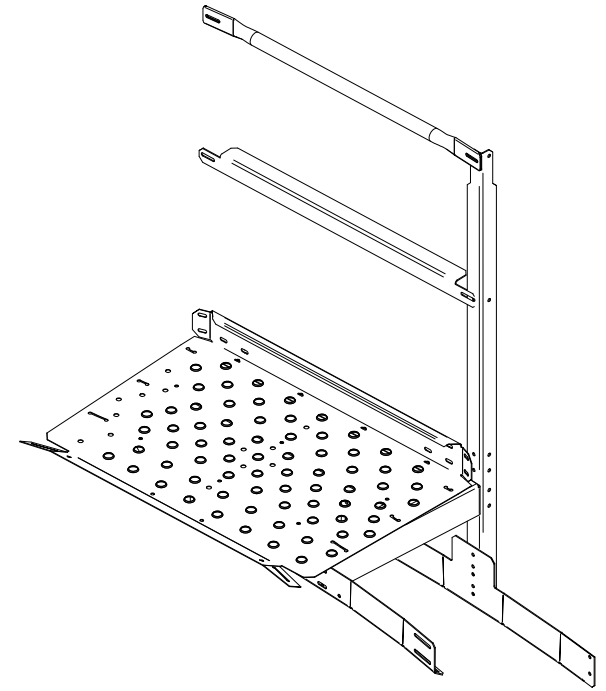
DRAWN Bill Huff	3/2/2015	Greene Galvanized Stairs	
CHECKED		217-375-4244 www.greenebinstairs.com	
QA		TITLE	
MFG		A-Series Roof Deck 12'-36' Diam.	
APPROVED		SIZE A	DWG NO ARD1236 deck section
		SCALE	REV 1
		SHEET 4 OF 4	



Entry Section



Landing Section



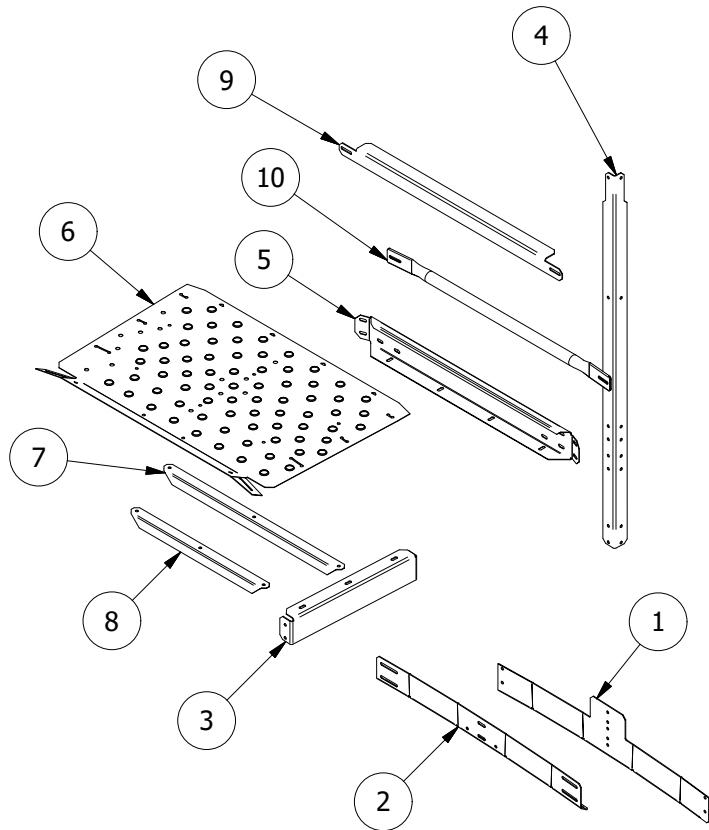
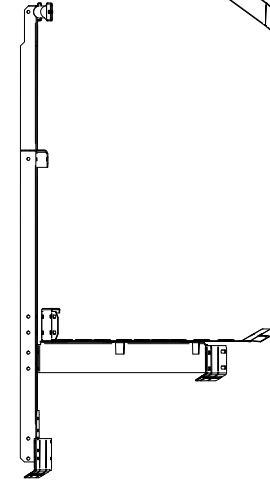
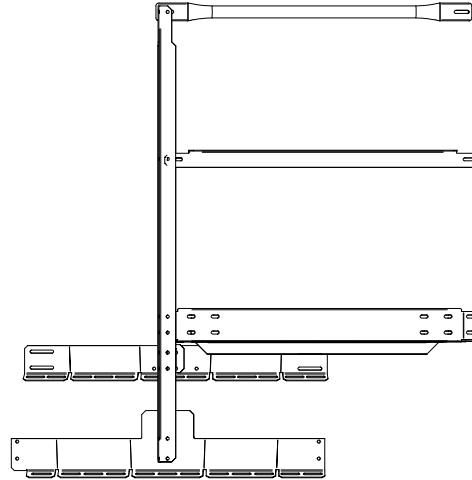
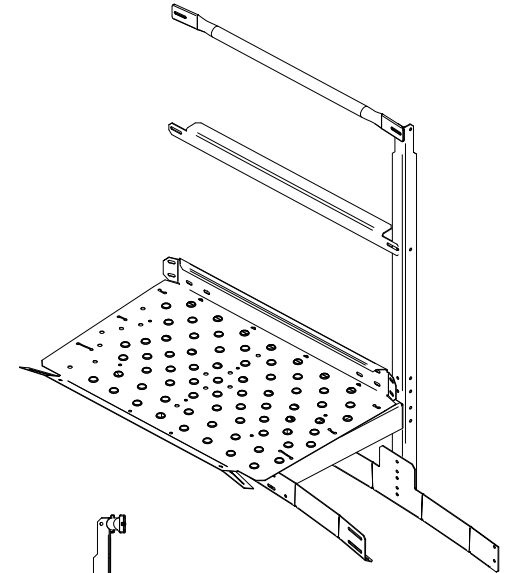
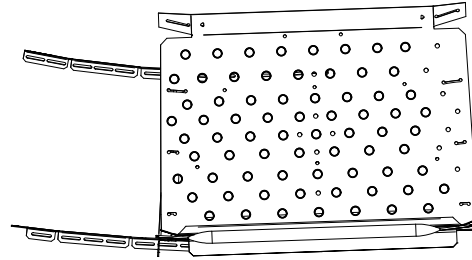
Mid Roof Deck Section



DRAWN Bill Huff	2/27/2015	Greene Galvanized Stairs		
CHECKED		217-375-4244 www.greenebinstairs.com		
QA		TITLE		
MFG		A-SERIES ROOF DECK 24'-80' DIAM.		
APPROVED		SIZE	DWG NO	REV
		A	ARD2480 deck section	1
		SCALE	SHEET 1 OF 4	

PARTS LIST		
ITEM	QTY	PART NUMBER
1	1	ARD-1001 outer ring
2	1	ARD-1003 inner ring mid
3	1	ARD-1009
4	1	ARD-1007
5	2	ARD-1021
6	1	ARD-1032 mid deck
7	1	ARD-1012
8	1	ARD-1011
9	1	ARD-1025
10	1	ARD-1024

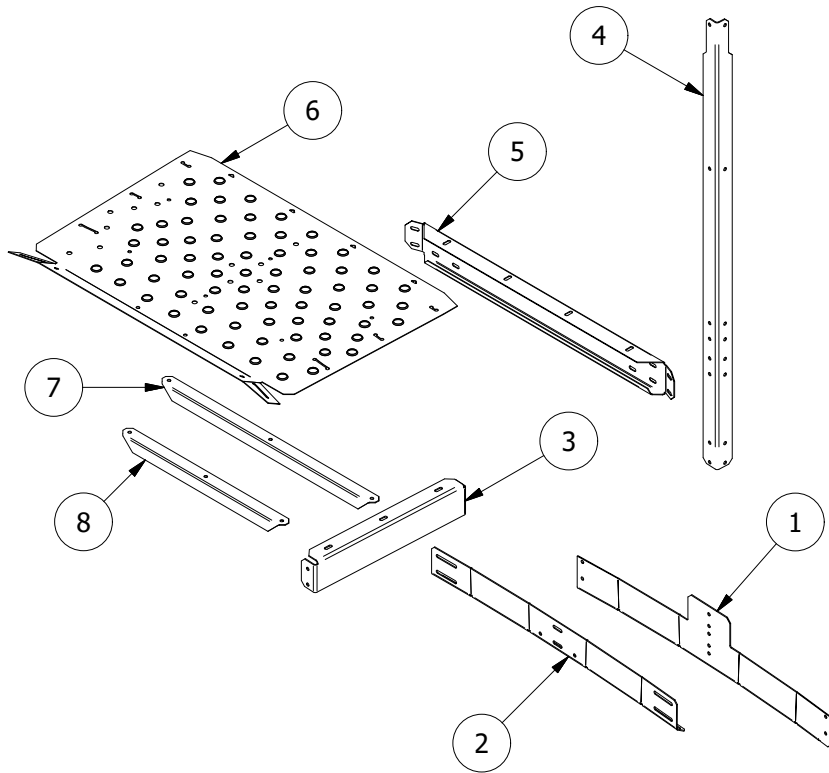
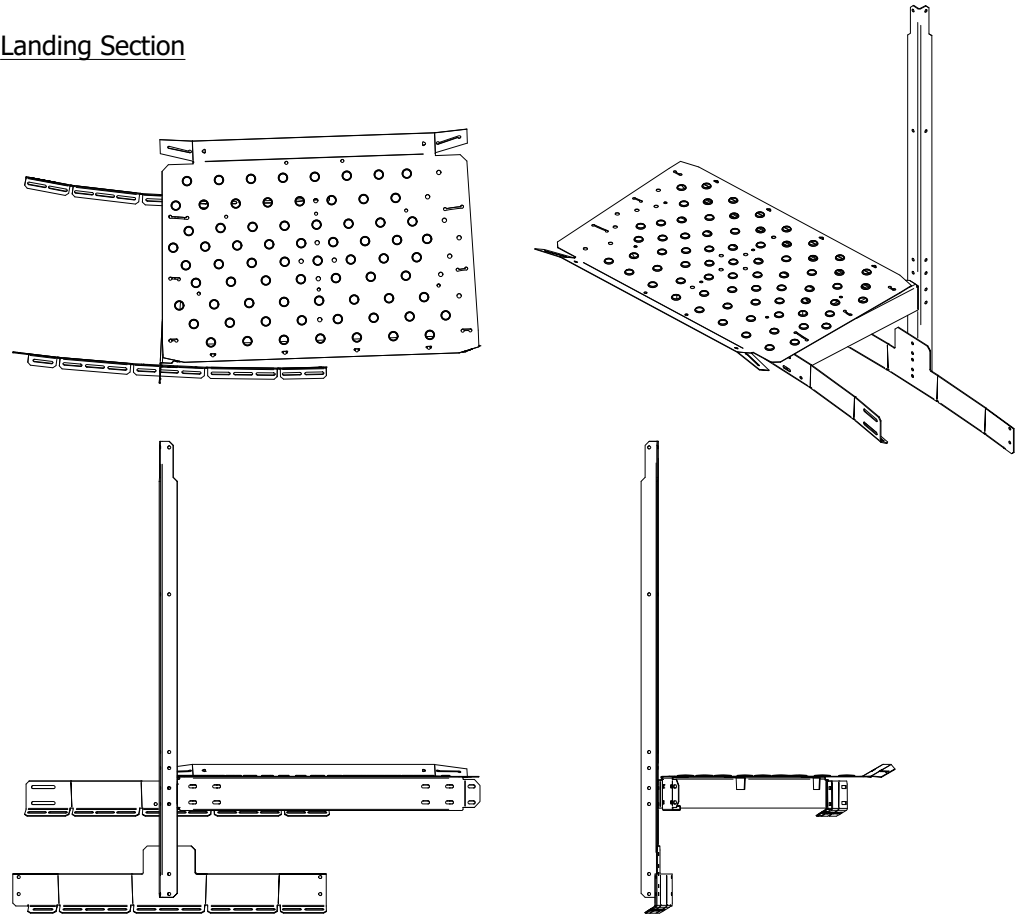
Mid Roof Deck Section



DRAWN Bill Huff	2/27/2015	Greene Galvanized Stairs	
CHECKED		217-375-4244 www.greenebinstairs.com	
QA		TITLE	
MFG		A-SERIES ROOF DECK 24'-80' DIAM.	
APPROVED		SIZE A	DWG NO ARD2480 deck section
		SCALE	REV 1
		SHEET 2 OF 4	

PARTS LIST		
ITEM	QTY	PART NUMBER
1	1	ARD-1001 outer ring
2	1	ARD-1003 inner ring mid
3	1	ARD-1009
4	1	ARD-1007
5	2	ARD-1021
6	1	ARD-1032 mid deck
7	1	ARD-1012
8	1	ARD-1011

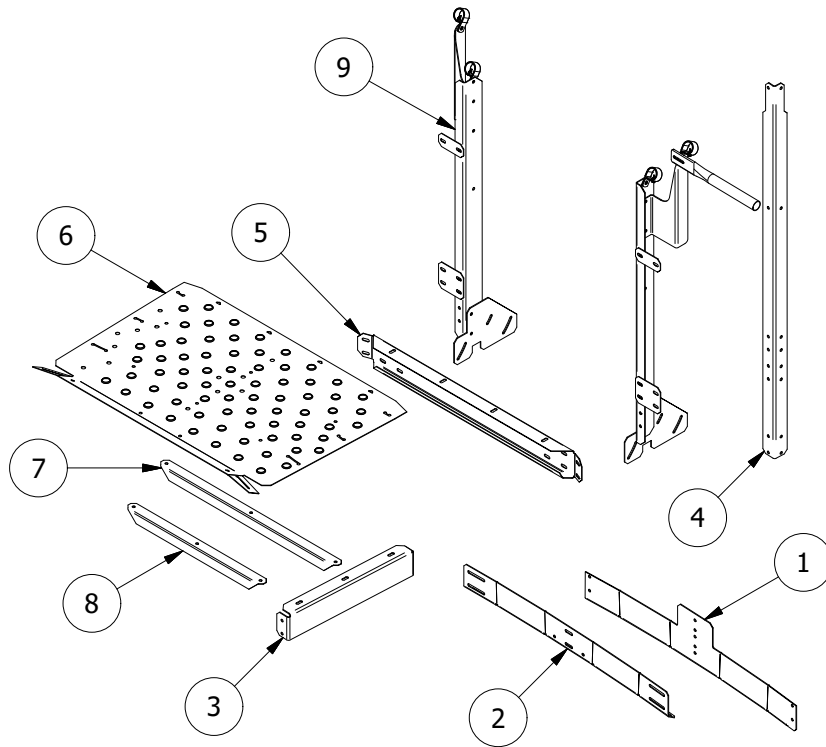
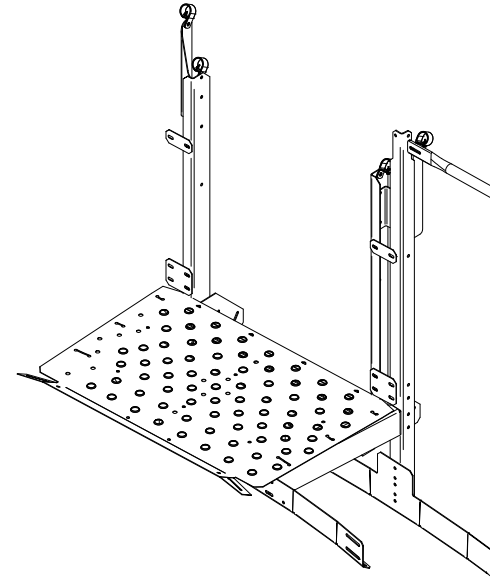
Landing Section



DRAWN Bill Huff	2/27/2015	Greene Galvanized Stairs	
CHECKED		217-375-4244 www.greenebinstairs.com	
QA		TITLE	
MFG		A-SERIES ROOF DECK 24'-80' DIAM.	
APPROVED		SIZE A	DWG NO ARD2480 deck section
		SCALE	REV 1
		SHEET 3 OF 4	

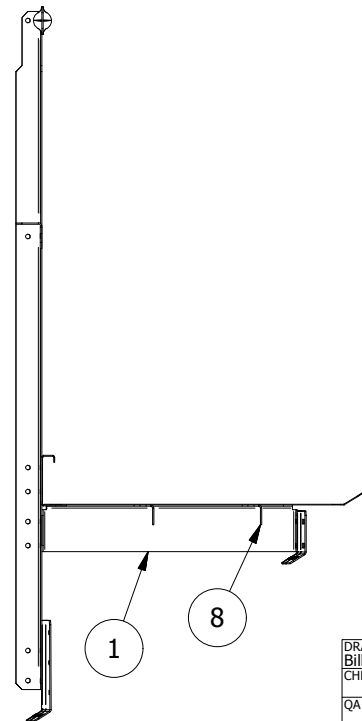
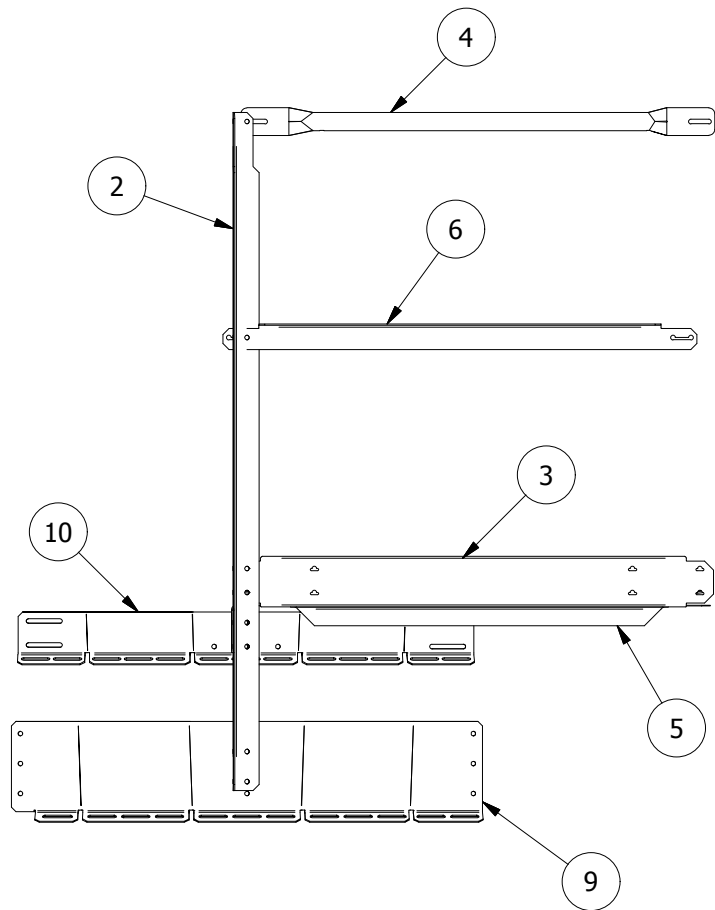
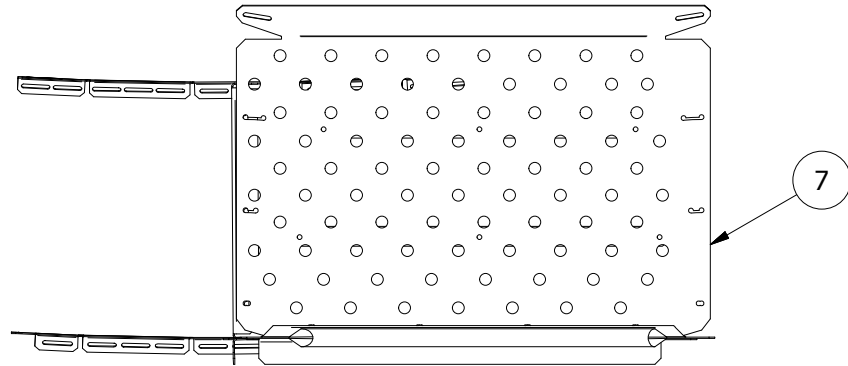
PARTS LIST - ENTRY SECTION ASSY		
ITEM	QTY	PART NUMBER
1	1	ARD-1001 outer ring
2	1	ARD-1003 inner ring mid
3	1	ARD-1009
4	1	ARD-1007
5	2	ARD-1021
6	1	ARD-1032 mid deck
7	1	ARD-1012
8	1	ARD-1011
9	1	ARD0001 Entry

Entry Section

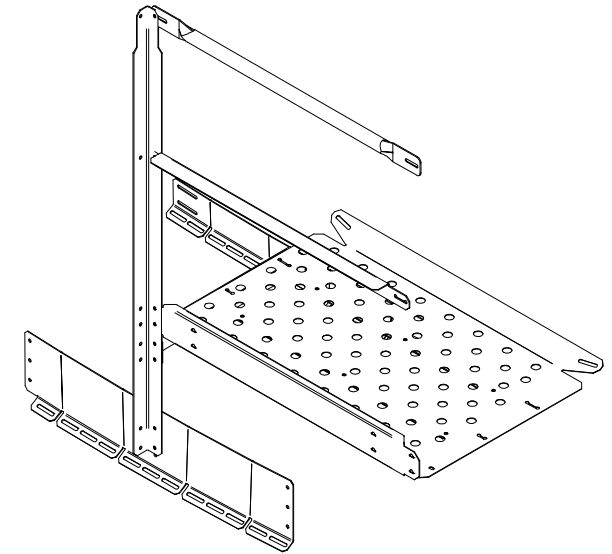


DRAWN Bill Huff	2/27/2015	Greene Galvanized Stairs	
CHECKED		217-375-4244 www.greenebinstairs.com	
QA		TITLE	
MFG		A-SERIES ROOF DECK 24'-80' DIAM.	
APPROVED		SIZE A	DWG NO ARD2480 deck section
		SCALE	REV 1
		SHEET 4 OF 4	

Assembled View

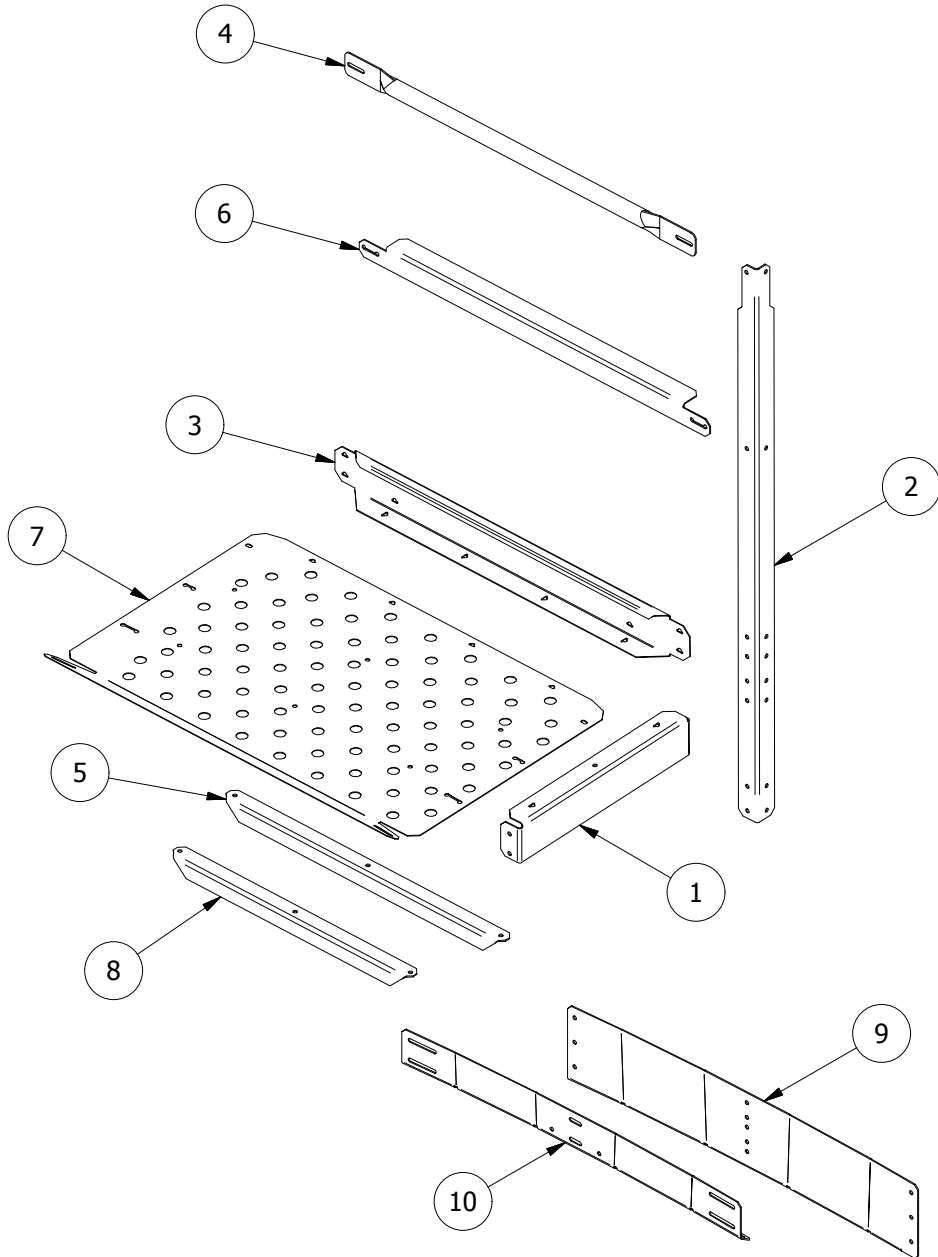


PARTS LIST		
ITEM	QTY	PART NUMBER
1	1	ARD-1009 riser
2	1	ARD-1007 Post
3	1	ARD-1021 kickboard
4	1	ARD-1024 handrail
5	1	ARD-1012 long deck brace
6	1	ARD-1025 midrail
7	1	ARD-1034 deck outer
8	1	ARD-1010 outer deck brace
9	1	ARD-1001 outer ring
10	1	ARD-1003 inner ring mid

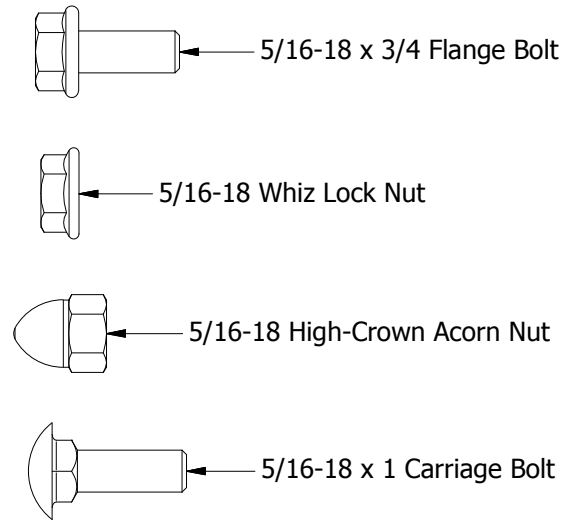


DRAWN Bill Huff	3/10/2015	Greene Galvanized Stairs	
CHECKED		217-375-4244 www.greenebinstairs.com	
QA		TITLE	
MFG		A-Series Roof Deck	
APPROVED		SIZE A	DWG NO ARD6018 deck section
		SCALE	REV 1
		SHEET 1 OF 3	

Exploded View



PARTS LIST		
ITEM	QTY	PART NUMBER
1	1	ARD-1009 riser
2	1	ARD-1007 Post
3	1	ARD-1021 kickboard
4	1	ARD-1024 handrail
5	1	ARD-1012 long deck brace
6	1	ARD-1025 midrail
7	1	ARD-1034 deck outer
8	1	ARD-1010 outer deck brace
9	1	ARD-1001 outer ring
10	1	ARD-1003 inner ring mid

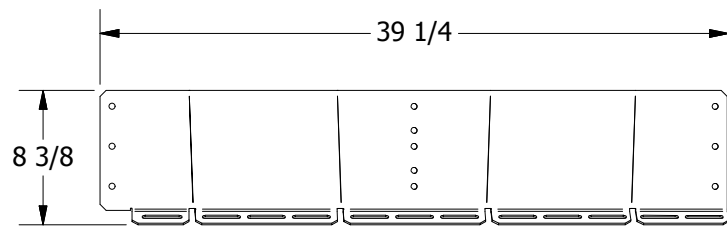


5/16 x 1 carriage bolt, flange nut, and acorn nut used on top handrail.

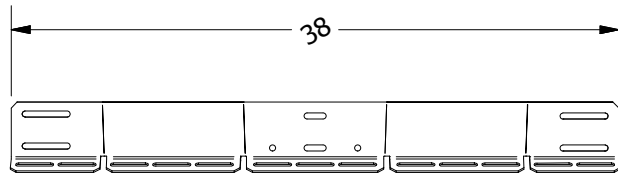
5/16 x 3/4 flange bolt and flange nut used on all other connections.



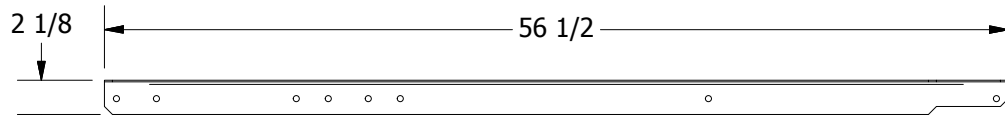
DRAWN Bill Huff	3/10/2015	Greene Galvanized Stairs	
CHECKED		217-375-4244 www.greenebinstairs.com	
QA		TITLE	
MFG		A-Series Roof Deck	
APPROVED		SIZE A	DWG NO ARD6018 deck section
		SCALE	REV 1
		SHEET 2 OF 3	



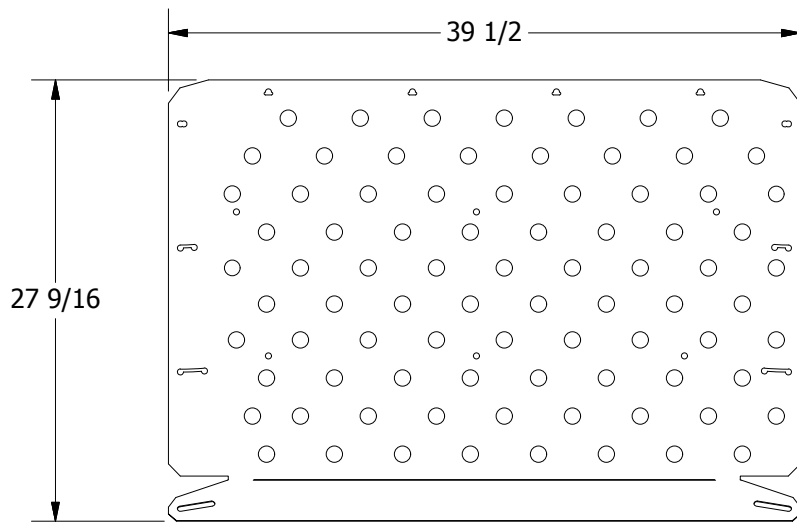
ARD-1001 outer ring



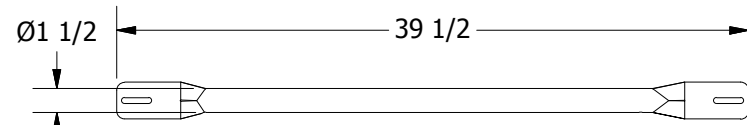
ARD-1003 inner ring mid



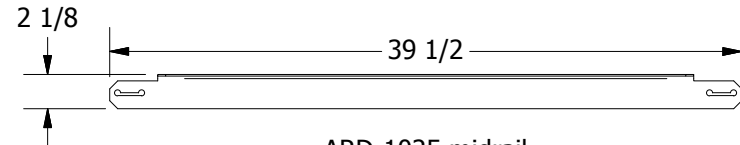
ARD-1007 Post



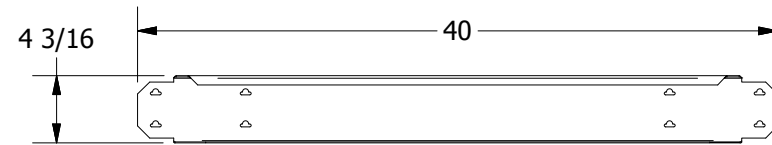
ARD-1034 deck outer



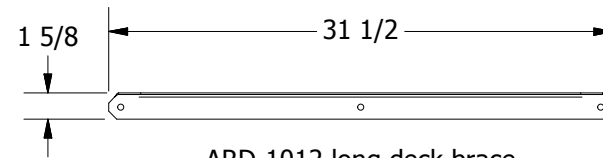
ARD-1024 handrail



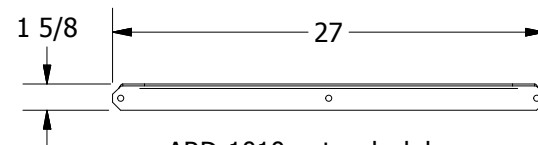
ARD-1025 midrail



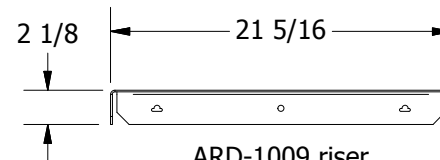
ARD-1021 kickboard



ARD-1012 long deck brace



ARD-1010 outer deck brace

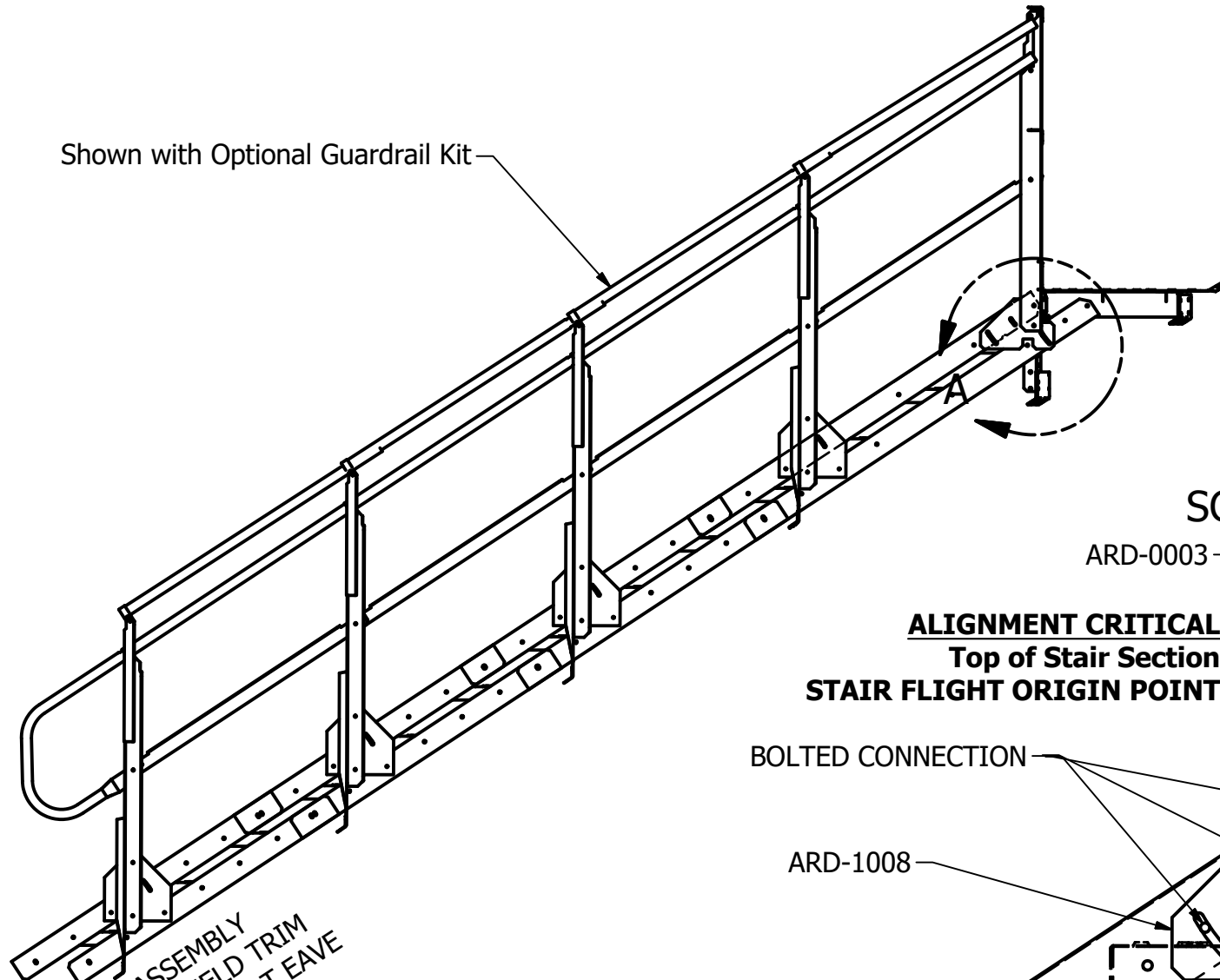


ARD-1009 riser



DRAWN Bill Huff	3/10/2015	Greene Galvanized Stairs	
CHECKED		217-375-4244 www.greenebinstairs.com	
QA		TITLE	
MFG		A-Series Roof Deck	
APPROVED		SIZE A	DWG NO ARD6018 deck section
		SCALE	REV 1
		SHEET 3 OF 3	

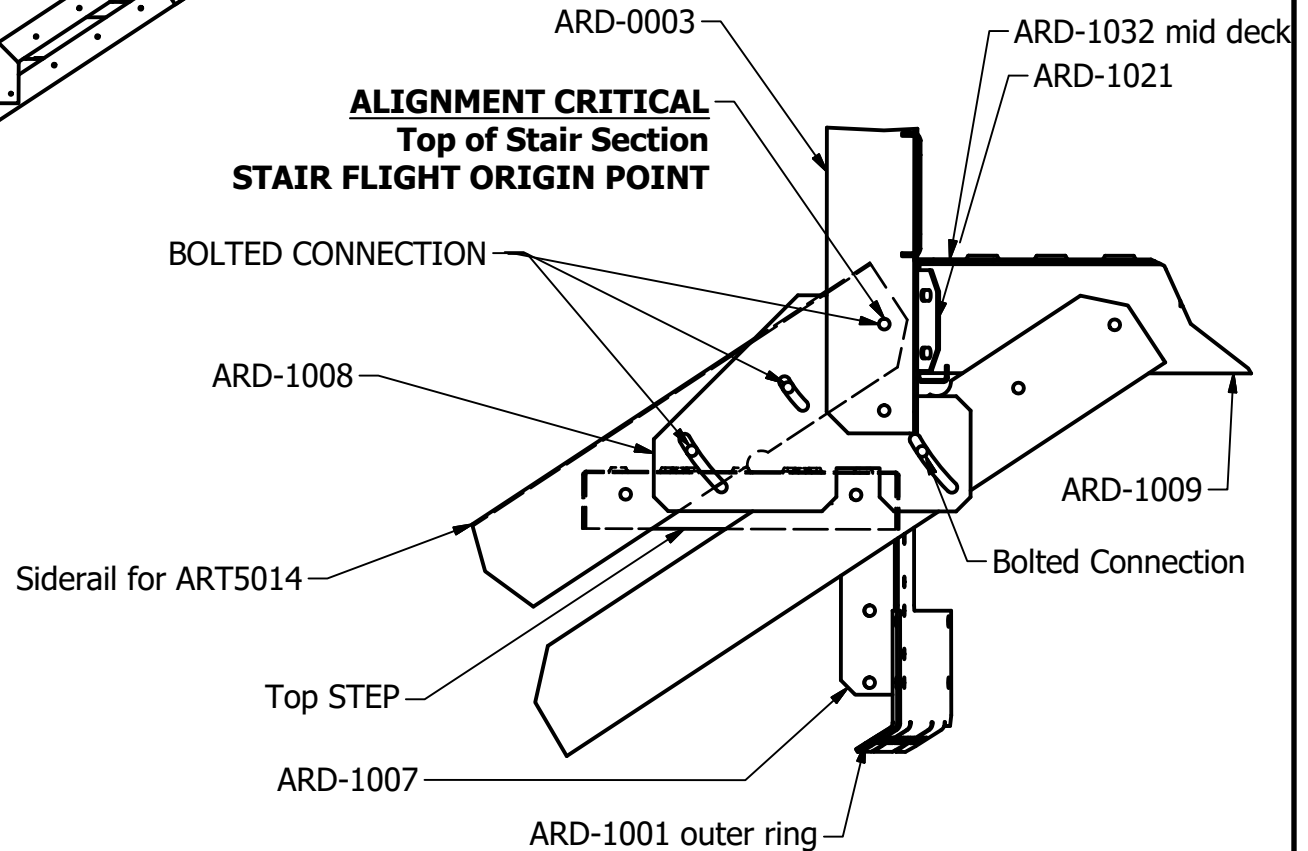
Shown with Optional Guardrail Kit

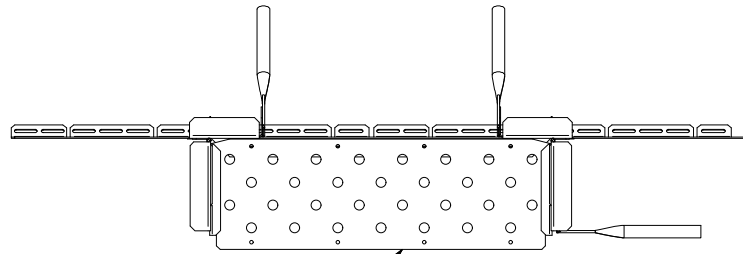
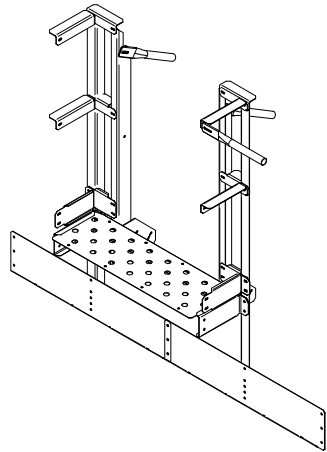


TOP DOWN ASSEMBLY
MAY NEED TO FIELD TRIM
BOTTOM OF STAIR AT EAVE
PLATFORM
PLEASE ALLOW 1/2 TO 1
FULL STEP BEYOND EAVE

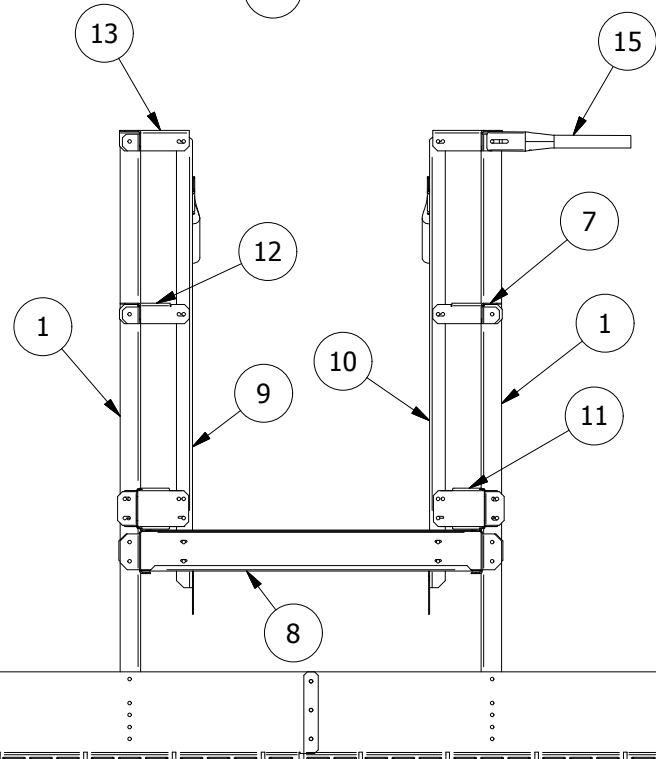
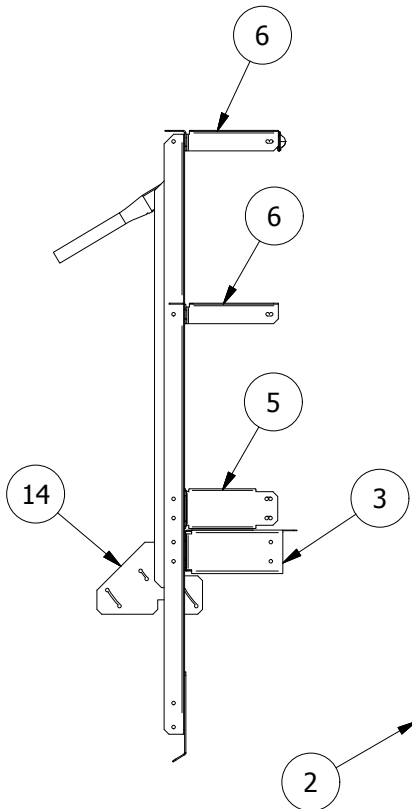
DETAIL A
SCALE 0.15 : 1

ALIGNMENT CRITICAL
Top of Stair Section
STAIR FLIGHT ORIGIN POINT





4

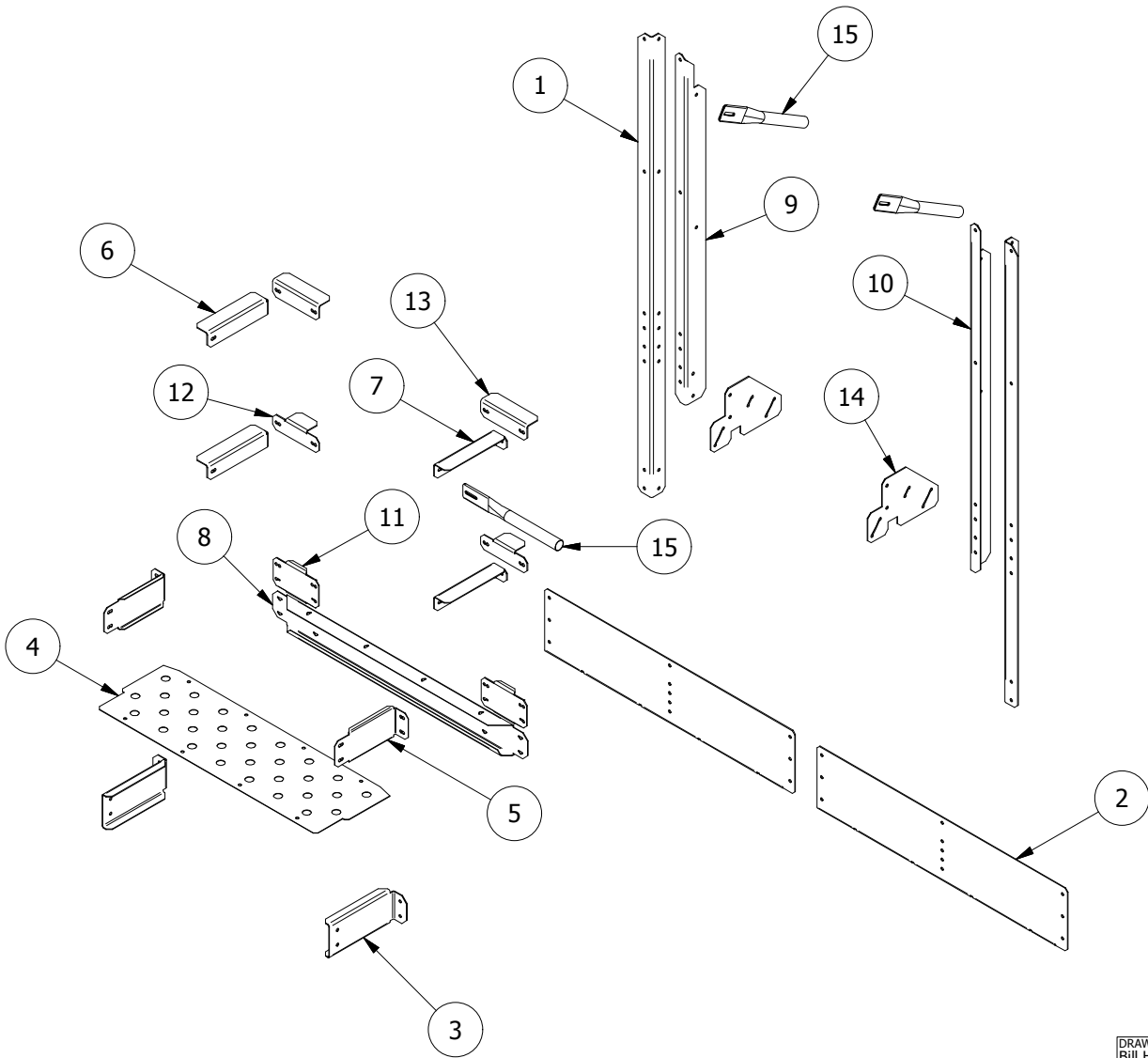


PARTS LIST		
ITEM	QTY	PART NUMBER
1	2	ARD-0002 Post
2	2	ARD-0001 mount
3	2	ARD-0005 riser
4	1	ARD-0010 deck
5	2	ARD-0011 side kickboard
6	2	ARD-0012 handrail end right
7	2	ARD-0013 handrail end left
8	1	ARD-1021 kickboard
9	1	ARD-0003 entry right
10	1	ARD-0004 entry left
11	2	ARD-0014 entry kickboard
12	2	ARD-0016 entry midrail
13	2	ARD-0015 handrail entry
14	2	ARD-1008 leveling plate
15	3	ARD-0020 handrail stub

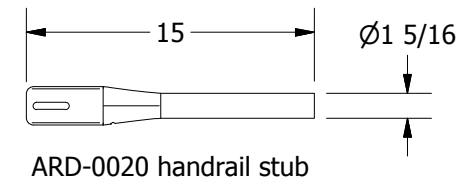
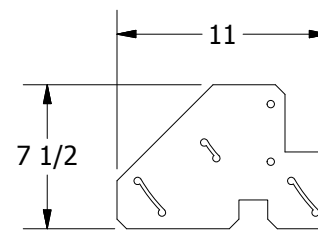
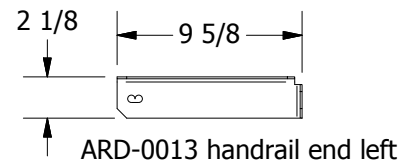
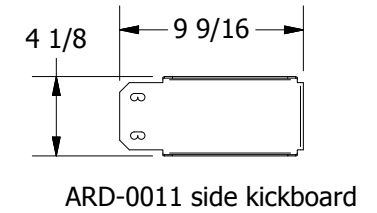
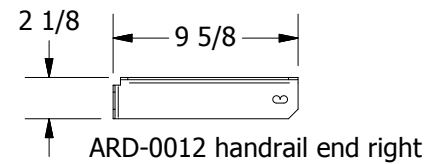
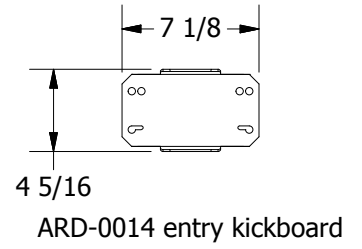
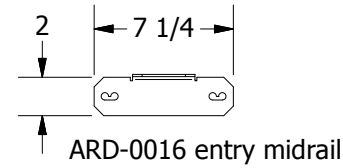
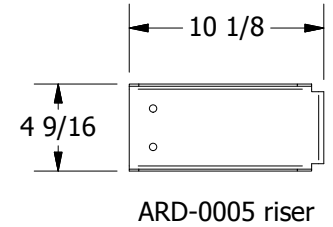
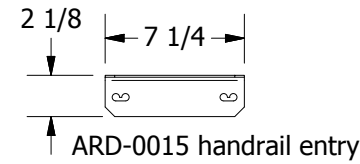
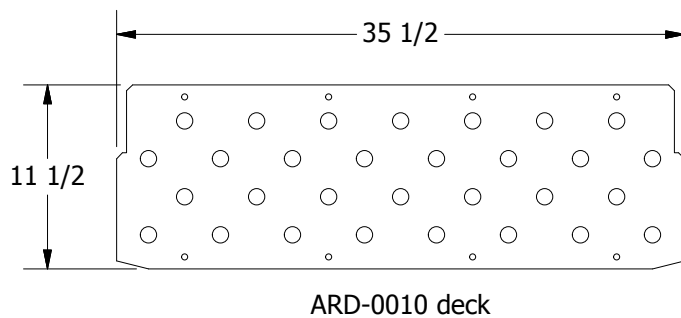
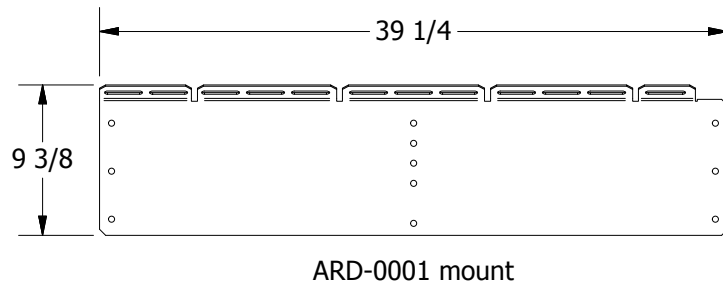
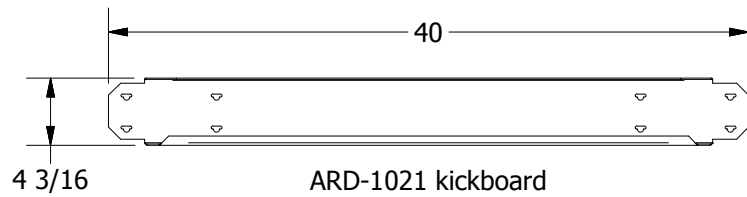
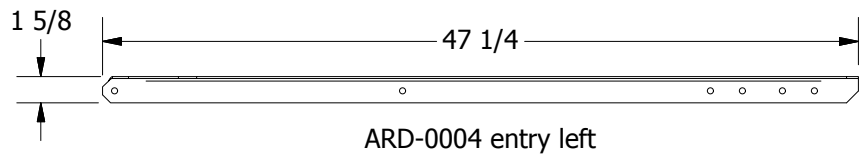
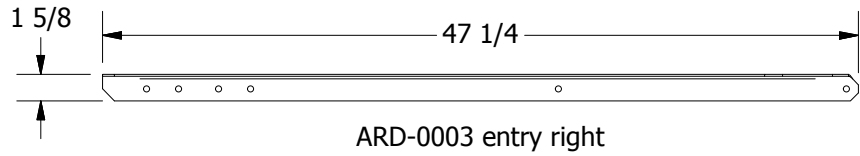
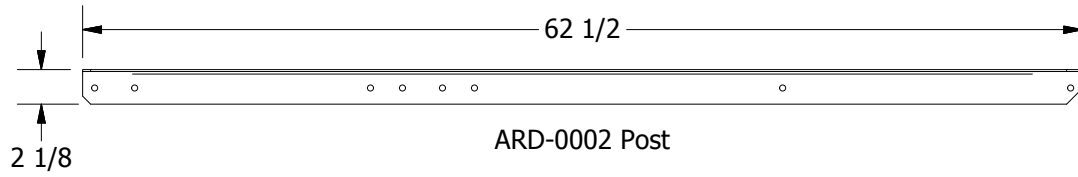


DRAWN Bill Huff	3/10/2015	Greene Galvanized Stairs	
CHECKED		217-375-4244 www.greenebinstairs.com	
QA		TITLE	
MFG		A-Series Base Landing Deck	
APPROVED		SIZE A	DWG NO ARD0010 base landing
		SCALE	REV 1
		SHEET 1 OF 3	

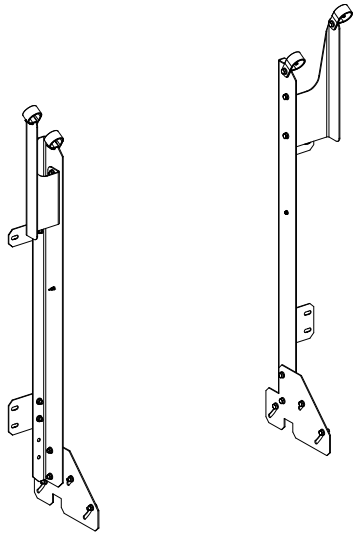
PARTS LIST		
ITEM	QTY	PART NUMBER
1	2	ARD-0002 Post
2	2	ARD-0001 mount
3	2	ARD-0005 riser
4	1	ARD-0010 deck
5	2	ARD-0011 side kickboard
6	2	ARD-0012 handrail end right
7	2	ARD-0013 handrail end left
8	1	ARD-1021 kickboard
9	1	ARD-0003 entry right
10	1	ARD-0004 entry left
11	2	ARD-0014 entry kickboard
12	2	ARD-0016 entry midrail
13	2	ARD-0015 handrail entry
14	2	ARD-1008 leveling plate
15	3	ARD-0020 handrail stub



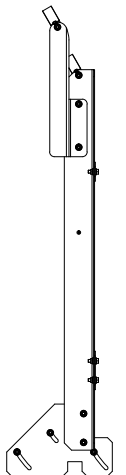
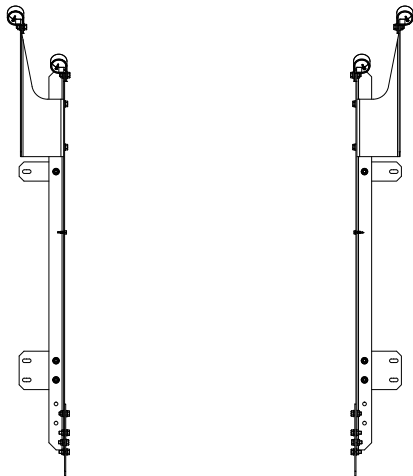
DRAWN Bill Huff	3/10/2015	Greene Galvanized Stairs	
CHECKED		217-375-4244 www.greenebinstairs.com	
QA		TITLE	
MFG		A-Series Base Landing Deck	
APPROVED		SIZE A	DWG NO ARD0010 base landing
		SCALE	REV 1
		SHEET 2 OF 3	



DRAWN Bill Huff	3/10/2015	Greene Galvanized Stairs	
CHECKED		217-375-4244 www.greenebinstairs.com	
QA		TITLE	
MFG		A-Series Base Landing Deck	
APPROVED		SIZE A	REV 1
		SCALE	DWG NO ARD0010 base landing
			SHEET 3 OF 3



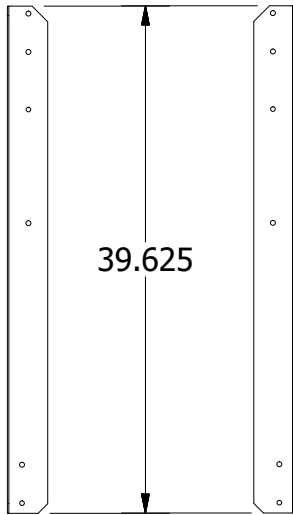
ARD0001 Assembly Instructions Greene Galvanized Stairs



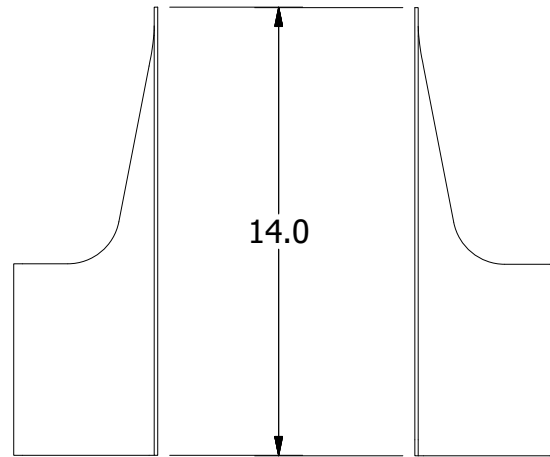
Parts List

PARTS LIST		
PART NUMBER	DESCRIPTION	QTY
ARD-0003	A-Series Right Entry Post	1
ARD-0004	A-Series Left Entry Post	1
ARD-1008	Entry Leveling Plate	2
5/16-18x3/4FB	5/16"-18 x 3/4" Flange Bolt	24
5/16-18SFN	5/16"-18 Whiz Lock Nut	24
ARD-0021	Entry Kickboard	2
ARD-0022	Entry Mid-Rail	2
ARD-0007	Right Guardrail Bracket	1
ARD-0008	Left Guardrail Bracket	1
HRC1500	1.5" Handrail P-Clamp	4
Floor Screw	Self-Tapping Floor Screw	6

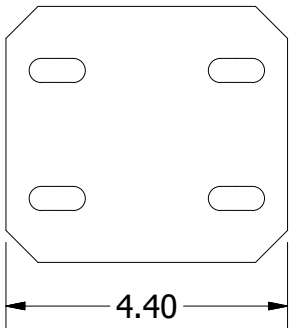
ARD-0004 ARD-0003



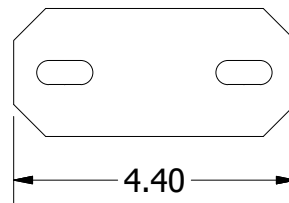
ARD-0007 ARD-0008



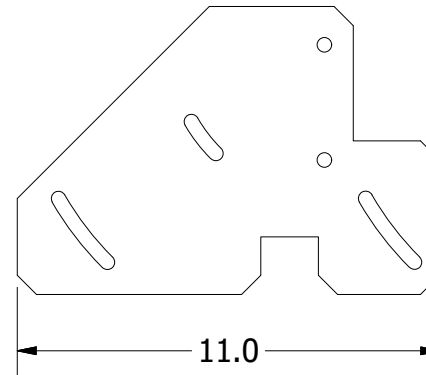
ARD-0021



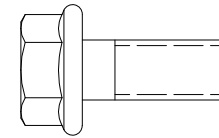
ARD-0022



ARD-1008

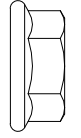


5/16-18x3/4FB



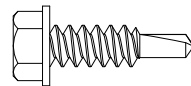
1:1

5/16-18SFN



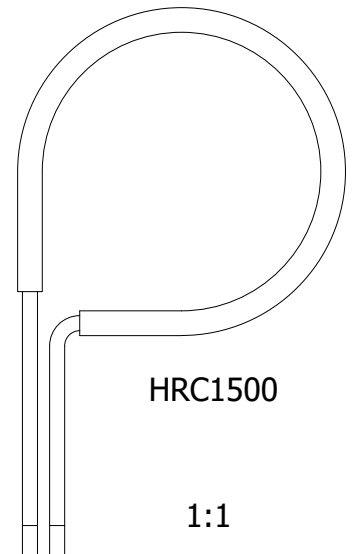
1:1

Floor Screw



1:1

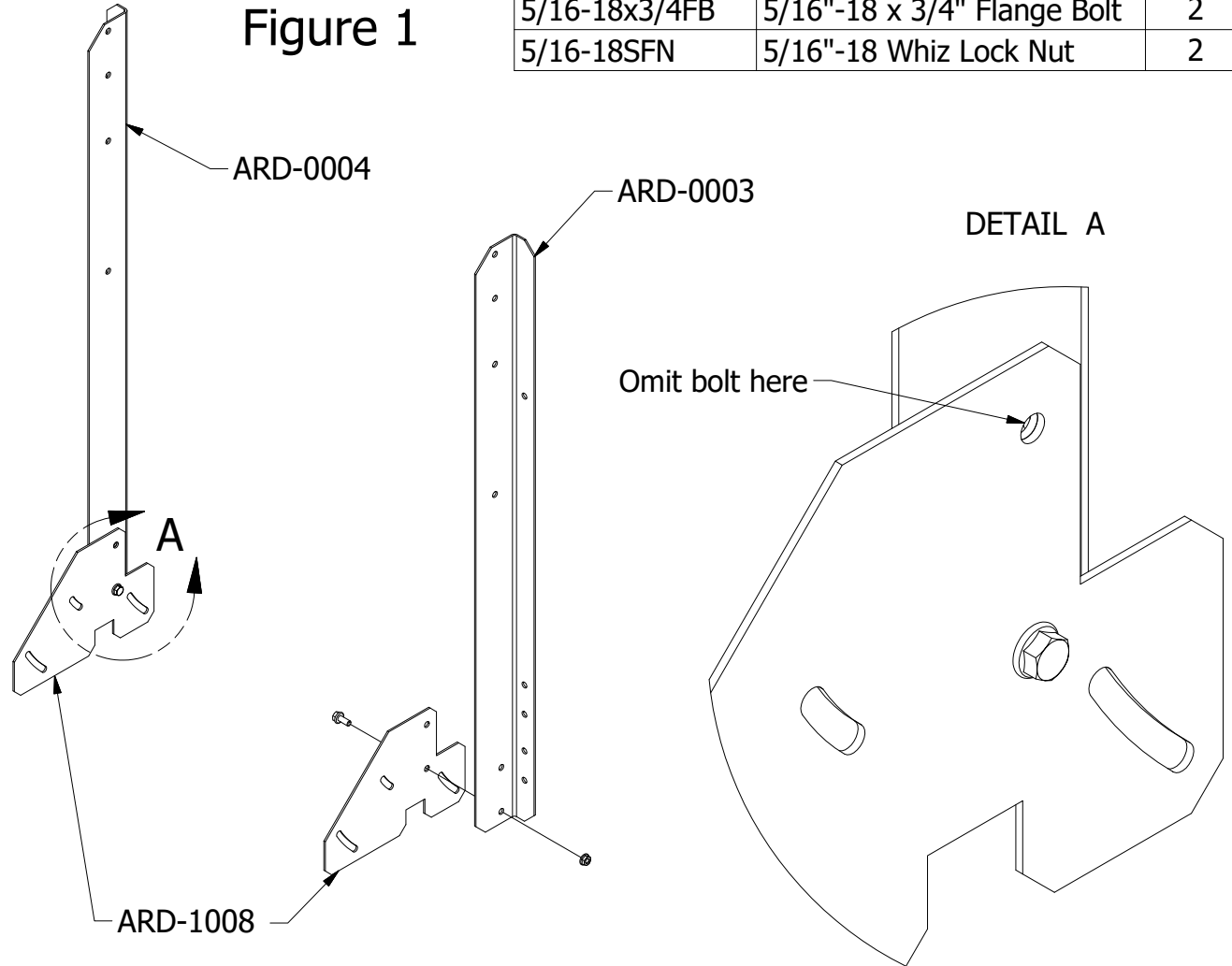
HRC1500



1:1

Step 1

1. Connect an ARD-0003 Right Post to an ARD-1008 Entry Leveling Plate using one (1) 5/16" Flange Bolt and one (1) 5/16" Lock Nut, as shown in Figure 1 and Detail A. The bolt will go through the bottom hole on the post and the plate. A second bolt will be added later.
2. Repeat for the Left Entry Post, using ARD-0004 and the other ARD-1008.



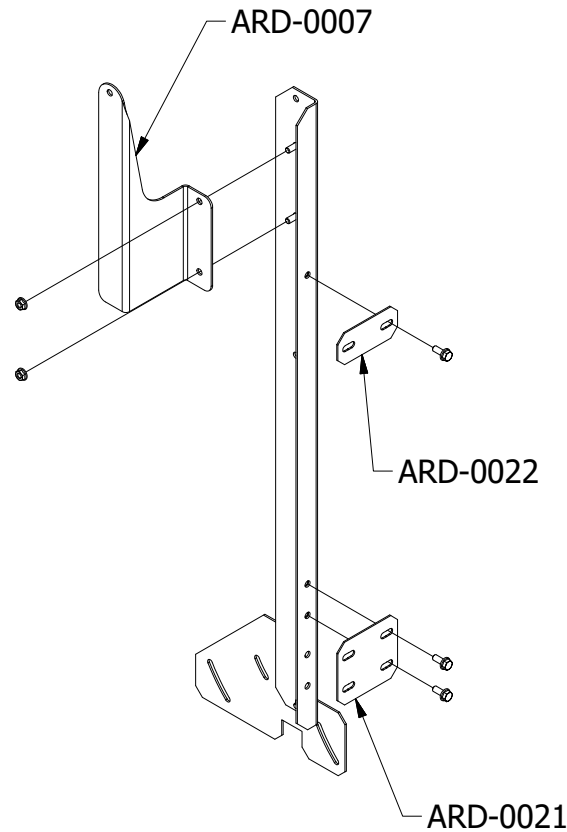
PARTS USED IN STEP 1		
PART NUMBER	DESCRIPTION	QTY
ARD-0003	A-Series Right Entry Post	1
ARD-0004	A-Series Left Entry Post	1
ARD-1008	Entry Leveling Plate	2
5/16-18x3/4FB	5/16"-18 x 3/4" Flange Bolt	2
5/16-18SFN	5/16"-18 Whiz Lock Nut	2

DRAWN Marcus Wilmsmeyer	3/19/2019	Greene Galvanized Stairs East Lynn, IL 217.375.4244 www.greenebinstairs.com	
CHECKED		TITLE A-Series Entry Post Assembly Instructions	
QA		SIZE A	DWG NO IN-ARD0001
MFG		SCALE 1/10	REV
APPROVED		SHEET 3 OF 6	

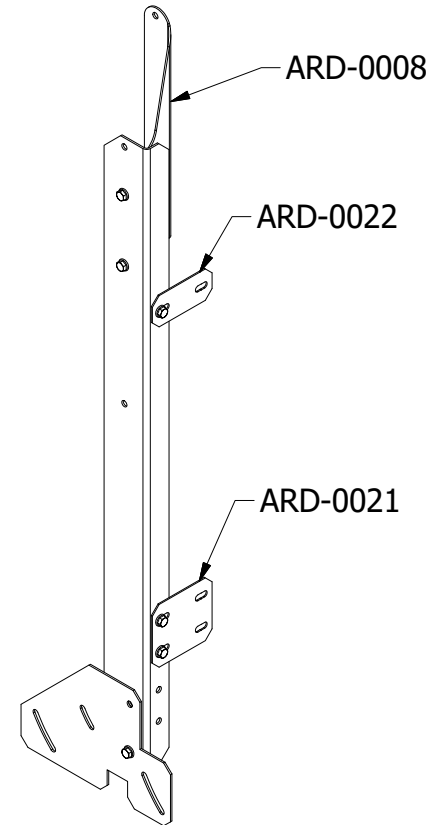
Step 2

1. Place the two (2) ARD-0022 Mid-Rails and the two (2) ARD-0021 Kickboards on the ARD-0003 and ARD-0004 posts as shown in Figure 2. Secure them in place using six (6) 5/16" Flange Bolts and six (6) 5/16" Lock Nuts.
2. Place the ARD-0007 Guardrail Bracket onto the right post (ARD-0003) as shown in Figure 2. Secure in place using two (2) 5/16" Flange Bolts and two (2) 5/16" Lock Nuts.
3. Place the ARD-0008 Guardrail Bracket onto the left post (ARD-0004) as shown in Figure 2. Secure in place using two (2) 5/16" Flange Bolts and two (2) 5/16" Lock Nuts.

Figure 2



PARTS USED IN STEP 2		
PART NUMBER	DESCRIPTION	QTY
5/16-18x3/4FB	5/16"-18 x 3/4" Flange Bolt	10
5/16-18SFN	5/16"-18 Whiz Lock Nut	10
ARD-0021	Entry Kickboard	2
ARD-0022	Entry Mid-Rail	2
ARD-0007	Right Guard Rail Bracket	1
ARD-0008	Left Guard Rail Bracket	1



DRAWN Marcus Wilmsmeyer	3/19/2019	Greene Galvanized Stairs East Lynn, IL 217.375.4244 www.greenebinstairs.com	
CHECKED		TITLE A-Series Entry Post Assembly Instructions	
QA		SIZE A	DWG NO IN-ARD0001
MFG		SCALE 1/10	REV
APPROVED		SHEET 4 OF 6	

Step 3

1. Take the four (4) 1.5" Handrail clamps and place them on the assembly as shown in Figure 3. Secure in place using four (4) 5/16" Flange Bolts and four (4) 5/16" Lock Nuts.

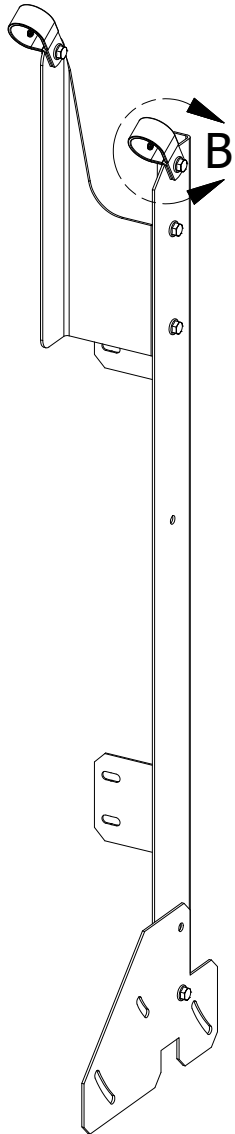
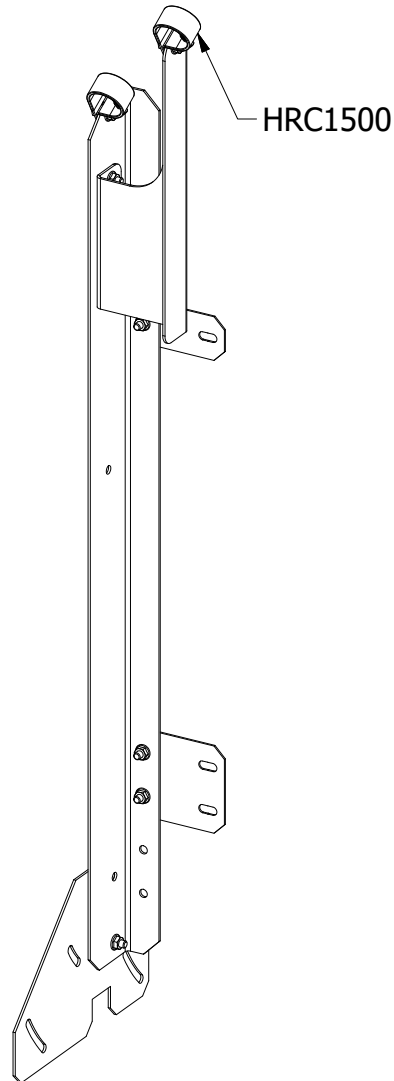
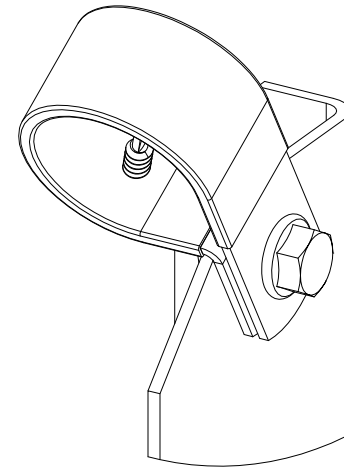


Figure 3



PARTS LIST		
PART NUMBER	DESCRIPTION	QTY
5/16-18x3/4FB	5/16"-18 x 3/4" Flange Bolt	4
5/16-18SFN	5/16"-18 Whiz Lock Nut	4
HRC1500	1.5" Handrail P-Clamp	4

DETAIL B



DRAWN Marcus Wilmsmeyer	3/19/2019	Greene Galvanized Stairs East Lynn, IL 217.375.4244 www.greenebinstairs.com	
CHECKED		TITLE A-Series Entry Post Assembly Instructions	
QA		SIZE A	DWG NO IN-ARD0001
MFG		SCALE 1/8"	REV
APPROVED		SHEET 5 OF 6	

Step 4

- Using eight (8) 5/16" Flange Bolts and eight (8) 5/16" Lock Nuts, attach the ARD0001 to an assembled ART5014 as shown in Detail D.
- Line up the handrails, guardrails, and intermediate rails of the ART5014 with the handrail clamps as shown in Figure 4. The intermediate rail will not use a handrail clamp, refer to Detail C.
- Use six (6) Floor Screws to secure the rails to the ARD0003 and ARD0004 posts, as well as the HRC1500 clamps. The Floor Screws that join to the HRC clamps will be drilled through the underside of the HRC clamps, to minimize hand interference.

PARTS USED IN STEP 4		
PART NUMBER	DESCRIPTION	QTY
Floor Screws	Self-Tapping Screw	6
5/16-18x3/4FB	5/16"-18 x 3/4" Flange Bolt	8
5/16-18SFN	5/16"-18 Whiz Lock Nut	8
ART5014	4-Step Roof Stair Starter	1

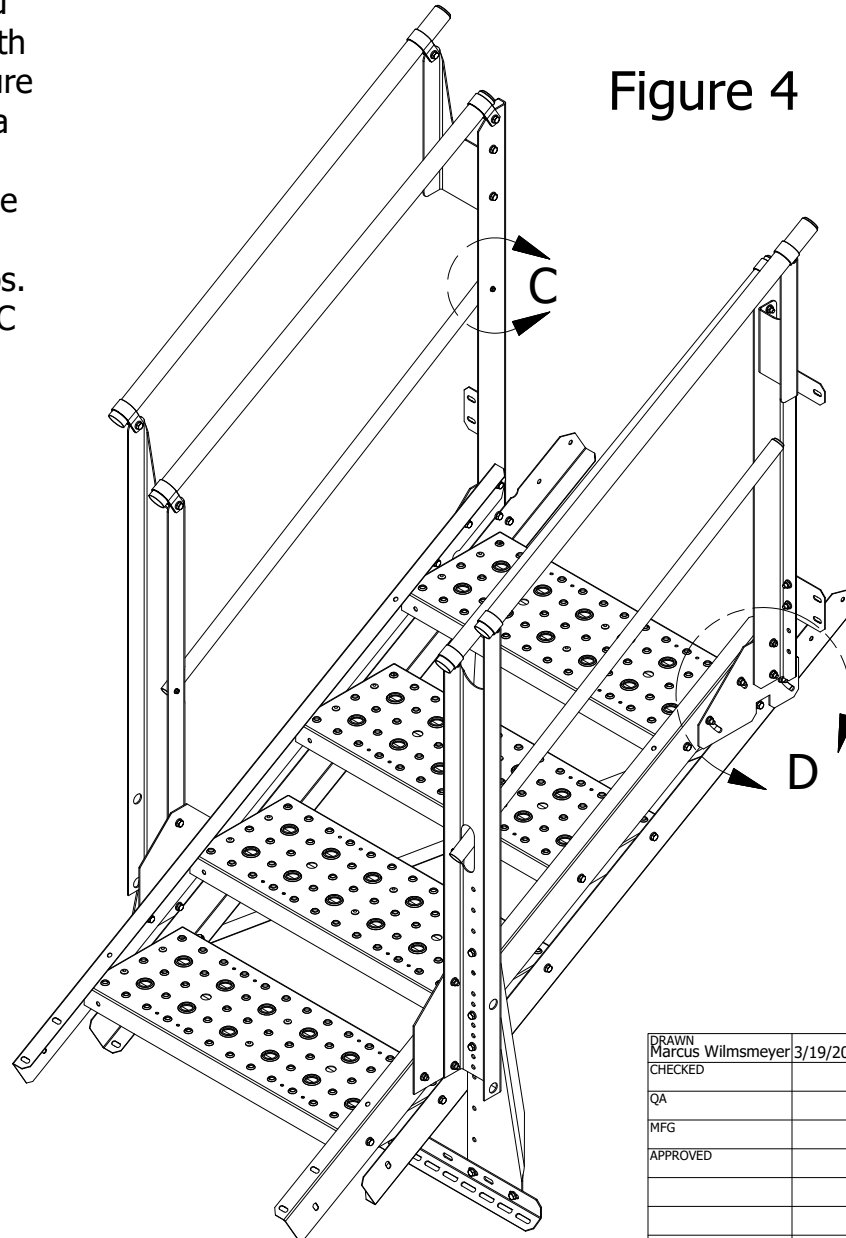
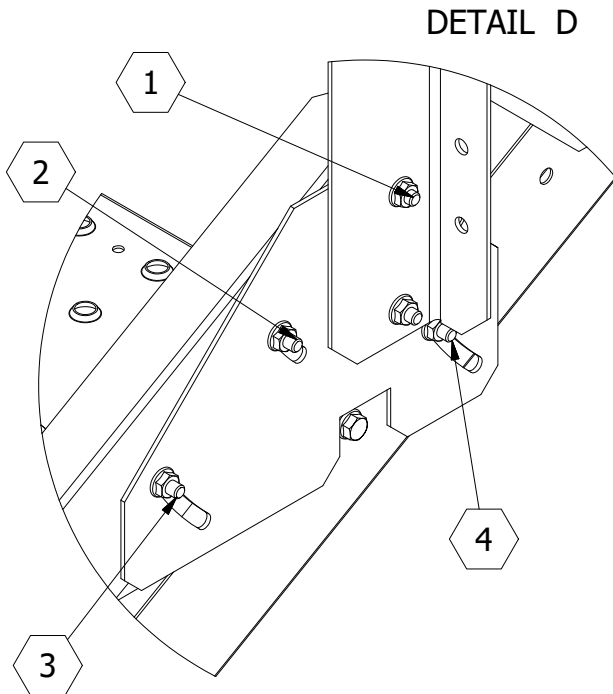
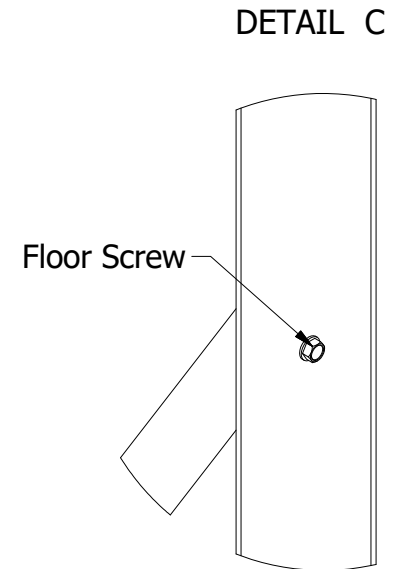
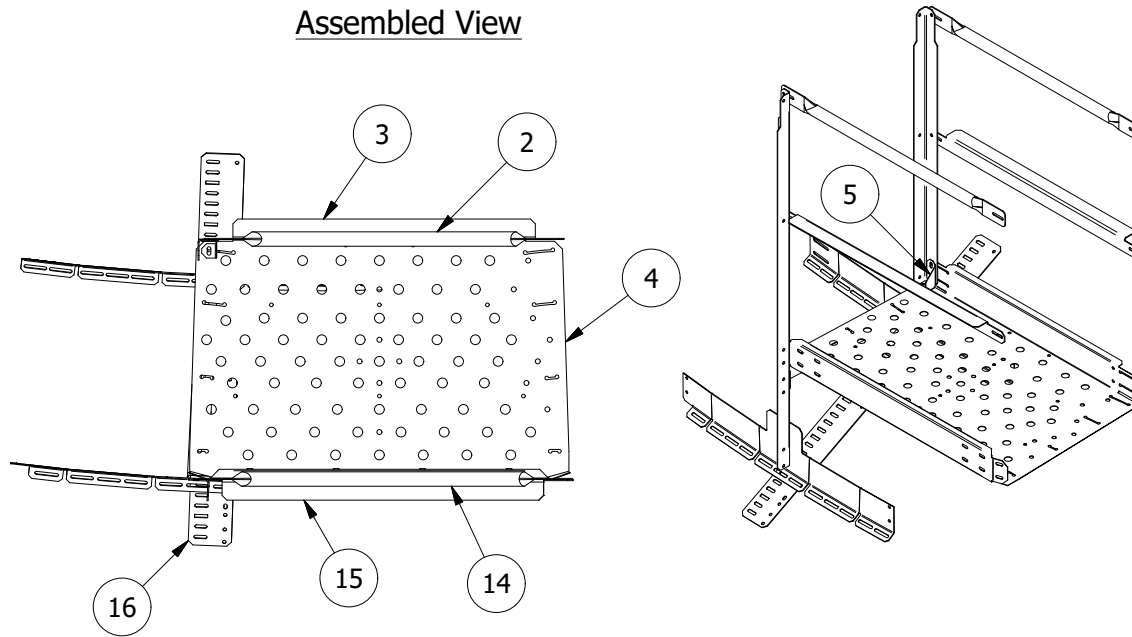


Figure 4

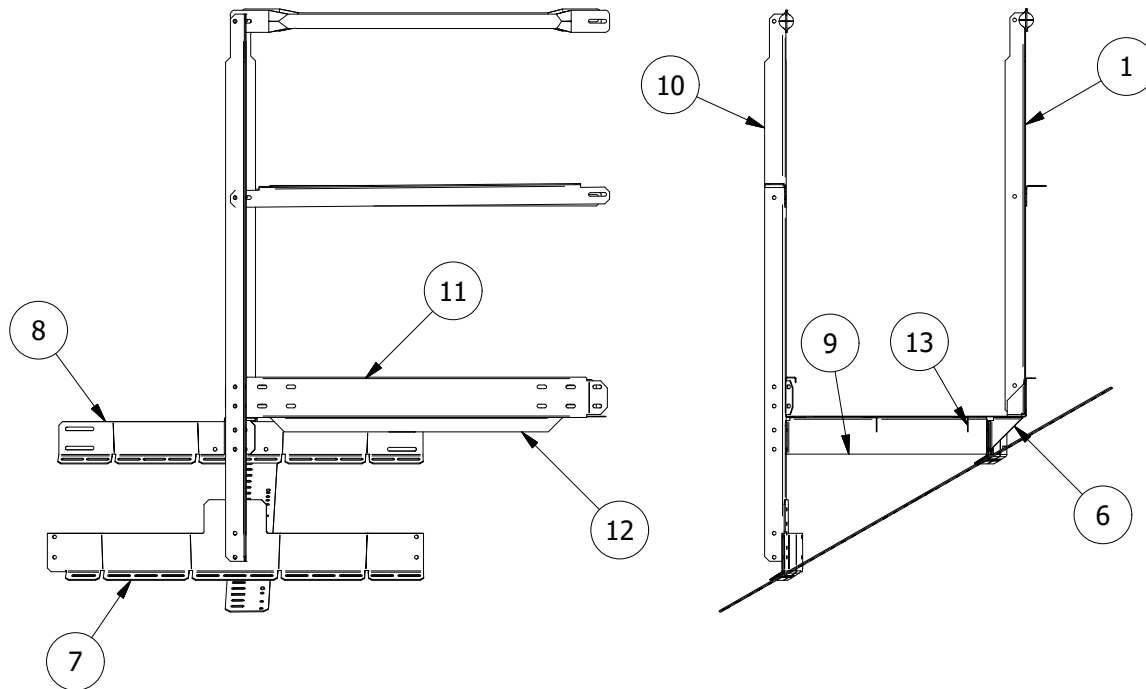


DRAWN Marcus Wilmsmeyer	3/19/2019	Greene Galvanized Stairs East Lynn, IL 217.375.4244 www.greenebinstairs.com	
CHECKED		TITLE A-Series Entry Post Assembly Instructions	
QA		SIZE A	DWG NO IN-ARD0001
MFG		SCALE 1/15	REV
APPROVED		SHEET 6 OF 6	

Assembled View

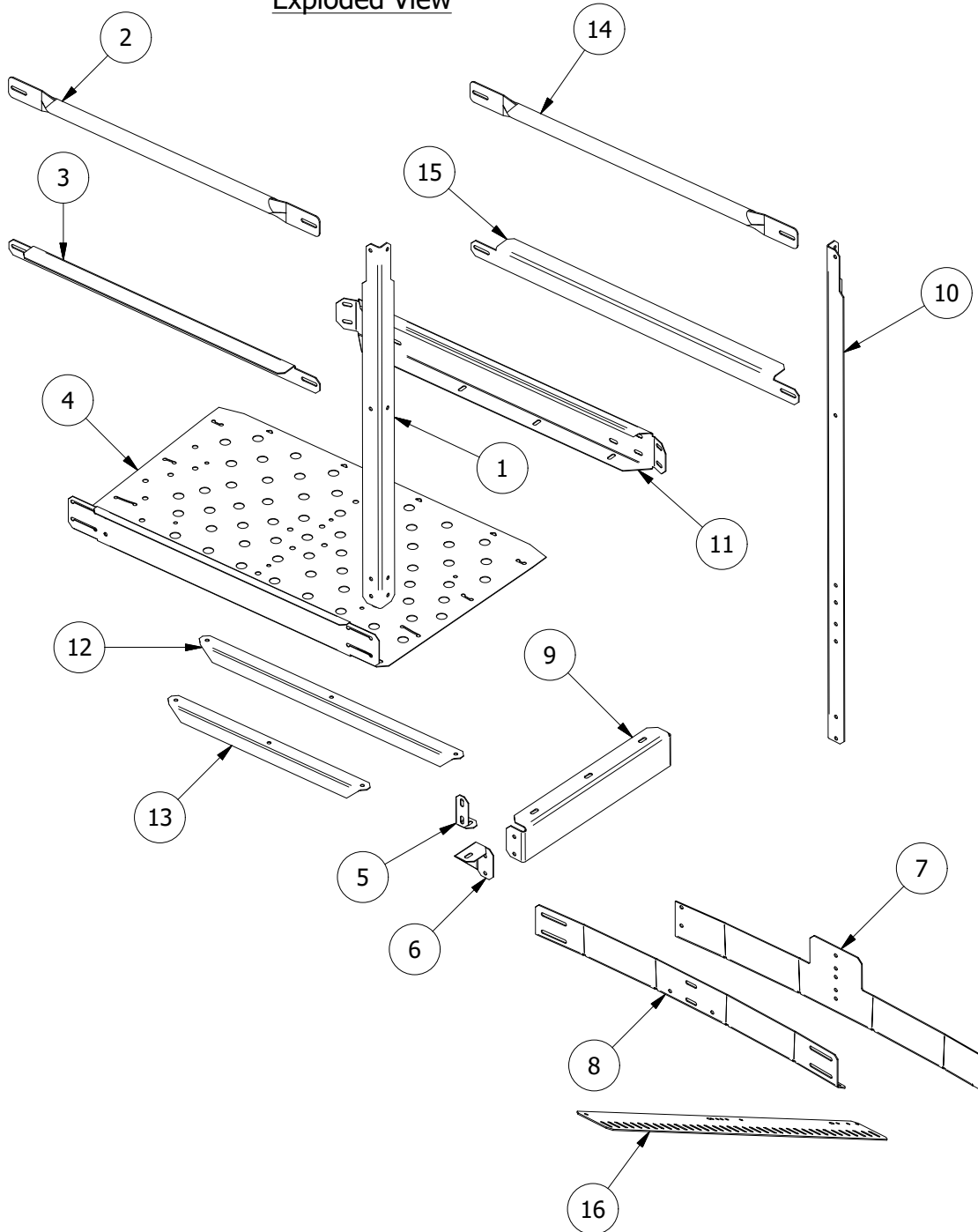


PARTS LIST		
ITEM	QTY	PART NUMBER
1	1	ARD-1006
2	1	ARD-1023 Inner Handrail
3	1	ARD-1026 Inner Midrail
4	1	ARD-1035
5	1	ARD-0007 Post Brace
6	1	ARD-0006 Riser Ext
7	1	ARD-1001 outer ring
8	1	ARD-1003 inner ring mid
9	1	ARD-1009
10	1	ARD-1007
11	1	ARD-1021
12	1	ARD-1012
13	1	ARD-1011
14	1	ARD-1024 Handrail
15	1	ARD-1025
16	1	ARD-M01



DRAWN Bill Huff	3/10/2015	Greene Galvanized Stairs	
CHECKED		217-375-4244 www.greenebinstairs.com	
QA		TITLE	
MFG		A-Series Arrest Landing	
APPROVED		SIZE A	DWG NO ARD2480AL
		SCALE	REV 1
		SHEET 1 OF 3	

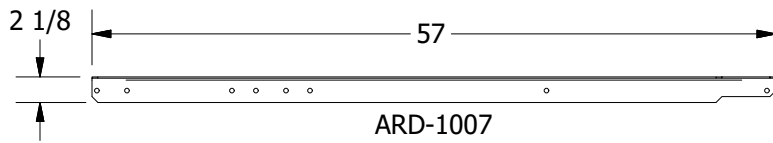
Exploded View



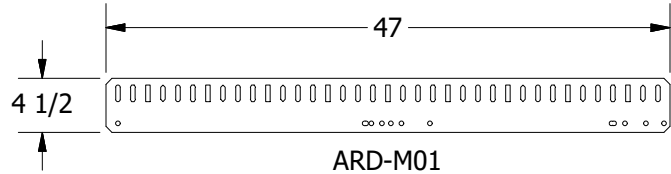
PARTS LIST		
ITEM	QTY	PART NUMBER
1	1	ARD-1006
2	1	ARD-1023 Inner Handrail
3	1	ARD-1026 Inner Midrail
4	1	ARD-1035
5	1	ARD-0007 Post Brace
6	1	ARD-0006 Riser Ext
7	1	ARD-1001 outer ring
8	1	ARD-1003 inner ring mid
9	1	ARD-1009
10	1	ARD-1007
11	1	ARD-1021
12	1	ARD-1012
13	1	ARD-1011
14	1	ARD-1024 Handrail
15	1	ARD-1025
16	1	ARD-M01



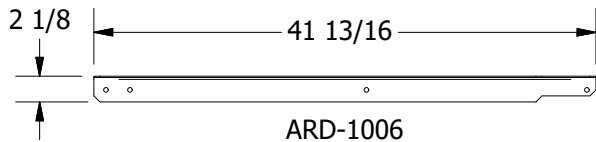
DRAWN Bill Huff	3/10/2015	Greene Galvanized Stairs	
CHECKED		217-375-4244 www.greenebinstairs.com	
QA		TITLE	
MFG		A-Series Arrest Landing	
APPROVED		SIZE A	DWG NO ARD2480AL
		SCALE	REV 1
		SHEET 2 OF 3	



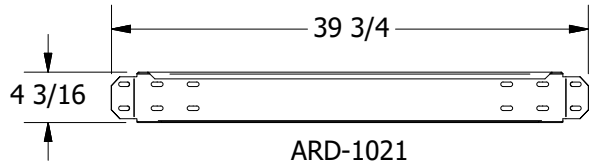
ARD-1007



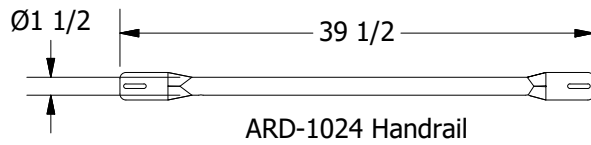
ARD-M01



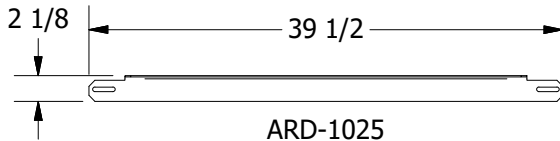
ARD-1006



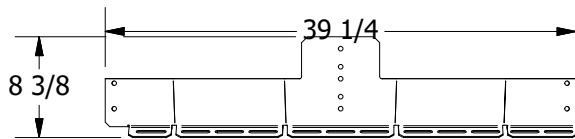
ARD-1021



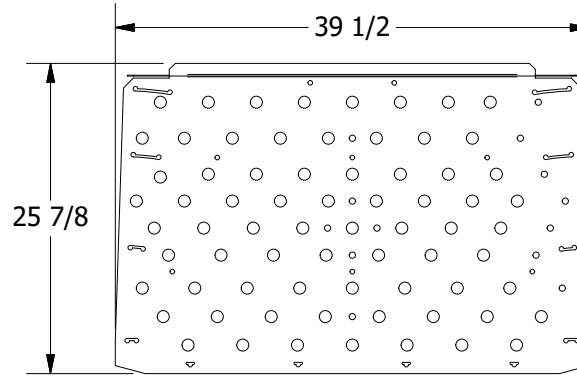
ARD-1024 Handrail



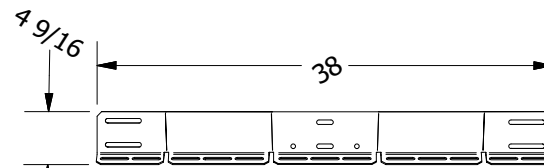
ARD-1025



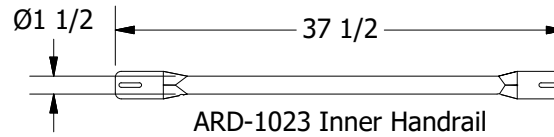
ARD-1001 outer ring



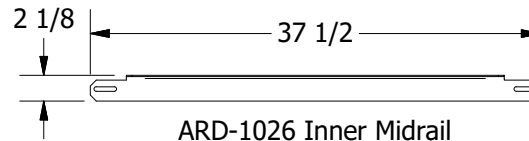
ARD-1035



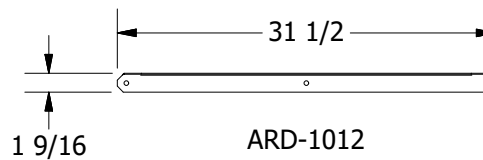
ARD-1003 inner ring mid



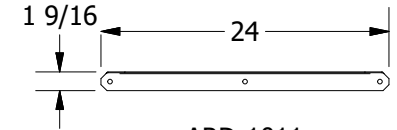
ARD-1023 Inner Handrail



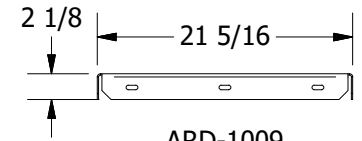
ARD-1026 Inner Midrail



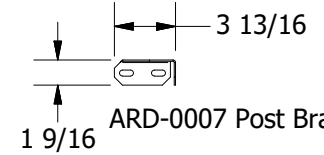
ARD-1012



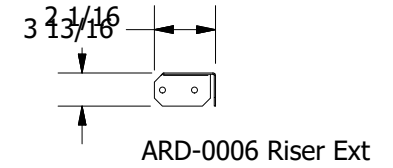
ARD-1011



ARD-1009



ARD-0007 Post Brace



ARD-0006 Riser Ext



DRAWN Bill Huff	3/10/2015	Greene Galvanized Stairs		
CHECKED		217-375-4244 www.greenebinstairs.com		
QA		TITLE		
MFG		A-Series Arrest Landing		
APPROVED		SIZE A	DWG NO ARD2480AL	REV 1
		SCALE	SHEET 3 OF 3	