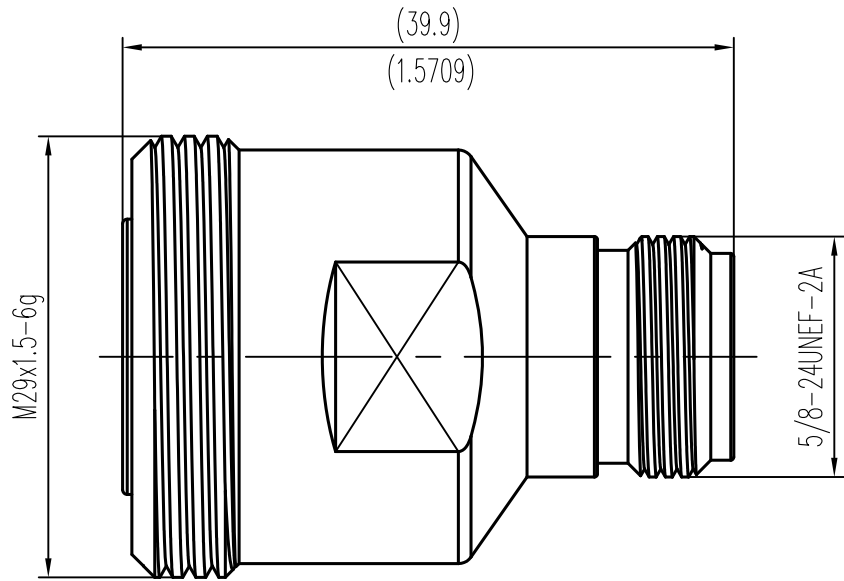


1		2		3		4		5		6	
TECHNICAL SPECIFICATION			METERIAL			FINISH					
FREQUENCY RANGE		DC~6GHz	Inner conductor		Beryllium copper		Gold				
IMPEDANCE		≥10000MΩ	Insulator		PEI		—				
OPERATING TEMP		-55℃~+155℃	Body		Stainless steel 303		Passivated				
VSWR		≤1.08	Nut		Stainless steel 303		Passivated				




UNLESS OTHERWISE SPECIFIED
 1) ALL DIMENSIONS ARE AFTER PLATING.
 2) BREAK CORNERS & EDGES.005 R. MAX.
 3) CHAM. 1ST & LAST THREADS.
 4) SURFACE ROUGHNESS 63 √ MIL-STD-10.
 5) DIA S ON COMMON CENTERS TO BE CONCENTRIC WITHIN .004 T.I.R.
 6) REMOVE ALL BURRS

DRAWN:

CHECKED:

STANDARDIZATION:

APPROVED:



LANJIAN ELECTRONICS, INC

DWG.NO. 7-16-N-FF

TITLE: SIZE 2:1

CAGE CODE: SHEET 1/1

PROPRIETARY
 THE INFORMATION CONTAINED IN THIS DRAWING IS THE SOLE PROPERTY OF LANJIAN, INC. WITHOUT THE WRITTEN PERMISSION OF LANJIAN ELECTRONICS, INC IS PROHIBITED.

A

A

B

B

C

C

D