



UNITED STATES PATENT AND TRADEMARK OFFICE

UNDER SECRETARY OF COMMERCE FOR INTELLECTUAL PROPERTY AND
DIRECTOR OF THE UNITED STATES PATENT AND TRADEMARK OFFICE

JUNE 2, 2015

PTAS

MICHAEL BICKELMEYER
12540 DEER CREEK DRIVE APT. 103
NORTH ROYALTON, OH 44133

503330030

UNITED STATES PATENT AND TRADEMARK OFFICE NOTICE OF RECORDATION OF ASSIGNMENT DOCUMENT

THE ENCLOSED DOCUMENT HAS BEEN RECORDED BY THE ASSIGNMENT RECORDATION BRANCH OF THE U.S. PATENT AND TRADEMARK OFFICE. A COMPLETE COPY IS AVAILABLE AT THE ASSIGNMENT SEARCH ROOM ON THE REEL AND FRAME NUMBER REFERENCED BELOW.

PLEASE REVIEW ALL INFORMATION CONTAINED ON THIS NOTICE. THE INFORMATION CONTAINED ON THIS RECORDATION NOTICE REFLECTS THE DATA PRESENT IN THE PATENT AND TRADEMARK ASSIGNMENT SYSTEM. IF YOU SHOULD FIND ANY ERRORS OR HAVE QUESTIONS CONCERNING THIS NOTICE, YOU MAY CONTACT THE ASSIGNMENT RECORDATION BRANCH AT 571-272-3350. PLEASE SEND REQUEST FOR CORRECTION TO: U.S. PATENT AND TRADEMARK OFFICE, MAIL STOP: ASSIGNMENT RECORDATION BRANCH, P.O. BOX 1450, ALEXANDRIA, VA 22313.

RECORDATION DATE: 06/01/2015

REEL/FRAME: 035756/0198
NUMBER OF PAGES: 2

BRIEF: ASSIGNMENT OF ASSIGNORS INTEREST (SEE DOCUMENT FOR DETAILS).

ASSIGNOR:
BICKELMEYER, MICHAEL

DOC DATE: 06/01/2015

ASSIGNEE:
BUGGER & HUND INC.
12540 DEER CREEK DRIVE APT. 103
NORTH ROYALTON, OHIO 44133

APPLICATION NUMBER: 14726657
PATENT NUMBER:
TITLE: A GIFT FOR CHILDREN

FILING DATE:
ISSUE DATE:

ASSIGNMENT RECORDATION BRANCH
PUBLIC RECORDS DIVISION

Under the Paperwork Reduction Act of 1995, no persons are required to respond to a collection of information unless it displays a valid OMB control number.

DECLARATION (37 CFR 1.63) FOR UTILITY OR DESIGN APPLICATION USING AN APPLICATION DATA SHEET (37 CFR 1.76)

Title of Invention

A GIFT FOR CHILDREN

As the below named inventor, I hereby declare that:

This declaration is directed to:



The attached application, or



United States application or PCT international application number _____

filed on _____.

The above-identified application was made or authorized to be made by me.

I believe that I am the original inventor or an original joint inventor of a claimed invention in the application.

I hereby acknowledge that any willful false statement made in this declaration is punishable under 18 U.S.C. 1001 by fine or imprisonment of not more than five (5) years, or both.

WARNING:

Petitioner/applicant is cautioned to avoid submitting personal information in documents filed in a patent application that may contribute to identity theft. Personal information such as social security numbers, bank account numbers, or credit card numbers (other than a check or credit card authorization form PTO-2038 submitted for payment purposes) is never required by the USPTO to support a petition or an application. If this type of personal information is included in documents submitted to the USPTO, petitioners/applicants should consider redacting such personal information from the documents before submitting them to the USPTO. Petitioner/applicant is advised that the record of a patent application is available to the public after publication of the application (unless a non-publication request in compliance with 37 CFR 1.213(a) is made in the application) or issuance of a patent. Furthermore, the record from an abandoned application may also be available to the public if the application is referenced in a published application or an issued patent (see 37 CFR 1.14). Checks and credit card authorization forms PTO-2038 submitted for payment purposes are not retained in the application file and therefore are not publicly available.

LEGAL NAME OF INVENTOR

Inventor: Michael Bickelmeyer

Date (Optional): 06/01/2015

Signature: Michael Bickelmeyer

Note: An application data sheet (PTO/SB/14 or equivalent), including naming the entire inventive entity, must accompany this form or must have been previously filed. Use an additional PTO/AIA/01 form for each additional inventor.

This collection of information is required by 35 U.S.C. 115 and 37 CFR 1.63. The information is required to obtain or retain a benefit by the public which is to file (and by the USPTO to process) an application. Confidentiality is governed by 35 U.S.C. 122 and 37 CFR 1.11 and 1.14. This collection is estimated to take 1 minute to complete, including gathering, preparing, and submitting the completed application form to the USPTO. Time will vary depending upon the individual case. Any comments on the amount of time you require to complete this form and/or suggestions for reducing this burden, should be sent to the Chief Information Officer, U.S. Patent and Trademark Office, U.S. Department of Commerce, P.O. Box 1450, Alexandria, VA 22313-1450. DO NOT SEND FEES OR COMPLETED FORMS TO THIS ADDRESS. SEND TO: Commissioner for Patents, P.O. Box 1450, Alexandria, VA 22313-1450.

If you need assistance in completing the form, call 1-800-PTO-9199 and select option 2.

Under the Paperwork Reduction Act of 1995, no persons are required to respond to a collection of information unless it contains a valid OMB control number.

Application Data Sheet 37 CFR 1.76		Attorney Docket Number	
		Application Number	
Title of Invention	A GIFT FOR CHILDREN		
The application data sheet is part of the provisional or nonprovisional application for which it is being submitted. The following form contains the bibliographic data arranged in a format specified by the United States Patent and Trademark Office as outlined in 37 CFR 1.76. This document may be completed electronically and submitted to the Office in electronic format using the Electronic Filing System (EFS) or the document may be printed and included in a paper filed application.			

Secrecy Order 37 CFR 5.2

Portions or all of the application associated with this Application Data Sheet may fall under a Secrecy Order pursuant to 37 CFR 5.2 (Paper filers only. Applications that fall under Secrecy Order may not be filed electronically.)

Inventor Information:

Inventor 1 Remove				
Legal Name <u>Michael Bickelmeyer</u>				
Prefix	Given Name	Middle Name	Family Name	Suffix
	<u>Michael</u>		<u>Bickelmeyer</u>	
Residence Information (Select One) <input checked="" type="radio"/> US Residency <input type="radio"/> Non US Residency <input type="radio"/> Active US Military Service				
City	<u>North Royalton</u>	State/Province	<u>OH</u>	Country of Residence <u>US America</u>
City	<u>North Royalton</u>	Country of Residence	<u>US</u>	<u>America</u>
Mailing Address of Inventor:				
Address 1	<u>12540 Deer Creek Drive Apt. 103</u>			
Address 2				
City	<u>North Royalton</u>	State/Province	<u>Ohio</u>	
Postal Code	<u>44133</u>	Country	<u>United States of America</u>	
All Inventors Must Be Listed - Additional Inventor Information blocks may be generated within this form by selecting the Add button. Add				

Correspondence Information:

Enter either Customer Number or complete the Correspondence Information section below.
 For further information see 37 CFR 1.33(a).

An Address is being provided for the correspondence information of this application.

Customer Number				
Name 1	<u>Michael Bickelmeyer</u>	Name 2		
Address 1	<u>12540 Deer Creek Drive Apt. 103</u>			
Address 2				
City	<u>North Royalton</u>	State/Province	<u>Ohio</u>	
Country	<u>United States of America</u>	Postal Code	<u>44133</u>	
Phone Number	<u>440-876-3672</u>	Fax Number		
Email Address	<u>M.Bickelmeyer@yahoo.com</u>	Add Email	Remove Email	

Under the Paperwork Reduction Act of 1995, no persons are required to respond to a collection of information unless it contains a valid OMB control number.

Application Data Sheet 37 CFR 1.76	Attorney Docket Number	
	Application Number	
Title of Invention	A GIFT FOR CHILDREN	

Application Information:

Title of the Invention	A GIFT FOR CHILDREN		
Attorney Docket Number		Small Entity Status Claimed	<input checked="" type="checkbox"/>
Application Type	Nonprovisional		
Subject Matter	Utility		
Total Number of Drawing Sheets (if any)	12	Suggested Figure for Publication (if any)	
Plant Submissions Only:			
Latin Name		Variety Denomination Name	
Filing By Reference :			
<p>Only complete this section when filing an application by reference under 35 U.S.C. 111(c) and 37 CFR 1.57(a). Do not complete this section if application papers including a specification and any drawings are being filed. Any domestic benefit or foreign priority information must be provided in the appropriate section(s) below (i.e., "Domestic Benefit/National Stage Information" and "Foreign Priority Information").</p> <p>For the purposes of a filing date under 37 CFR 1.53(b), the description and any drawings of the present application are replaced by this reference to the previously filed application, subject to conditions and requirements of 37 CFR 1.57(a).</p>			
Application number of the previously filed application	Filing date (YYYY-MM-DD)	Intellectual Property Authority or Country	

Publication Information:

<input type="checkbox"/>	Request Early Publication (Fee required at time of Request 37 CFR 1.219)
<input type="checkbox"/>	Request Not to Publish. I hereby request that the attached application not be published under 35 U.S.C. 122(b) and certify that the invention disclosed in the attached application has not and will not be the subject of an application filed in another country, or under a multilateral international agreement, that requires publication at eighteen months after filing.

Representative Information:

<p>Representative information should be provided for all practitioners having a power of attorney in the application. Providing this information in the Application Data Sheet does not constitute a power of attorney in the application (see 37 CFR 1.32). Either enter Customer Number or complete the Representative Name section below. If both sections are completed the customer Number will be used for the Representative Information during processing.</p>			
Please Select One:	<input checked="" type="radio"/> Customer Number	<input type="radio"/> US Patent Practitioner	<input type="radio"/> Limited Recognition (37 CFR 11.9)
Customer Number			

Under the Paperwork Reduction Act of 1995, no persons are required to respond to a collection of information unless it contains a valid OMB control number.

Application Data Sheet 37 CFR 1.76		Attorney Docket Number	
		Application Number	
Title of Invention	A GIFT FOR CHILDREN		
Prefix	Given Name	Middle Name	Family Name
	Michael		Bickelmeier
<input type="button" value="Remove"/>			
Registration Number			
Prefix	Given Name	Middle Name	Family Name
<input type="button" value="Remove"/>			
Registration Number			
Additional Representative Information blocks may be generated within this form by selecting the Add button.			

Domestic Benefit/National Stage Information:

This section allows for the applicant to either claim benefit under 35 U.S.C. 119(e), 120, 121, 365(c), or 386(c) or indicate National Stage entry from a PCT application. Providing this information in the application data sheet constitutes the specific reference required by 35 U.S.C. 119(e) or 120, and 37 CFR 1.78.

When referring to the current application, please leave the application number blank.

Prior Application Status				<input type="button" value="Remove"/>	
Application Number		Continuity Type	Prior Application Number	Filing Date (YYYY-MM-DD)	
Application Number	Continuity Type	Prior Application Number	Filing Date (YYYY-MM-DD)	Patent Number	Issue Date (YYYY-MM-DD)
Additional Domestic Benefit/National Stage Data may be generated within this form by selecting the Add button.					

Foreign Priority Information:

This section allows for the applicant to claim priority to a foreign application. Providing this information in the application data sheet constitutes the claim for priority as required by 35 U.S.C. 119(b) and 37 CFR 1.55. When priority is claimed to a foreign application that is eligible for retrieval under the priority document exchange program (PDX)ⁱ the information will be used by the Office to automatically attempt retrieval pursuant to 37 CFR 1.55(i)(1) and (2). Under the PDX program, applicant bears the ultimate responsibility for ensuring that a copy of the foreign application is received by the Office from the participating foreign intellectual property office, or a certified copy of the foreign priority application is filed, within the time period specified in 37 CFR 1.55(g)(1).

				<input type="button" value="Remove"/>	
Application Number	Country ⁱ	Filing Date (YYYY-MM-DD)	Access Code ⁱ (if applicable)		
Additional Foreign Priority Data may be generated within this form by selecting the Add button.					

Under the Paperwork Reduction Act of 1995, no persons are required to respond to a collection of information unless it contains a valid OMB control number.

Application Data Sheet 37 CFR 1.76	Attorney Docket Number	
	Application Number	
Title of Invention	A GIFT FOR CHILDREN	

Statement under 37 CFR 1.55 or 1.78 for AIA (First Inventor to File) Transition Applications

This application (1) claims priority to or the benefit of an application filed before March 16, 2013 and (2) also contains, or contained at any time, a claim to a claimed invention that has an effective filing date on or after March 16, 2013.

NOTE: By providing this statement under 37 CFR 1.55 or 1.78, this application, with a filing date on or after March 16, 2013, will be examined under the first inventor to file provisions of the AIA.

Authorization to Permit Access:

Authorization to Permit Access to the Instant Application by the Participating Offices

If checked, the undersigned hereby grants the USPTO authority to provide the European Patent Office (EPO), the Japan Patent Office (JPO), the Korean Intellectual Property Office (KIPO), the World Intellectual Property Office (WIPO), and any other intellectual property offices in which a foreign application claiming priority to the instant patent application is filed access to the instant patent application. See 37 CFR 1.14(c) and (h). This box should not be checked if the applicant does not wish the EPO, JPO, KIPO, WIPO, or other intellectual property office in which a foreign application claiming priority to the instant patent application is filed to have access to the instant patent application.

In accordance with 37 CFR 1.14(h)(3), access will be provided to a copy of the instant patent application with respect to: 1) the instant patent application-as-filed; 2) any foreign application to which the instant patent application claims priority under 35 U.S.C. 119(a)-(d) if a copy of the foreign application that satisfies the certified copy requirement of 37 CFR 1.55 has been filed in the instant patent application; and 3) any U.S. application-as-filed from which benefit is sought in the instant patent application.

In accordance with 37 CFR 1.14(c), access may be provided to information concerning the date of filing this Authorization.

Applicant Information:

Providing assignment information in this section does not substitute for compliance with any requirement of part 3 of Title 37 of CFR to have an assignment recorded by the Office.

Under the Paperwork Reduction Act of 1995, no persons are required to respond to a collection of information unless it contains a valid OMB control number.

Application Data Sheet 37 CFR 1.76	Attorney Docket Number	
	Application Number	
Title of Invention	A GIFT FOR CHILDREN	

Applicant 1				
<p>If the applicant is the inventor (or the remaining joint inventor or inventors under 37 CFR 1.45), this section should not be completed. The information to be provided in this section is the name and address of the legal representative who is the applicant under 37 CFR 1.43; or the name and address of the assignee, person to whom the inventor is under an obligation to assign the invention, or person who otherwise shows sufficient proprietary interest in the matter who is the applicant under 37 CFR 1.46. If the applicant is an applicant under 37 CFR 1.46 (assignee, person to whom the inventor is obligated to assign, or person who otherwise shows sufficient proprietary interest) together with one or more joint inventors, then the joint inventor or inventors who are also the applicant should be identified in this section.</p>				
<input type="button" value="Clear"/>				
<input type="radio"/> Assignee		<input type="radio"/> Legal Representative under 35 U.S.C. 117		<input type="radio"/> Joint Inventor
<input type="radio"/> Person to whom the inventor is obligated to assign.			<input type="radio"/> Person who shows sufficient proprietary interest	
If applicant is the legal representative, indicate the authority to file the patent application, the inventor is:				
Name of the Deceased or Legally Incapacitated Inventor : <input type="text"/>				
If the Applicant is an Organization check here. <input type="checkbox"/>				
Organization Name <input type="text"/>				
Prefix	Given Name	Middle Name	Family Name	Suffix
Mailing Address Information For Applicant:				
Address 1				
Address 2				
City		State/Province		
Country	Postal Code			
Phone Number		Fax Number		
Email Address				
Additional Applicant Data may be generated within this form by selecting the Add button.				

Assignee Information including Non-Applicant Assignee Information:

Providing assignment information in this section does not substitute for compliance with any requirement of part 3 of Title 37 of CFR to have an assignment recorded by the Office.

Under the Paperwork Reduction Act of 1995, no persons are required to respond to a collection of information unless it contains a valid OMB control number.

Application Data Sheet 37 CFR 1.76	Attorney Docket Number	
	Application Number	
Title of Invention	A GIFT FOR CHILDREN	

Assignee 1				
Complete this section if assignee information, including non-applicant assignee information, is desired to be included on the patent application publication. An assignee-applicant identified in the "Applicant Information" section will appear on the patent application publication as an applicant. For an assignee-applicant, complete this section only if identification as an assignee is also desired on the patent application publication.				
If the Assignee or Non-Applicant Assignee is an Organization check here. <input type="checkbox"/>				
Organization Name				
Prefix	Given Name	Middle Name	Family Name	Suffix
Mailing Address Information For Assignee including Non-Applicant Assignee:				
Address 1				
Address 2				
City		State/Province		
Country ⁱ	Postal Code			
Phone Number		Fax Number		
Email Address				
Additional Assignee or Non-Applicant Assignee Data may be generated within this form by selecting the Add button.				

Signature:

NOTE: This form must be signed in accordance with 37 CFR 1.33. See 37 CFR 1.4 for signature requirements and certifications.					
Signature	<i>Michael Bickelmeier</i>			Date (YYYY-MM-DD)	2015-06-01
First Name	Michael	Last Name	Bickelmeier	Registration Number	
Additional Signature may be generated within this form by selecting the Add button.					

This collection of information is required by 37 CFR 1.76. The information is required to obtain or retain a benefit by the public which is to file (and by the USPTO to process) an application. Confidentiality is governed by 35 U.S.C. 122 and 37 CFR 1.14. This collection is estimated to take 23 minutes to complete, including gathering, preparing, and submitting the completed application data sheet form to the USPTO. Time will vary depending upon the individual case. Any comments on the amount of time you require to complete this form and/or suggestions for reducing this burden, should be sent to the Chief Information Officer, U.S. Patent and Trademark Office, U.S. Department of Commerce, P.O. Box 1450, Alexandria, VA 22313-1450. DO NOT SEND FEES OR COMPLETED FORMS TO THIS ADDRESS. SEND TO: Commissioner for Patents, P.O. Box 1450, Alexandria, VA 22313-1450.

Under the Paperwork Reduction Act of 1995 no persons are required to respond to a collection of information unless it displays a valid OMB control number

FEE TRANSMITTAL	Complete if known	
	Application Number	
	Filing Date	
	First Named Inventor	
	Examiner Name	
	Art Unit	
<input type="checkbox"/> Applicant asserts small entity status. See 37 CFR 1.27. <input checked="" type="checkbox"/> Applicant certifies micro entity status. See 37 CFR 1.29. Form PTO/SB/15A or 8 or equivalent must either be enclosed or have been submitted previously.		Practitioner Docket No.
TOTAL AMOUNT OF PAYMENT		(\$) <u>400</u>

METHOD OF PAYMENT (check all that apply)

Check Credit Card Money Order None Other (please identify): _____
 Deposit Account Deposit Account Number: _____ Deposit Account Name: _____
 For the above-identified deposit account, the Director is hereby authorized to (check all that apply):
 Charge fee(s) indicated below Charge fee(s) indicated below, **except for the filing fee**
 Charge any additional fee(s) or underpayment of fee(s) under 37 CFR 1.16 and 1.17 Credit any overpayment of fee(s)

WARNING: Information on this form may become public. Credit card information should not be included on this form. Provide credit card information and authorization on PTO-2038.

FEE CALCULATION

1. BASIC FILING, SEARCH, AND EXAMINATION FEES (U = undiscounted fee; S = small entity fee; M = micro entity fee)

Application Type	FILING FEES			SEARCH FEES			EXAMINATION FEES			Fees Paid (\$)
	U (\$)	S (\$)	M (\$)	U (\$)	S (\$)	M (\$)	U (\$)	S (\$)	M (\$)	
Utility	280	140*	70	600	300	150	720	360	180	<u>400</u>
Design	180	90	45	120	60	30	460	230	115	
Plant	180	90	45	380	190	95	580	290	145	
Reissue	280	140	70	600	300	150	2,160	1,080	540	
Provisional	260	130	65	0	0	0	0	0	0	

* The \$140 small entity status filing fee for a utility application is further reduced to \$70 for a small entity status applicant who files the application via EFS-Web.

2. EXCESS CLAIM FEES

Fee Description	Undiscounted Fee (\$)	Small Entity Fee (\$)	Micro Entity Fee (\$)
Each claim over 20 (including Reissues)	80	40	20
Each independent claim over 3 (including Reissues)	420	210	105
Multiple dependent claims	780	390	195
Total Claims			
_____ - 20 or HP = _____ x _____ = _____			
HP = highest number of total claims paid for, if greater than 20.			
Indep. Claims			
_____ - 3 or HP = _____ x _____ = _____			
HP = highest number of independent claims paid for, if greater than 3.			

3. APPLICATION SIZE FEE

If the specification and drawings exceed 100 sheets of paper (excluding electronically filed sequence or computer listings under 37 CFR 1.52(e)), the application size fee due is \$400 (\$200 for small entity) (\$100 for micro entity) for each additional 50 sheets or fraction thereof. See 35 U.S.C. 41(a)(1)(G) and 37 CFR 1.16(s).

Total Sheets	Extra Sheets	Number of each additional 50 or fraction thereof	Fee (\$)	Fee Paid (\$)
_____ - 100 = _____ / 50 = _____ (round up to a whole number) x _____ = _____				

4. OTHER FEE(S)

Non-English specification, \$130 fee (no small or micro entity discount) _____
 Non-electronic filing fee under 37 CFR 1.16(t) for a utility application, \$400 fee (\$200 small or micro entity) _____
 Other (e.g., late filing surcharge): _____

SUBMITTED BY

Signature	<u>Michael Bickelmeier</u>	Registration No. (Attorney/Agent)	Telephone <u>440-876-3672</u>
Name (Print/Type)	<u>Michael Bickelmeier</u>		Date <u>06/01/2015</u>

This collection of information is required by 37 CFR 1.136. The information is required to obtain or retain a benefit by the public which is to file (and by the USPTO to process) an application. Confidentiality is governed by 35 U.S.C. 122 and 37 CFR 1.14. This collection is estimated to take 30 minutes to complete, including gathering, preparing, and submitting the completed application form to the USPTO. Time will vary depending upon the individual case. Any comments on the amount of time you require to complete this form and/or suggestions for reducing this burden, should be sent to the Chief Information Officer, U.S. Patent and Trademark Office, U.S. Department of Commerce, P.O. Box 1450, Alexandria, VA 22313-1450. DO NOT SEND FEES OR COMPLETED FORMS TO THIS ADDRESS. SEND TO: Commissioner for Patents, P.O. Box 1450, Alexandria, VA 22313-1450.

If you need assistance in completing the form, call 1-800-PTO-9199 and select option 2.

CERTIFICATION OF MICRO ENTITY STATUS (GROSS INCOME BASIS)

Application Number or Control Number (if applicable):	Patent Number (if applicable):
First Named Inventor: <i>Michael Bickelmeyer</i>	Title of Invention: <i>A GIFT FOR CHILDREN</i>

The applicant hereby certifies the following—

- (1) **SMALL ENTITY REQUIREMENT** – The applicant qualifies as a small entity as defined in 37 CFR 1.27.

- (2) **APPLICATION FILING LIMIT** – Neither the applicant nor the inventor nor a joint inventor has been named as the inventor or a joint inventor on more than four previously filed U.S. patent applications, excluding provisional applications and international applications under the Patent Cooperation Treaty (PCT) for which the basic national fee under 37 CFR 1.492(a) was not paid, and also excluding patent applications for which the applicant has assigned all ownership rights, or is obligated to assign all ownership rights, as a result of the applicant's previous employment.

- (3) **GROSS INCOME LIMIT ON APPLICANTS AND INVENTORS** – Neither the applicant nor the inventor nor a joint inventor, in the calendar year preceding the calendar year in which the applicable fee is being paid, had a gross income, as defined in section 61(a) of the Internal Revenue Code of 1986 (26 U.S.C. 61(a)), exceeding the "Maximum Qualifying Gross Income" reported on the USPTO Web site at http://www.uspto.gov/patents/law/micro_entity.jsp which is equal to three times the median household income for that preceding calendar year, as most recently reported by the Bureau of the Census.

- (4) **GROSS INCOME LIMIT ON PARTIES WITH AN "OWNERSHIP INTEREST"** – Neither the applicant nor the inventor nor a joint inventor has assigned, granted, or conveyed, nor is under an obligation by contract or law to assign, grant, or convey, a license or other ownership interest in the application concerned to an entity that, in the calendar year preceding the calendar year in which the applicable fee is being paid, had a gross income, as defined in section 61(a) of the Internal Revenue Code of 1986, exceeding the "Maximum Qualifying Gross Income" reported on the USPTO Web site at http://www.uspto.gov/patents/law/micro_entity.jsp which is equal to three times the median household income for that preceding calendar year, as most recently reported by the Bureau of the Census.

SIGNATURE by an authorized party set forth in 37 CFR 1.33(b)

Signature	<i>Michael Bickelmeyer</i>		
Name	<i>Michael Bickelmeyer</i>		
Date	<i>06/01/2015</i>	Telephone	<i>440-876-3672</i>
		Registration No.	
<input type="checkbox"/>	There is more than one inventor and I am one of the inventors who are jointly identified as the applicant. The required additional certification form(s) signed by the other joint inventor(s) are included with this form.		

A GIFT FOR CHILDREN

TECHNICAL FIELD OF THE INVENTION

The present invention is a weapon system. More specifically, the present invention is an aid to the United States of America with the war on terrorism and drugs. The invention endeavors satellite control systems. Through the use of magnified sunrays directed internally to the apparatus lens chamber, targeting systems direct magnified sunrays towards the earth can eliminate a single combatant with the variable to eliminate entire countries. Through the use of reflective relays the weapon system is operational during both day and night.

BACKGROUND OF THE INVENTION

This invention is created to protect watch, and guard the free world. It is designed for development and use by the United States of America for the primary protection of those that prefer the confidence of safety and security. The function is to aid with the war on terrorism and drugs. This innovation is a defense system.

SUMMARY OF THE INVENTION

This invention, the substance and idea is an innovation designed specifically to ensure for the children of today a safe, and secure tomorrow. A device designed to keep families together without separation. This invention is designed for pest control elimination. This device when used, can ensure a clean pollution free environment, without any radioactive nuclear fallout. It can be remote activated from any location. This invention is created to protect watch, and guard the free world. It is designed for development and use the United States of America for the primary protection of those that prefer the confidence of safety and security. The function is to aid with the war on terrorism and drugs. This innovation is a defense system.

BRIEF DESCRIPTION OF THE DRAWINGS

The structure operation, and advantages of the present invention will become further apparent upon consideration of the following description taken in conjunction with the accompanying figures (FIGs.). The figures are intended to be illustrative, not limiting. Certain elements in some of the figures may be omitted, or illustrated not-to-scale, for illustrative clarity. The cross-sectional views may be viewed in the form of "slices", or "nearsighted" cross-sectional views, omitting certain background lines which would otherwise be visible in a "true" cross-sectional view, for illustrative clarity.

In the drawings accompanying the description that follows, both reference numerals and legends (labels, text descriptions) may be used to identify elements. If legends are provided, they intended merely as an aid to the reader, and should not in any way be interpreted as limiting.

BRIEF DESCRIPTION OF THE SEVERAL VIEWS OF THE DRAWINGS

This is a description of drawing FIG. 1/12. Element 1 is a sighting system. There are four sighting systems shown. They are exactly 90° to each other from the center of element 6 protective shroud system. Element 2 is the external shell of the main long apparatus system. Element 3 is the main long apparatus system mechanisms functions chamber. It runs throughout the entire length of the main long apparatus system, and each of all for sighting systems are alike the main long apparatus system. Element 4 is a shroud motor. There are three motors for each shroud plate on all for sighting systems. Each motor has in itself enough torque to raise and lower the shroud plate. Element 5 is a shroud plate hinge. Each shroud plate has three hinges. Each hinge on every shroud plate is capable of the total motion individually. All four sighting systems have the exact hinge configuration as the main long cylinder apparatus. Element 6 is a protective shroud section plate. All four targeting site systems have protective shroud sections.

This is a description of drawing FIG. 2/12. Element 7 is a sight alignment system. There are four sight alignment systems on the outside perimeter of the main long cylinder apparatus system. Each of all for sight alignment systems are in alignment with the main long cylinder crosshair system as a center. Element 8 is a mechanical system for which the lens and sight system travel. There are four travel mechanisms for the main long apparatus system. The four travel mechanisms are each individually spaced at 90° to each other from the center crosshair of the main long cylinder apparatus system. The four individual sight systems are identical to this configuration. Element 9 is the main long cylinder apparatus targeting sight system.

This is a description of drawing FIG. 3/12. Element 10 is a motor system. There are series of eight motor systems visible on FIG. drawing 3/12. There are a series of motor systems on either side of all four targeting systems. These targeting systems are defined in FIG. drawing 1/12, element 1 and FIG. drawing 2/12, element 7. These motor systems operate the functions of the main long cylinder apparatus lens systems and targeting sight systems. They are present in drawing FIG. 3/12, element 10 and each of all four targeting sight systems. Element 11 is a mount for the motor and motors for the mechanical operations of the main long cylinder apparatus and targeting systems.

This is a description of drawing FIG. 4/12. Drawing FIG. 4/12 is a split view of the main long cylinder apparatus and targeting sighting alignment systems. Element 12 are fixed extensions of the lens sight alignment systems. Element 13 is a sight alignment system. This split view shows three of the total of the four. Element 14 is a nonvisible mount for the sight alignment targeting system. Element 15 is a visible mount for fastening the targeting sighting alignment system to the frame of the main long cylinder apparatus system.

This is a description of drawing FIG. 5/12. Element 16 is a maintenance hatch system on the main long cylinder apparatus. They are also on each of all four targeting sighting alignment systems.

This is a description of drawing FIG. 6/12. Element 17 is a lens. There is a lens series at the forward and aft of the lens chamber of the main long cylinder apparatus. Element 18 is the lens chamber. Element 19 is a motorized rail for the lens systems to travel on.

This a description of drawing FIG. 7/12. Element 20 is a mount on the reflective transfer located on the aft or farthest from the Earth's end long ways of the main long cylinder apparatus. Element 21 is the round configuration of the reflective transfer.

This is a description of drawing FIG. 8/12. Drawing FIG. 8/12 shows a split view of the aft intake farthest from the earth end long ways of the main long cylinder apparatus. Element 22 is a rotational mounting system for one of four adjustable arms which control the round reflective transfer relay element. Element 23 is one of four arms used to move the round reflective transfer relay.

This is a description of drawing FIG. 9/12. Element 24 is a round reflective relay transfer. It is fastened to the main long cylinder apparatus by four movable arms which are fastened to the aft or farthest from the earth end long ways of the main long cylinder apparatus.

This is a description of drawing FIG. 10/12. Drawing FIG. 10/12 is a square reflective transfer. Element 25 is a square shaped reflective transfer. Element 26 is a movable arm which controls both the reflective transfer panels and radio receptive element. Element 27 is a radio receptive element stem. Element 28 is radio receptive element. Element 29 is a reflective adjustable relay transfer panel.

This is a description of drawing FIG. 11/12. Element 30 is a round reflective transfer relay. Element 31 as an oval transfer reflective relay panel. Element 32 is a movable arm connecting the oval transfer reflective relay panel to the radio receptive element. Element 33 is a variable position point for the movable arm connecting the oval transfer reflective relay panel to the radio receptive element. Element 34 is a stem position arm fastening the oval transfer reflective relay panel to the radio receptive element. Element 35 is an angled movable arm. Element 36 is a radio receptive element.

This is a description of drawing FIG. 12/12. Element 37 are sun positions. Element 38 is an orbit for the main long cylinder apparatus and reflective relay transfer systems. Element 39 is in orbit for the main long cylinder apparatus and reflective relay transfer systems. Element 40 is an orbit for the main long cylinder apparatus and reflective relay transfer systems. Element 41 is the earth.

DETAILED DESCRIPTION OF THE INVENTION

This invention, the substance and idea is an innovation designed specifically to ensure for the children of today a safe and secure tomorrow. A device designed to keep families together without separation. This invention is designed for pest-control illumination. This device when used, can ensure a clean pollution free environment without any radioactive nuclear fallout. It can be remote activated from any location. This invention is created to protect watch, and guard the free world. It is designed for development and use by the United States of America for the primary protection of those that prefer the confidence of safety and security. The function is to aid with the war on terrorism and drugs. This innovation is a defense system. An evolutionary device designed to guard, and protect children by day and night. A device designed to let allow, and permit children to enjoy a spring breeze, play with the leaves of fall, and feel the bite of winter upon their faces, in a carefree manner without concerns. This invention is designed to erase from the world, the spirits of dread and nightmare. The using of this invention is the magnification of sunrays from a point external from the earth, to erase from the world the spirits of dread nightmare, and utilize pest-control. Sunrays are directed to the aft, farthest from Earth by a reflective transfer and combination of reflective transfer combination relays, from a series of locations around the earth. These transfers of rays are from the sun. This invention is a technological advance in warfare defense systems.

The application is intended for use by the United States of America to assist with the war on terrorism and drugs. This device is designed to keep families together without separation. This device is designed to eliminate targets without any radioactive nuclear fallout. This device is designed to eliminate the loss of American lives. This device saves time and labors. This device is cost-effective. Control and manipulation of this apparatus and reflective relays can be from remote location and locations such as Earth, space, and outer spheres. These magnified sunrays when exited through its forward or closest to the earth end side long ways from the apparatus be strategically placed to its targeted spirits of dread and nightmare, and utilized for pest-control, to totally eliminate them. This device is designed to keep families together without separation. This invention is created for pest-control elimination. The process of making this invention is through mold configuration process. These sunrays can be directed to its target and targets, through a series of four magnified external sights fastened to the exterior of the cylinder shaped apparatus, parallel to it. These sights are exactly 90° to each other, from the center crosshair alignment of the main long cylinder apparatus. All four sight systems are exactly similar in construction elements as the main apparatus long cylinder. This apparatus and its functions can be performed in addition from the main apparatus cylinder earth space outer spheres, and also from all reflective relays by remote wave, and satellite control systems. These reflectors are manipulated position capable, and are controllable from Earth space, and outer spheres. The main long cylinder apparatus and all reflective relays are also manual control capable, at their location and locations. Implementation of the weapon system is cost-effective to America and will save American lives. This defense system is not labor intensive. The weapon system is designed to magnify sunrays from Earth's outer atmosphere. The operation of this weapon system is designed to be functional by both day and night. Through the use of reflective panels and Earth's outer atmosphere sunrays are directed to the weapon system. The sunrays pass through a chamber which contains a series magnification lens systems. The targeting system is designed to eliminate a single combatant with a variable expanding to eliminate entire countries. Because there is no use of nuclear technology this eliminates any radioactive nuclear fallout.

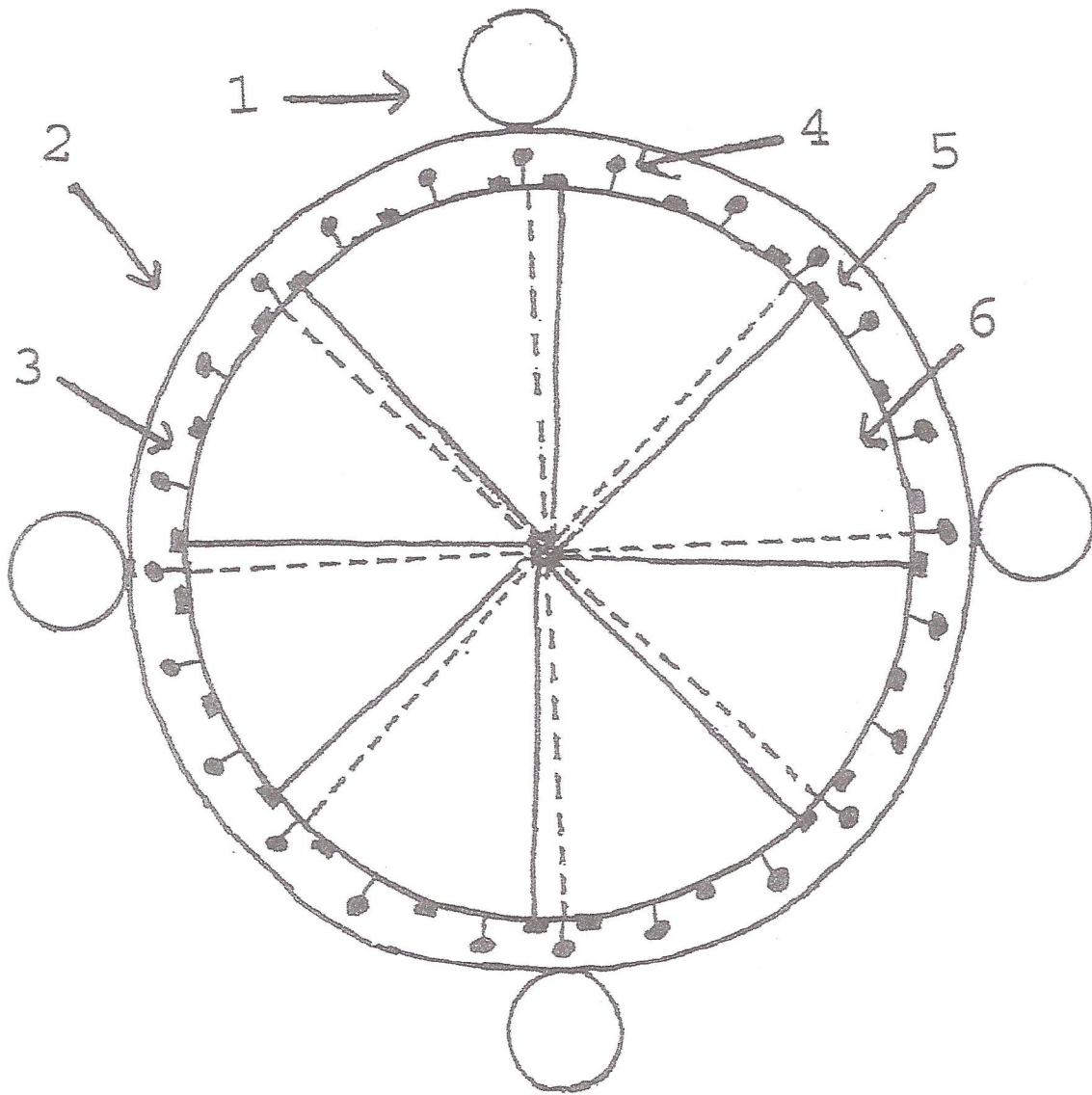


FIG. 1

2/12

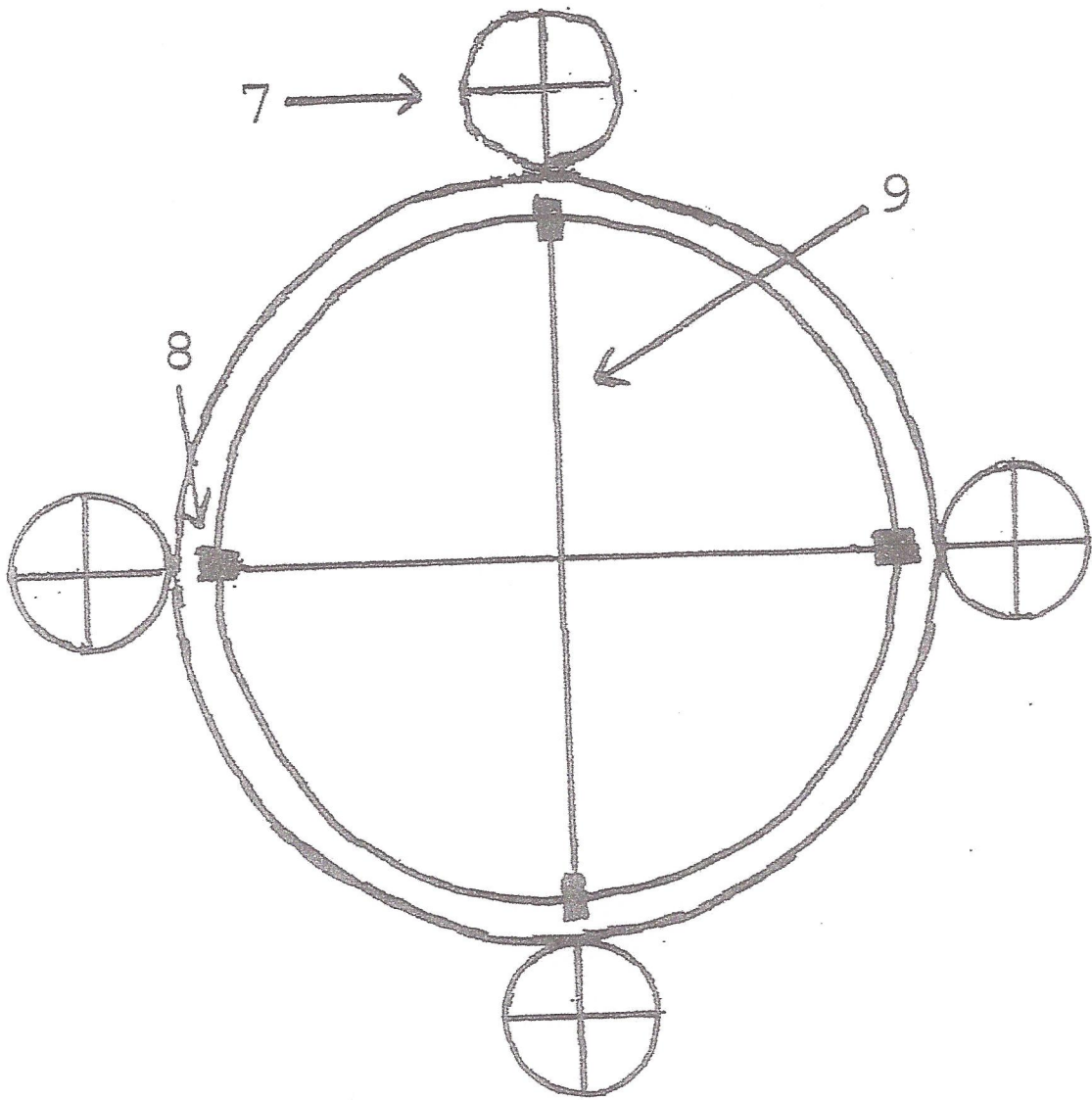


FIG. 2

3/12

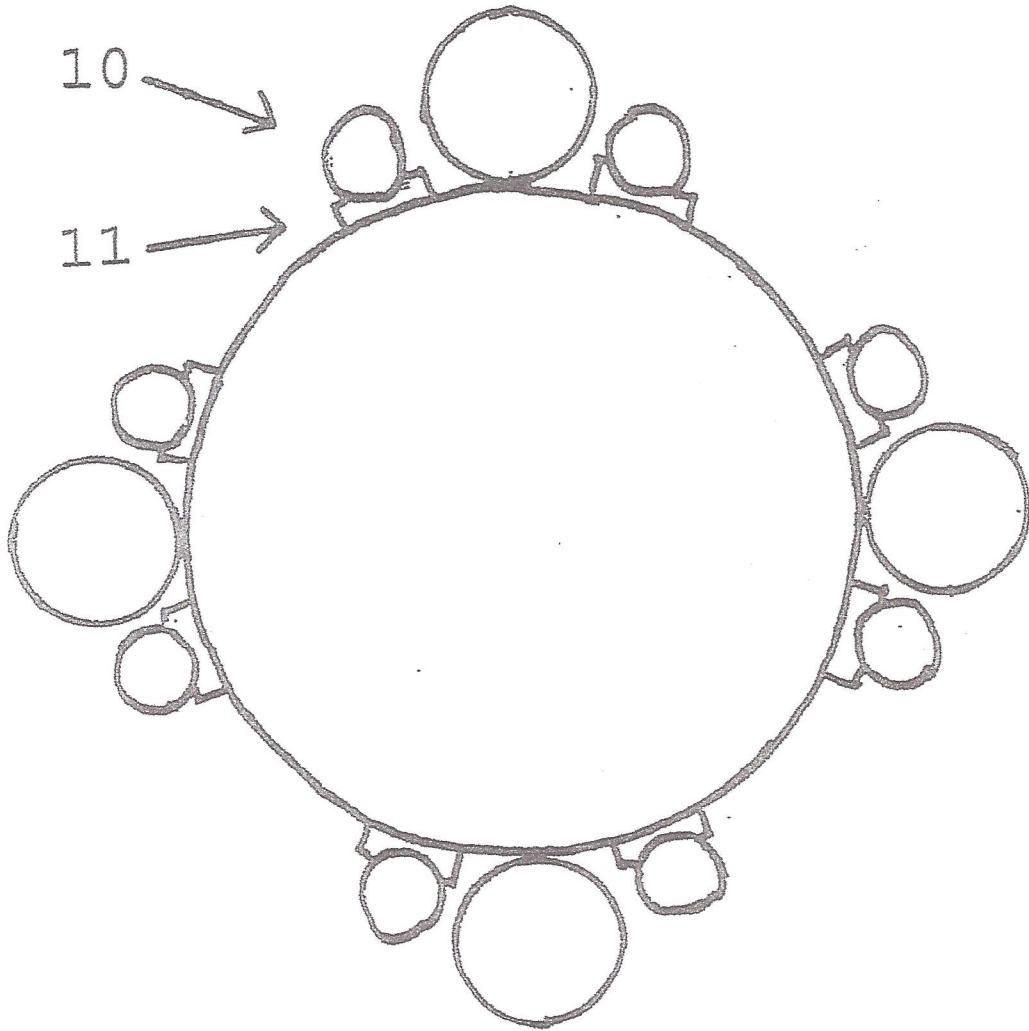


FIG. 3

4/12

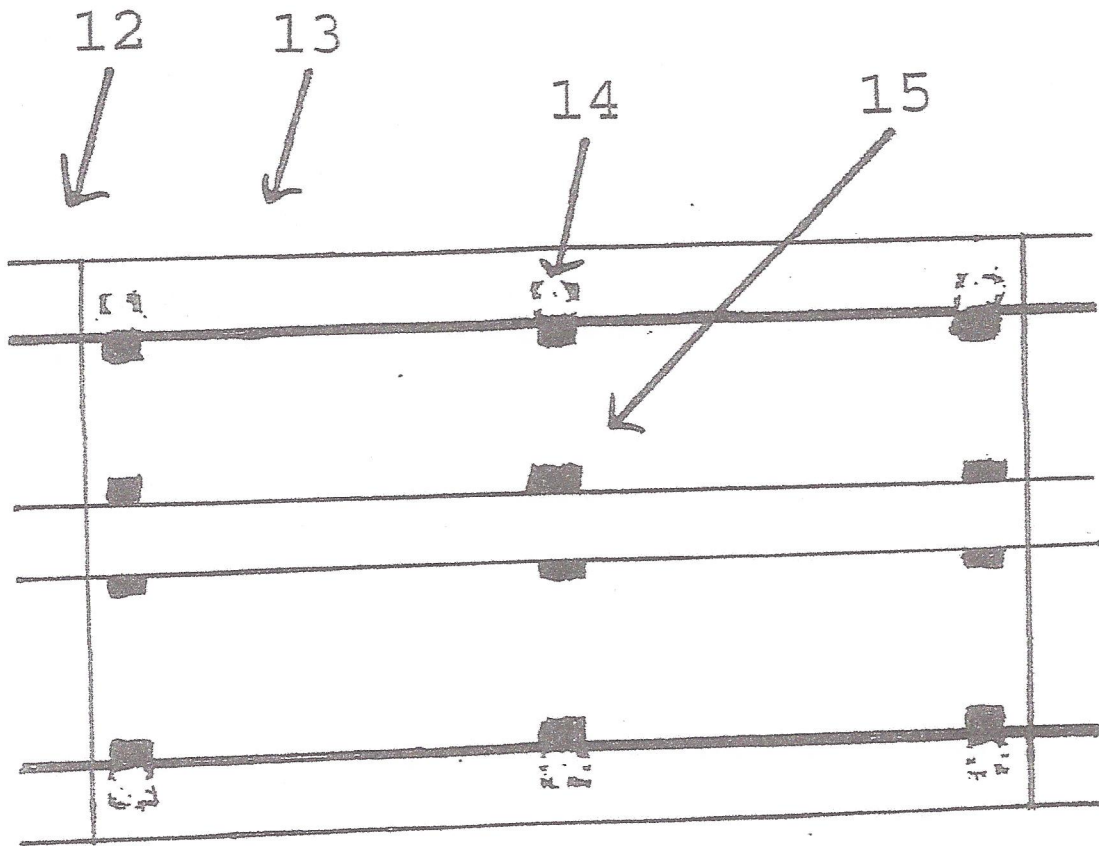


FIG. 4

5/12

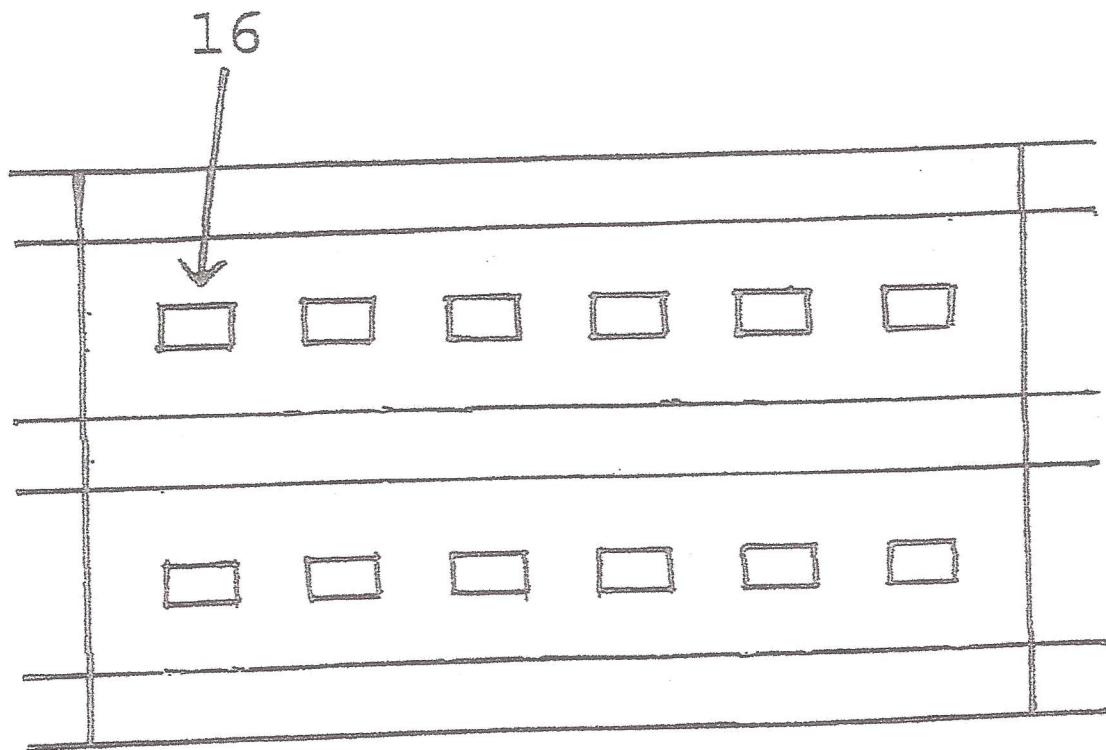


FIG. 5

6/12

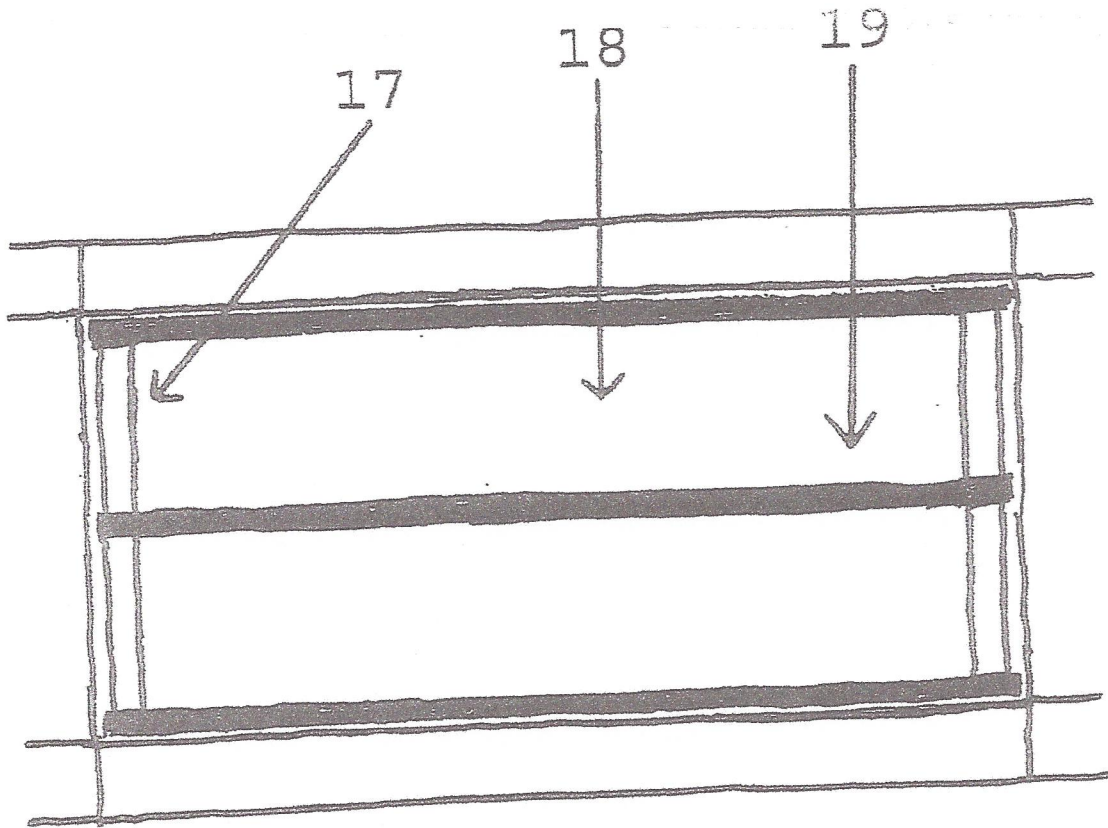


FIG. 6

7/12

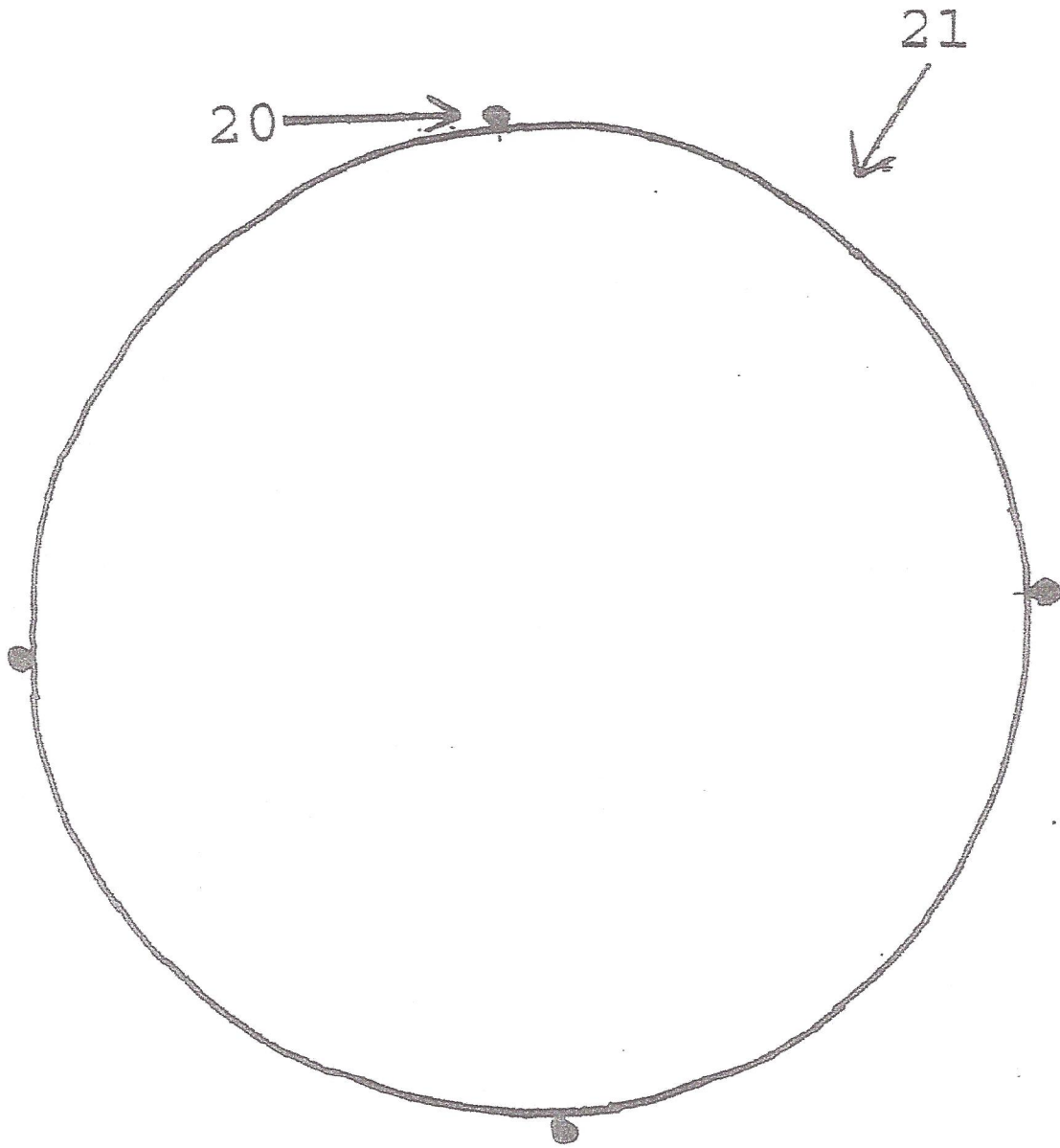


FIG. 7

8/12

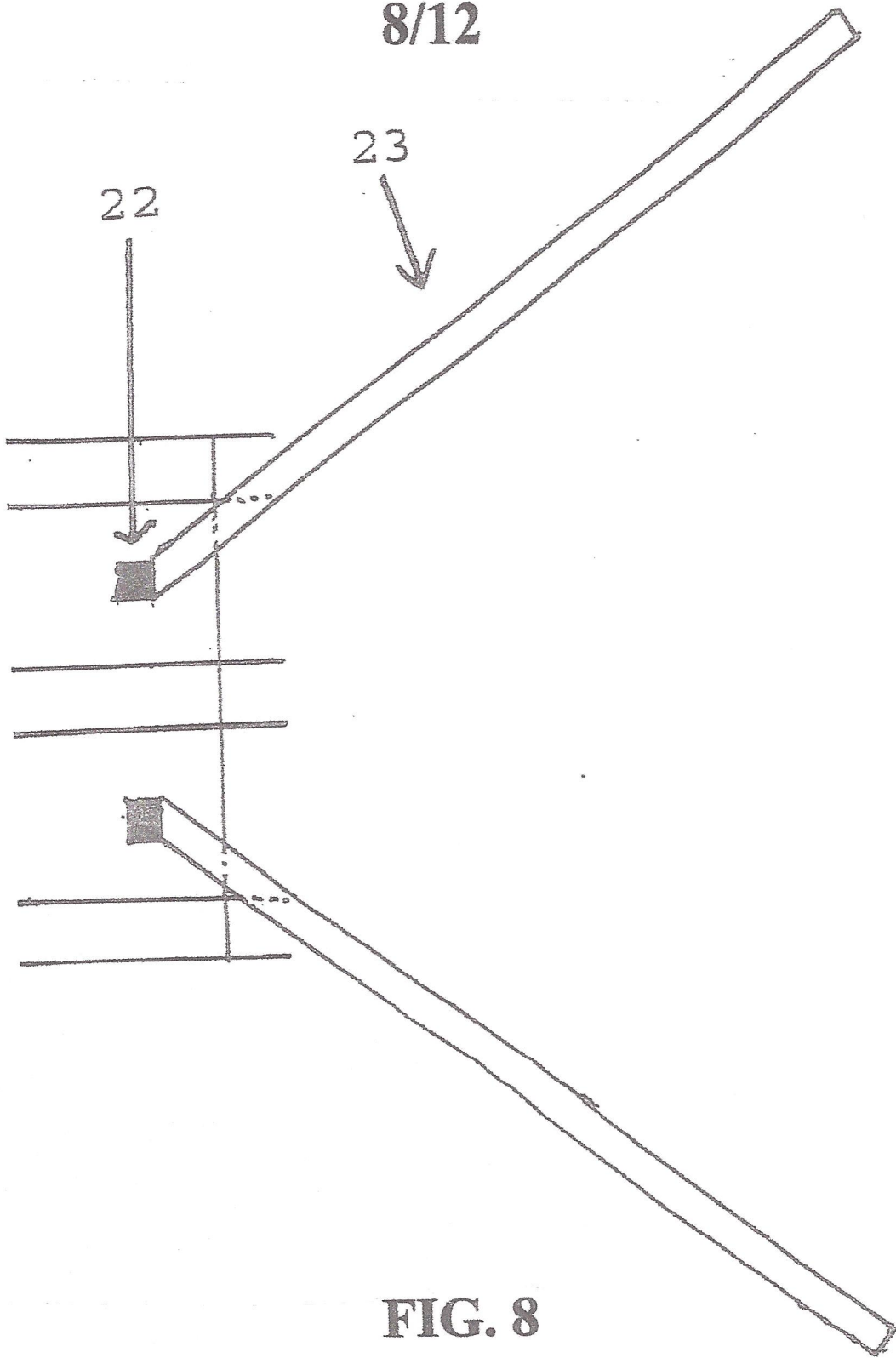


FIG. 8

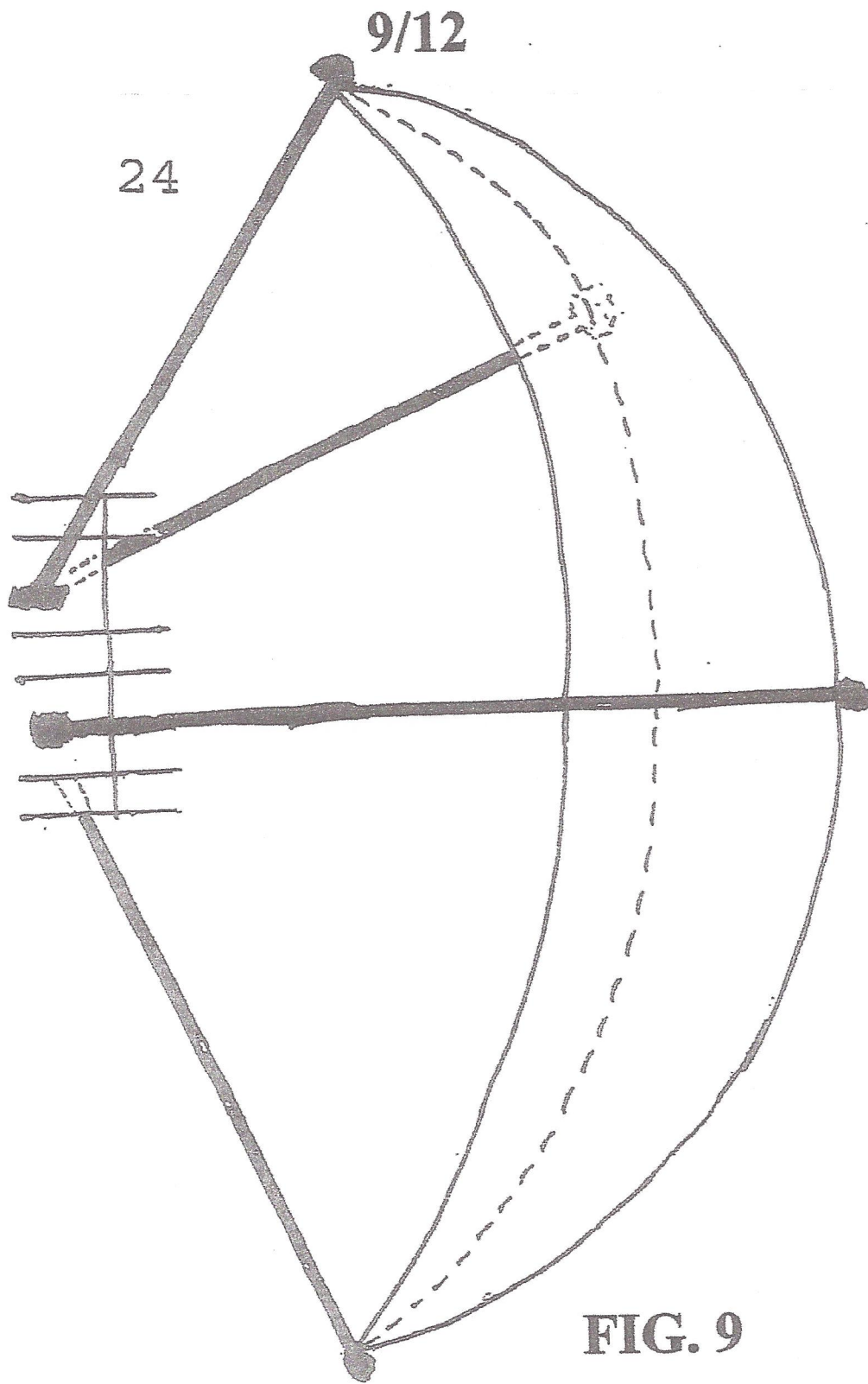


FIG. 9

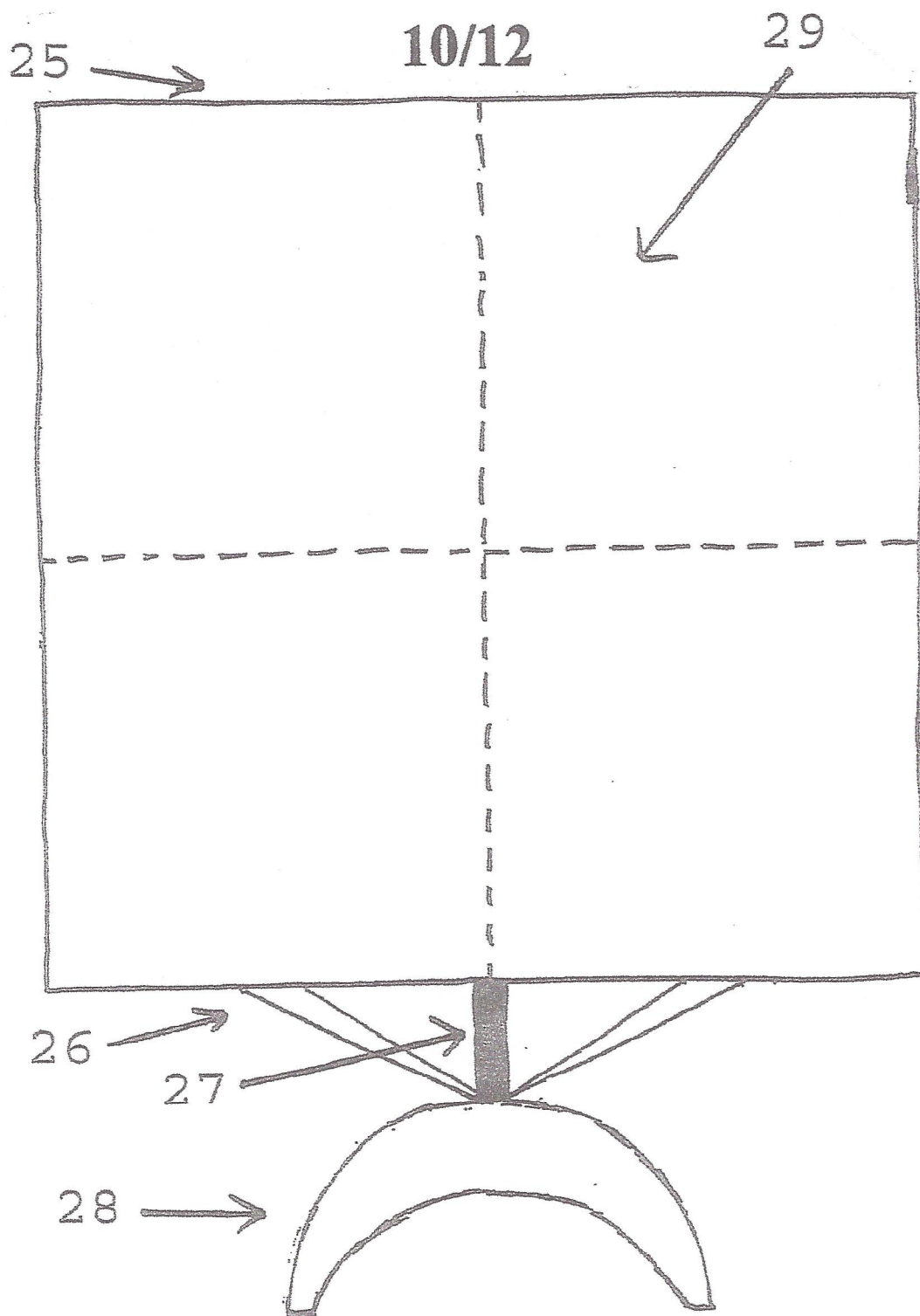
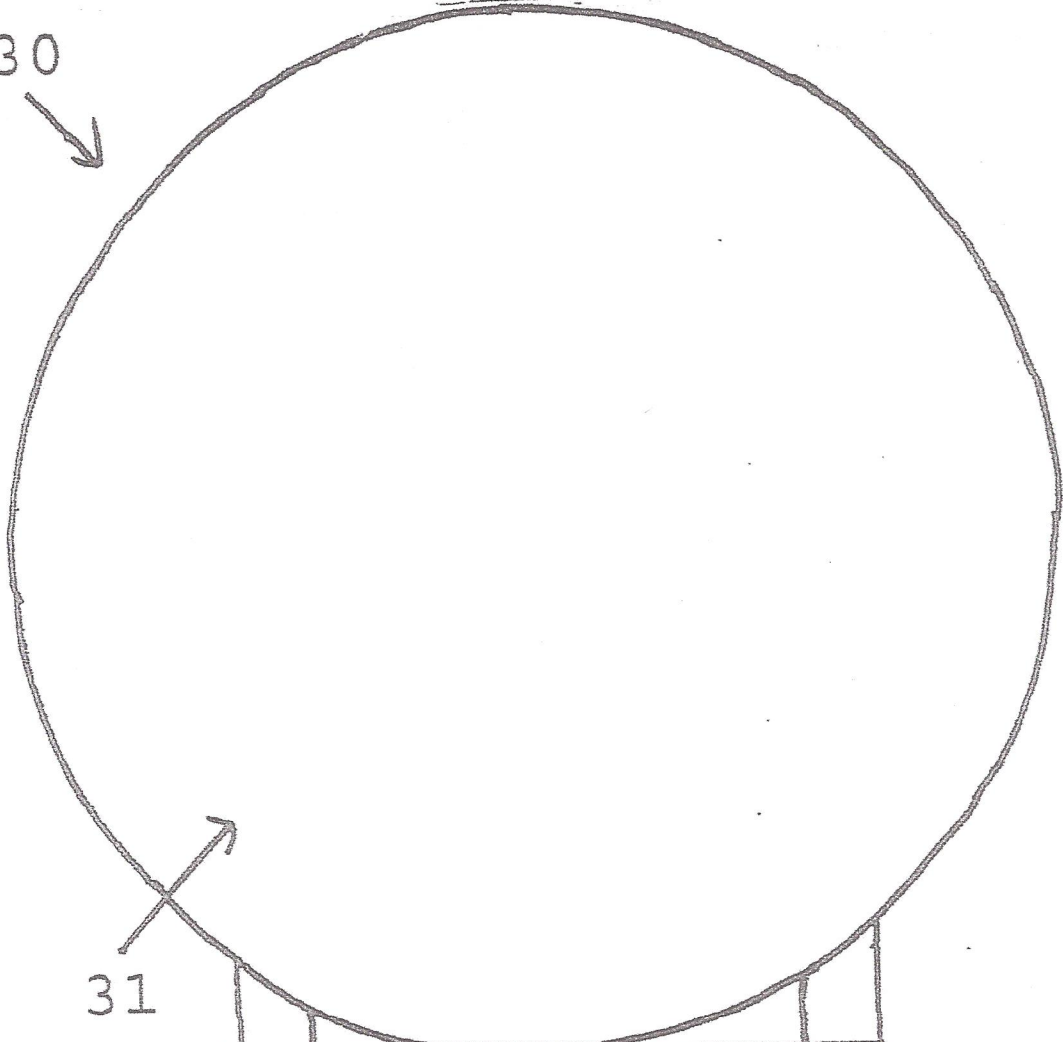


FIG. 10

11/12

30



31

32

33

34

35

36

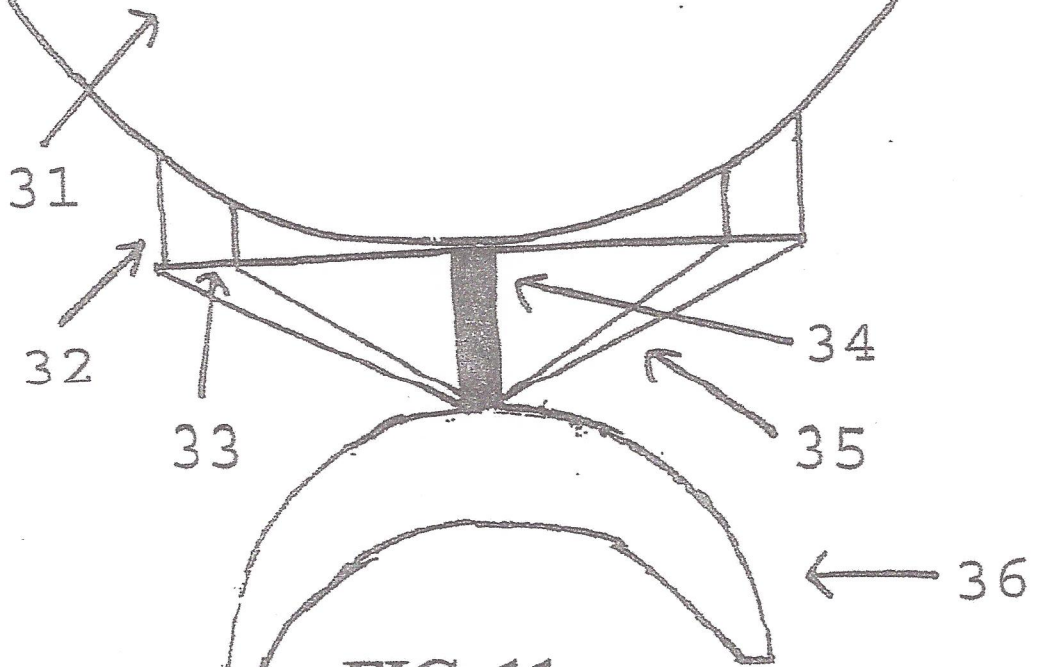


FIG. 11

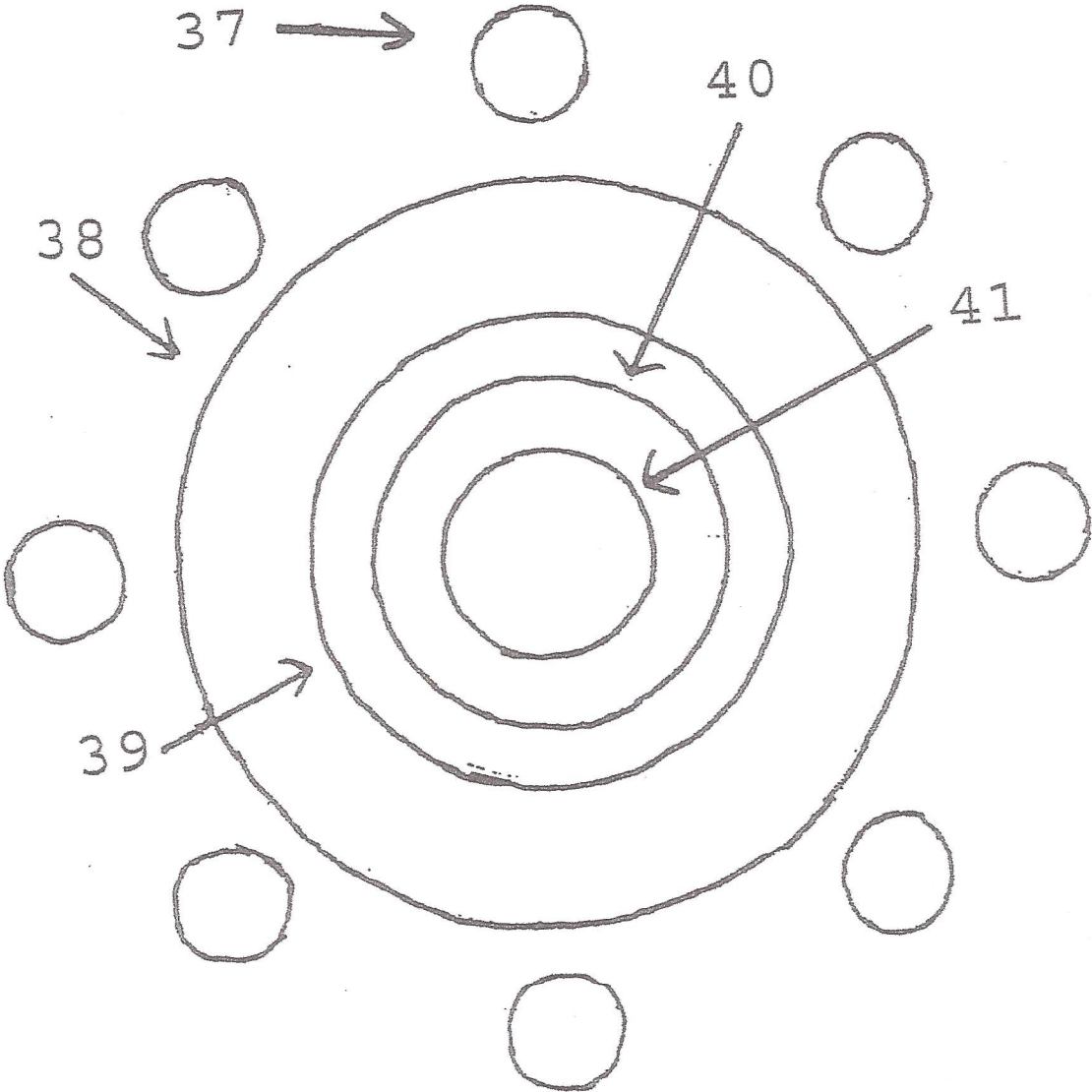


FIG. 12

In the claims:

1. A weapon system utilizing a main long cylinder with a lens magnification chamber.
2. A weapon system utilizing a main long cylinder which magnified ultraviolet sun rays pass through.
3. A weapon system utilizing maintenance hatch systems.
4. A weapon system utilizing a motorized protective shroud systems.
5. A weapon system utilizing a main long cylinder with an oval adjustable reflective transfer.
6. A weapon system utilizing square shaped reflective transfer relays.
7. A weapon system utilizing oval shaped reflective transfer relays.

ABSTRACT

This invention a weapon system is created to protect watch, and guard the free world. It is designed for development and use by the United States of America for the primary protection of those that prefer the confidence of safety and security. The function is to aid with the war on terrorism and drugs. This innovation is a defense system. The weapon system is designed to magnify sunrays from Earth's outer atmosphere. The operation of the weapon system is designed to be functional by both day and night. Through the use of reflective relay panels and Earth's outer atmosphere sunrays are directed to the weapon system. The sunrays pass through a chamber which contains a series magnification lens systems. The targeting system is designed to eliminate a single combatant with a variable expanding to eliminate entire countries. The weapon system is an apparatus which deals with satellite control systems. Implementation of the weapon system will be cost-effective to America and save American lives. This weapon system is not labor intensive. Because there is no use of nuclear technology this eliminates any radioactive nuclear fallout.

Application No.: 14/726,657

Filing Date: 06/01/2015

ASSIGNMENT

WHEREAS, I, Michael Bickelmeyer of, North Royalton, Ohio 44133, USA, (hereinafter referred to as "Assignor") is the owner of U.S. Patent Application Serial No. 14/726,657, filed June 1, 2015 and titled A GIFT FOR CHILDREN, and being owner of all right, title and interest in and to said application and in and to any invention described therein and having full right to convey the entire interest both legal and equitable herein assigned; and

WHEREAS, Bugger & Hund Inc. of North Royalton, Ohio 44133, USA (hereinafter referred to as "Assignee") is desirous of acquiring the entire right, title and interest in and to said application and said invention described therein and any and all patents to be obtained therefor, all as hereinafter set forth:

NOW, THEREFORE, in consideration of good and valuable consideration received by the Assignor, the Assignor does hereby sell, assign transfer and set over unto said Assignee, its successors and assigns, the entire right, title and interest in and to said Invention or Inventions, as described in the aforesaid application, in any form or embodiment thereof, and in and to the aforesaid application; and in and to any application filed in any foreign country based thereon, including the right to file said foreign applications under the provisions of the International Convention; also the entire right, title and interest in and to any and all patents or reissues or extensions thereof to be obtained in this or any foreign country upon said invention or inventions and any divisional, continuation, continuation-in-part or substitute applications which may be filed upon said invention or inventions in this or any foreign country; and the Assignor hereby authorizes and requests the issuing authority to issue any and all patents on said application or applications to said Assignee or its successors and assigns.

The Assignor further agrees to have executed all divisional, continuing, substitute, improvement, extension, reissue and other patent applications in this or any foreign country relating to said application or invention and to have signed all other lawful papers and to perform all other lawful acts without further consideration, but without expense to the Assignor, which the Assignee may deem necessary or desirable to make this Assignment fully effective including by way of example, but not of limitation, the following acts:

1. Prompt execution of all lawful oaths, affidavits and/or supplemental oaths required or deemed advisable by the assignee to further the prosecution of any application or application for letters patent relating to the subject matter of this Assignment;
2. To cooperate to the best of my ability in the execution of all lawful documents, the production of evidence, and the giving of testimony in interference, opposition, nullification or infringement proceedings involving the said invention or improvement, applications or patents or any of them.

By



Michael Bickelmeyer

June 01, 2015

Date



United States Patent and Trademark Office

[Home](#) | [Site Index](#) | [Search](#) | [Guides](#) | [Contacts](#) | [eBusiness](#) | [eBiz alerts](#) | [News](#) | [Help](#)


Electronic Patent Assignment System

Confirmation Receipt

Your assignment has been received by the USPTO.
The coversheet of the assignment is displayed below:

PATENT ASSIGNMENT COVER SHEET

Electronic Version v1.1
Stylesheet Version v1.2

SUBMISSION TYPE:	NEW ASSIGNMENT
NATURE OF CONVEYANCE:	ASSIGNMENT
CONVEYING PARTY DATA	
Name	Execution Date
MICHAEL BICKELMEYER	06/01/2015
RECEIVING PARTY DATA	
Name:	BUGGER & HUND INC.
Street Address:	12540 DEER CREEK DRIVE APT. 103
City:	NORTH ROYALTON
State/Country:	OHIO
Postal Code:	44133
PROPERTY NUMBERS Total: 1	
Property Type	Number
Application Number:	14726657
CORRESPONDENCE DATA	

Fax Number:
Phone: 4408763672
Email: M.Bickelmeyer@yahoo.com
Correspondence will be sent to the e-mail address first; if that is unsuccessful, it will be sent using a fax number, if provided; if that is unsuccessful, it will be sent via US Mail.
Correspondent Name: MICHAEL BICKELMEYER
Address Line 1: 12540 DEER CREEK DRIVE APT. 103
Address Line 4: NORTH ROYALTON, OHIO 44133

NAME OF SUBMITTER:	MICHAEL BICKELMEYER
Signature:	/Michael Bickelmeyer/
Date:	06/01/2015
	This document serves as an Oath/Declaration (37 CFR 1.63).
Total Attachments: 1 source=Application14726657PDF#page1.tif	
RECEIPT INFORMATION EPAS ID: PAT3376648 Receipt Date: 06/01/2015	

[Return to home page](#)

[HOME](#) | [INDEX](#) | [SEARCH](#) | [eBUSINESS](#) | [CONTACT US](#) | [PRIVACY STATEMENT](#)