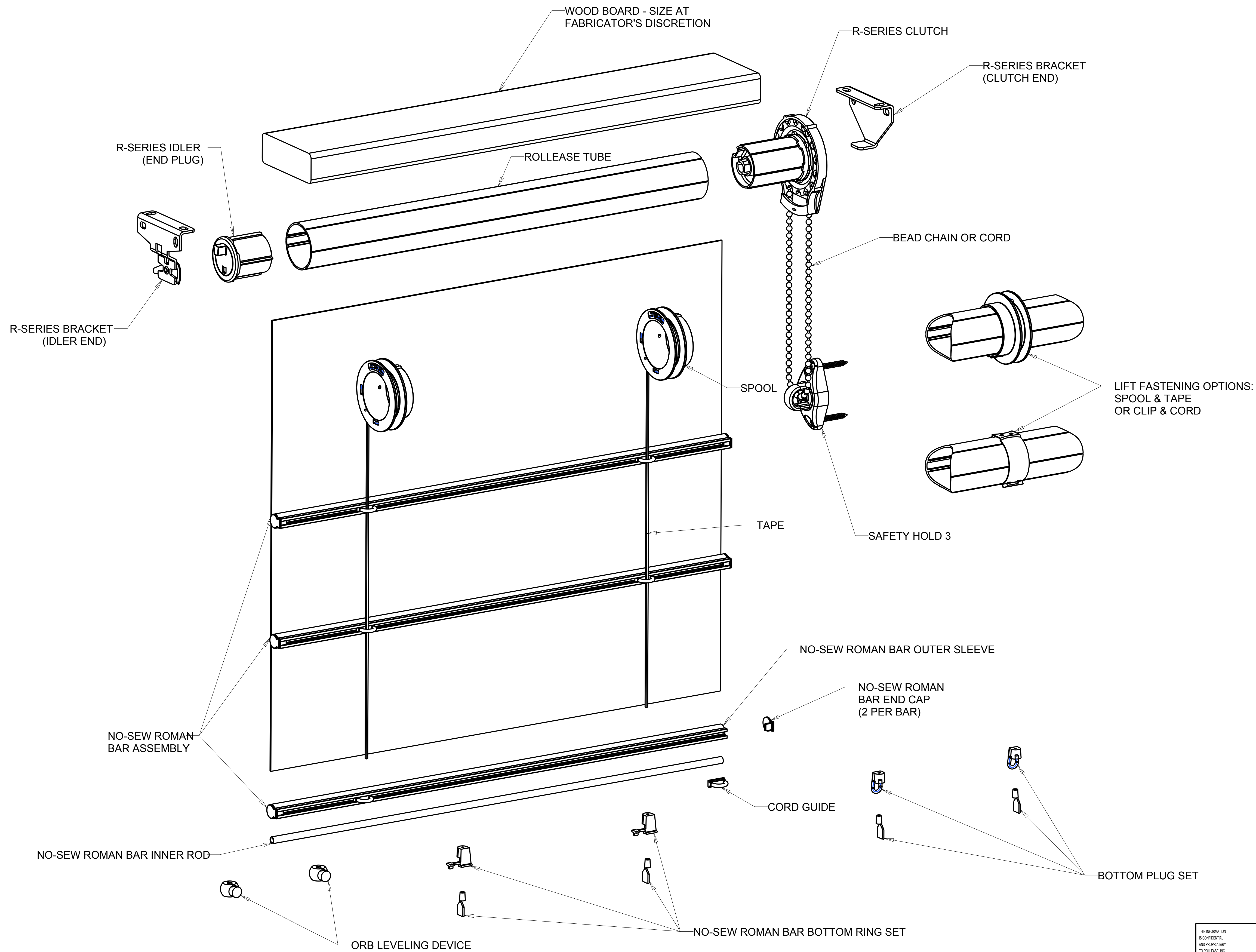


REVISION RECORD				
SYM	DESCRIPTION	BY	DATE	CHK



<small>THIS INFORMATION IS CONFIDENTIAL AND PROPRIETARY TO ROLLEASE, INC. THE POSSESSOR AGREES TO MAINTAIN THIS INFORMATION AS CONFIDENTIAL, NOT REPRODUCE OR DISSEMINATE IN WHOLE OR IN PART TO ANY THIRD PARTY.</small>	INCHES	RollEase Window Covering Systems		
	TOLERANCES	<small>XXX ± 0.015</small> <small>XXXX ± 0.005</small> <small>ANG ± 1°</small>	<small>DESIGNED BY</small> <small>TITLE</small> <small>DATE</small>	<small>SCALE</small> <small>ENGINEERING/CHKNG NUMBER</small> <small>REV</small>
	RAE	ROLLER ROMAN R-16	1.4	
	14MAY13	D	W174P025	1