

LP-16 Datasheet

# LP-16

LP16 Power/Signal	Product Series	LP-16						LP-16										
	Pin Number	2PIN		3PIN		4PIN		5PIN		7PIN		8PIN		9PIN		RJ45	Type- C	—
	Contact Layout																	—
	Current Rating(A)	10		10		10		5		5		5		5		1.5	3	—
	Voltage Rating(V)	400		400		400		250		250		250		250		125	5	—
	Cable O.D(mm)	φ3.0~φ5.0		φ5.0~φ7.0		φ7.0~φ9.0				φ3.0~φ5.0		φ5.0~φ7.0		φ7.0~φ9.0				—
	Wire Gauge	1.0-1.5mm <sup>2</sup> / 18-16AWG		1.0-1.5mm <sup>2</sup> / 18-16AWG		1.0-1.5mm <sup>2</sup> / 18-16AWG		0.34-0.5mm <sup>2</sup> /22-20AWG		0.34-0.5mm <sup>2</sup> /22-20AWG		0.34-0.5mm <sup>2</sup> /22-20AWG				—	—	—
	Protection Level	Connection Status IP68						Connection Status IP68						Connection Status IP67		Connection Status IP68		—
	Terminal Type	Soldering/Screwing		Soldering/Screwing		Soldering		Soldering		Soldering		Soldering		Soldering		CAT.3~CAT.6		GEN1(5Gbps) GEN2(10Gbps)
Illustration	Material	Part No						Part No										
	Plastic	Male	LP-16-C02PE-02-001	LP-16-C03PE-02-001	LP-16-C04PE-02-001	LP-16-C05PE-02-001	LP-16-C07PE-02-001	LP-16-C08PE-02-001	LP-16-C09PE-02-001	LP-16-C/RJ45/015/PE-42-001	LP-16-TYPEC-MP-MP-1M-002	—						
		Female	LP-16-J02PE-02-001	LP-16-J03PE-02-001	LP-16-J04PE-02-001	LP-16-J05PE-02-001	LP-16-J07PE-02-001	LP-16-J08PE-02-001	LP-16-J09PE-02-001	—	—	—						
	Plastic	Male	LP-16-C02PP-02-001	LP-16-C03PP-02-001	LP-16-C04PP-02-001	LP-16-C05PP-02-001	LP-16-C07PP-02-001	LP-16-C08PP-02-001	LP-16-C09PP-02-001	—	—	—						
		Female	LP-16-J02PP-02-001	LP-16-J03PP-02-001	LP-16-J04PP-02-001	LP-16-J05PP-02-001	LP-16-J07PP-02-001	LP-16-J08PP-02-001	LP-16-J09PP-02-001	LP-16-J/RJ45/213/PP-42-001	—	—						
	Plastic	Male	LP-16-C02SX-02-101	LP-16-C03SX-02-101	LP-16-C04SX-02-101	LP-16-C05SX-02-101	LP-16-C07SX-02-101	LP-16-C08SX-02-101	LP-16-C09SX-02-101	—	LP-16-J/TYP C31/215/SX-42-101	—						
		Female	LP-16-J02SX-02-101	LP-16-J03SX-02-101	LP-16-J04SX-02-101	LP-16-J05SX-02-101	LP-16-J07SX-02-101	LP-16-J08SX-02-101	LP-16-J09SX-02-101	LP-16-J/RJ45/110/SX-02-101	—	—						
	Plastic	Male	—	—	—	—	—	—	—	—	—	—						
		Female	—	—	—	—	—	—	—	—	LP-16-J/RJ45/113/SX-02-201	—						
	Plastic	Male	LP-16-C02SX-02-401	LP-16-C03SX-02-401	LP-16-C04SX-02-401	LP-16-C05SX-02-401	LP-16-C07SX-02-401	LP-16-C08SX-02-401	LP-16-C09SX-02-401	—	—	—						
		Female	LP-16-J02SX-02-401	LP-16-J03SX-02-401	LP-16-J04SX-02-401	LP-16-J05SX-02-401	LP-16-J07SX-02-401	LP-16-J08SX-02-401	LP-16-J09SX-02-401	LP-16-J/RJ45/113/SX-02-201	LP-16-J/TYP C31/215/SX-42-401	—						

LP-16 Datasheet

# LP-16

LP16 Power/Signal	Product Series	LP-16						LP-16										
	Pin Number	2PIN		3PIN		4PIN		5PIN		7PIN		8PIN		9PIN		—	—	—
	Contact Layout															—	—	—
	Current Rating(A)	10		10		10		5		5		5		5		—	—	—
	Voltage Rating(V)	400		400		400		250		250		250		250		—	—	—
	Cable O.D(mm)	φ3.0~φ5.0		φ5.0~φ7.0		φ7.0~φ9.0				φ3.0~φ5.0		φ5.0~φ7.0		φ7.0~φ9.0		—	—	—
	Wire Gauge	1.0~1.5mm <sup>2</sup> / 18~16AWG		1.0~1.5mm <sup>2</sup> / 18~16AWG		1.0~1.5mm <sup>2</sup> / 18~16AWG		0.34~0.5mm <sup>2</sup> /22~20AWG		0.34~0.5mm <sup>2</sup> /22~20AWG		0.34~0.5mm <sup>2</sup> /22~20AWG		0.34~0.5mm <sup>2</sup> /22~20AWG		—	—	—
	Protection Level	Connection Status IP68						Connection Status IP68										
	Terminal Type	Soldering/Screwing		Soldering/Screwing		Soldering		Soldering		Soldering		Soldering		Soldering				
Illustration	Material	Part No						Part No										
	Metal + Plastic	Male	LP-16-C02PE-01-001	LP-16-C03PE-01-001	LP-16-C04PE-01-001	LP-16-C05PE-01-001		LP-16-C07PE-01-001	LP-16-C08PE-01-001	LP-16-C09PE-01-001	—	—	—					
		Female	LP-16-J02PE-01-001	LP-16-J03PE-01-001	LP-16-J04PE-01-001	LP-16-J05PE-01-001		LP-16-J07PE-01-001	LP-16-J08PE-01-001	LP-16-J09PE-01-001	—	—	—					
		Male	LP-16-C02PP-01-001	LP-16-C03PP-01-001	LP-16-C04PP-01-001	LP-16-C05PP-01-001		LP-16-C07PP-01-001	LP-16-C08PP-01-001	LP-16-C09PP-01-001	—	—	—					
		Female	LP-16-J02PP-01-001	LP-16-J03PP-01-001	LP-16-J04PP-01-001	LP-16-J05PP-01-001		LP-16-J07PP-01-001	LP-16-J08PP-01-001	LP-16-J09PP-01-001	—	—	—					
	Metal	Male	LP-16-C02SX-03-101	LP-16-C03SX-03-101	LP-16-C04SX-03-101	LP-16-C05SX-03-101		LP-16-C07SX-03-101	LP-16-C08SX-03-101	LP-16-C09SX-03-101	—	—	—					
		Female	LP-16-J02SX-03-101	LP-16-J03SX-03-101	LP-16-J04SX-03-101	LP-16-J05SX-03-101		LP-16-J07SX-03-101	LP-16-J08SX-03-101	LP-16-J09SX-03-101	—	—	—					
		Male	LP-16-C02SX-03-401	LP-16-C03SX-03-401	LP-16-C04SX-03-401	LP-16-C05SX-03-401		LP-16-C07SX-03-401	LP-16-C08SX-03-401	LP-16-C09SX-03-401	—	—	—					
		Female	LP-16-J02SX-03-401	LP-16-J03SX-03-401	LP-16-J04SX-03-401	LP-16-J05SX-03-401		LP-16-J07SX-03-401	LP-16-J08SX-03-401	LP-16-J09SX-03-401	—	—	—					

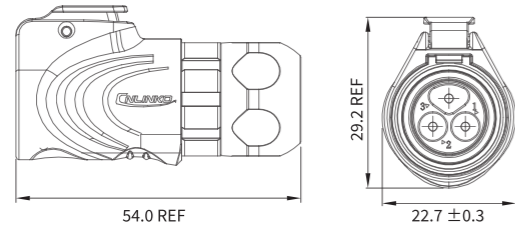
LP-16 Datasheet

# LP-16

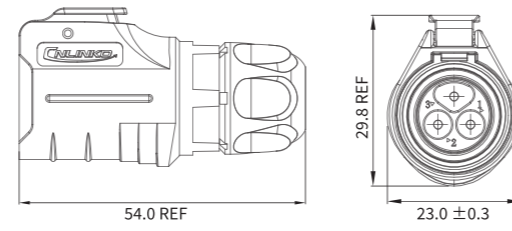
LP16 Power/Signal	Product Series		LP-16					LP-16														
	Pin Number		2PIN		3PIN		4PIN		5PIN		7PIN		8PIN		9PIN		RJ45		—		—	
	Contact Layout																		—		—	
			Male	Female	Male	Female	Male	Female	Male	Female	Male	Female	Male	Female	Male	Female						
	Current Rating(A)		10		10		10		5		5		5		5		1.5		—		—	
	Voltage Rating(V)		400		400		400		250		250		250		250		125		—		—	
	Cable O.D(mm)		φ3.0~φ5.0		φ5.0~φ7.0		φ7.0~φ9.0				φ3.0~φ5.0		φ5.0~φ7.0		φ7.0~φ9.0				—		—	
	Wire Gauge		1.0~1.5mm <sup>2</sup> / 18-16AWG		1.0~1.5mm <sup>2</sup> / 18-16AWG		1.0~1.5mm <sup>2</sup> / 18-16AWG		0.34~0.5mm <sup>2</sup> /22-20AWG		0.34~0.5mm <sup>2</sup> /22-20AWG		0.34~0.5mm <sup>2</sup> /22-20AWG		0.34~0.5mm <sup>2</sup> /22-20AWG				—		—	
	Protection Level		Connection Status IP68										Connection Status IP68									
	Terminal Type		Soldering/Screwing		Soldering/Screwing		Soldering		Soldering		Soldering		Soldering		Soldering		CAT.3~CAT.6					
Illustration	Material	Part No					Part No															
	Metal	Male	LP-16-C02PE-03-001	LP-16-C03PE-03-001	LP-16-C04PE-03-001	LP-16-C05PE-03-001	LP-16-C07PE-03-001	LP-16-C08PE-03-001	LP-16-C09PE-03-001	LP-16-C/RJ45/015/PE-43-001	—	—	—	—	—	—	—	—	—	—	—	
		Female	LP-16-J02PE-03-001	LP-16-J03PE-03-001	LP-16-J04PE-03-001	LP-16-J05PE-03-001	LP-16-J07PE-03-001	LP-16-J08PE-03-001	LP-16-J09PE-03-001	—	—	—	—	—	—	—	—	—	—	—	—	—
	Metal + Plastic	Male	LP-16-C02PP-01-001	LP-16-C03PP-01-001	LP-16-C04PP-01-001	LP-16-C05PP-01-001	LP-16-C07PP-01-001	LP-16-C08PP-01-001	LP-16-C09PP-01-001	—	—	—	—	—	—	—	—	—	—	—	—	
		Female	LP-16-J02PP-01-001	LP-16-J03PP-01-001	LP-16-J04PP-01-001	LP-16-J05PP-01-001	LP-16-J07PP-01-001	LP-16-J08PP-01-001	LP-16-J09PP-01-001	—	—	—	—	—	—	—	—	—	—	—	—	—
	Metal	Male	LP-16-C02SX-03-101	LP-16-C03SX-03-101	LP-16-C04SX-03-101	LP-16-C05SX-03-101	LP-16-C07SX-03-101	LP-16-C08SX-03-101	LP-16-C09SX-03-101	—	—	—	—	—	—	—	—	—	—	—	—	
		Female	LP-16-J02SX-03-101	LP-16-J03SX-03-101	LP-16-J04SX-03-101	LP-16-J05SX-03-101	LP-16-J07SX-03-101	LP-16-J08SX-03-101	LP-16-J09SX-03-101	—	—	—	—	—	—	—	—	—	—	—	—	—
		Male	LP-16-C02SX-03-401	LP-16-C03SX-03-401	LP-16-C04SX-03-401	LP-16-C05SX-03-401	LP-16-C07SX-03-401	LP-16-C08SX-03-401	LP-16-C09SX-03-401	—	—	—	—	—	—	—	—	—	—	—	—	—
		Female	LP-16-J02SX-03-401	LP-16-J03SX-03-401	LP-16-J04SX-03-401	LP-16-J05SX-03-401	LP-16-J07SX-03-401	LP-16-J08SX-03-401	LP-16-J09SX-03-401	LP-16-J/RJ45/210/SX-03-401	—	—	—	—	—	—	—	—	—	—	—	—

**LP-16 Dimension Drawing (unit: mm)**

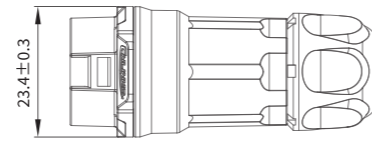
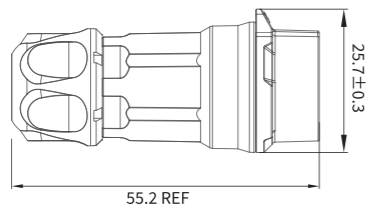
**Metal Plug**



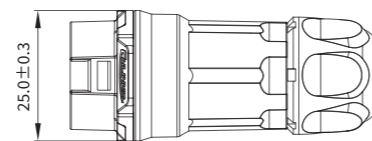
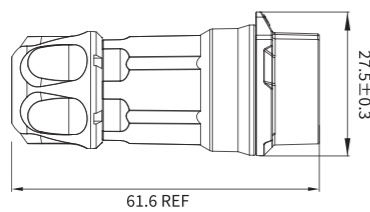
**Plastic Plug**



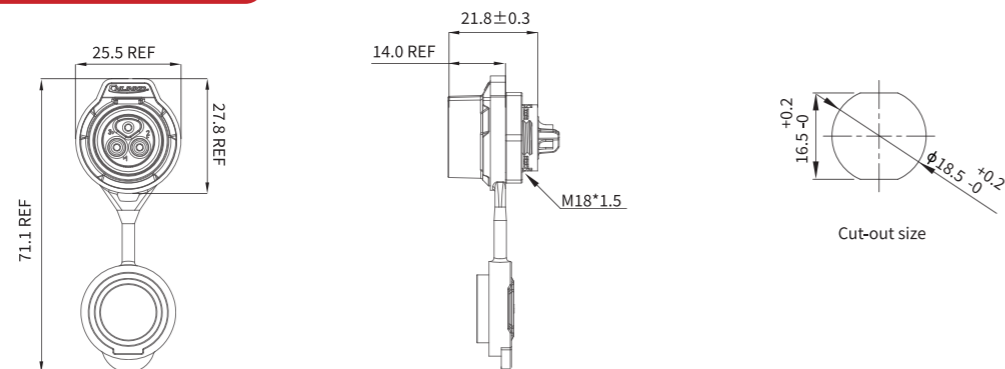
**In-line receptacle**



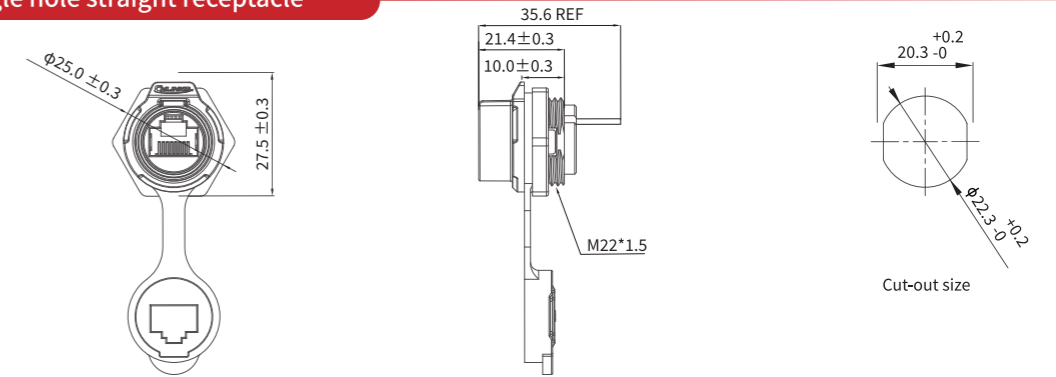
**RJ45 In-line receptacle**



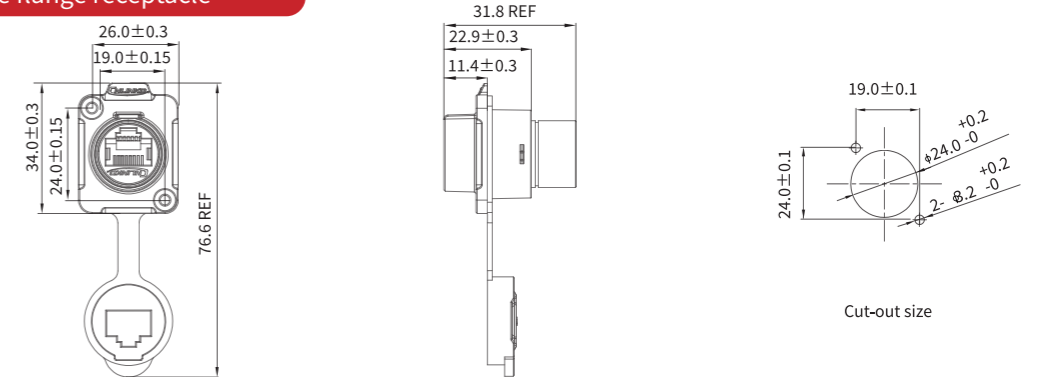
**Single hole straight receptacle**



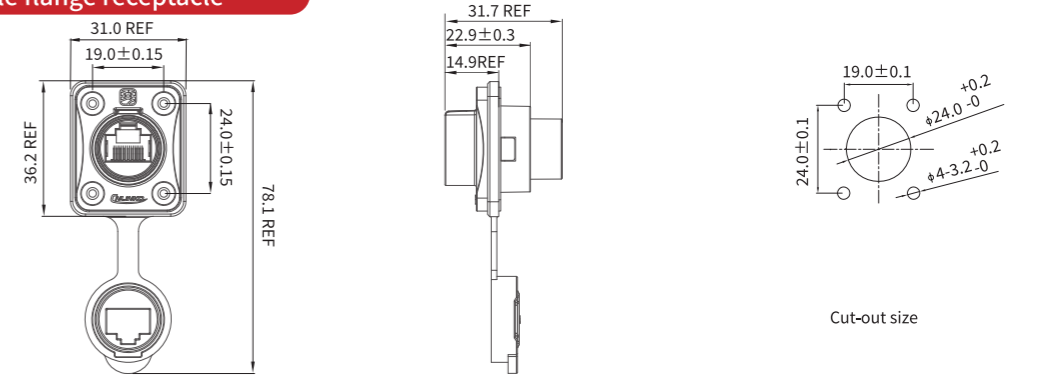
**RJ45 Single hole straight receptacle**



**RJ45 Two-hole flange receptacle**



**RJ45 Four-hole flange receptacle**



**Four-hole flange receptacle**

