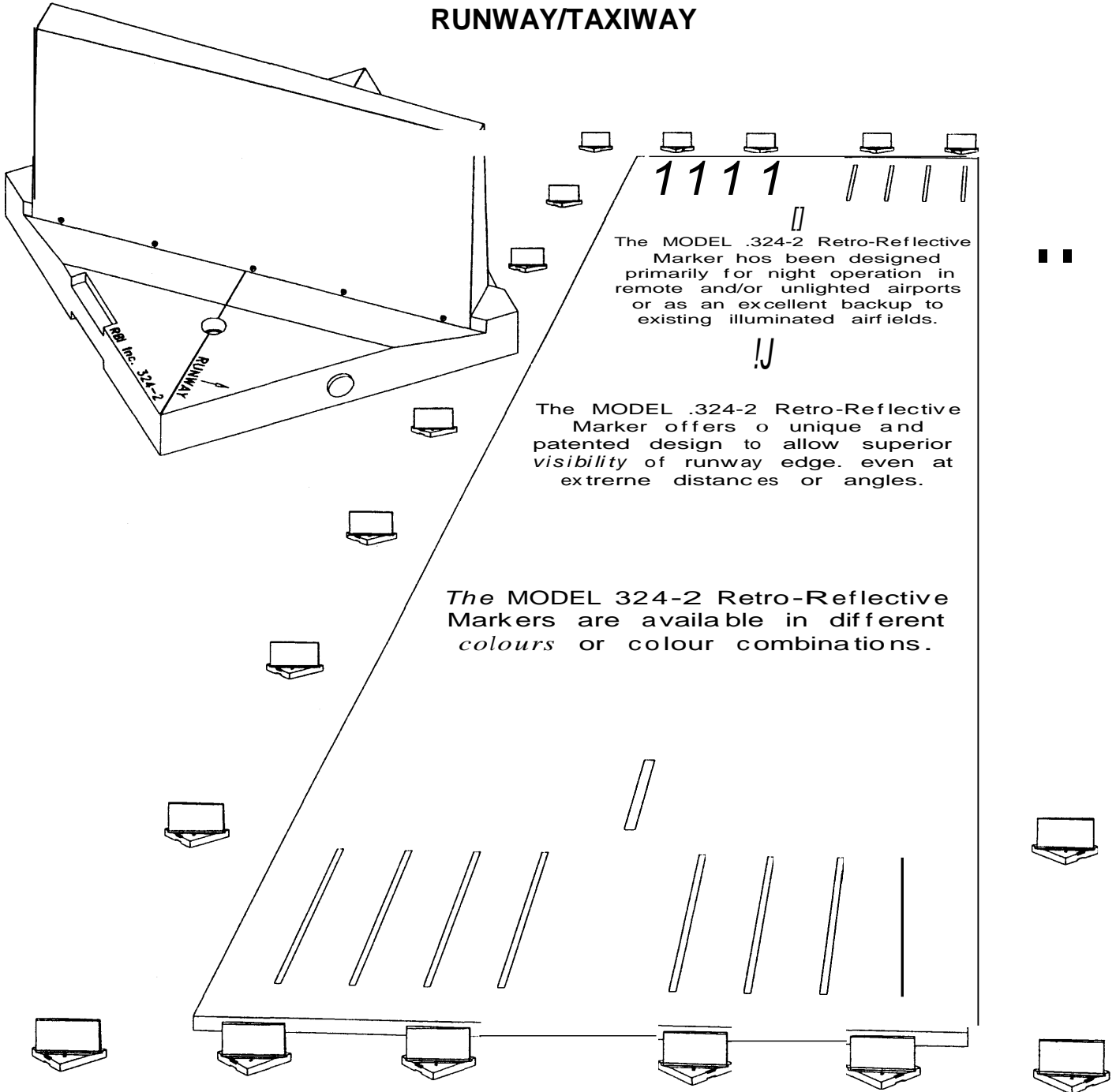


# MODEL 324-2

## MEDIUM INTENSITY

### RETRO-REFLECTIVE IDENTIFICATION MARKER RUNWAY/TAXIWAY



The MODEL .324-2 Retro-Reflective Marker has been designed primarily for night operation in remote and/or unlighted airports or as an excellent backup to existing illuminated airfields.

The MODEL .324-2 Retro-Reflective Marker offers a unique and patented design to allow superior visibility of runway edge, even at extreme distances or angles.

The MODEL 324-2 Retro-Reflective Markers are available in different colours or colour combinations.

**The Model 324 Retro-Reflective Marker** is secured to a molded polyethylene double sided base. The molded polyethylene base will accept the model 324-2 and 336-112 retro-reflective sheaths. This option allows for simple and inexpensive upgrading from M.I. (model 324-2) to H.I. (model 336-1/2). The visibility range of the Model 324-2 is approximately 2-4 NM and, in most cases, out performs lighting intensities of electrically powered systems. The Model 324-2 requires NO - Electricity and NO - Ground Support.

RBI Worldwide Inc

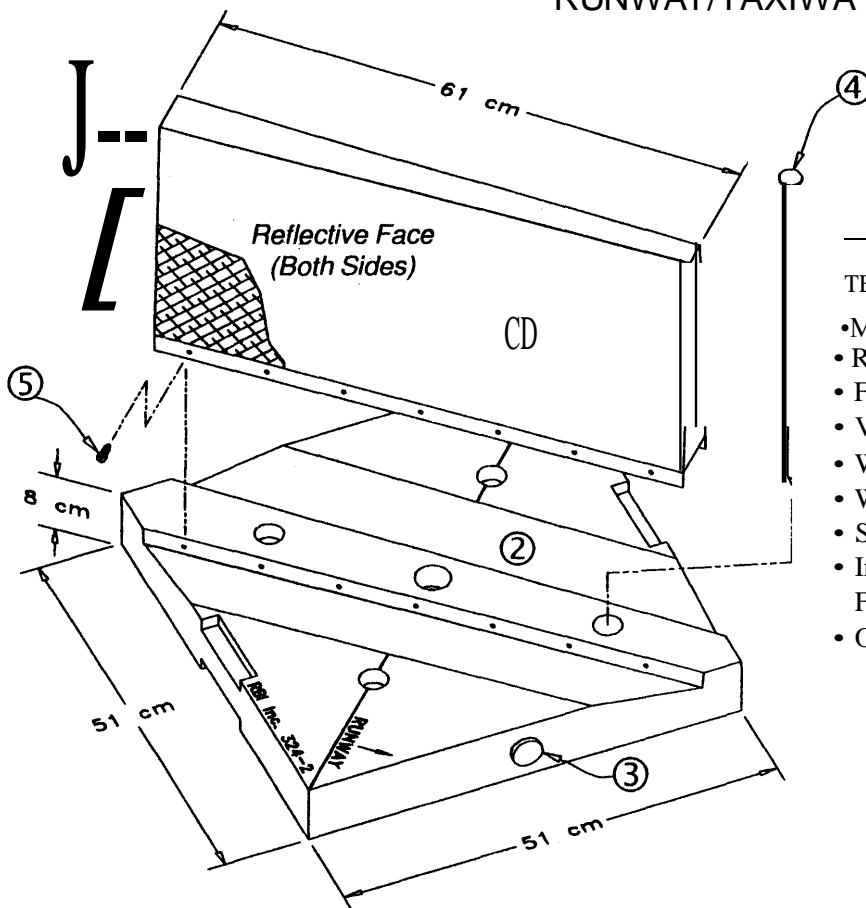
2539 N Balboa Ave suite 115 Tucson, AZ 85705

520-624-0042 Fax 520-624-0072

# MODEL 324-2

## MEDIUM INTENSITY

### RETRO-REFLECTIVE IDENTIFICATION MARKER RUNWAY/TAXIWAY



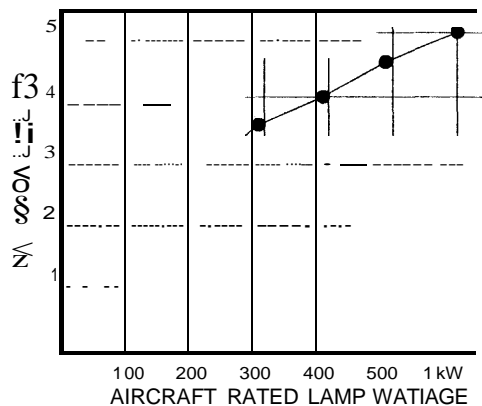
#### ASSEMBLY COMPONENTS

1.	ALUMINIUM SHEATH	(1)
2.	POLYETHYLENE BASE	(1)
3.	FILLING PLUG	(1)
4.	ANCHOR PINS	(4)
5.	FASTENING SCREWS	(14)

#### TECHNICAL FEATURES AND CHARACTERISTICS

- Meets all Aviation Authorities Requirements
- Rigid Anodized Aluminium Sheath
- Frangible
- Virtually Unbreakable Polyethylene Base
- Weatherproof: exposure to ice, snow & rain
- Wind Loads 200 kmph+
- Salt Air & Water Resistant
- Installation-Ballast Filled-Sand/Water and/or Four Anchor Pins
- Overall height 41 cm (16")

#### VISIBILITY RANGE GUIDE



- \* NO ELECTRICITY \*
- \* NO MAINTENANCE \*
- \* NO GROUND SUPPORT \*
- \* INSTALLS IN SECONDS \*

#### ORDER CODES

#### COMPONENT CODES

TYPE	USAGE	COLOUR	PART No.	DESCRIPTION
324-2-W	RUNWAY EDGE	WHITE	324-2-IOOW	RL - White Sheath
324-2-B	TAXIWAY EDGE	BLUE	324-2-IOSB	RL - Blue Sheath
324-2-T-R	THRESHOLD END (Right Hand)	RED/GREEN	324-2-11OTR	RL - Red/Green R/H Sheath
324-2-T-L	THRESHOLD END (Left Hand)	GREEN/RED	324-2-11ITL	RL - Green/Red L/H Sheath
324-2-R	HAZARD/WARNING	RED	324-2-1ISR	RL - Red Sheath
324-2-Y	APRON EDGE	YELLOW	324-2-120Y	RL - Yellow Sheath
			2436-PB	Polyethylene Base (Double Sided)
			2436-100	Base Filling Plug
			336-070	460 mm (18") Anchor Pin
			324-0-12	12 mm (1/2") Screw

RBI Worldwide Inc

2539 N Balboa Ave suite 115 Tucson, AZ 85705

520-624-0042 Fax 520-624-0072