

DROP IN GAS BURNER 18" X 6"

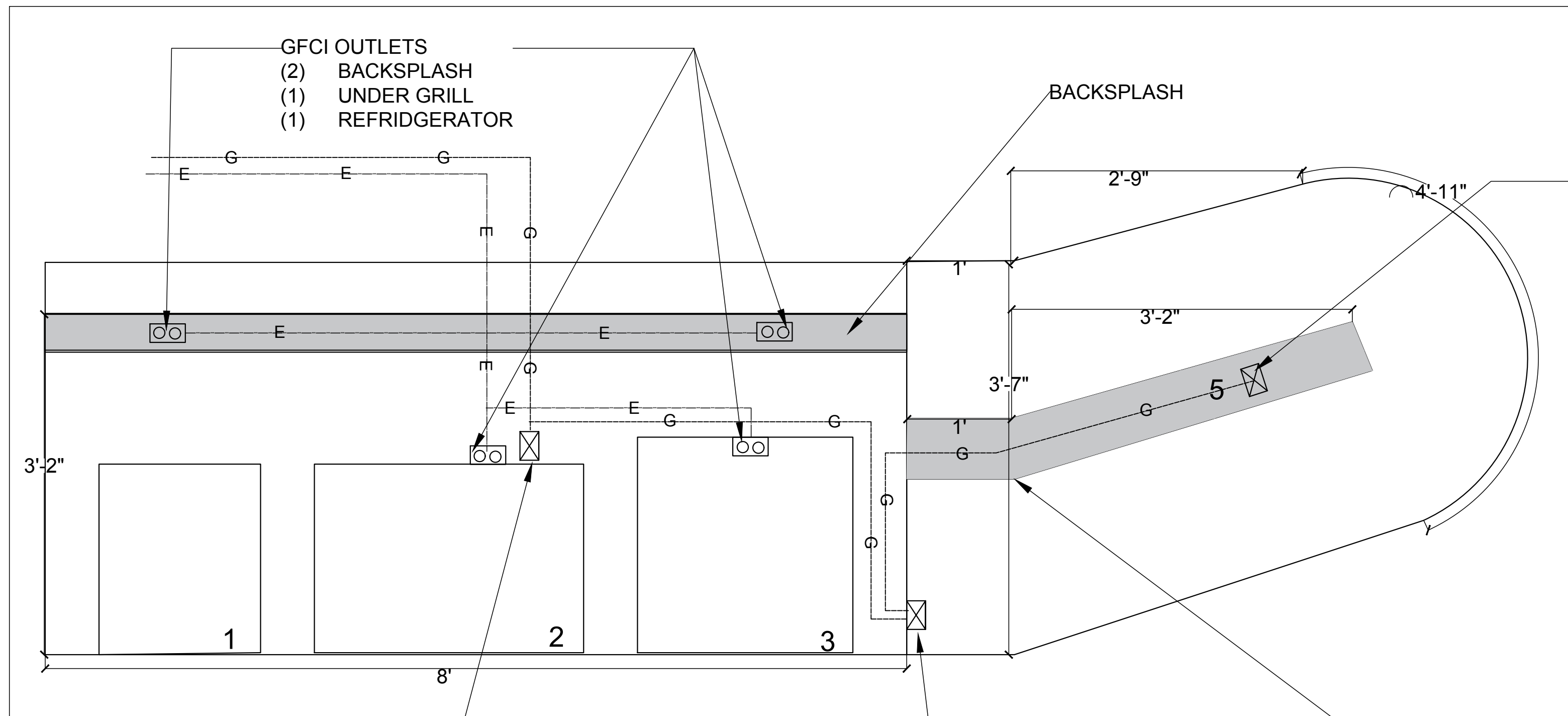
**CUTOUT DIMENSIONS**

1. TRASH CAN DOOR: 16.5"W X 24.25"H
2. DOOR/DRAWER COMBO: 29.25"W X 19"H
3. FRIDGE: 24" W X 24"D X 36" H
4. 32" GRILL: 30.5" W X 19.75"D X 9.5"H
5. FIRE PAN: 19"W X 7" D X 3"H

JOB NAME:  
 SITE ADDRESS: W WINSLOW WAY  
 UNIT: 21  
 LOT: 56  
 SCALE: NTS

**W WINSLOW WAY  
 ELOY, AZ 85131**

FRONT VIEW



GAS STUB  $\frac{3}{4}$ " FOR FIRE PAN TO RUN WITH GAS FLEX LINE FROM VALVE

**REVISIONS**

NO.	REVISION

DRAWN BY: AUDREY RODRIGUEZ  
 DATE: 11/15/18  
 SHEET CONTENTS: BBQ

TOP VIEW  
 TO COME FROM STUB WITH  $\frac{3}{4}$ " BALL VALVE THEN TEE OFF WITH ADDITIONAL BALL VALVE

6816 BLOCK

$\frac{3}{4}$ " FIRE KEY AND IGNITOR

AGE LANDSCAPE #277250  
 PO BOX 10981  
 CASA GRANDE, AZ 85130