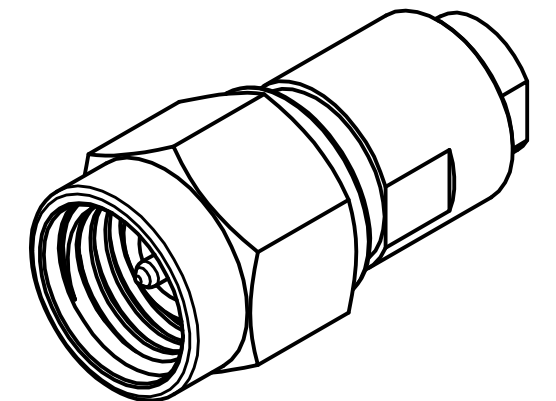
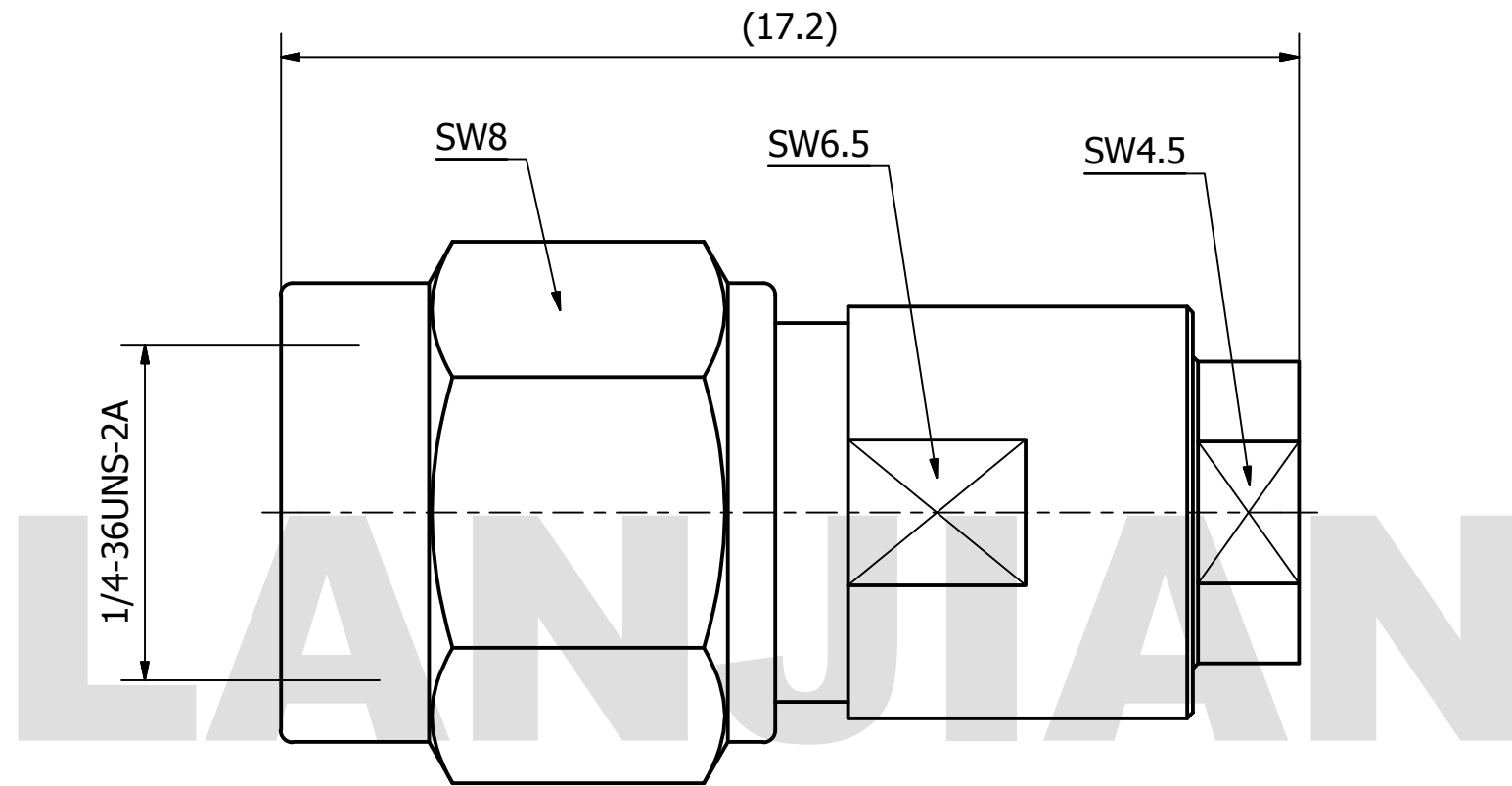


PRODUCT DATA SHEET



MATERIAL:
BODY: STAINLESS STEEL PER AMS-5640,
 ALLOY UNS S30300
CONTACT: BERYLLIUM COPPER PER ASTM B196.
 ALLOY NO. UNS C17300
INSULATOR: PEI
PERFORMANCE:
IMPEDANCE: 50 OHMS
FREQUENCY: DC TO 40 GHz
VSWR: ≤1.30

THIS DOCUMENT CONTAINS CONFIDENTIAL AND PROPRIETARY INFORMATION THAT CANNOT BE REPRODUCED OR DIVULGED, IN WHOLE OR IN PART, WITHOUT WRITTEN AUTHORIZATION FROM "LANJIAN ELECTRONICS"	MATERIAL :			<p style="font-size: 8px; margin: 0;">38 Hengtong Road, Xinqu Dingmao Zhenjiang, 212009, Jiangsu, P. R. China</p>
	UNLESS OTHERWISE SPECIFIED: DIMENSIONS IN MM			
	TOLERANCES :			
	X.X ±0.20	ANGULAR : ±1°	DEBURR AND	TITLE
	X.XX ±0.10	FILLETS R/C : ±0.10	BREAK SHARP	
	X.XXX ±0.01	SURFACE FINISH : Ra 1.6	EDGES	
DRAWN	NAME	DATE	SIGNATURE	
CHK'D				
APPV'D				
MFG				
PROJECTION	SIZE	SCALE		
	A3	8: 1		
DO NOT SCALE THE DRAWING			PAGE	
DWG No. GCPZ3.650.C.016-1			REV.	
1 / 1			1 / 1	