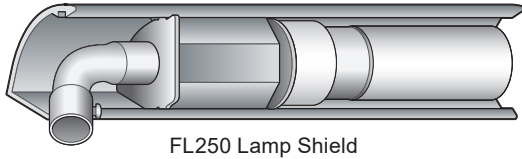
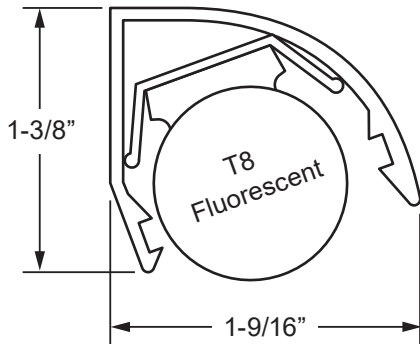


Linear T8 / T5 Fluorescent

Low profile linear T8 / T5 fixture for remote ballast installation



FL250 Lamp Shield



FL250 Lamp Shield
Actual Size

Specifications

- Unit includes a 100 - 277 Vac Ballast and enclosure.
- Extruded aluminum shield available in anodized brushed aluminum and polished brass finished.
- All fixtures made to specified length $\pm 1/32"$.
- Matching end caps, (optional).
- Available in T8: 15w, 17w, 25w, 32w, or 40w.
- Available in T5: 4w, 6w, 8w, 14w, 21w, 28w, or 35w.
- 2 year warranty
- Standard 4100K color.
- Unit includes all connecting hardware.
- Installed End Feed connector accepts 3/8" steel flex conduit (72").
- Installed Front Feed connector accepts 1/2" downtube plus flex conduit of 36".
- Wired with 9' primary voltage leads.
- Mounting accomplished with rails or fasteners through aluminum shield.



Made in the USA



UL Standard: 1598
UL File Number: 123228

T8 Watts \approx LTH.	T5 Watts \approx LTH.
13W \approx 12"	8W \approx 12"
14W \approx 15"	----
15W \approx 18"	----
17W \approx 24"	14W \approx 22"
25W \approx 36"	21W \approx 34"
32W \approx 48"	38W \approx 46"
40W \approx 59"	35W \approx 58"

MODEL	COLOR TEMP.	STANDARD FINISHES	FEED TYPE
FL250	4100K	CA - Brushed Satin GA - Brushed Gold BLK - Brushed Black BA - Polished Chrome BG - Polished Brass	Straight (End Feed) 90° (Front Feed)



Division of Alumafab Corp.

Showcase Components Inc.

14335 Iseli Rd. Santa Fe Springs, CA 90670
sales@ShowcaseComponents.com
www.ShowcaseComponents.com

(800) 982-5548

(562) 630-6440

Fax: (562) 633-1859