

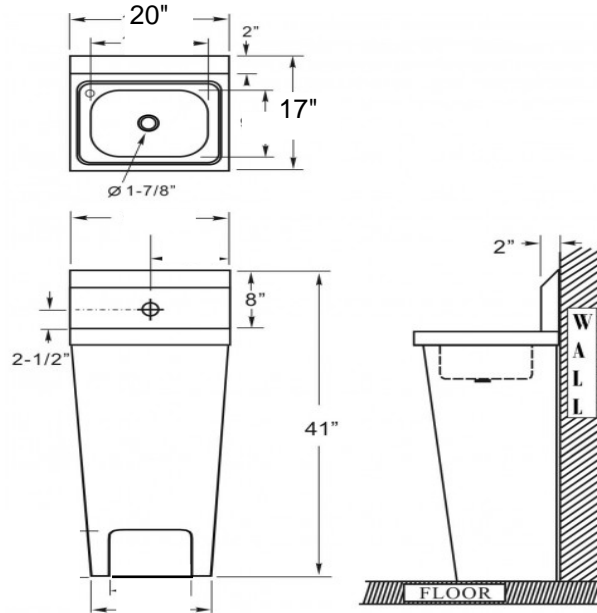
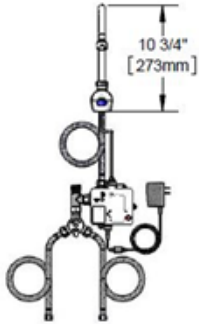
WICKETTS STAINLESS

Stainless Steel Hand Sink
WHS 1615-P-SF

SPECIFICATION

Type 304 Stainless Steel

- *Special polished satin finish.
- *304 stainless steel, 20 gauge.
- *Faucet & strainer included.



Product #	Description
WHS 1615-P-SF	Hand Sink With Sensor Operated And Pedestal

WICKETTS STAINLESS, LLC
2618 San Miguel Dr. Bldg.# 376
Newport Beach, CA 92660
Tel.(951)-858-2548
Fax.(951)-638-9059
sales@wickettsstainless.com
www.wickettsstainless.com



WARNING:
This product can expose you to chemicals, which are known to the State of California to cause cancer. For more information, visit www.P65Warnings.ca.gov.



Approved for Manufacturing
Company: _____
Signature: _____
Print: _____ Date: ____/____/____