

HRG

Herbert, Rowland & Grubic, Inc.
Engineering & Related Services

AN EMPLOYEE-OWNED COMPANY

Halifax Township Sewer Extension Project

Public Meetings Nos. 1 & 2

HALIFAX AREA WATER AND SEWER AUTHORITY

**HALIFAX
TOWNSHIP**

July 26, 2022 at 1:00 PM & 6:00 PM

Introductions

- > Herbert, Rowland & Grubic, Inc. (HRG) – Project Engineer
 - Justin Mendinsky, P.E. – Group Manager
 - Taylor Lebo, EIT – Staff Professional

- > Halifax Area Water and Sewer Authority (HAWASA)
 - Jeffrey Enders - Chairman

- > Halifax Township Board of Supervisors

Agenda

- > Halifax Township Act 537 Plan Summary
- > Sewer Extension Project Overview and Areas to be Served
- > Authority/Homeowner Responsibilities
- > Grinder Pump Information
- > Lateral Location Selection
- > Current Authority Fees
- > Available Funding Sources for Private Connections
- > Tentative Project Schedule
- > Questions

Halifax Township Act 537 Plan Summary

- > Act 537 of 1966 (PA Sewage Facilities Act) requires Cities, Townships, and Boroughs to prepare Official Plans for managing wastewater needs of the municipality
- > Official Plans contain information related to the wastewater needs of existing and future development in the municipality and identify “Needs Areas”
- > **Needs Areas** are existing developments in which the current wastewater disposal methods are inadequate (i.e. malfunctioning on-lot disposal systems or areas with soil unsuitable for on-lot disposal)

Halifax Township Act 537 Plan Summary

- > The Township's 2018 Act 537 Official Plan identified the following Needs Areas (current OLDS areas) for improved sewage disposal methods:
 - Matamoras
 - Parmer Drive
 - Triangle Manor
 - Peters Mountain Road (Route 225)
 - Galli Road and Lauren Lane
- > The Act 537 Plan also identified a need to provide sewer service for future phases of the Lenker Estates development; PA DEP requires that the current private WWTP be abandoned in the event a regional facility is constructed (i.e., expansion of the current HAWASA service area)
- > These Needs Areas were to be served by a combination gravity and low-pressure collection system with treatment at the upgraded HAWASA WWTP

Halifax Township Sewer Extension Project – Project Implementation

- > The Act 537 Plan's Implementation Schedule indicated that the sewer extension project would be constructed within 5 to 10 years of Plan approval, dependent upon funding availability
- > Implementation of the Project is to be carried out by HAWASA
- > PA DEP approved the Township's Act 537 Plan in March 2019
- > HAWASA engaged HRG to perform the Preliminary Design phase of the project in April 2019
- > All Permits were received by end of 2021
- > **In January 2022, the Authority was awarded a \$17,107,000 funding package to construct the Project including \$10,587,348 in grant funds and \$6,519,652 20-Year loan @ 1.0% Interest**

New Sewer Facilities Included in the Project

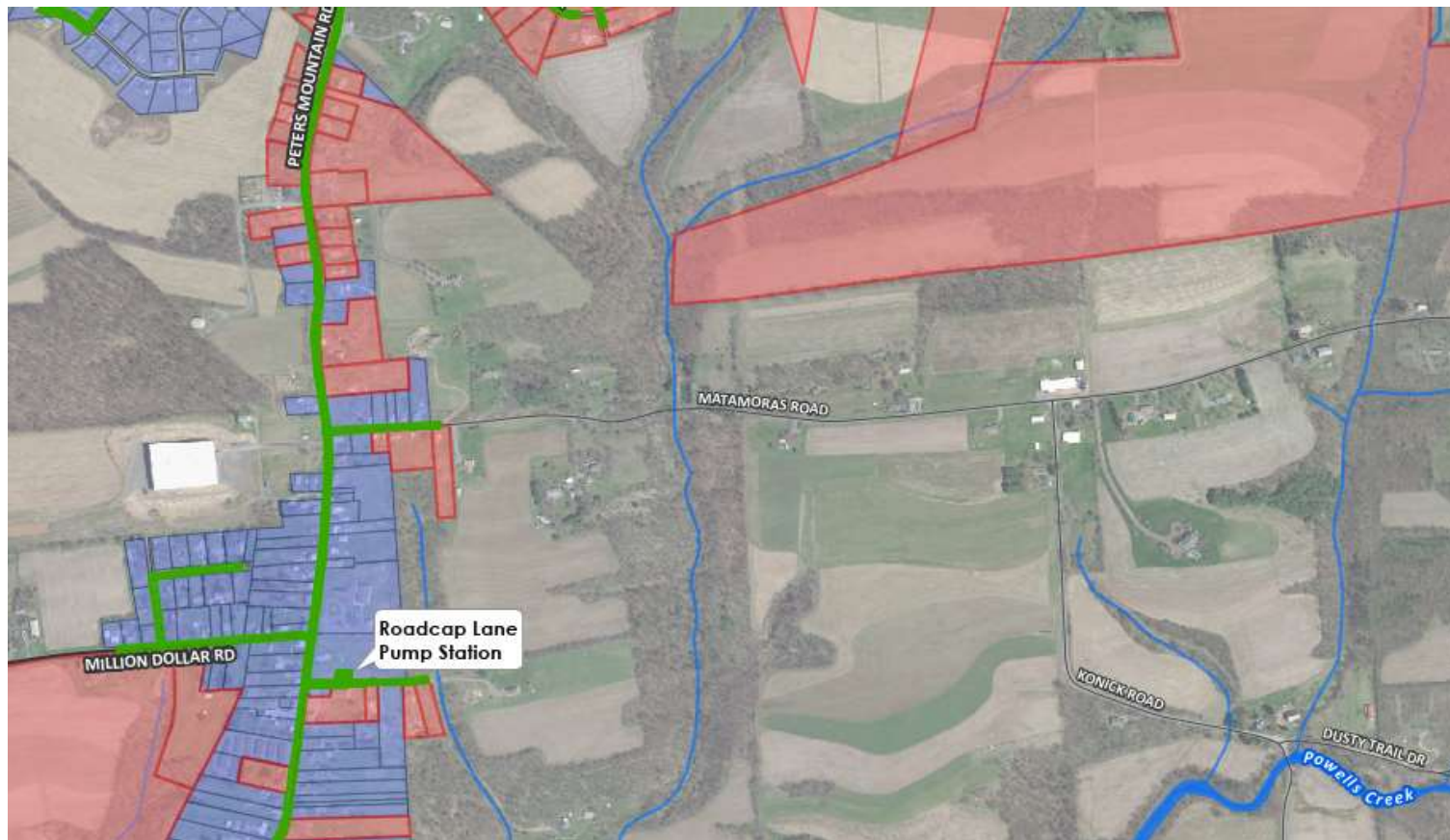
- > The proposed sewer extension will provide sanitary sewer service to the Needs Areas via:
 - 17,565 linear feet of Gravity Sanitary Sewer Main
 - 10,000 linear feet of low-pressure Sewer Main
 - 7,580 linear feet of Sanitary Sewer Force Main
- > Additionally, the project will include the construction of three (3) pump stations
 - Creek Road Pump Station
 - Road Cap Lane Pump Station
 - Lenker Estates Pump Station (abandonment of existing Lenker Estates Wastewater Treatment Plant)

Project Area and Overview



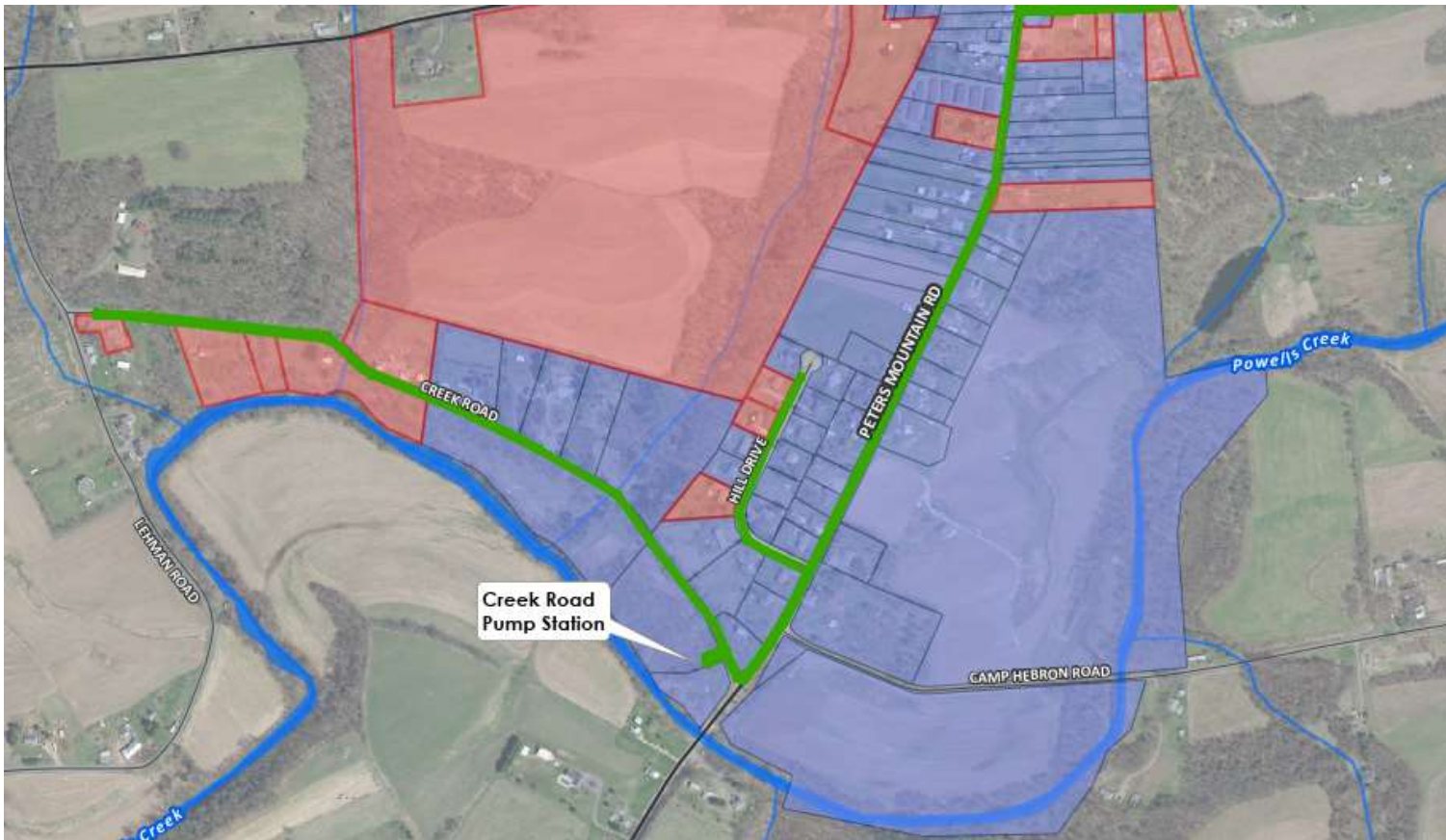
- Proposed Sewer Line & Pump Stations
- Parcels with Grinder Pumps
- Proposed Gravity Connection Parcels
- State Roads
- Local Roads
- Waterbody
- Municipal Boundary

Project Area and Overview



- Proposed Sewer Line & Pump Stations
- Parcels with Grinder Pumps
- Proposed Gravity Connection Parcels
- State Roads
- Local Roads
- Waterbody
- Municipal Boundary

Project Area and Overview



- Proposed Sewer Line & Pump Stations
- Parcels with Grinder Pumps
- Proposed Gravity Connection Parcels
- State Roads
- Local Roads
- Waterbody
- Municipal Boundary

New Sewer Facilities Included in the Project

Needs Area	Gravity Sewer	Low-Pressure Sewer
Peters Mountain Road	X	X
Powells Valley Road		X
Fellowship Drive		X
South River Road	X	
Parmer Drive		X
Lauren Lane		X
Galli Road		X
Lenker Estates	X	
Matamoras Road	X	
Million Dollar Road	X	
Clover Lane	X	
Williams St	X	
Roadcap Lane		X
Hill Drive	X	
Creek Road	X	X

New Sewer Facilities Included in the Project

- > Residential and commercial structures within 150-feet of sewer extensions will be provided with a lateral connection to roadway ROW
 - Connection to public sewer must be made within 180 days after notice to the Owner from the Authority
- > Grinder pumps will be provided and installed for specified properties which:
 - Connect to low pressure sewer main or pump station force mains
 - Do not have necessary grade for gravity laterals for 1st floor service
- > Lateral and grinder pump purchase/installation is intended to be paid for by HAWASA through the PENNVEST funds, however the Homeowner will be responsible to connect to the grinder pump and may have additional installation responsibilities (electrical)
- > Grinder Pump Agreements between property owners and Authority will be distributed for execution prior to construction

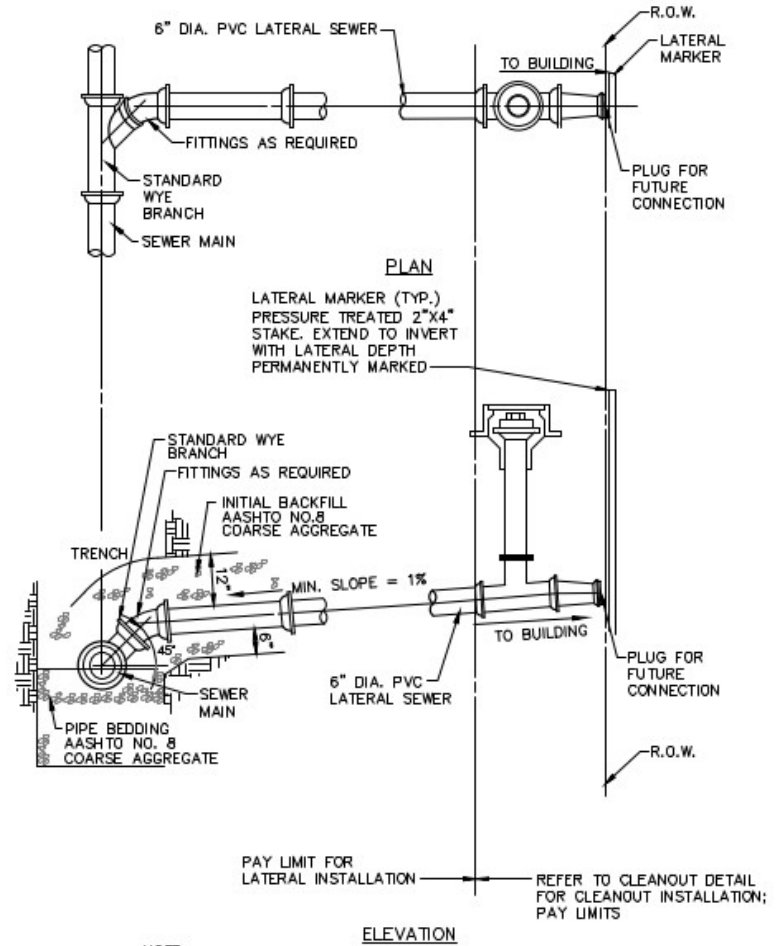
Authority Responsibilities

- > The following items are the responsibility of the **Authority**
 - Construction of gravity, low-pressure, and force main lines within the roadways or in easement areas
 - Construction of sewer lateral between the main and extending to the anticipated connection point at ROW (Gravity Only)
 - Purchase, supply, excavation, and installation of grinder pump system (where required), including pump, wet well/sump, and control panel
 - NOTE: Connection to the homeowner's system from the wet well/control panel, including any plumbing, electrical work, or excavation required, shall be the responsibility of the Homeowner
 - Maintenance of grinder pumps through life of PENNVEST loan (*excluding cases of misuse)
 - Operation and maintenance of sewer mains and pump stations

Homeowner Responsibilities

- > The following items are the responsibility of the **Homeowner**
 - Connection to sewer lateral at anticipated connection point at ROW (Gravity Only)
 - Connection of Homeowner's system to the grinder pump system and control panel, including any plumbing or electrical work necessary
 - Normal operation of grinder pump (if applicable) and the entire lateral from the Homeowner's system to the main
 - Enter into easement agreements with Authority, where needed
 - NOTE: Due to existing infrastructure, Homeowner's within Lenker Estates will NOT be responsible for the above items

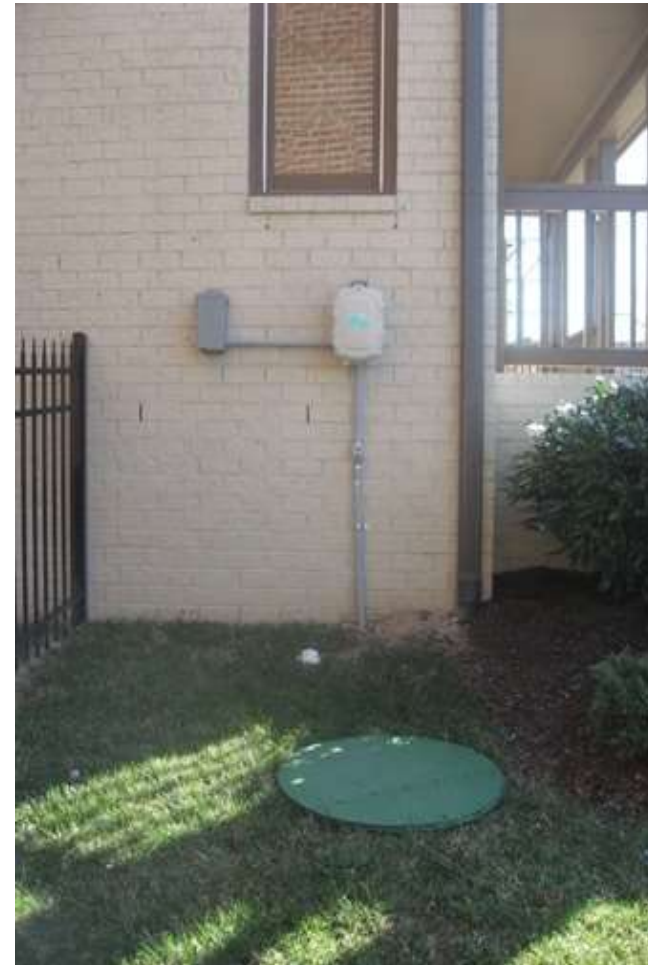
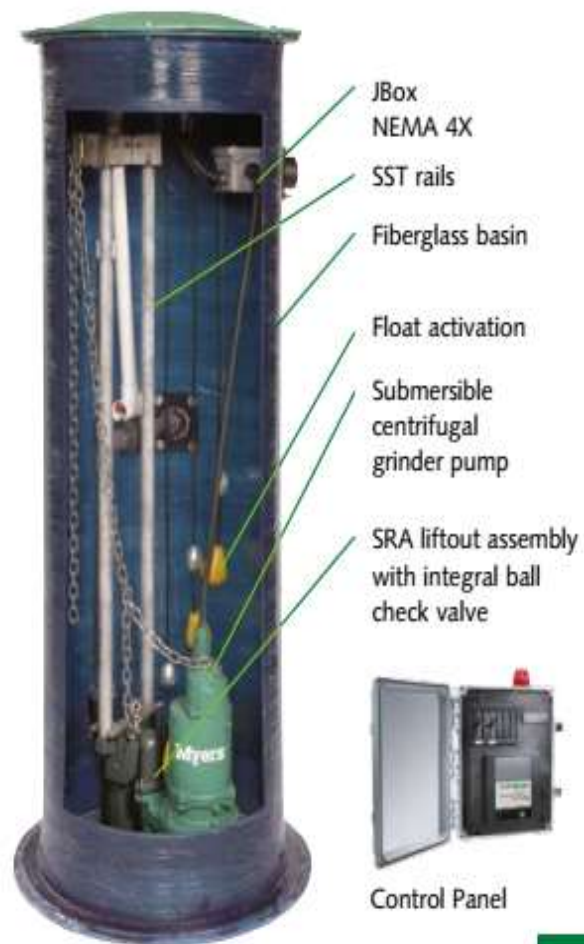
Gravity Sewer



NOTE:
METHOD OF LATERAL INSTALLATION (STANDARD OR SLOPED RISER) TO BE DETERMINED IN THE FIELD BASED ON DEPTH NEEDED FOR SERVICE CONNECTION

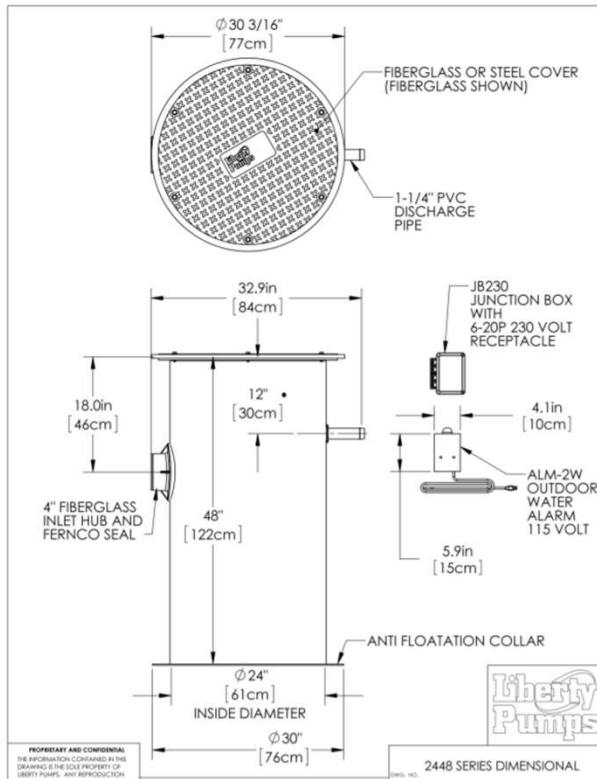
STANDARD LATERAL DETAIL
NOT TO SCALE

Grinder Pump Overview

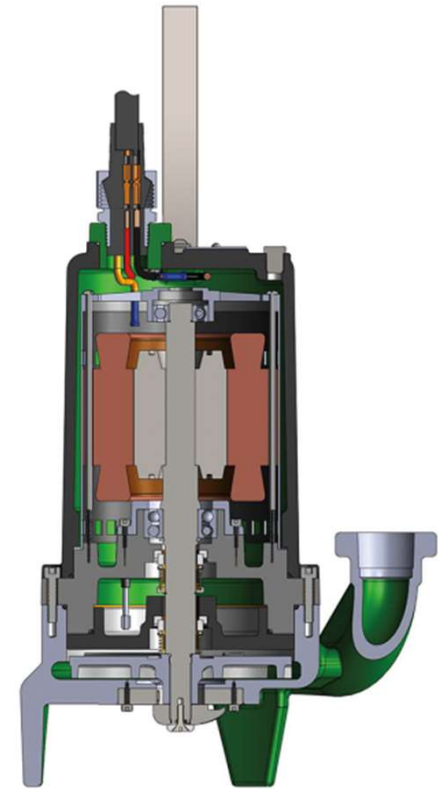


Grinder Pump Overview

2448LSG/LSGX - Series Dimensional Data

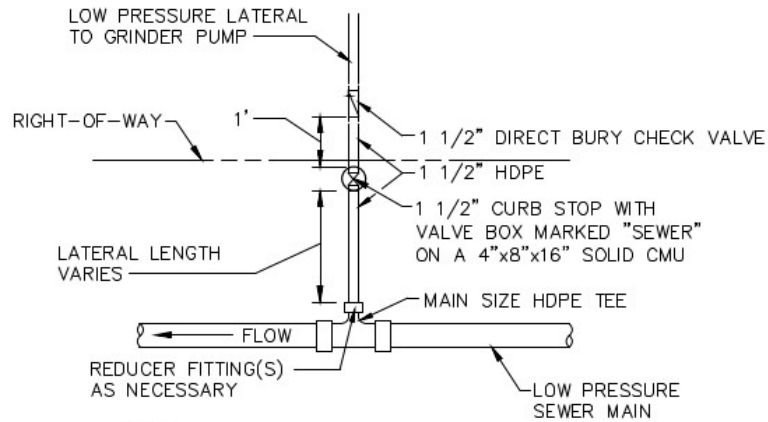


Liberty 2400-Series Grinder Pump



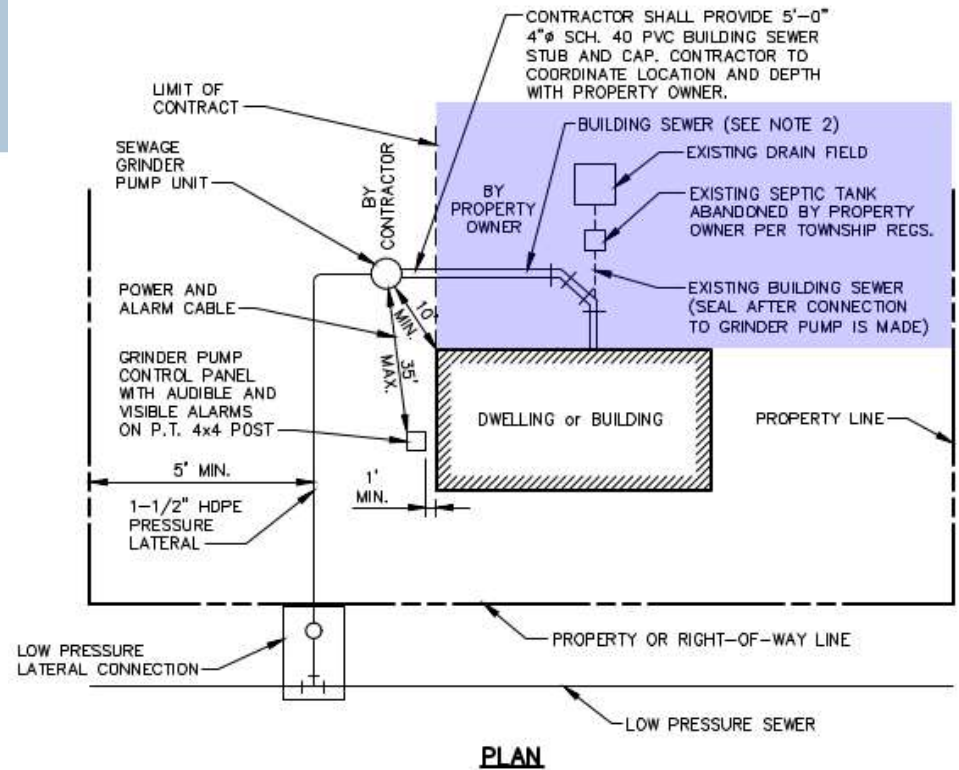
Myers V2 Grinder Pump

Low-Pressure Sewer



NOTE:
 1. FUTURE LOW PRESSURE LATERAL CONNECTIONS SHALL HAVE A 3' MIN. HDPE STUB WITH WATERTIGHT CAP UPSTREAM OF THE CHECK VALVE.

PLC LOW PRESSURE LATERAL CONNECTION
 NOT TO SCALE



PLAN

- NOTES:**
1. GRINDER PUMP MUST BE LOCATED A MINIMUM OF 10 FT. FROM STRUCTURE.
 2. BUILDING SEWER SHALL BE CONSTRUCTED IN ACCORDANCE WITH DEP GUIDELINES, TOWNSHIP RULES AND REGS., AND INTERNATIONAL PLUMBING CODES.
 3. CONTRACTOR TO COORDINATE LOCATION OF GRINDER PUMP UNIT AND CONTROL PANEL WITH PROPERTY OWNER. FOR MAINTENANCE PURPOSES, THE GRINDER PUMP CONTROL PANEL SHALL BE VISIBLE FROM PUBLIC ROAD.
 4. DISTANCE BETWEEN DWELLING AND PRESSURE LATERAL SHALL BE 5' MINIMUM, OR AS REQUIRED BY LOCAL CODES, ORDINANCES, RULES AND REGULATIONS OF GOVERNING SERVICE AUTHORITY.

GPI GRINDER PUMP INSTALLATION SCHEMATIC
 NOT TO SCALE

Grinder Pump FAQs

> Power Failure

- Your grinder pump cannot dispose of wastewater without electric power. If electric power is interrupted, keep water usage to a minimum. You may have a high-water alarm upon power restoration, but this will end once the grinder pump is able to pump out the tank.

> Periodic Maintenance

- It is recommended to remove the cover twice a year and hose down the inside of the basin to remove any grease and debris from the walls and level controls. Open the control panel door 3 or 4 times a year to check that there are no alarm lights on.

> Pump Failure Alarm

- The control Panel is provided with an alarm that will signal in the event of high water in the basin. This provides a warning to the user that service is required. Water usage must be limited until the grinder pump is serviced.

Lateral Location Selection Process

- > Lateral locations have been identified for each lot based on sewer facilities available (gravity or low-pressure), lot layout, and topography
- > In accordance with PENNVEST guidelines, the Project has been designed to provide 1st floor service; Residents with basement facilities may need to install an up-flow toilet or internal grinder to meet sewer elevations
- > During construction, HRG's Resident Project Representative (RPR) will work with homeowners to confirm the desired location of all laterals
- > To identify a lateral location:
 - HRG will provide information for each property identify the original assumed lateral location
 - Meet with your plumber to determine preferred point of connection of your lateral to the Authority main
 - Position a stake near the property/right-of-way line at the preferred lateral location
- > Additional details regarding the lateral location process will be provided at future meetings prior to construction

Current Authority Fees

Fee/Rate	Cost
Tapping Fee	\$4,504.44 or \$4,948.02 per EDU*
Inspection Fee	\$100
Service Rates: Residential	\$220/EDU per quarter
Service Rates: Commercial	\$245/EDU per quarter

- > Additional costs for private property connections not included above:
- Building sewer connections to capped laterals or to grinder pumps
 - Internal plumbing modifications (if required)
 - Electrical connection to grinder pump system
 - On-Lot Disposal System (OLDS) abandonment
 - Private restoration

*Equivalent Dwelling Unit (EDU), generally estimated at 221 gallons/day. Each individual residence is assumed to be 1 EDU. For connections to the system south of the Sheetz store, the tapping fee is currently \$4,948.02 per EDU.

Available Funding Sources

- > Residents may be eligible for private funding to pay for costs associated with connection to public sewer
- > PENNVEST Homeowner Septic Program
 - Eligible Costs: New building sewer construction and connection to capped laterals (including grinder pump installation, if required) and on-lot system abandonment
 - Max loan of \$25,000 at 1.75% for 20 years
 - No income restrictions
 - Contact for Questions:
 - Roberta Schwalm: (717) 780-3838 or rschwalm@phfa.org
 - Contact for Questions:
 - Brian Stine (American Bank): (610) 973-8117

Available Funding Sources (continued)

- > United States Department of Agriculture (USDA) Section 504 Home Repair Program
 - Eligible Costs: New building sewer construction and connection to capped laterals (including grinder pump installation, if required) and on-lot system abandonment
 - Max grant of \$10,000 for homeowners over 62 years of age
 - Max loan of \$40,000 at 1% for 20 years for homeowners under 62 years of age
 - Applicants must meet USDA income limits to be eligible for funding
- > Potential Dauphin County assistance – HRG & Authority investigating
- > Personal loans, mortgage refinancing, home equity loans, and other forms of financing may be available at banks and credit unions in Dauphin County

Project Schedule (Tentative)

Activity	Date
Project Advertisement for Construction Bids	August 2022
Receive Construction Bids	September 2022
Award Construction Contracts	October 2022
Funding Settlement	Late October 2022
Sewer Extension Construction*	December 2022 through Spring 2024
Restoration	Spring/Summer 2024
Homeowner Connection**	Summer/Fall 2024

- > The Contractor will supply a street-to-street breakdown of work to be completed (likely to be received in January/February 2023)
- > The anticipated project schedule shall be updated and communicated with the Homeowners as required and at all future public meetings
- > * December 2022-Early Spring 2023 will consist mainly of Contractor submittals and material acquisition with excavation work beginning in Spring
- > ** It is recommended the Homeowner coordinate with plumbers and contractors this winter to confirm lateral location, and again before the Homeowner connection period

Future Coordination

- > Future public meetings will be scheduled by the Authority to provide updates and opportunities for community questions and concerns
- > Homeowners shall be notified via mail of upcoming meetings dates and locations
- > All public meetings PowerPoints and reference documents shall be made available on the Authority's website for future use by residents

- > HAWASA (Authority) Website:
 - <https://www.hawasaonline.com/home.html>
- > PENNVEST Homeowner Septic Program:
 - https://www.phfa.org/forms/brochures/homeownership_programs/pennvest_brochure.pdf
- > United States Department of Agriculture (USDA) Section 504 Home Repair Program:
 - <https://www.rd.usda.gov/programs-services/single-family-housing-programs/single-family-housing-repair-loans-grants/pa>
- > Meeting PowerPoint
 - To be posted on Authority Website

Questions