

Owner's Manual

AMC

Sub 10

Snell

SPECIFICATIONS

Frequency Range (± 2 dB):	20 Hz to 80Hz
Driver Complement:	One 10" Cast frame woofer in a front-vented enclosure
Dimensions:	Enclosure: 53" H x 14 $\frac{3}{8}$ " W x 3 $\frac{13}{32}$ " D Drywall Opening 14 $\frac{1}{8}$ " x 14 $\frac{1}{8}$ "
Installation Environment:	New Construction
Weight	50 lbs
Parts Provided:	1- AMC Sub 10, NCB, 4 brackets with screws, 4 grommets, & Instruction Manual
Available Options:	Metal trim ring and grille finished in black or white Available in Spring 2004. Custom colors for an additional charge.

NOTE: Woofer may be installed after framing and dry wall procedure completion.

PRODUCT DESCRIPTION

The Snell AMC Sub 10 serves one simple function – it extends the bass response of an audio system down to the limits of audibility. In doing so, it gives the system the sonic foundation needed to deliver the full impact of movie sound tracks and the deepest fundamentals of music. Just as impressive as the bass extension the Sub 10 provides, is the fact that it can be mounted in any wall constructed of standard 2" x 4" lumber mounted on 16" centers.

The AMC Sub 10 is truly an exceptional value. A specially designed cast-frame 10" woofer permits long linear excursion resulting in excellent frequency response and dynamic range for bass performance that can be felt as well as heard. Many other subwoofers designed for custom installation use the space inside the wall for an enclosure. The size and shape of that space, and amount and type of insulation that may be in the wall, dramatically affects the sound the speaker produces. In contrast the AMC Sub 10 is a complete enclosed system. This ensures consistent, predictable performance.

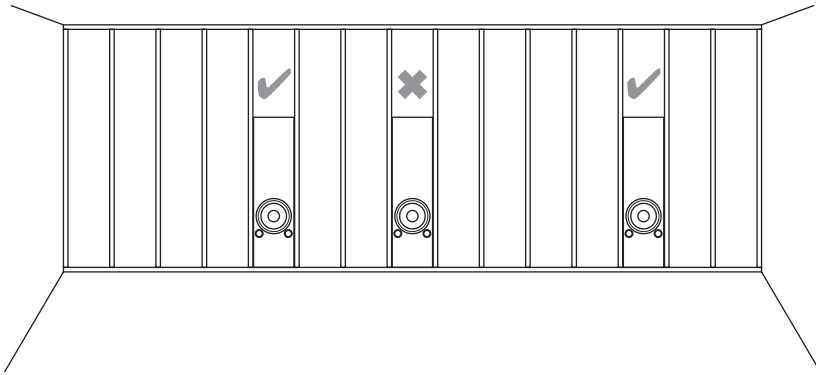
When the goal is to make the subwoofer disappear, leaving only the impact of the audio/video sound track, or the deepest musical fundamentals, the AMC Sub 10 is the ultimate choice.

Placement

Placement of your new AMC Sub10 is very important in achieving the smoothest possible bass response. The design of the AMC Sub 10 allows for many installation options. While the traditional subwoofer cabinet is vertical with the woofer toward the bottom, the AMC Sub12 can be placed on its side, vertically with the woofer toward the top, or even in the floor or ceiling.

One of main things to do when selecting an installation location is to avoid places that are symmetrical with the dimensions of the room. This helps avoid peaks and dips in the response of the subwoofer. (These response errors are the result of the bass sound waves interacting with the room – reinforcing some frequencies and canceling others.)

A useful placement guideline is the "rule of odd fractions". This means that you should try to place the subwoofer $1/3$ or $1/5$ of the way along the wall. Take for example, a wall that is about 20 feet long. It has 15 between-the-stud spaces. The Sub 10 should never be mounted in the eighth space – that would put it in the center of the wall. Rather it should be mounted in the third or fifth space – putting the subwoofer $1/5$ or $1/3$ of the wall along the wall.



In some situations, it may not be possible to install the subwoofer into a wall. In this case the ceiling, floor, or even a closet are options. Wherever the AMC Sub 10 is installed it must be securely mounted. If it is not securely mounted, its substantial bass output may produce rattles. In addition, be sure that the connectors are accessible for electrical hook-up.

Preconstruction Information

The AMC Sub10 is 53" high by 14 3/8" wide by 3 13/32" deep. Locate the best position acoustically as well physically due to room constraints.

Detach the New Construction Bracket (NCB) by unscrewing the 4 bolts that hold it to the cabinet. Detach the woofer by unscrewing the 4 bolts that hold it to the cabinet.

Attach the 4 brackets to the cabinet with supplied 1 1/4" wood screws. The AMC Sub10 should be solidly coupled to the studs on either side of the cabinet and to the drywall in front of it. To help achieve a solid coupling, apply a rope-type window caulking material between the sides of the cabinet where they meet the studs and to the front of the cabinet above the woofer. This will help prevent rattling while the Sub10 is operating.

With the brackets now attached to the cabinet, attach the whole assembly to the 2"x4" studs with the supplied 1 1/4" wood screws.

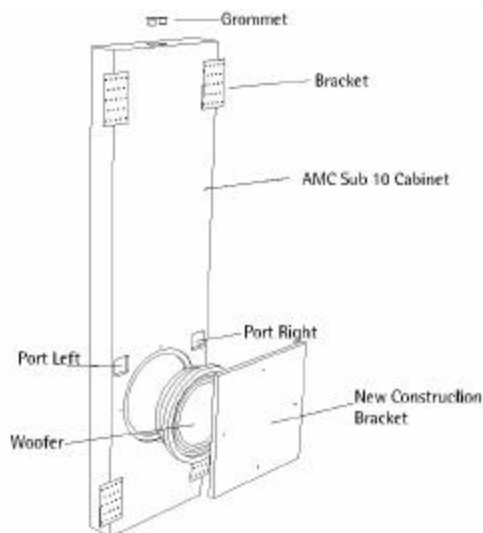
Feed the speaker cable from your amplifier to the Sub10 cabinet. Two holes are provided at the top of the cabinet for cable routing. Four grommets with two different size cables are provided to provide an air seal and hold the wires in place.

Next, connect the speaker cable to the woofer, being careful to observe polarity markings. Install the woofer and use the 8 machine screws supplied to fasten the woofer.

Install the NCB (with the hole facing the woofer) with the 4 supplied machine screws.

Using the NCB as guide for drywall cutting, cut a ~14" square (15" from bottom of cabinet). Remove the NCB.

A grille solution will be available in Spring 2004.



LISTENING LEVELS AND POWER HANDLING

The power recommendation for the system assumes you will operate the amplifier in a way that will not produce distortion. All speakers can be damaged by even a modest amplifier if it is producing distortion. If you hear a gritty noise or other signs of strain, turn down the volume. Prolonged or repeated operation of your speakers with a distorted signal can cause damage that is not covered by the warranty. It is especially important that you do not overdrive the bass capability of smaller speakers. Watch for noises, such as pops, caused by the music's bass line. Use of the loudness control and/or full bass boost at louder volumes is likely to overdrive the woofer. Use such controls sparingly.

HOW TO CARE FOR YOUR SPEAKERS

- ▶ Use a soft terry cloth towel slightly dampened with water, glass cleaner, or a diluted mild detergent. The towel should be just damp enough to wipe the surface clean without leaving a trail of moisture.
- ▶ Do not use abrasive cleaners or any cleaner containing chemicals harsher than those found in glass cleaner.

LIMITED WARRANTY

For five years from the date of purchase, Snell Acoustics will repair for the original owner any defect in materials or workmanship that occurs in normal use of the speaker system, without charge for parts and labor.

Your responsibilities are to use the product according to the instructions supplied, to provide safe and secure transportation to an authorized Snell Acoustics service representative, and to present proof of purchase from an authorized Snell dealer in the form of your sales slip when requesting service.

Excluded from this warranty is damage that results from abuse, misuse, accidents, shipping, repairs, or modifications by anyone other than an authorized Snell Acoustics service representative. This warranty is void if the serial number has been removed or defaced.

This warranty gives you specific legal rights, and you may also have other rights that vary from state to state.

If Service Seems Necessary

Contact the dealer from whom you purchased the speaker system. If that is not possible, call us at 978-538-6262, or write to:

Snell Acoustics
300 Jubilee Drive, PO Box 3717
Peabody, MA 01960

We will promptly advise you of what action to take. If it is necessary to return your speaker system to the factory, please ship it prepaid in the original factory packaging. Please note that Snell Acoustics will not be held liable for shipping damage due to improper packaging. After it has been repaired, we will return it freight prepaid in the U.S. or Canada.

Snell

300 Jubilee Drive, POB 3717
Peabody, MA 01960-3717

phone: 978-538-6262

fax: 978-538-6266

email: info@snellacoustics.com

www.snellacoustics.com

©2004 Snell Acoustics. All Rights Reserved.

Specifications are subject to change without notice.

Covered by patents issued and/or pending.

Part #542-1029