

# RELIEF VALVES



## SRV Series

### FEATURES

- Compact design
- Cracking pressure adjustable externally
- Lock wire feature secures a given pressure setting
- Each and every valve is tested at the factory

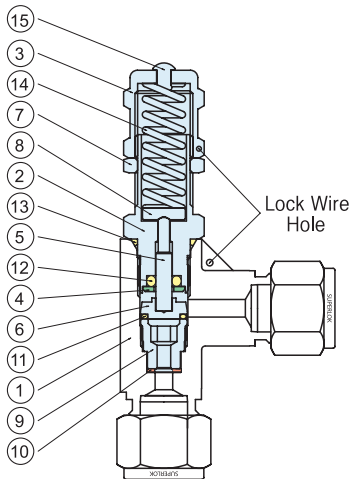
### SET PRESSURE

- Set pressure is the upstream pressure at which the first indication of flow occurs. Set pressure of each valve after initial relief is repeatable within  $\pm 5\%$  at room temperature.



## SRVL Series

### Low Pressure Relief Valve



### TECHNICAL DATA

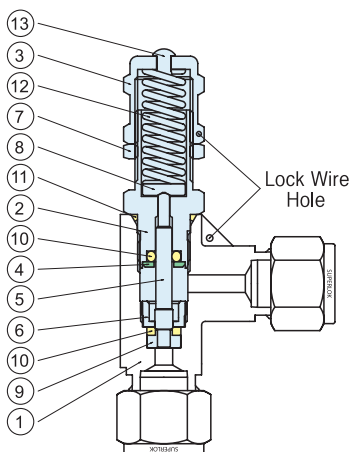
- Maximum working pressure : 300 psig (20.6 bar)
- Cracking pressure range : 10~250 psig (0.69~17.2 bar)
- Orifice size : 4.8mm
- One spring for the full set pressure range
- If required spring kit, mention part no : RVL-SG

### MATERIALS OF CONSTRUCTION

No.	Description	Material	No.	Description	Material
1	Body	SS 316	9	Seat Retainer	SS 316
2	Bonnet	SS 316	10	Seat	PTFE
3	Cracking Pressure Adjusting Nut	SS 316	11	O-Ring	Viton
4	Retainer	SS 316	12	O-Ring	Viton
5	Stem Shaft	SS 316	13	O-Ring	Viton
6	Stem	SS 316	14	Spring	SS 304
7	Lock Nut	SS 316	15	Cap	Polypropylene
8	Spring Support	SS 316			

## SRVH Series

### High Pressure Relief Valve



### TECHNICAL DATA

- Maximum working Pressure : 6000 psig (413 bar)
- Cracking Pressure Range : 225~6000 psig (15.5~414 bar)
- Orifice size: 4.8mm
- Multiple springs for a selection of set pressure ranges

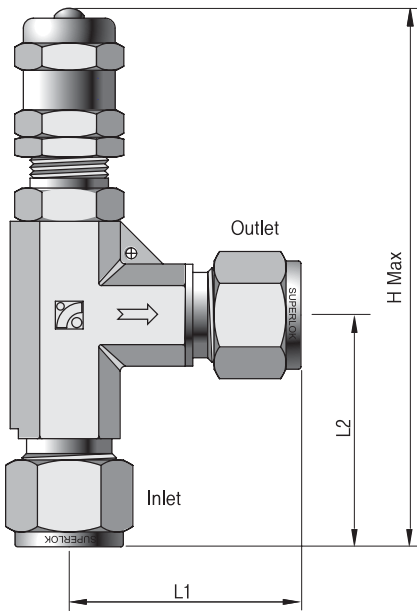
### SRVH Series Spring

Spring Designator	Spring Color	Cracking Pressure		
		psig	bar	kPa
Y	Yellow	225~750	15.5~51.5	1550~5150
P	Purple	750~1500	51.5~103	5150~10300
O	Orange	1500~2250	103~155	10300~15500
B	Brown	2250~3000	155~206	15500~20600
W	White	3000~4000	206~275	20600~27500
R	Red	4000~5000	275~344	27500~34400
G	Green	5000~6000	344~414	34400~41400

※ If required spring kit, mention part no : RVL - \* - ex)RVH-Y

### MATERIALS OF CONSTRUCTION

No.	Description	Material	No.	Description	Material
1	Body	SS 316	8	Spring Support	SS 316
2	Bonnet	SS 316	9	Stem Retainer	SS 316
3	Cracking Pressure Adjusting Nut	SS 316	10	O-Ring	Viton
4	Retainer	SS 316	11	O-Ring	Viton
5	Stem Shaft	SS 316	12	Spring	SS 304
6	Stem Guide	SS 316	13	Cap	Polypropylene
7	Lock Nut	SS 316			



**TABLE OF DIMENSIONS**

Part Number	Orifice (mm)	End Connection		Dimensions (mm)		
		Inlet	Outlet	L1	L2	H
SRVL or SRVH	S 4	1/4" SUPERLOK		38.7	37.3	104.6
	S 6M	6mm SUPERLOK		38.7	37.3	104.6
	S 8M	8mm SUPERLOK		38.7	37.3	104.6
	S 6	3/8" SUPERLOK		44.4	44.4	111.7
	S 8	1/2" SUPERLOK		46.7	46.7	114.0
	S 12M	12mm SUPERLOK		46.7	46.7	114.0
	MS 8N-8	1/2" Male NPT	1/2" SUPERLOK	46.7	35.7	103.0
	MS 8N-12M	1/2" Male NPT	12mm SUPERLOK	46.7	35.7	103.0
	MF 4N	1/4" Male NPT	1/4" Female NPT	30.0	32.2	99.5
	MF 6N	3/8" Male NPT	3/8" Female NPT	34.5	32.2	99.5
MF 8N	1/2" Male NPT	1/2" Female NPT	38.0	35.7	103.0	

Dimensions shown with SUPERLOK tube fitting nuts finger-tight.  
All dimension are for reference only, subject to change.

## ORDERING INFORMATION

1
2
3
4
5

### 1. Valve Series

- SRVL : Low Pressure
- SRVH : High Pressure

### 2. End Connection

- S : Tube Fitting
- MS : Male Pipe Thread & Tube Fitting
- MF : Male Pipe Thread & Female Pipe Thread

### 3. Inlet and Outlet Connection Size & Type

Fractional	CONNECTION SIZE	1/4"	3/8"	1/2"
	DESIGNATOR	4	6	8
Metric	CONNECTION SIZE	6mm	8mm	12mm
	DESIGNATOR	6M	8M	12M
THREAD		NPT		ISO TAPERED
DESIGNATOR		N		R

### 4. Spring Designator

- Y : 225 ~ 750 psig
- P : 750 ~ 1500 psig
- O : 1500 ~ 2250 psig
- B : 2250 ~ 3000 psig
- W : 3000 ~ 4000 psig
- R : 4000 ~ 5000 psig
- G : 5000 ~ 6000 psig

### 5. Body Material

- SS : ASTM A182 F316 (Stainless steel)