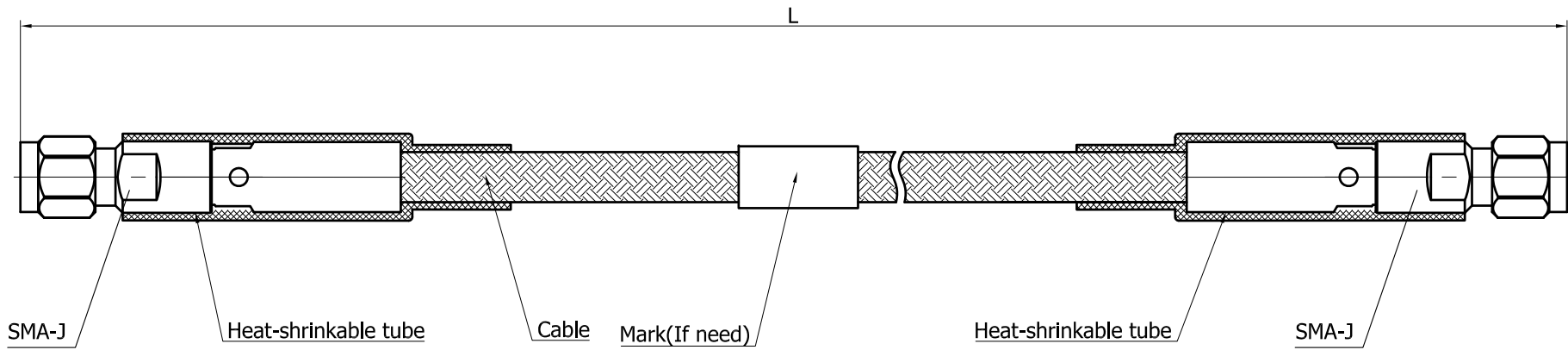


PRODUCT DATA SHEET



MATERIAL:

BODY: STAINLESS STEEL
 CONTACT: BERYLLIUM COPPER
 INSULATOR: PTFE

PERFORMANCE:

IMPEDANCE: 50 OHMS
 FREQUENCY: DC TO 18 GHz
 VSWR: ≤1.30

THIS DOCUMENT CONTAINS CONFIDENTIAL AND PROPRIETARY INFORMATION THAT CANNOT BE REPRODUCED OR DIVULGED, IN WHOLE OR IN PART, WITHOUT WRITTEN AUTHORIZATION FROM LANJIAN ELECTRONICS	MATERIAL :			38 Hengtong Road, Xinqu Dingmao Zhenjiang, 212009, Jiangsu, P. R. China	
	UNLESS OTHERWISE SPECIFIED: DIMENSIONS IN MM				
	TOLERANCES :				
	X.X	±0.20	ANGULAR : ±1°		DEBURR AND BREAK SHARP EDGES
	X.XX	±0.10	FILLETS R/C : ±0.10		
	X.XXX	±0.01	SURFACE FINISH : Ra 1.6		
		NAME	DATE		SIGNATURE
	DRAWN	X.C.W	07/18/2023		
	CHK'D	H.Z.Y	07/18/2023		
	APPV'D	H.Z.Y	07/18/2023		
MFG					
PROJECTION		SIZE	SCALE		
		A3	10:1		
DO NOT SCALE THE DRAWING				REV. A	
				PAGE 1 / 1	

LANJIAN ELECTRONICS
 38 Hengtong Road, Xinqu Dingmao
 Zhenjiang, 212009, Jiangsu, P. R. China

TITLE
Z3507SSPP-SMAJ/SMAJ-L

DWG No. _____

REV. **A**

PAGE 1 / 1