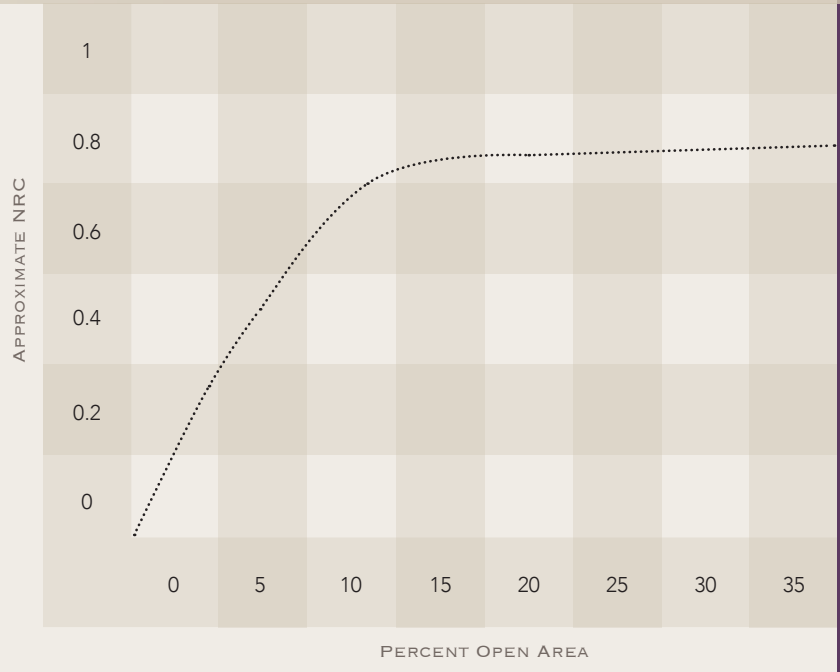


# Noise Reduction

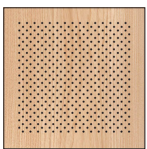
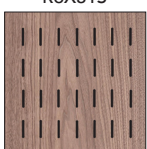
CEILING  
& WALLS

Achieve acoustic attenuation and a higher Noise Reduction Coefficient (NRC) by means of percent open area, combined with the type and amount of acoustically absorptive material on the back of the product. The NRC ratings shown reflect only the open area of the products and do not account for additional elements such as acoustical fleece or pads.



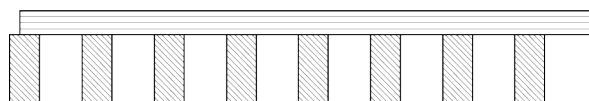
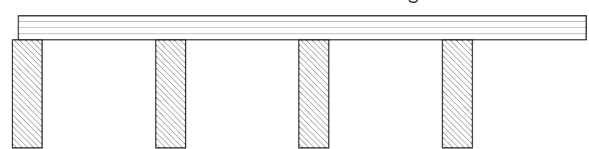
## PERFORATED WOOD PANELS

Each of our 12 standard perforation patterns can provide varying degrees of acoustic attenuation, dependent upon the size and spacing of the perforations. NRC will vary with custom patterns.

R6X16L ..... 12.6%	R6X16S ..... 12.2%	
R6X31L ..... 3.1%	R6X31S ..... 3.1%	
R8X16L ..... 19.6%	R8X16S ..... 19.6%	
R8X31L ..... 4.9%	R8X31S ..... 4.9%	
R10X40L ..... 4.5%	R10X40S ..... 4.4%	
SLT3X2 ..... 10.8%	SLT3X3 ..... 7.2%	

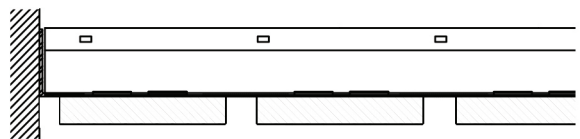
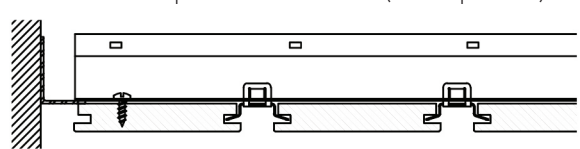
## WOOD GRILLES

Our wood grilles can provide acoustic attenuation, dependent upon the blade and reveal sizes. The examples below are standard products, but open area can easily be calculated for custom grilles.

	52%
5/8"x 1-3/8" blade with 7/8" reveal flat backer grille .....	
	70%
5/8"x 2-1/4" blade with 2-3/8" reveal flat backer grille .....	

## LINEAR WITH OPEN REVEAL

Open reveal linear ceilings can provide acoustic attenuation, dependent upon the size of the plank and reveal. Below are two examples of standard products, but custom possibilities are endless.

	20%
4.5" module - 3-3/4" plank with 3/4" reveal (twist clip shown) .....	
	12.5%
6" module - 5-1/4" plank with 3/4" reveal (grid clip shown) .....	

## ACOUSTILINE PANELS & PLANKS

Our Acoustiline products are specifically engineered for acoustic attenuation, and can provide the highest available NRC rating. Eight patterns are available as 2' x 2' panels, with six available as 8' tongue & groove planks in 6" or 8" widths. When combined with other acoustical components, Acoustiline products can achieve an NRC rating as high as .95.

