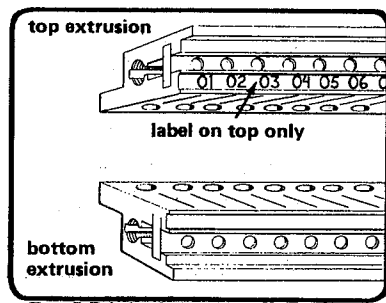
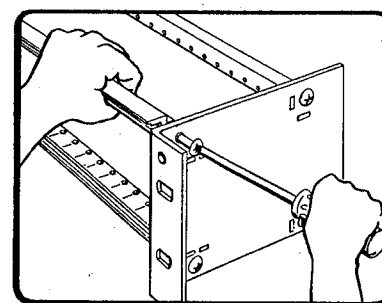


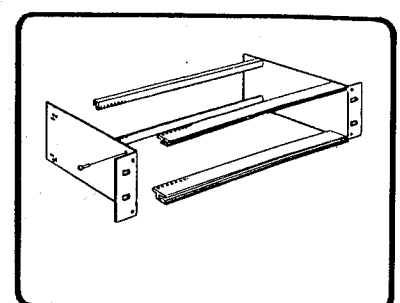
1 INSTALL NUT STRIPS



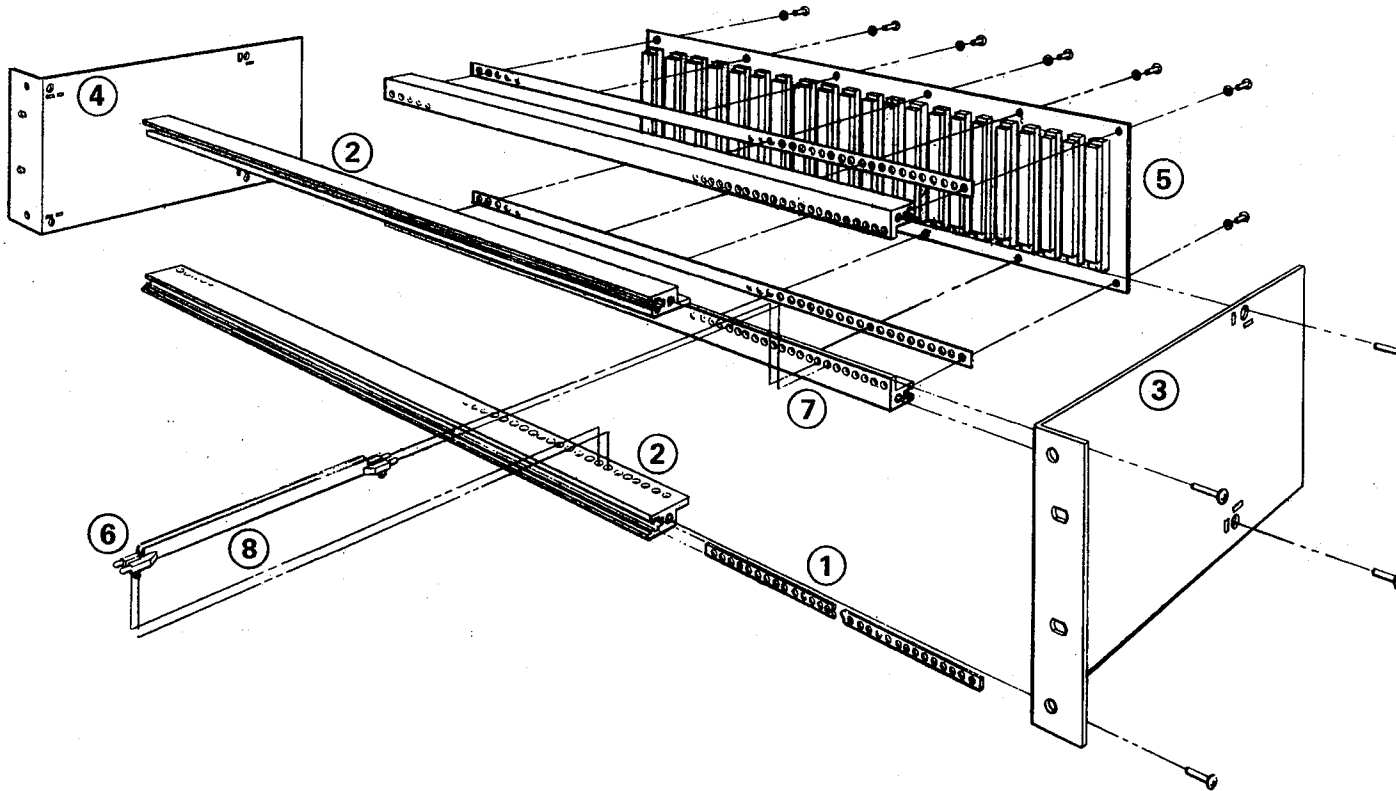
2 FRONT EXTRUSIONS



3 SCREW EXTRUSIONS TO ONE SIDE PANEL

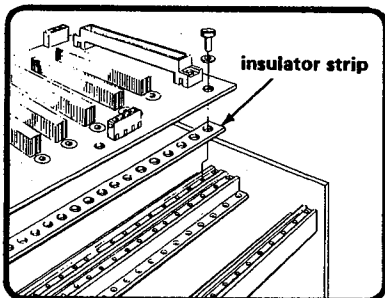


4 SCREW ON SECOND SIDE PANEL

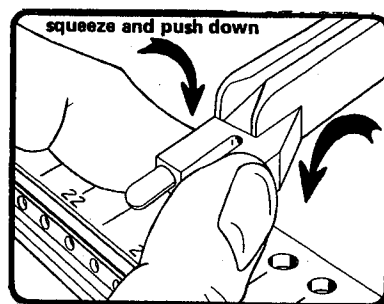


# 3U CARD CAGE

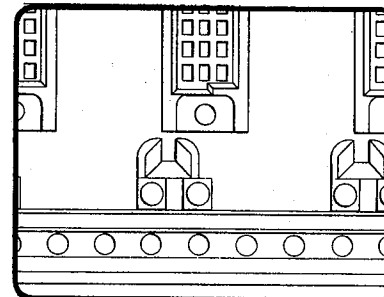
**VECTOR ELECTRONIC COMPANY, INC.**  
11115 Vanowen Street  
North Hollywood, CA 91605  
Phone: (818) 985-8208  
Fax: (818) 985-7708  
IN326 - 85-6



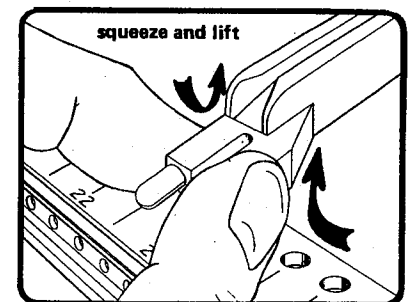
5 INSTALL BACKPLANE



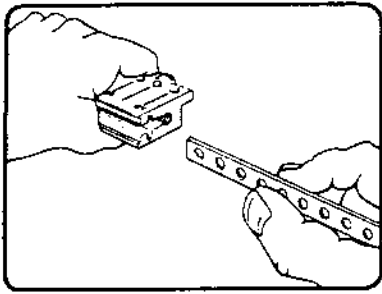
6 CARD GUIDE INSTALLATION



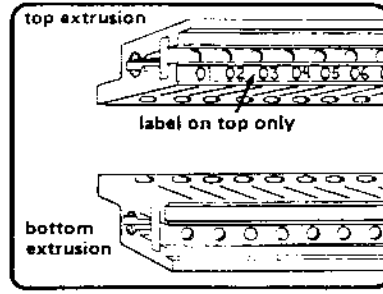
7 RELATION OF CARD GUIDE TO CONNECTORS



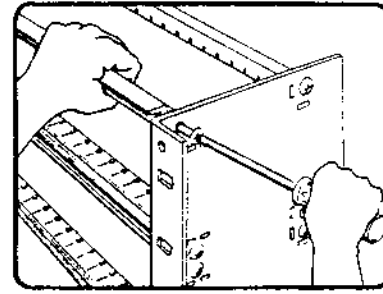
8 CARD GUIDE REMOVAL



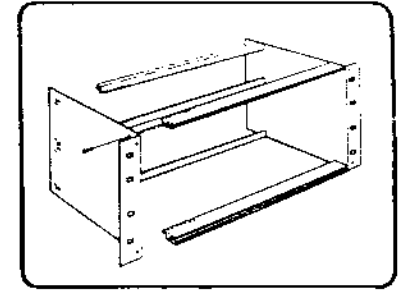
① INSTALL NUT STRIPS



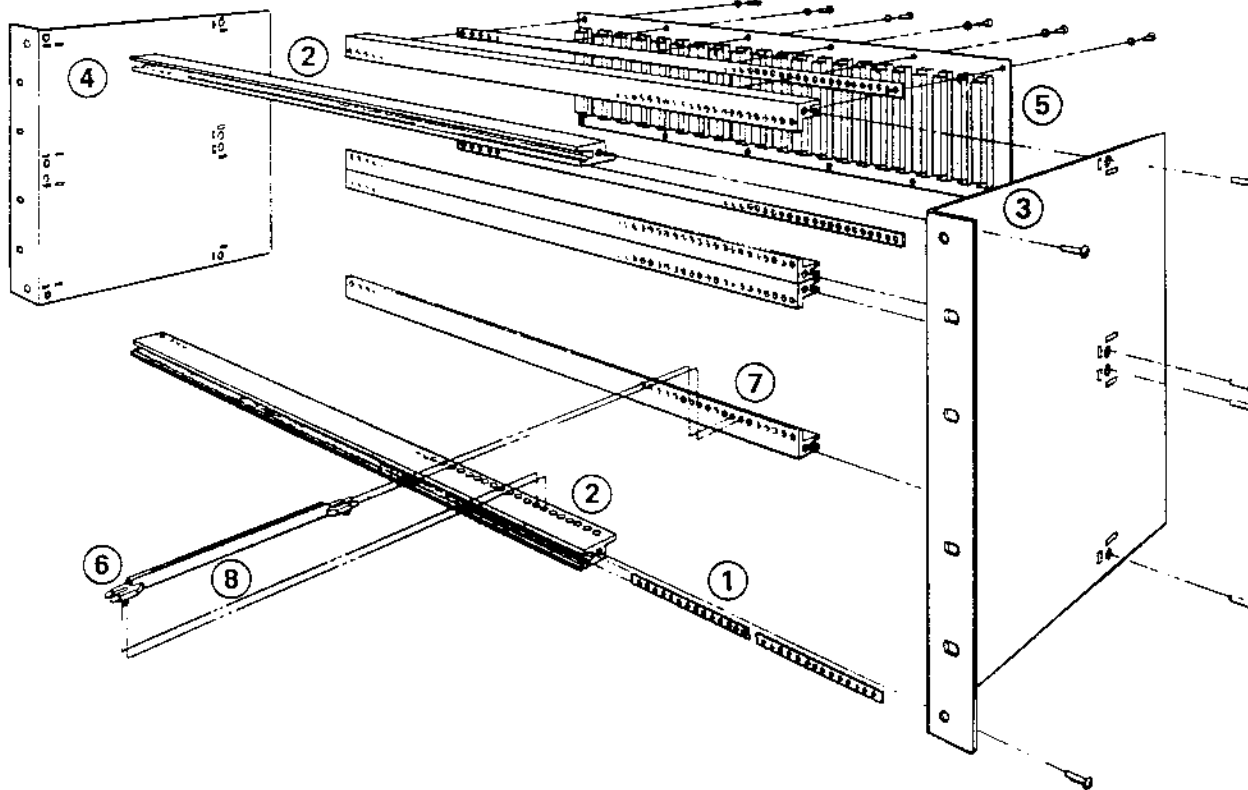
② FRONT EXTRUSIONS



③ SCREW EXTRUSIONS TO ONE SIDE PANEL

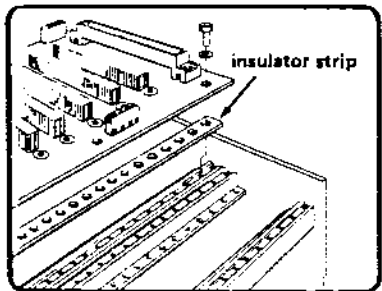


④ SCREW ON SECOND SIDE PANEL

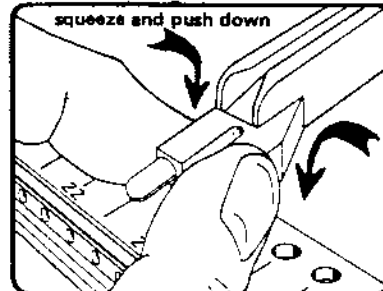


**BU CARD CAGE**

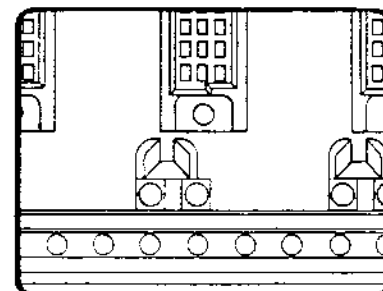
**VECTOR ELECTRONIC COMPANY, INC.**  
 11115 Vanowen Street  
 North Hollywood, CA 91605  
 Phone: (818) 985-8208  
 Fax: (818) 985-7708  
 IN326 - 85-6



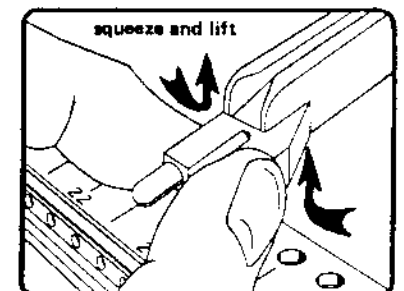
⑤ INSTALL BACKPLANE



⑥ CARD GUIDE INSTALLATION



⑦ RELATION OF CARD GUIDE TO CONNECTORS



⑧ CARD GUIDE REMOVAL