

90 & 45 Order Form



6227 147th Ave N. Suite B, Clw, FL 33760

P: (727)-532-4822

F : (727)532-4848

Page:

Of

Date:

Date Requested:

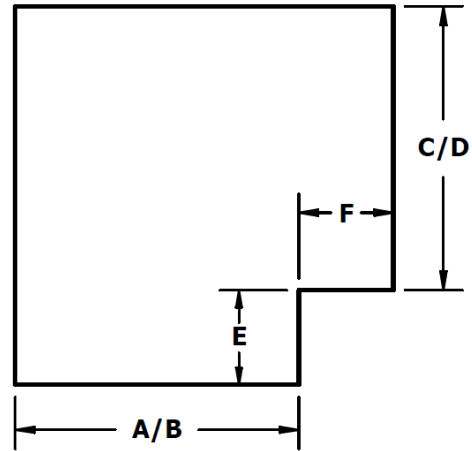
Company Name:

Requested By:

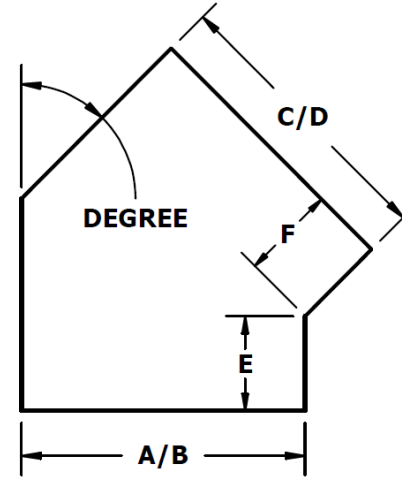
Job Number:

Job Name:

TYPE - 90° (0) / 88° (1/4") / 87° (1/2") / 85° (1")



TYPE - 60° / 45° / 22.5°



ENDS

Qty.	Type	Ga.	Mat'l	A	B	C	D	E	F	A/B	C/D	Radius	Vane	Pitch	AFL/NFL - TAG	Fab	Comp

Customer Sign: _____ Date: _____ HVAC Sign: _____ Date: _____