



Hi-Flex VNA Test Cables with Angled Connector & NMD Options 18-40GHz, 50GHz & 70GHz Solutions

Optimized Performance for Low VSWR
Superior Stability during Flex
Stainless Steel Connector Interfaces
Swept R/A Constructions Available
1.85mm/2.4mm/2.92mm & NMD
3.5mm & Type-N Solutions
Hi-Flex Light-Armored Construction
Ideal for Dynamic Testing Requirements



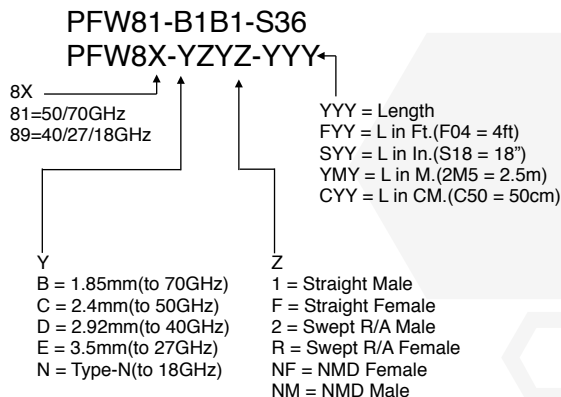
Characteristic	40GHz	50GHz	70GHz
VSWRmax	1.30:1	1.30:1	1.40:1
Cable IL/ft(Max)	0.672dB	1.662dB	2.00dB
Cable IL/M(Max)	2.204dB	5.450dB	6.559dB
Max Power Max Frq	48W	18W	14W
Phase Chg w. Flex	+/- 5Deg.	+/- 6Deg.	+/- 8Deg.
Amplitude Stability	+/- 0.10dB		
Minimum Bend	1.000"(25mm)		
Velocity of Prop.	78%		
Capacitance	25.9pF/ft		
Shielding Eff.	> 100dB		
Crush Resitance	317lbs.f/in(430N/cm)		
Temp Range	-65 to 125C		

ConductRF's Hi-Flex VNA Test Cable Series offers customers superior solutions for applications up to 70GHz. Excellent class leading phase & amplitude stability for Dynamic Hi-Frequency Testing, demonstrated by Internal flex testing results of better than +/- 5Deg & +/-0.05dB respectively over repeated 8 hours flexing cycles.

With a Light Armor internal stainless steel construction along with a soft FEP external cover, and a Nomex weaved covering, this combination provides excellent flexibility and ruggedness and is industry leading in its stability under flexure.

Available connector solutions include 1.85mm (V connectors), 2.4mm, 2.92mm (K connectors), 3.5mm and Type-N. Swept right angle versions are available offering the same high performance of their straight counterparts in both Male and Female Connector solutions. NMD Options are also available.

Images for illustration only, Data subject to change. Performance measured at 25C.



Tr1 S11 Refl SWR RefLvl: 1 U Res: 100 mU/Div

