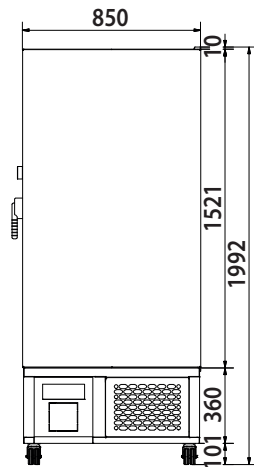
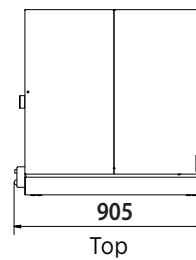


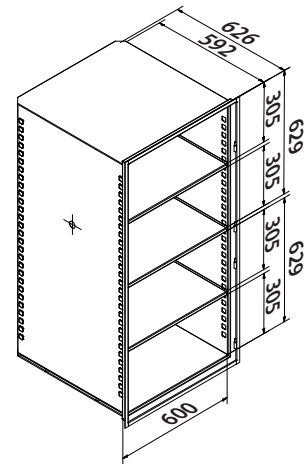
Side



Front



Top



Interior

FREEZER TYPE

VF475-86

Internal dimensions (length x depth x height) 600 x 626 x 1276 mm

External dimensions (length x depth x height) 905 x 890 x 1992 mm

Minimal transport dimensions (doors, elevators, corners) 850 x 865 x 1982 mm

Net weight 315 kg

Shipping details:

Transport weight 410 kg

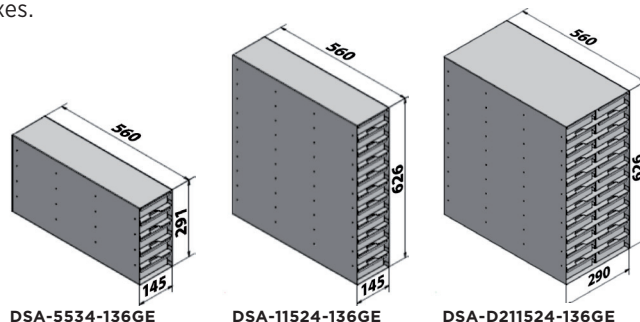
Transport volume 2,63 m³

Transport dimensions (packed) 1080 x 1080 x 2250 mm

ACCESSORIES INVENTORY SYSTEMS

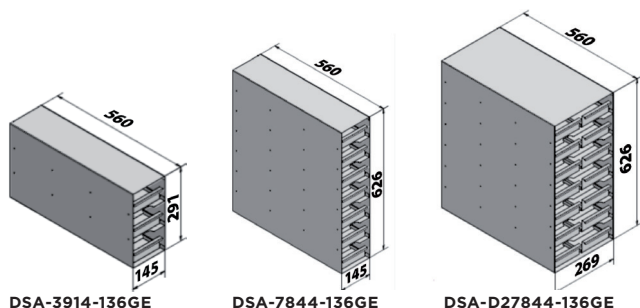
ALUMINIUM RACK (incl. drawers with grip) for: 50 mm/2" boxes.

article	comp. per freezer	total racks	boxes per rack	total boxes	max. box height
DSA-5534-136GE	4	16	5	20	320
DSA-11524-136GE	2	8	11	44	352
DSA-D211524-136GE	2	4	22	88	352



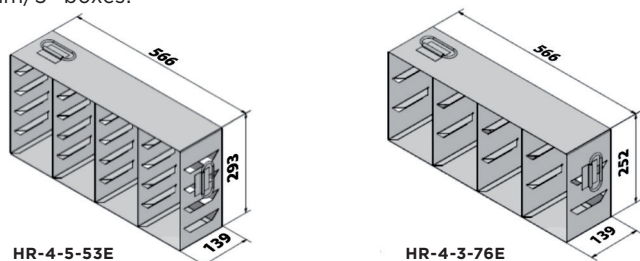
ALUMINIUM RACK (incl. drawers with grip) for: 75 mm/3" boxes.

article	comp. per freezer	total racks	boxes per rack	total boxes	max. box height
DSA-3914-136GE	4	16	3	12	192
DSA-7844-136GE	2	8	7	28	224
DSA-D27844-136GE	2	4	14	56	224



STAINLESS STEEL RACK (with grips) for: 50 mm/2" and 75 mm/3" boxes.

article	comp. per freezer	total racks	boxes per rack	total boxes	max. box height
HR-4-5-53E	4	16	20/2"	320/2"	53
HR-4-3-76E	4	16	12/3"	192/3"	76



*Specifications subject to change

OPTIONS

CO₂ BACK-UP SYSTEM

Back-up cooling system.

TEMPERATURE RECORDER

7-days/24 hours midi chart recorder, incl. chart paper, pen tip and battery.

NOVO

Text-messenger to pre-programmed mobile phones when controller gives an alarm.

COMMUNICATION BY IFREEZE

Three different ways to communicate with the freezer.

1. Through USB-port.
2. Via a local network (Ethernet).
3. Via Internet/webpage TCP/IP address.

SNIJDERS LABS

Office and Production

Laurent Janssensstraat 105
5048 AR Tilburg
The Netherlands

Showroom and Testfacility

Gebroeders Salastraat 40
5048 AL Tilburg
The Netherlands

T +31 13 750 15 55

F +31 13 463 86 35

info@snijderslabs.com

www.snijderslabs.com

