

# ECO - 6

**Belmont**  
www.belmontequip.com

*12 O'Clock Rear Treatment Console*

**St. Louis, MO:**  
1-888-833-3682

**Somerset, NJ:**  
1-800-223-1192



**ECO - SYS**  
*Cabinetry*

# ECO - 6 Features

**Options:** BDS-2564 Doctor's Handpiece Control, BDS-2571 Assistant's Vacuum Package, Additional HVE with Hose, and 36" Pass-Thru Upper Storage



Left or Right Access Consoles Available  
 Overall Dimensions: 38" (L) x 72" (H) x 40-3/8" (D)  
 (Depth Including Pull-Out Countertop)  
 Right Access Console Shown in Kensington Maple/Crystalline Braun



36" Upper Storage with 8 Adjustable Shelves



Easy Access Side Drawers:  
 (2)2-5/8 and (2)8-1/4



Lower Storage Area with Adjustable Shelf

Clock/Timer

Task Light

Duplex Electrical Outlet

Pull-Out Countertop Work Surface

Stainless Steel Pulls On All Doors and Drawers

3 mm PVC Edges On All Doors and Drawers

Base with Leveling Feet

## Available Color Combinations:



**Ships FAST!!! 10 Working Days or Less**



# *ECO - SYS*

*Cabinetry*

**Belmont**  
www.belmontequip.com

St. Louis, MO: 1-888-833-3682  
Somerset, NJ: 1-800-223-1192



**ECO-9**  
*Mobile Cart*

**ECO-1**  
*Doctor's Console*



**ECO-6**  
*Rear Treatment Console*



**ECO-3**  
*Assistant's Side Console*



## ECO - 6

### 12 O'Clock Rear Treatment Center

#### Features:

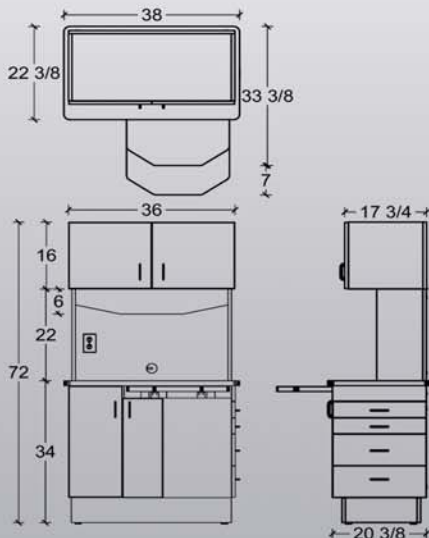
- See Back Page for Available Color Combinations  
*(Shown in Kensington Maple/Crystalline Braun)*
- Left and Right Modules Available
- 3mm PVC Edges On All Doors and Drawers
- Stainless Steel Pulls On All Doors and Drawers
- 36" Wide Upper Storage with 8 Adjustable Shelves
- Clock / Timer
- Task Light
- Duplex Electrical Outlet
- H.D. Laminate on Countertops
- Pull-Out Countertop Work Surface
- Lower Storage Area with 1 Adjustable Shelf
- (2) 2-5/8" and (2) 8-1/4" Easy Accessible Side Drawers

#### Options:

- BDS-2564 Doctor's 3 Handpiece Control
- BDS-2571 Assistant's Vacuum Package
- Additional HVE with Hose
- 36" Pass-Thru Upper Storage

**Ships FAST!!! 10 Working Days or Less**

#### ECO-6 Specifications:





## ECO - 3

*Assistant's Side Console*

### Features:

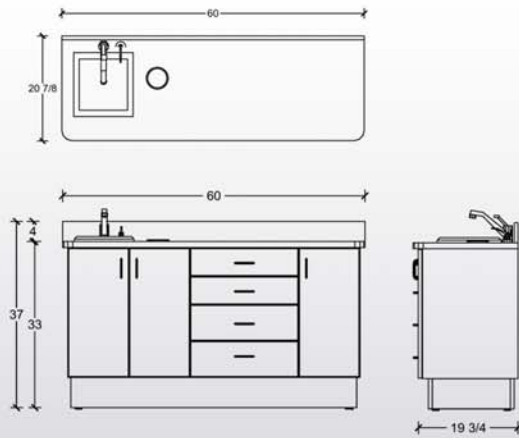
- See Back Page for Available Color Combinations (Shown in Kensington Maple/Crystalline Braun)
- H.D. Laminate on Countertops
- Left and Right Modules Available
- 3mm PVC Edges On All Doors and Drawers
- Stainless Steel Pulls On All Doors and Drawers
- Stainless Steel Sink with Chrome Faucet
- Chrome Soap Dispenser
- Waste Receptacle
- 24" Under Sink Storage Area with Waste Basket
- 12" Storage Area with Adjustable Shelf
- (2) 5" and (2) 7" 100lb. Unigrass System Drawers
- Base with Leveling Feet

### Options:

- Tapmaster™ Cabinet Door Faucet Activation

**Ships FAST!!! 10 Working Days or Less**

### ECO-3 Specifications:



## ECO - 9

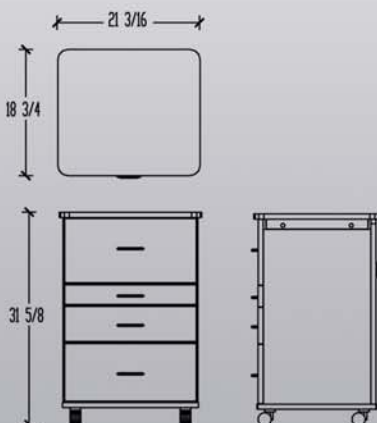
*Mobile Cart*

### Features:

- See Back Page for Available Color Combinations (Shown in Kensington Maple/Crystalline Braun)
- H.D. Laminate on Work Surface
- Left to Right Sliding Work Surface or Available Optional Front to Back Sliding Top
- 9" Deep Under Work Surface Storage Bin with Electrical Access Grommet
- 3mm PVC Edges On All Drawers and Deck
- Stainless Steel Pulls On All Drawers
- Extra Stainless Steel Pull to Assist with Mobility
- (4) Swivel Casters for Mobility and Stability

**Ships FAST!!! 10 Working Days or Less**

### ECO-9 Specifications:



## ECO - 1

*Doctor's Console*

### Features:

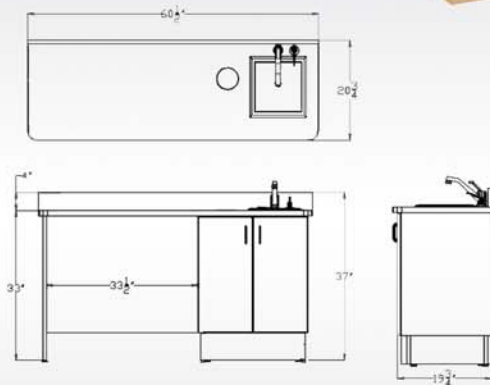
- See Below for Available Color Combinations  
(Shown in Kensington Maple/Crystalline Braun)
- H.D. Laminate on Countertops
- Left and Right Modules Available
- 3mm PVC Edges On Doors
- Stainless Steel Pulls On Doors
- Stainless Steel Sink with Chrome Faucet
- Chrome Soap Dispenser
- Waste Receptacle
- 24" Under Sink Storage Area with Waste Basket
- Base with Leveling Feet

### Options:

- Tapmaster™ Cabinet Door Faucet Activation
- BDS-2555 Side Delivery Unit

**Ships FAST!!! 10 Working Days or Less**

### ECO-1 Specifications:



## Available Color Combinations:

