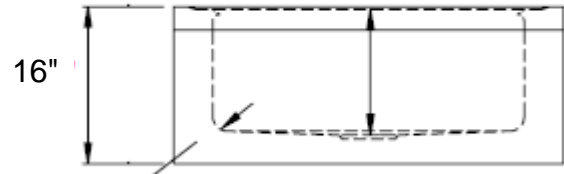
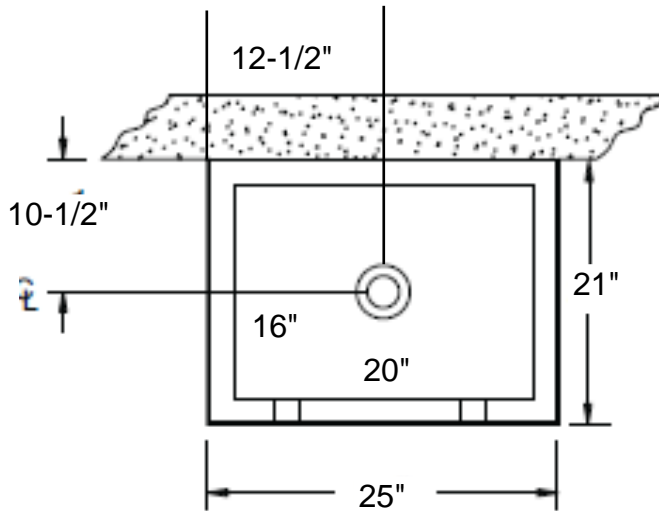


WICKETTS STAINLESS SPECIFICATION

Commercial Mop Sinks



Model Number			
WMS-2521-16-DF	21	25	12
Custom			

Engineering Specification:

16 gauge, type 304 stainless mop sink. Top 2-1/2" wide top channel rims. Exposed surfaces polished to a #4 satin finish. With. 2" Or 3" drain.

Wicketts Stainless, LLC
 2616 San Miguel Dr. Bldg.# 376
 Newport Beach, CA 92660
 Tel. 951-858-2548
 Fax. 951-638-9059
 sales@wickettsstainless.com
 www.wickettsstainless.com



Approved for Manufacturing

Company: _____
 Signature: _____
 Print: _____ Date: / /