

GA1 Omni-Directional ACOUSTICAL GLASSWALL

WARRANTY

Hufcor Partitions are guaranteed against defects in material and workmanship for a period of one year. The glass is not included in this warranty, nor is abuse.

The Hufcor Partitions have been custom made to the architect's and owner's specifications. Each partition has been carefully fabricated and installed to provide many years of trouble-free service.

The key to the life of the product is proper operation and care. The correct operation and recommended care are outlined in this Owners Manual for your guidance.

If any malfunction of these partitions occurs, please phone your local Hufcor Distributor for service. This must be done immediately since Hufcor cannot be responsible for damages which result from delays or failure to advise Hufcor or Hufcor's local Distributor.

This partition was sold and installed by:

When calling either your Hufcor Distributor or Hufcor, please have the following information:

Job Name:

Hufcor Order #:

Installation Date:

Description of the Problem:

Person to Contact:

Maintenance and Operation Guide

GA 1 Single Panel Acoustical Glasswall

Operation

Partitions with Hinged Closure Panel

1. Gently slide out 1st panel from stack into main track (Fig.1)
2. Gently push panel to far end opposite to stack (Fig. 2)
3. If panels have retractable seals, place operating handle into trail end of panel and turn half revolution to lock bottom mechanical seals (Fig.3)
4. Repeat steps 1 to 3 with remaining panels
5. When all panels are in line across room and seals are locked, swing hinged closure panel to closed position in line with all panels (Fig. 4)
6. To stack folding partition, reverse above steps from 5 to 1

Partitions with Lever Closure Panel

1. Gently slide out 1st panel from stack bundle into main track (Fig.1)
2. Gently push panel to far end opposite to stack (Fig. 2)
3. Place operating handle into trail end of panel and turn half revolution to lock bottom mechanical seals (Fig.3)
4. Repeat steps 1 to 3 with remaining panels
5. When all panels are in line across room and seals are locked, gently slide out lever closure panel from stack to main track and push against last panel
6. Place operating handle into trail end of panel and turn half revolution to lock bottom mechanical seals
7. Place operating handle into opening on face of panel and turn to expand nose against wall to seal folding partition (Fig. 4)
8. To stack folding partition, reverse above steps from 7 to 1

Maintenance

After installation, this acoustical glasswall requires very little maintenance.

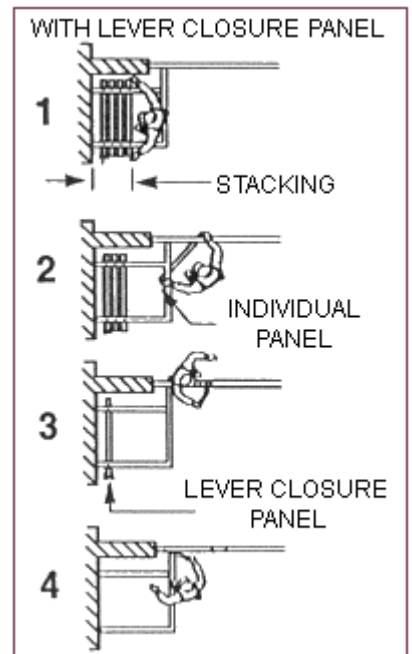
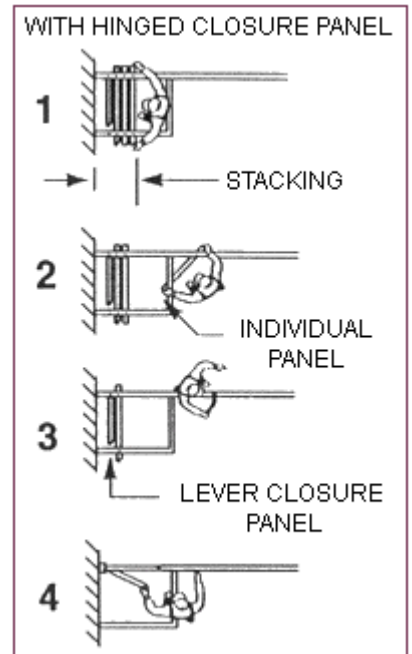
1. Should some roughness develop in the supporting track when moving the panels, wipe off the inside of the bottom lips of the track on both levels with a rag. When clean, apply a small quantity of light grease to these lips at intervals across the full opening and stacking area.

Operate the panels across the opening to evenly distribute the grease along the track.

2. If it is necessary to clean aluminum mouldings, use warm water and soap, with a soft scrubbing brush. See "a":
 - a. Tempered glass shall always be cleaned with a foaming glass cleaner and wiped with a dry cleaning rag. Liquid products should be avoided because they have a tendency to splash and leak on glass. These products may also be harmful to metallic surfaces surrounding the glass panel.

Avoid chemical cleaners or strong detergents

3. Should replacement parts be required, or for other information, contact your nearest Hufcor distributor.



P.O. Box 591 . 2101 Kennedy Rd., Janesville, WI USA 53547
Phone : 800-356-6968 Fax: 608-758-8253
info@hufcor.com www.hufcor.com