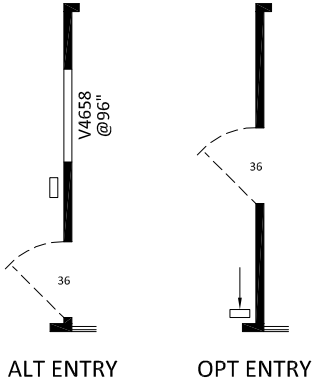


ROOM DIMENSIONS MAY CHANGE PER CONSTRUCTION PRINTS.

SHIP AS 16 WIDE

ALL WINDOW HEIGHTS @82" UNLESS NOTED OTHERWISE

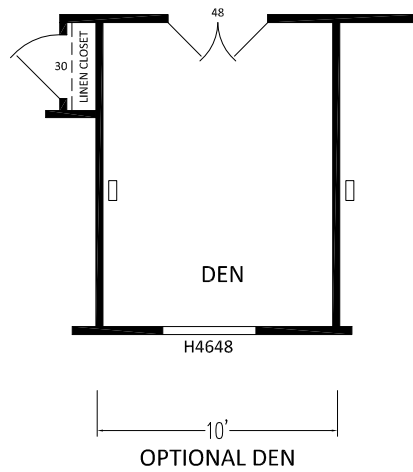
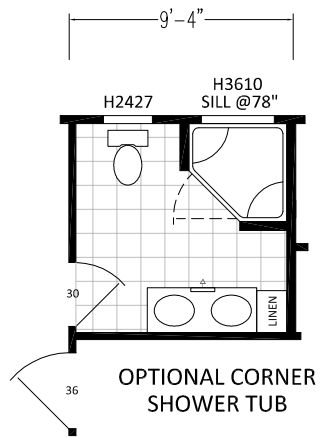


K530H 3BD - 2BA 5528 (1362 SQ. FT. LIVING)
(1434 SQ. FT. TOTAL)

SCALE: 1/8" = 1'-0"

CUSTOMER: ----

	DIVISION 31, P.O. BOX 670 SAN JACINTO, CA 92581 (951) 654-9321	REVISIONS	REVISION DATE:	DRAW DATE: 5-5-17	DRAWING TITLE: SALES FLOOR PLAN 5528-3BD-2BA	MODEL NO.	MODEL REV. D	SHEET NO. AL-101
			REVISION BY:	DRAWN BY: DCS		K530H	DAPIA REV. 1	REF NO. ---



SCALE: 1/8" = 1'-0"

CUSTOMER: ----

SKYLINE

DIVISION 31, P.O. BOX 670
SAN JACINTO, CA 92581
(951) 654-9321

REVISIONS

REVISION
DATE:

DRAW
DATE: 5-5-17

DRAWING TITLE:

SALES FLOOR PLAN OPTIONS
5528-3BD-2BA

MODEL NO.

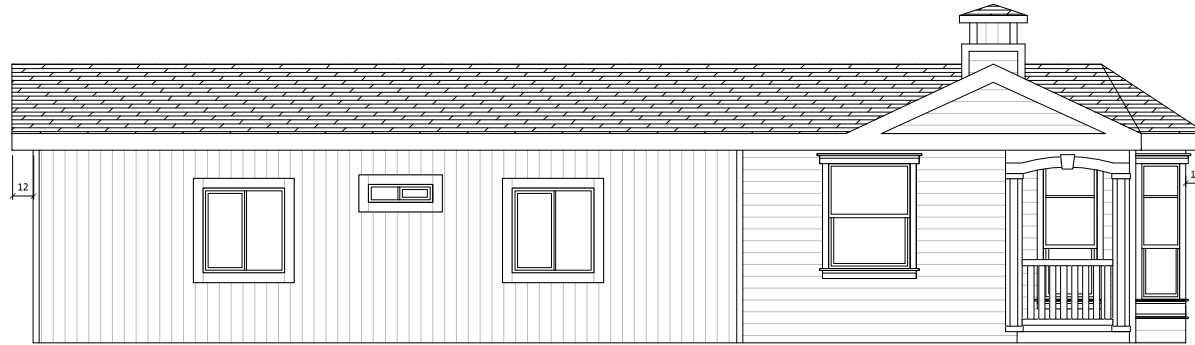
K530H

MODEL
REV. D

DAPIA
REV. 1

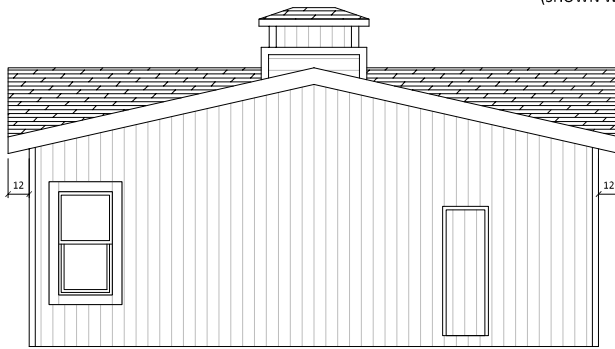
SHEET NO.
AL-102

REF NO.



LEFT

(SHOWN WITH OPTIONAL CUPOLA)



REAR

(SHOWN WITH OPTIONAL CUPOLA)



FRONT

(SHOWN WITH OPTIONAL CUPOLA)



RIGHT

(SHOWN WITH OPTIONAL CUPOLA)

CUSTOMER: ----



DIVISION 31, P.O. BOX 670
SAN JACINTO, CA 92581
(951) 654-9321

REVISIONS

REVISION DATE:

DRAW DATE: 5-5-17

DRAWING TITLE:

EXTERIOR ELEVATIONS

MODEL NO.

K530H

MODEL REV. D

SHEET NO. AE-101

REVISION BY:

DRAWN BY: DCS

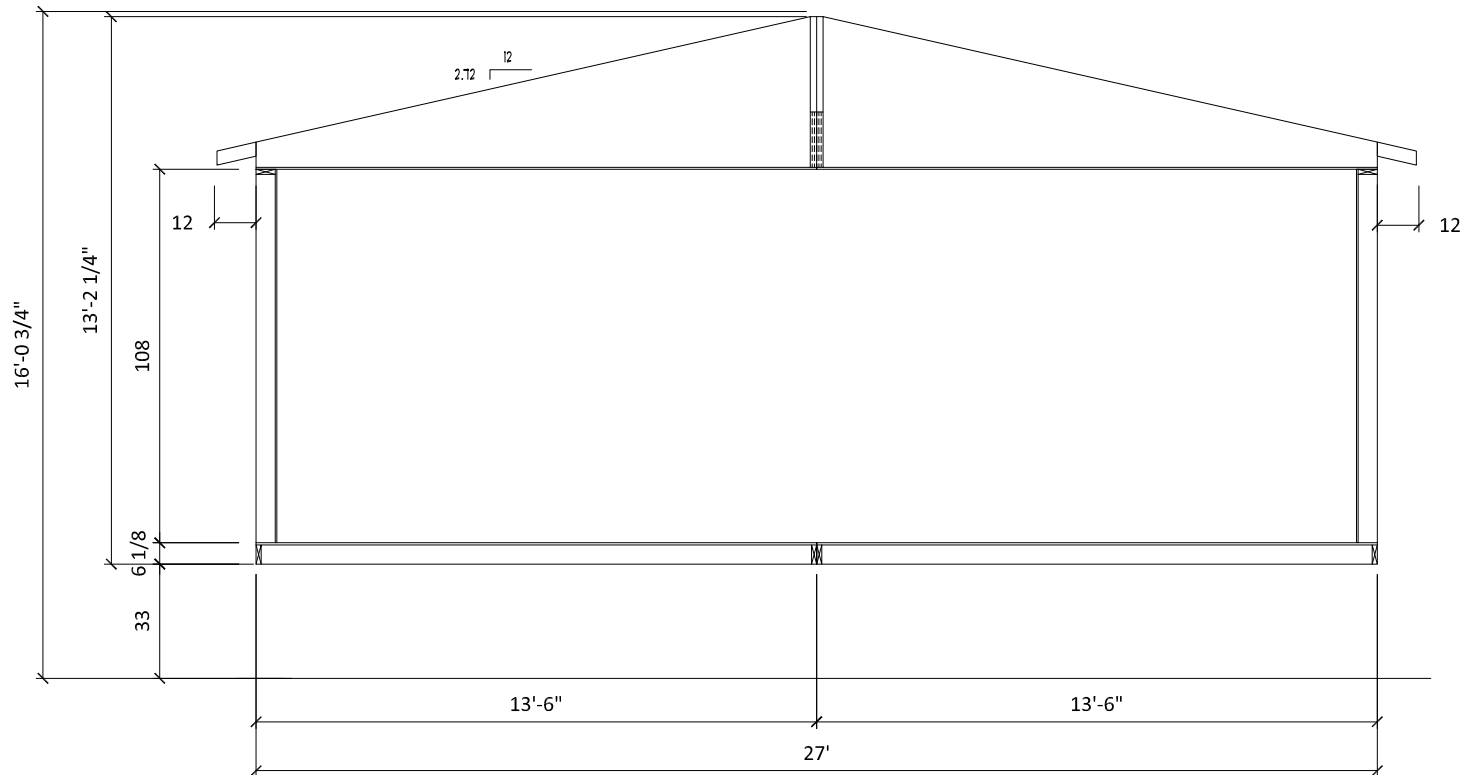
5528-3BD-2BA

DAPIA REV. 1

REF NO. ---

F-49-V TRUSS

F-49-V TRUSS



ALL DIMENSIONS ARE APPROXIMATE AND MAY NOT REFLECT THE TRUE WIDTH AND HEIGHT OF EACH UNIT. DIMENSIONS DO NOT INCLUDE SIDING, TRIM, EAVES, ROOF DRIP RAIL, HOSE BIBBS, FLUES, ETC.

UNIT DIMENSIONS ARE NOT TO BE USED AS SHIPPING DIMENSIONS.

CUSTOMER: ----



DIVISION 31, P.O. BOX 670
SAN JACINTO, CA 92581
(951) 654-9321

REVISIONS	REVISION DATE:	DRAW DATE:	DRAWING TITLE: <i>CROSS SECTION</i> <i>5528-3BD-2BA</i>	MODEL NO. K530H	MODEL REV. D	SHEET NO. AS-101
	REVISION BY:	DRAWN BY:			DAPIA REV. 1	REF NO. ---