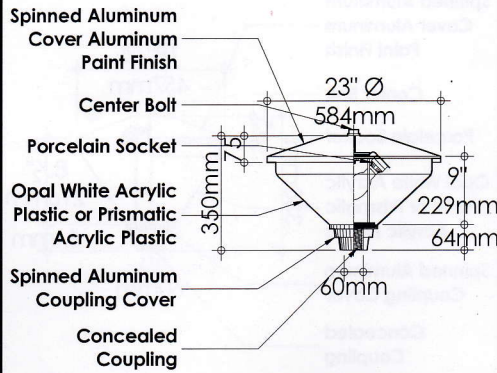


AMCO AMCRYLIC LAMP

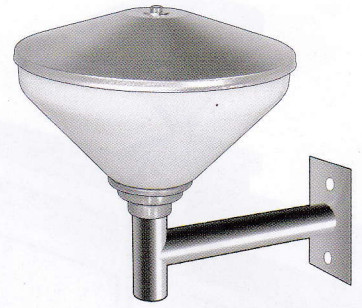
MAX. 250W



MODEL NO.
C - 45B



DIMENSIONS & MATERIALS



MODEL NO.
C - 45W

POST: Zinc Electro-galvanized steel lantern post and pedestal base coated with red oxide and enamel paint finish. Complete with anchor bolts, nuts and washers.

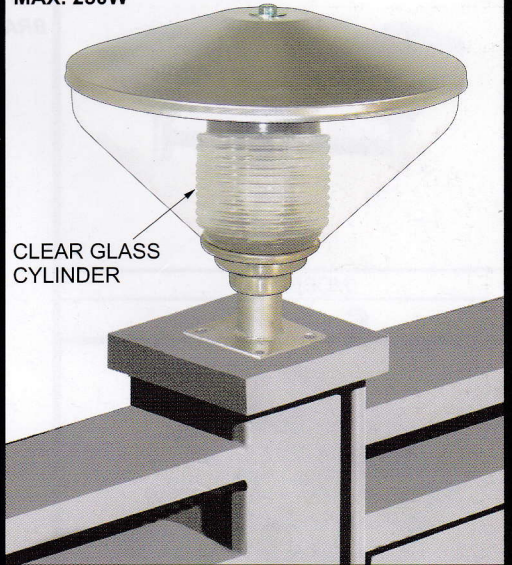
BRACKET: Zinc Electro-galvanized steel multi-arm support brackets are all finished in bright aluminum paint.



MODEL NO.
C - 45P2

BASE TYPE w/ CLEAR GLASS CYLINDER

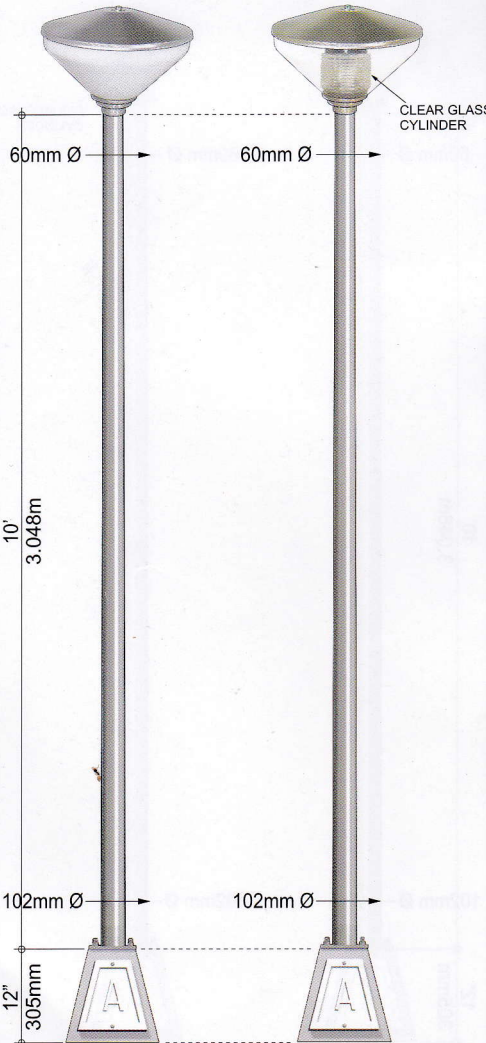
MAX. 250W



MODEL NO.
C - 45B - CG



MODEL NO.
C - 45 - 3



COUPLING TYPE w/ CLEAR GLASS CYLINDER

MODEL NO.
C - 45 - C - CG



MODEL NO.
C - 45 - 4

MODEL NO.
C - 45S - TP-10

MODEL NO.
C - 45 - PI - CG