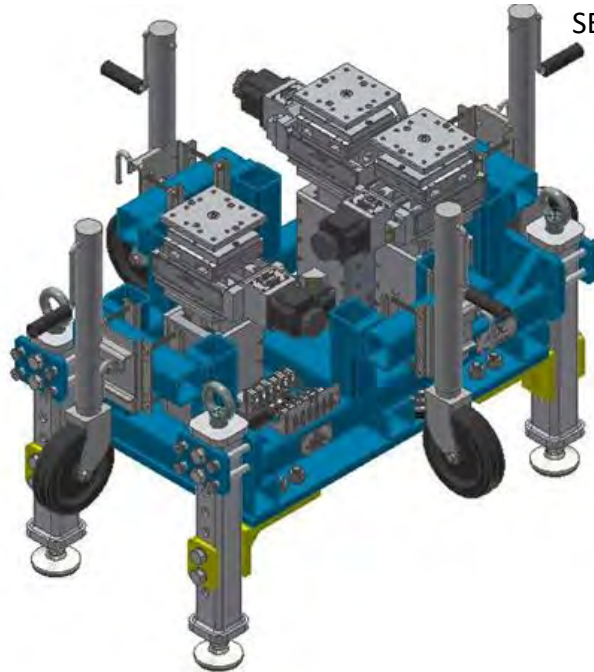


# AlbaNova Custom Optical Table



**Customer:**  
University  
Alba Nova University Center  
Roslagsvägen 30 B  
SE-114 19 Stockholm, Sweden



ADC has designed an optical table with 30cm of height adjustment built into the support structure for AlbaNova University Center. The precision motion system for controlling the optical table is supported by a welded steel frame with adjustable stainless-steel columns on each corner. The height of these columns can be continuously adjusted over the 30cm range by the combined adjustment of the bolt location and the height of the swivel mounts at the base of each column. The stand also features detachable jacking casters which can be used to adjust the table height without the need for a forklift or crane. The design features ADC's 400 series jacks and slides and has 100 mm of vertical travel, 75 mm of horizontal travel and 6 degrees of freedom. The stand and motion system can support a 700 kg (1540 lb) load.

