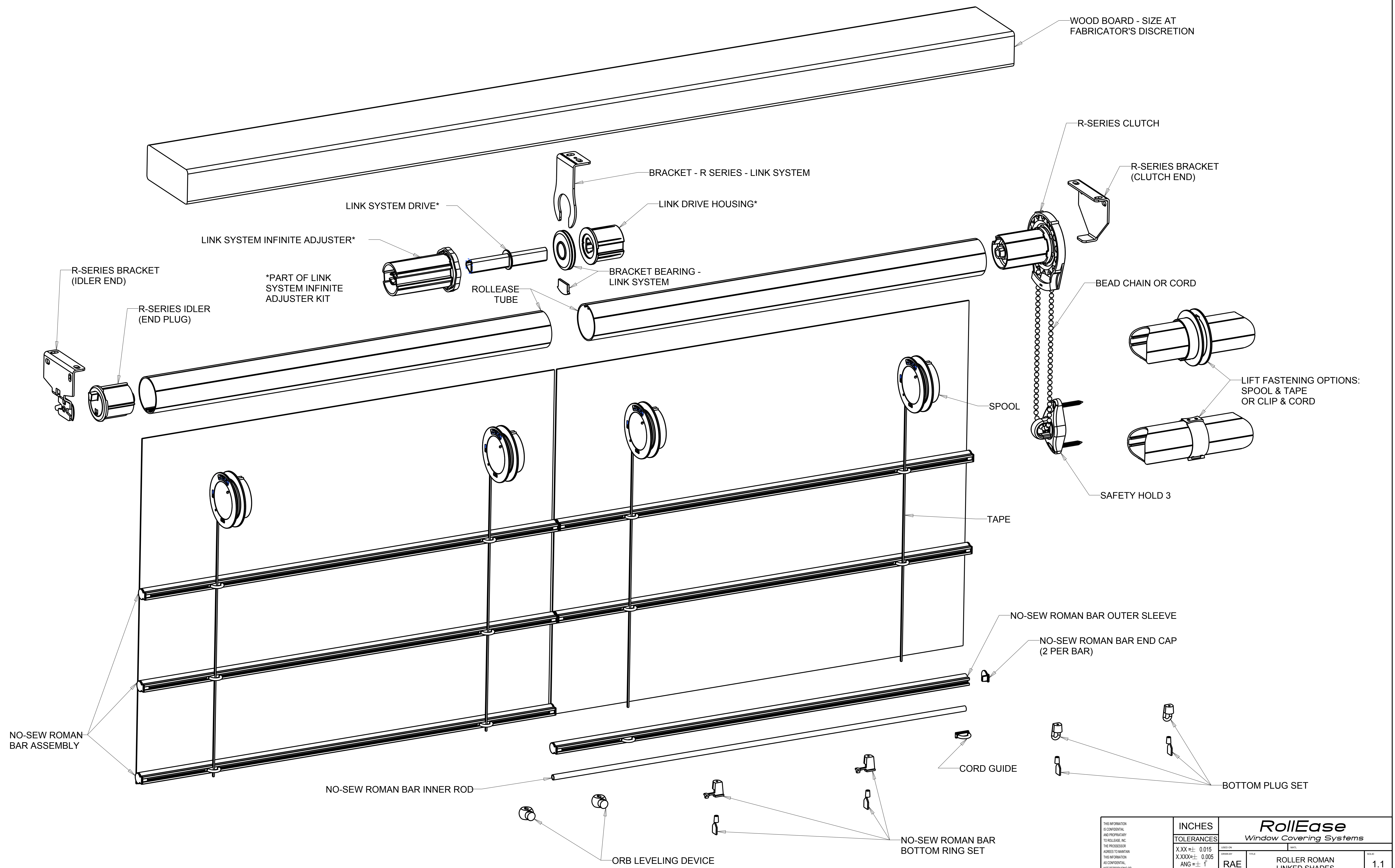


REVISION RECORD				
SYM	DESCRIPTION	BY	DATE	CHK



<small>THIS INFORMATION IS CONFIDENTIAL AND PROPRIETARY TO ROLLESE, INC. THE POSSESSOR AGREES TO MAINTAIN THIS INFORMATION AS CONFIDENTIAL, NOT REPRODUCE OR DISSEMINATE IN WHOLE OR IN PART TO ANY THIRD PARTY.</small>	INCHES	RollEase Window Covering Systems		
	TOLERANCES	X.XXX ± 0.015 X.XXXX ± 0.005 ANG ± 1°	DESIGNED BY RAE	TITLE ROLLER ROMAN LINKED SHADES
	DATE	15MAY13	SCALE D	PART NO. W174P037
				REV. 1.1
				QTY. 1