

PALISADES 3 SHELL OFFICE BUILDING
 5401 TRINITY ROAD
 RALEIGH, NC 27607
 (EXTERIOR CURTAINWALL SUBMITTAL)

ARCHITECT

HAGERSMITH DESIGN
 300 SOUTH DAWSON STREET
 RALEIGH, NC 27602
 P: 919.821.5547
 WWW.HAGERSMITH.COM

ERECTOR

CLAYTON COMMERCIAL GLAZING
 3210 US HIGHWAY 70W
 SMITHFIELD, NC 27577
 P: 919.550.4024

DRAWING INDEX

SHEET NUMBER	DESCRIPTION
.01 - .03	COVER SHEET & SCHEDULES
1.01 - 1.06	PLAN VIEWS
1.07 - 1.10	BUILDING ELEVATIONS
2.01 - 2.33	CURTAINWALL ELEVATIONS
3.01 - 3.74	CURTAINWALL DETAILS

PROJECT: PALISADES 3 SHELL OFFICE BUILDING	
LOCATION: 5401 TRINITY ROAD	
RALEIGH, NC 27607	
(EXTERIOR CURTAINWALL SUBMITTAL)	
12/23/19	11/13/19
1ST REVISION, CW	1ST SUBMISSION, GL
NO	DESCRIPTION
DRAWING SUBMISSION	
CLAYTON COMMERCIAL GLAZING 435 E SECOND ST. CLAYTON, NC 27520 (919)-550-0109	
GL	11/13/19
JB	11/13/19
JOB NO.:	
.01	

GLASS SCHEDULE

GLAZING TYPE	DESCRIPTION
G1	1" INSULATED VISION GLASS - MAKEUP TO BE DETERMINED
G2	1" INSULATED SPANDREL GLASS - MAKEUP TO BE DETERMINED
G3	1/4" MONOLITHIC VISION GLASS - 1/4" CLEAR TEMPERED
MP	1" INSULATED METAL PANEL

ARCH/GC GLASS NOTES:

ALL GLAZING TYPES LISTED HERE ARE BASIC DESCRIPTIONS.
 REFERENCE CLAYTON COMMERCIAL GLAZING SEPARATE SUBMITTALS FOR A COMPLETE GLASS SCHEDULE.

WINDOW SYSTEMS:

EXTERIOR CURTAINWALL:

TUBELITE 400IG - 2 1/2" X 5 3/4"
 FRONT SET INSIDE GLAZED TO ACCEPT 1" GLASS

TUBELITE 400IG - 2 1/2" X 7 3/8"
 FRONT SET INSIDE GLAZED TO ACCEPT 1" GLASS

TUBELITE 400 2 1/2" X 10"
 FRONT SET OUTSIDE GLAZED TO ACCEPT 1" GLASS

EXTERIOR STOREFRONT DOORS:

TUBELITE MEDIUM STILE DOORS 1 3/4" THICK
 WITH 4" TOP RAIL AND 10" BOTTOM RAIL TO ACCEPT 1/4" GLASS

ALUMINUM FINISH:

CLASS I CLEAR ANODIZED

	DATE
12/23/19	11/13/19
1ST REVISION, CW	1ST SUBMISSION, GL
NO	DESCRIPTION
DRAWING SUBMISSION	

CLAYTON COMMERCIAL GLAZING
 435 E SECOND ST.
 CLAYTON, NC 27520
 (919)-550-0109

PROJECT: PALISADES 3 SHELL OFFICE BUILDING	
LOCATION: 3401 TRINITY ROAD	
RALEIGH, NC 27607	
(EXTERIOR CURTAINWALL SUBMITTAL)	

DRAWN BY: GL	DATE: 11/13/19
CHECKED BY: JB	DATE: 11/13/19
JOB NO.:	

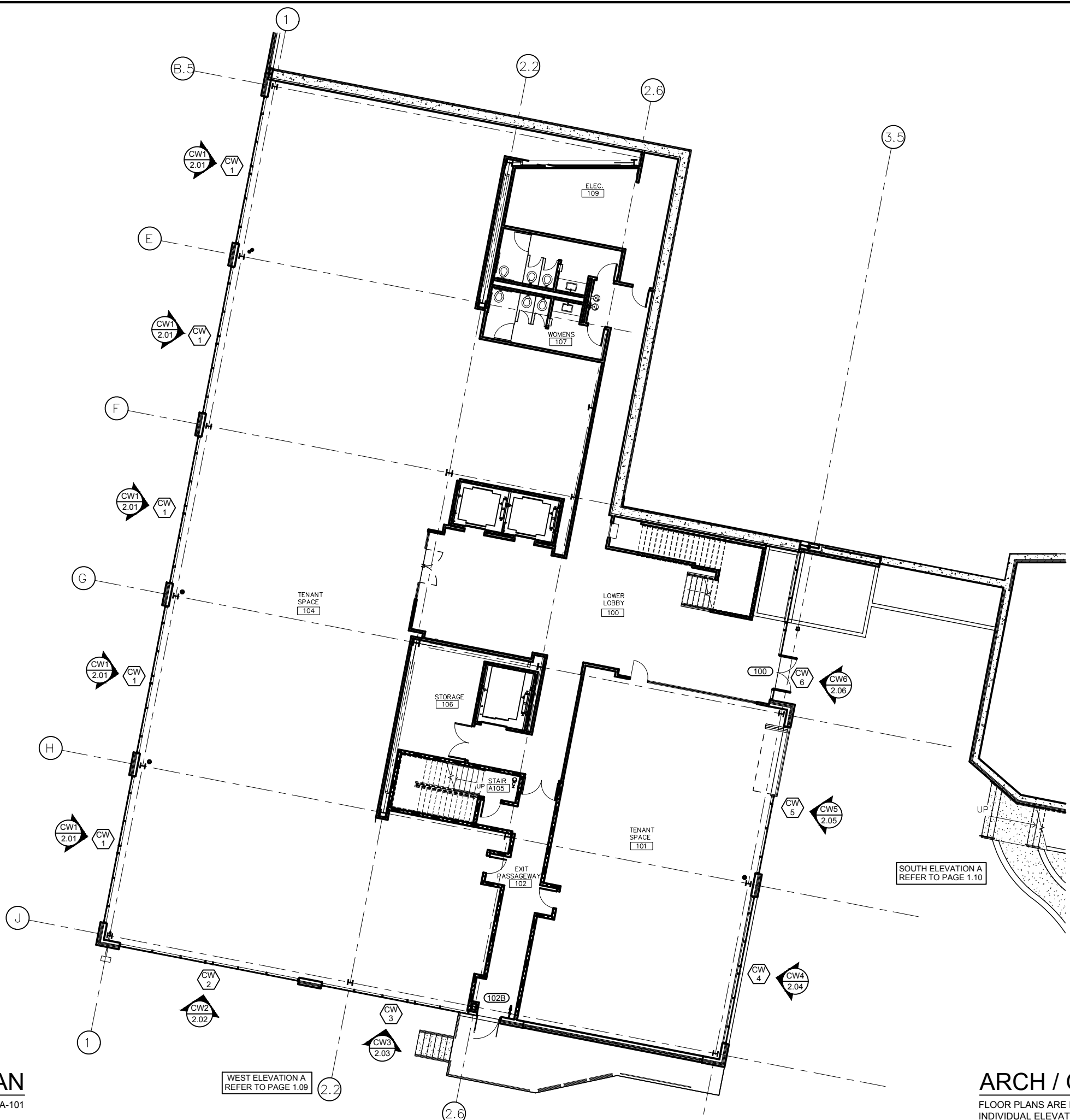


1ST FLOOR PLAN
NTS ARCH. REF. A-101

NORTH ELEVATION
REFER TO PAGE 1.08

WEST ELEVATION A
REFER TO PAGE 1.09

SOUTH ELEVATION A
REFER TO PAGE 1.10



ARCH / G.C. NOTE:

FLOOR PLANS ARE PROVIDED FOR WINDOW LOCATION ONLY. SEE INDIVIDUAL ELEVATIONS FOR SIZE AND SPACING.

NO	DESCRIPTION	DATE
1	1ST SUBMISSION, GL	11/13/19
2	1ST REVISION, CW	12/23/19

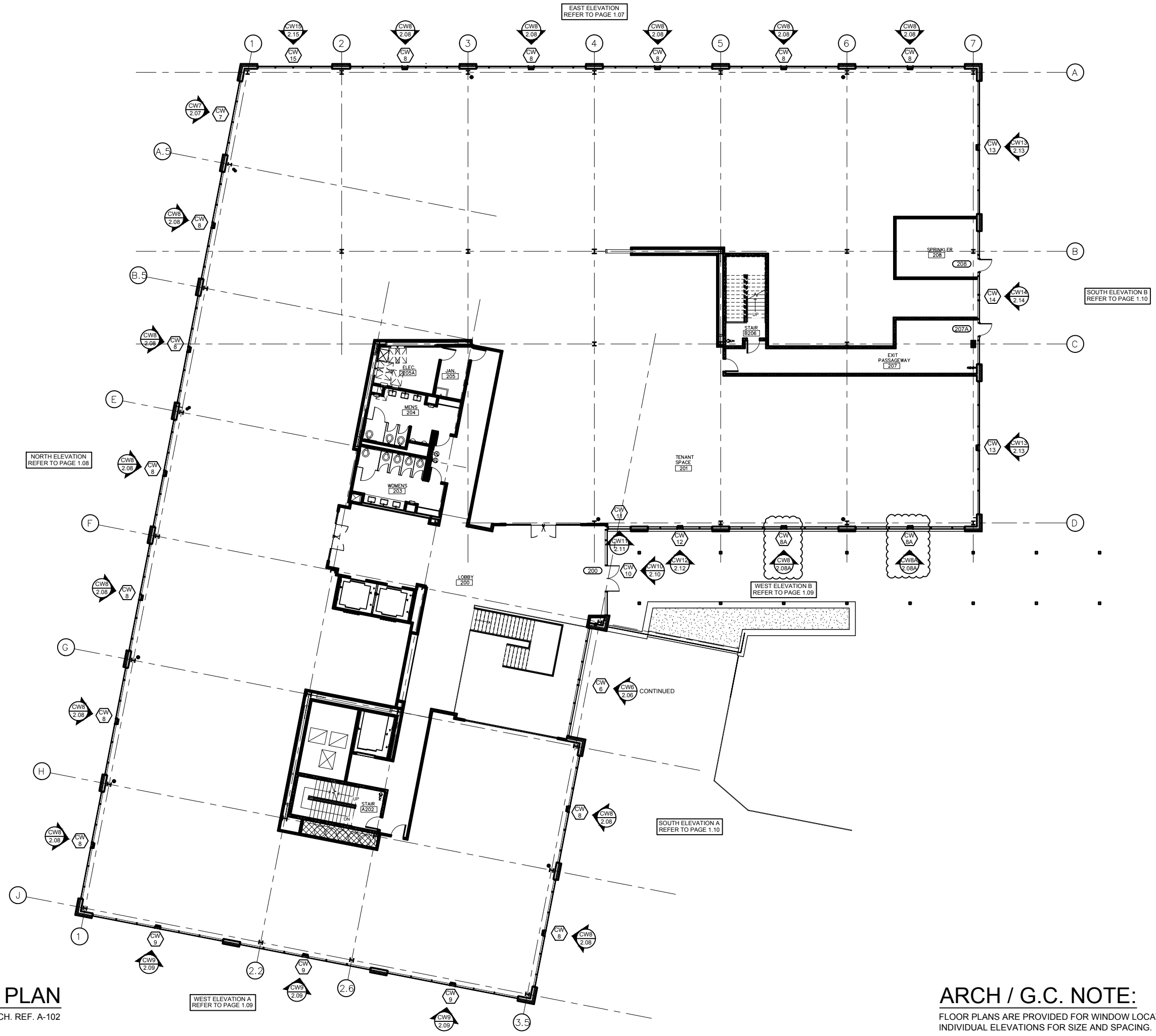
CLAYTON COMMERCIAL GLAZING
435 E SECOND ST.
CLAYTON, NC 27520
(919)-550-0109

PROJECT: PALISADES 3 SHELL OFFICE BUILDING
LOCATION: 3401 TRINITY ROAD
RALEIGH, NC 27607

EXTERIOR CURTAINWALL SUBMITTAL

DRAWN BY:	GL	DATE:	11/13/19
CHECKED BY:	JB	DATE:	11/13/19
JOB NO.:	1.01		

1.01



EAST ELEVATION
REFER TO PAGE 1.07

SOUTH ELEVATION B
REFER TO PAGE 1.10

NORTH ELEVATION
REFER TO PAGE 1.08

WEST ELEVATION B
REFER TO PAGE 1.09

SOUTH ELEVATION A
REFER TO PAGE 1.10

WEST ELEVATION A
REFER TO PAGE 1.09

NO	DESCRIPTION	DATE
1	1ST REVISION, CW	12/23/19
2	1ST SUBMISSION, GL	11/13/19

CLAYTON COMMERCIAL GLAZING
435 E SECOND ST.
CLAYTON, NC 27520
(919)-550-0109

PROJECT:	PALISADES 3 SHELL OFFICE BUILDING
LOCATION:	3401 TRINITY ROAD RALEIGH, NC 27607
EXTERIOR CURTAINWALL SUBMITTAL	

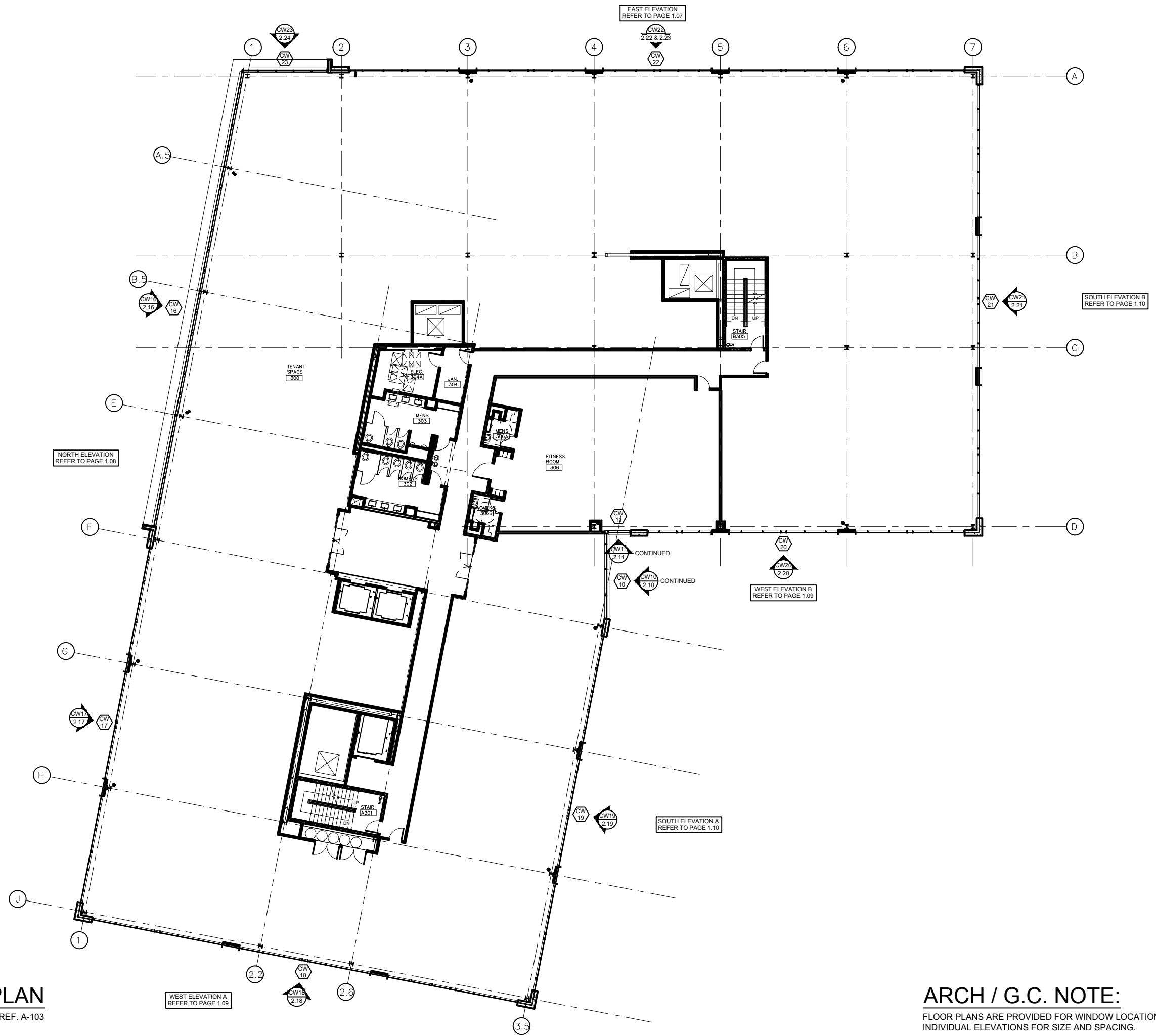
DRAWN BY:	GL	DATE:	11/13/19
CHECKED BY:	JB	DATE:	11/13/19
JOB NO.:			

1.02



2ND FLOOR PLAN
 NTS ARCH. REF. A-102

ARCH / G.C. NOTE:
 FLOOR PLANS ARE PROVIDED FOR WINDOW LOCATION ONLY. SEE
 INDIVIDUAL ELEVATIONS FOR SIZE AND SPACING.



3RD FLOOR PLAN
 NTS ARCH. REF. A-103

ARCH / G.C. NOTE:
 FLOOR PLANS ARE PROVIDED FOR WINDOW LOCATION ONLY. SEE
 INDIVIDUAL ELEVATIONS FOR SIZE AND SPACING.

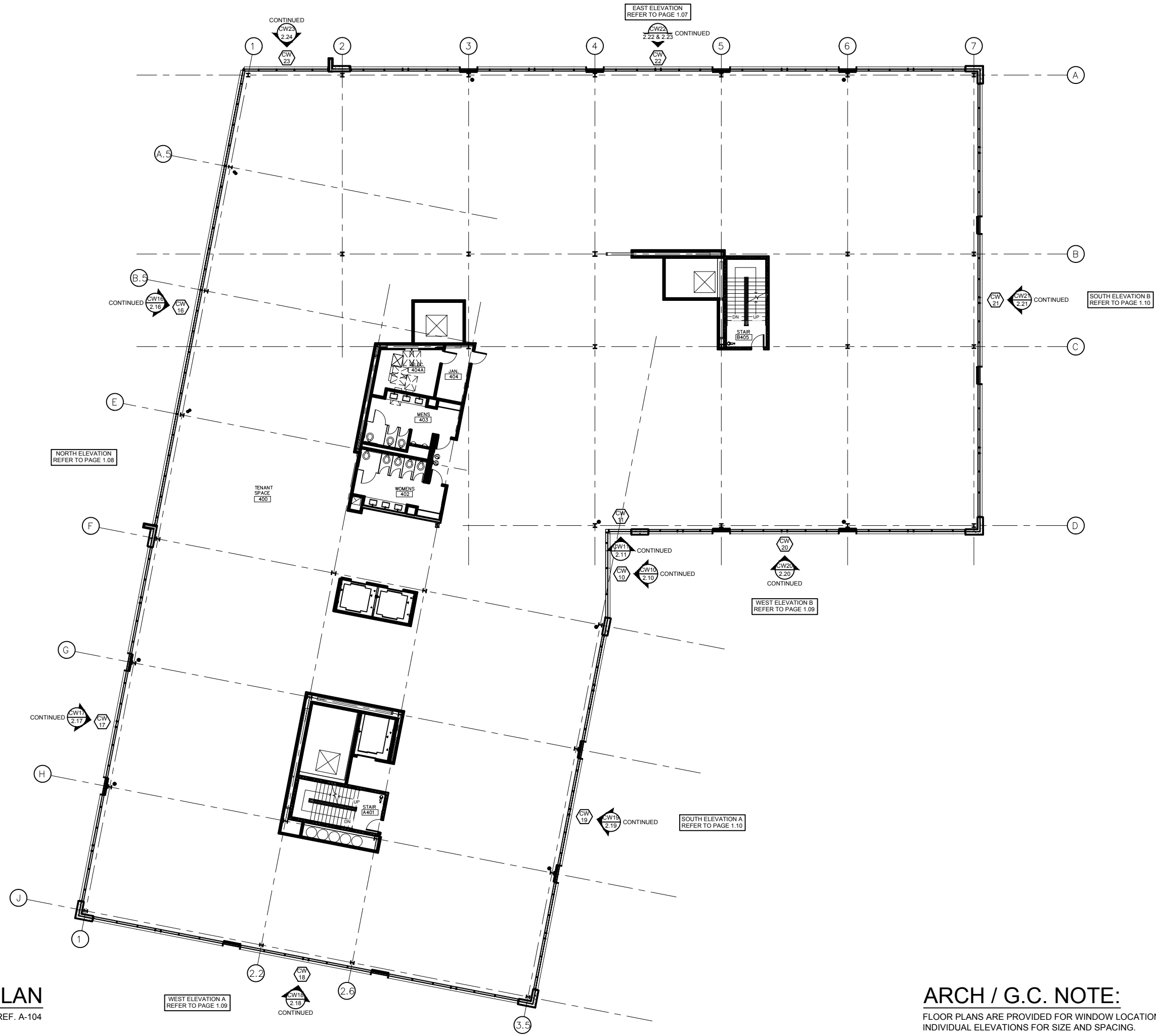
NO	DESCRIPTION	DATE
1	1ST REVISION, CW	12/23/19
2	1ST SUBMISSION, GL	11/13/19

CLAYTON COMMERCIAL GLAZING
 435 E SECOND ST.
 CLAYTON, NC 27520
 (919)-550-0109

PROJECT: PALISADES 3 SHELL OFFICE BUILDING
 LOCATION: 3401 TRINITY ROAD
 RALEIGH, NC 27607
 (EXTERIOR CURTAINWALL SUBMITTAL)

DRAWN BY:	DATE:
GL	11/13/19
CHECKED BY:	DATE:
JB	11/13/19

JOB NO.:
 1.03



NO	DESCRIPTION	DATE
1	1ST REVISION, CW	12/23/19
2	1ST SUBMISSION, GL	11/13/19

CLAYTON COMMERCIAL GLAZING
 435 E SECOND ST.
 CLAYTON, NC 27520
 (919)-550-0109

PROJECT: PALISADES 3 SHELL OFFICE BUILDING
 LOCATION: 3401 TRINITY ROAD
 RALEIGH, NC 27607
 (EXTERIOR CURTAINWALL SUBMITTAL)

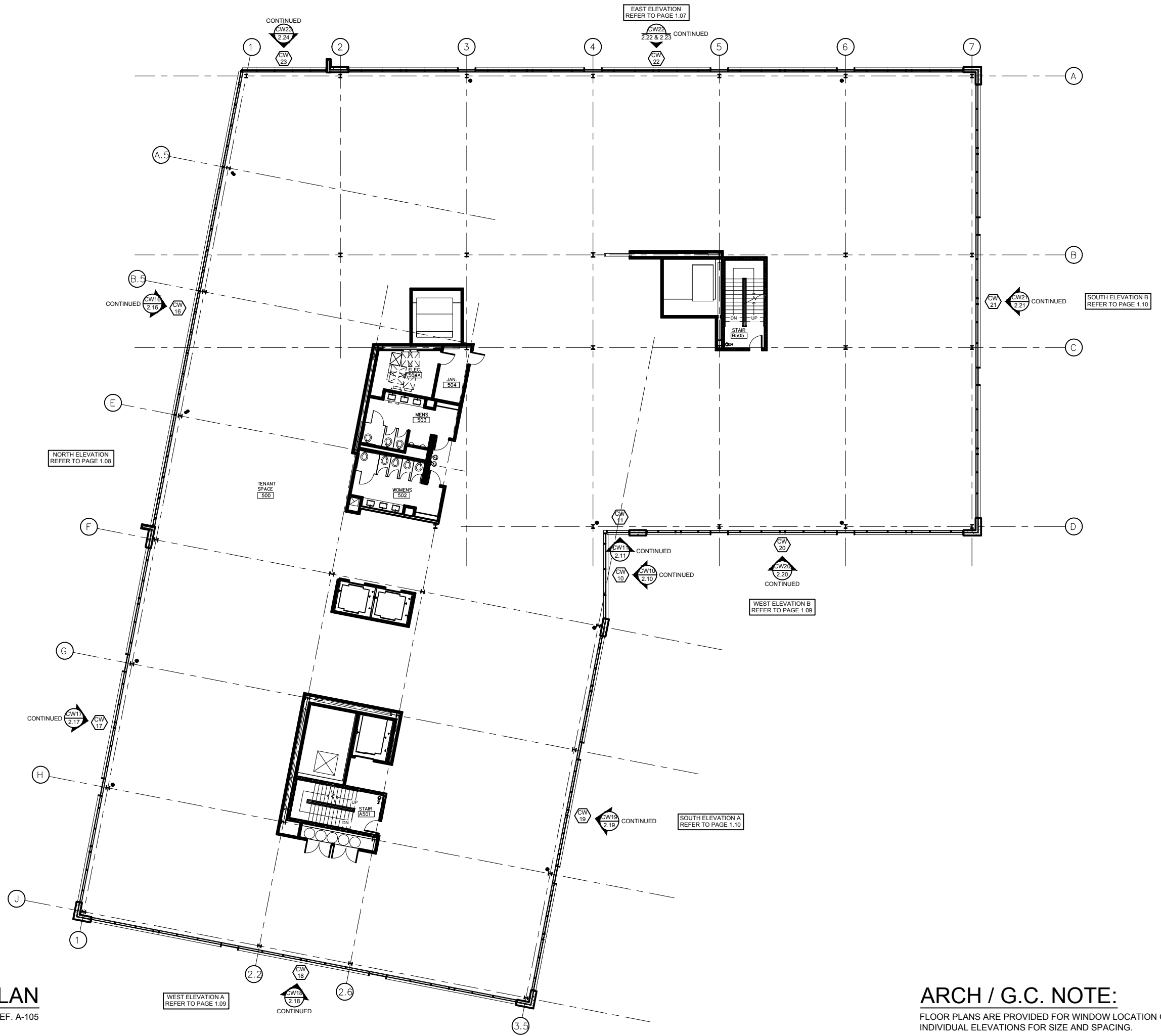
NO	DATE
GL	11/13/19
JB	11/13/19

JOB NO.:
 1.04

4TH FLOOR PLAN
 NTS ARCH. REF. A-104

ARCH / G.C. NOTE:
 FLOOR PLANS ARE PROVIDED FOR WINDOW LOCATION ONLY. SEE INDIVIDUAL ELEVATIONS FOR SIZE AND SPACING.





NO	DESCRIPTION	DATE
1	1ST REVISION, CW	12/23/19
2	1ST SUBMISSION, GL	11/13/19

CLAYTON COMMERCIAL GLAZING
 435 E SECOND ST.
 CLAYTON, NC 27520
 (919)-550-0109

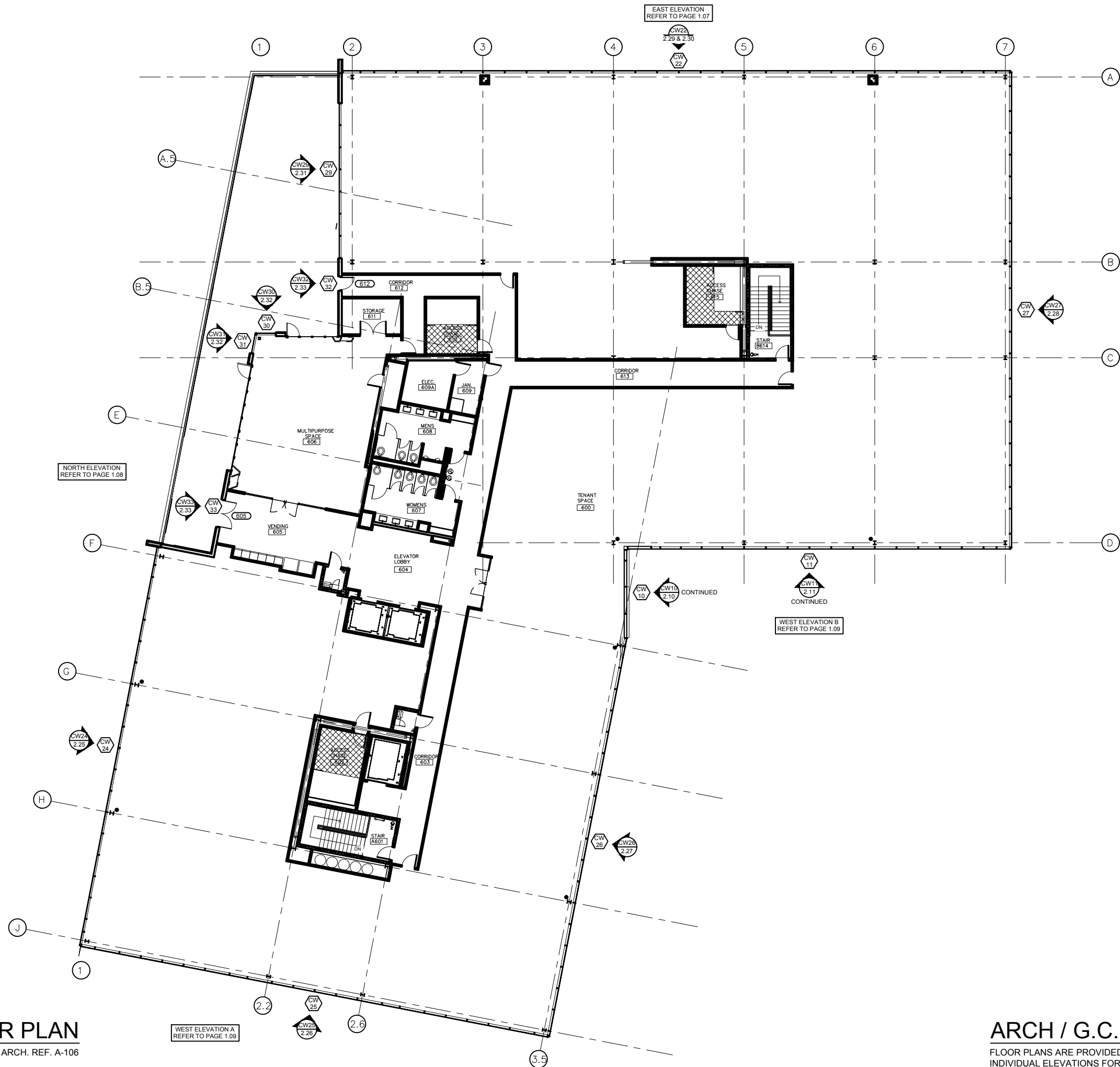
PROJECT: PALISADES 3 SHELL OFFICE BUILDING
 LOCATION: 3401 TRINITY ROAD
 RALEIGH, NC 27607
 (EXTERIOR CURTAINWALL SUBMITTAL)

NO	DATE
GL	11/13/19
JB	11/13/19

JOB NO.: 1.05

5TH FLOOR PLAN
 NTS ARCH. REF. A-105

ARCH / G.C. NOTE:
 FLOOR PLANS ARE PROVIDED FOR WINDOW LOCATION ONLY. SEE INDIVIDUAL ELEVATIONS FOR SIZE AND SPACING.



6TH FLOOR PLAN
NTS ARCH. REF. A-106

ARCH / G.C. NOTE:
FLOOR PLANS ARE PROVIDED FOR WINDOW LOCATION ONLY. SEE INDIVIDUAL ELEVATIONS FOR SIZE AND SPACING.

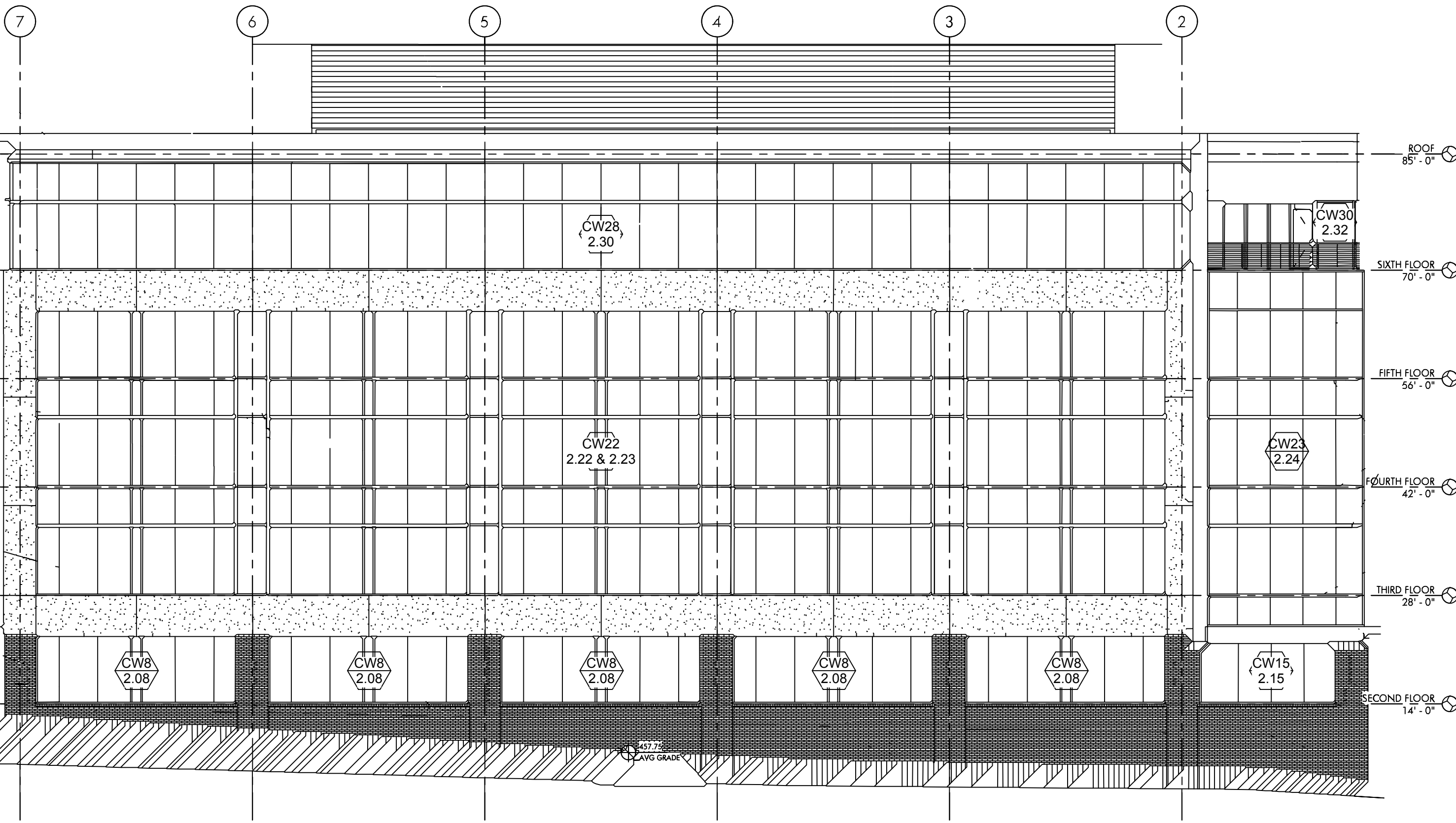
NO	DESCRIPTION	DATE
1	1ST REVISION, CW	12/23/19
2	1ST SUBMISSION, GL	11/13/19

CLAYTON COMMERCIAL GLAZING
435 E SECOND ST.
CLAYTON, NC 27520
(919)-550-0109

PROJECT: PALISADES 3 SHELL OFFICE BUILDING
LOCATION: 3401 TRINITY ROAD
RALEIGH, NC 27607
(EXTERIOR CURTAINWALL SUBMITTAL)

DRAWN BY:	DATE:
GL	11/13/19
CHECKED BY:	DATE:
JB	11/13/19
JOB NO.:	1.06

NO	DESCRIPTION	DATE
1	1ST REVISION, CW	12/23/19
2	1ST SUBMISSION, GL	11/13/19



NO	DESCRIPTION	DATE
1	1ST REVISION, CW	12/23/19
2	1ST SUBMISSION, GL	11/13/19

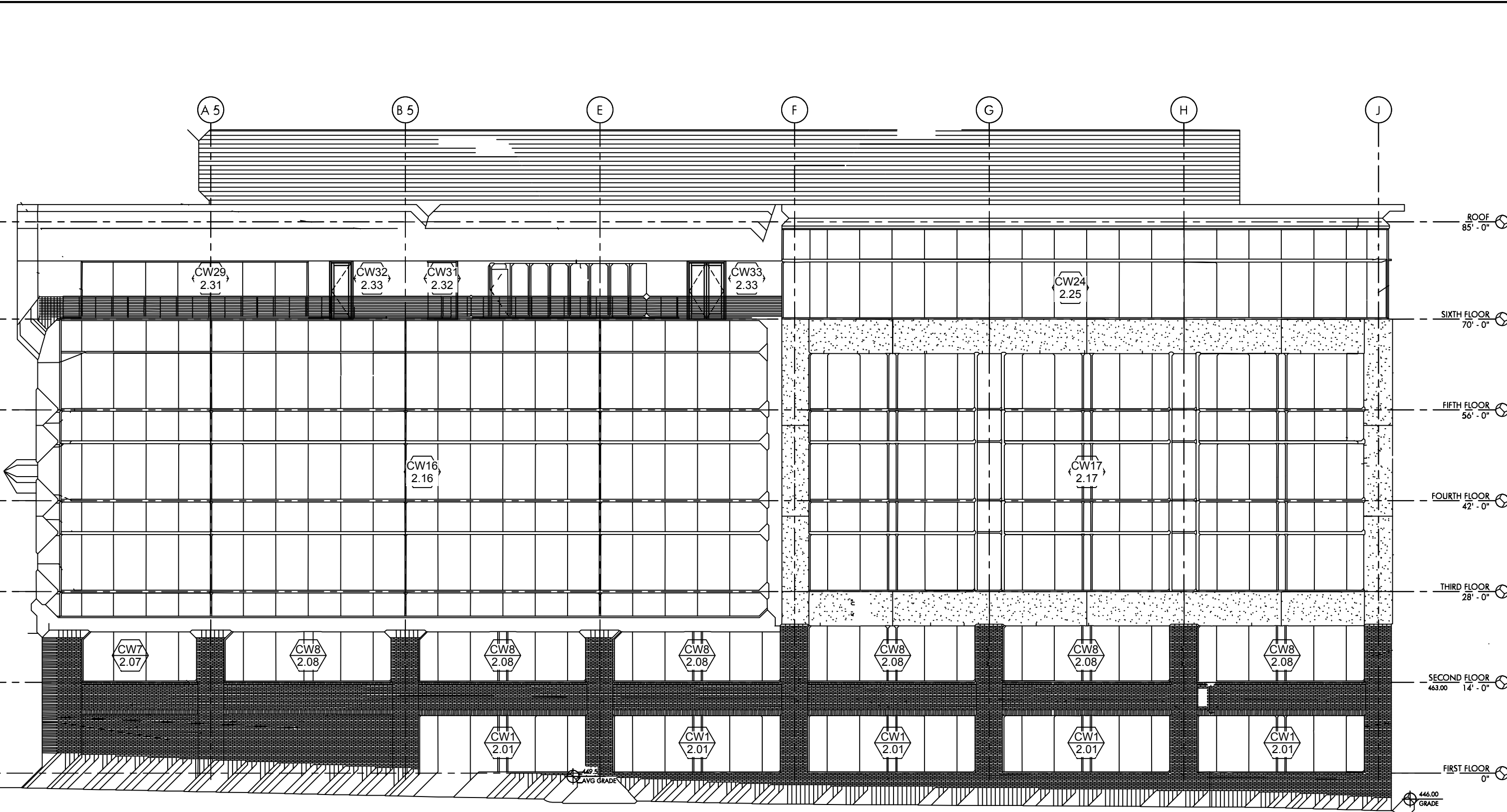
CLAYTON COMMERCIAL GLAZING
 435 E SECOND ST.
 CLAYTON, NC 27520
 (919)-550-0109

PROJECT: PALISADES 3 SHELL OFFICE BUILDING
 LOCATION: 3401 TRINITY ROAD
 RALEIGH, NC 27607
 (EXTERIOR CURTAINWALL SUBMITTAL)

DRAWN BY:	GL	DATE:	11/13/19
CHECKED BY:	JB	DATE:	11/13/19
JOB NO.:			

EAST ELEVATION
 NTS ARCH. REF. A-201

ARCH / G.C. NOTE:
 FLOOR PLANS ARE PROVIDED FOR WINDOW LOCATION ONLY. SEE
 INDIVIDUAL ELEVATIONS FOR SIZE AND SPACING.



NO	DESCRIPTION	DATE
1	1ST REVISION, CW	12/23/19
2	1ST SUBMISSION, GL	11/13/19
	DRAWING SUBMISSION	

CLAYTON COMMERCIAL GLAZING
 435 E SECOND ST.
 CLAYTON, NC 27520
 (919)-550-0109

PROJECT: PALISADES 3 SHELL OFFICE BUILDING
 LOCATION: 3401 TRINITY ROAD
 RALEIGH, NC 27607
 (EXTERIOR CURTAINWALL SUBMITTAL)

DRAWN BY:	DATE:
GL	11/13/19
CHECKED BY:	DATE:
JB	11/13/19
JOB NO.:	

NORTH ELEVATION
 NTS ARCH. REF. A-202

ARCH / G.C. NOTE:
 FLOOR PLANS ARE PROVIDED FOR WINDOW LOCATION ONLY. SEE
 INDIVIDUAL ELEVATIONS FOR SIZE AND SPACING.

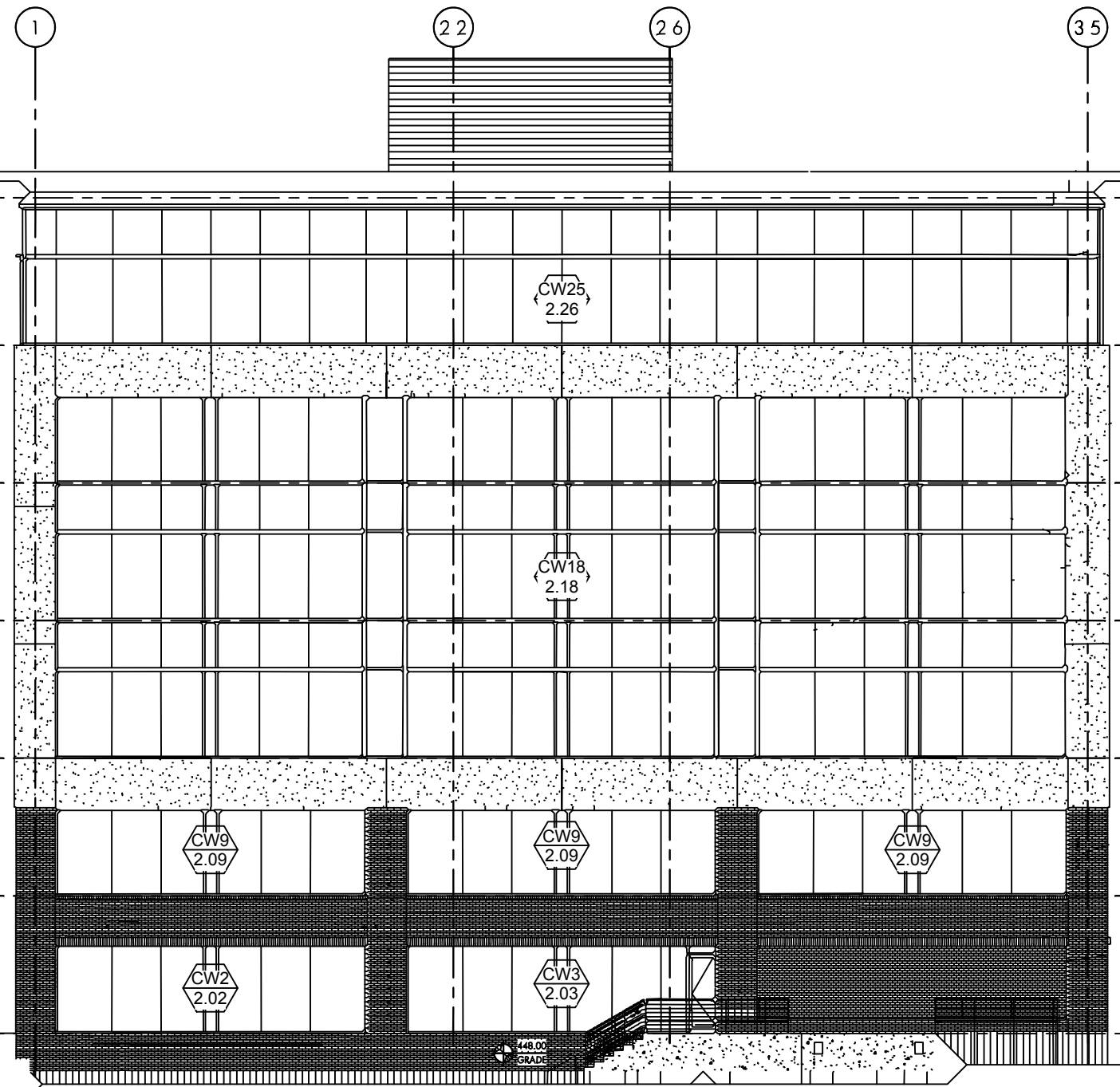
NO	DESCRIPTION	DATE
1	1ST REVISION, CW	12/23/19
2	1ST SUBMISSION, GL	11/13/19

CLAYTON COMMERCIAL GLAZING
 435 E SECOND ST.
 CLAYTON, NC 27520
 (919)-550-0109

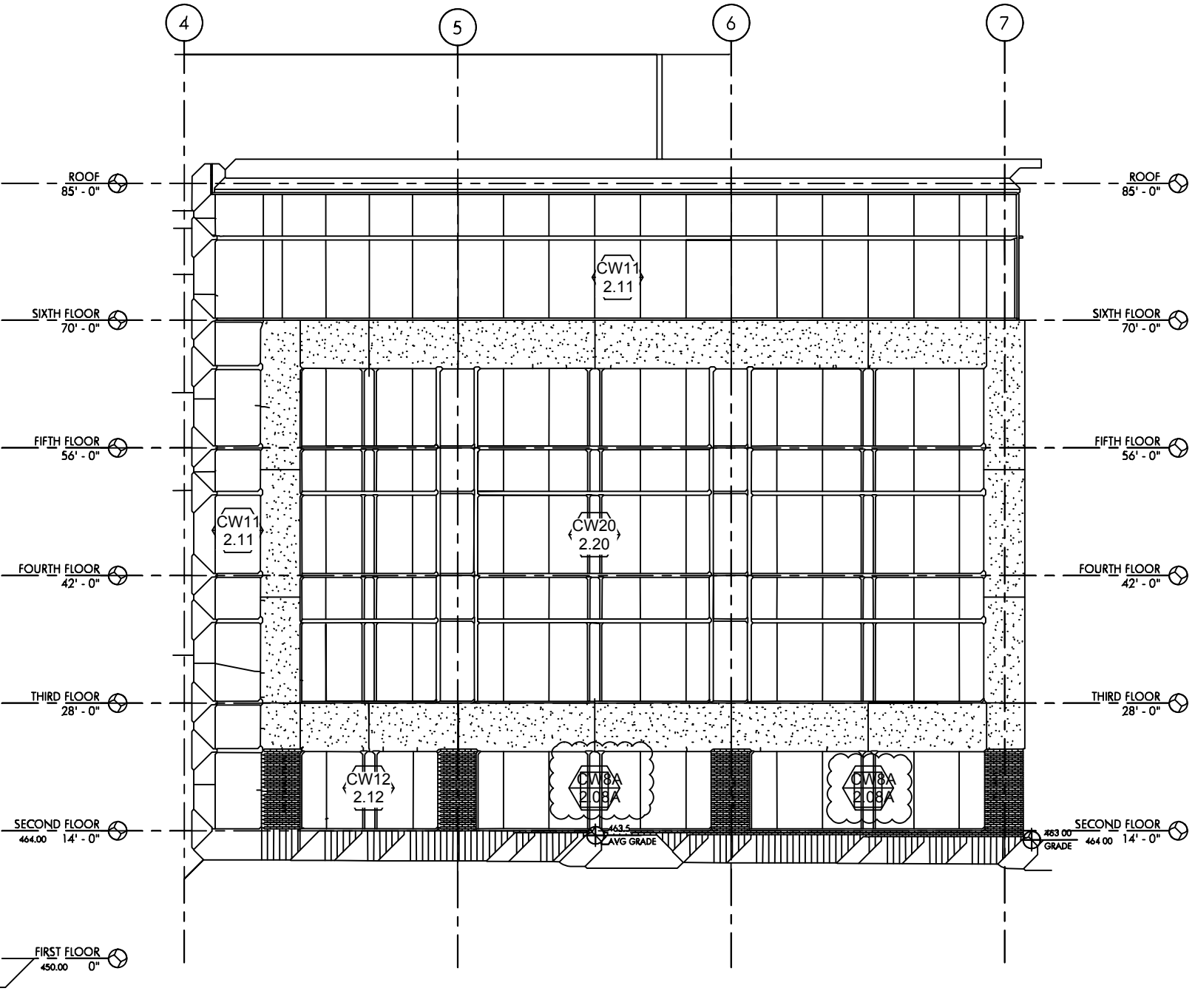
PROJECT: PALISADES 3 SHELL OFFICE BUILDING
 LOCATION: 3401 TRINITY ROAD
 RALEIGH, NC 27607
 (EXTERIOR CURTAINWALL SUBMITTAL)

DRAWN BY:	DATE:
GL	11/13/19
CHECKED BY:	DATE:
JB	11/13/19
JOB NO.:	

1.09

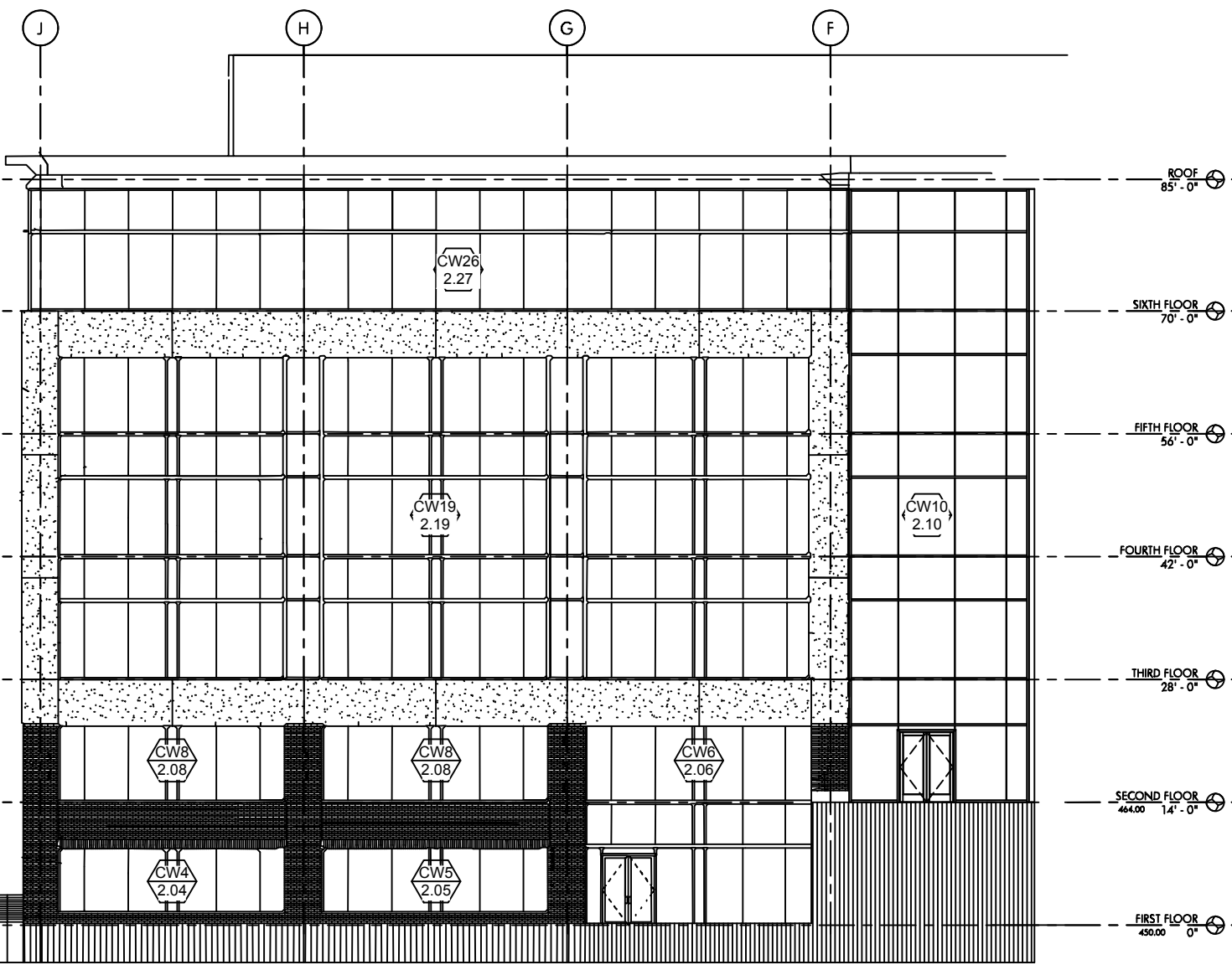


WEST ELEVATION A
 NTS ARCH. REF. A-203



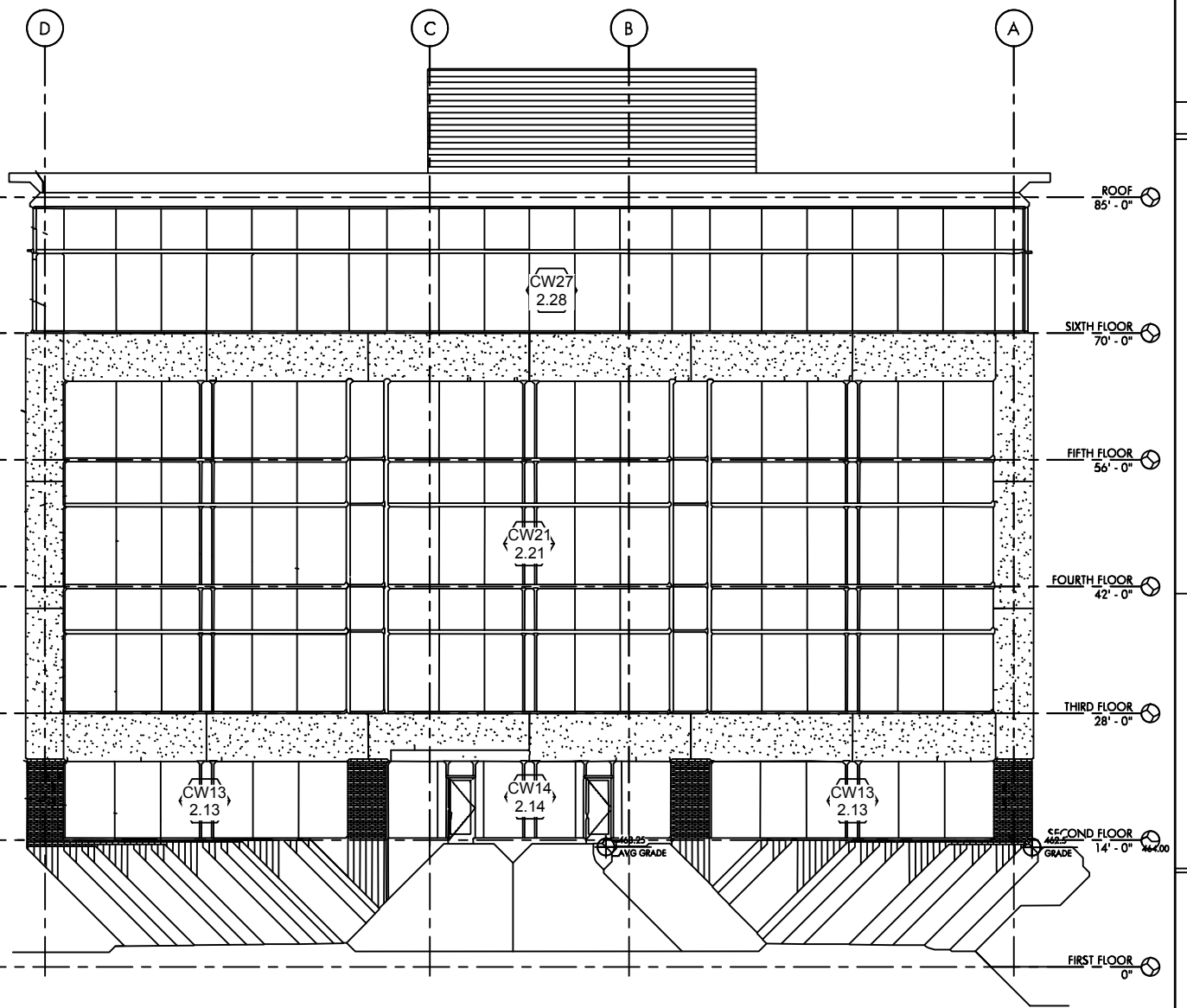
WEST ELEVATION B
 NTS ARCH. REF. A-203

ARCH / G.C. NOTE:
 FLOOR PLANS ARE PROVIDED FOR WINDOW LOCATION ONLY. SEE
 INDIVIDUAL ELEVATIONS FOR SIZE AND SPACING.



SOUTH ELEVATION A

NTS ARCH. REF. A-204



SOUTH ELEVATION B

NTS ARCH. REF. A-204

ARCH / G.C. NOTE:

FLOOR PLANS ARE PROVIDED FOR WINDOW LOCATION ONLY. SEE INDIVIDUAL ELEVATIONS FOR SIZE AND SPACING.

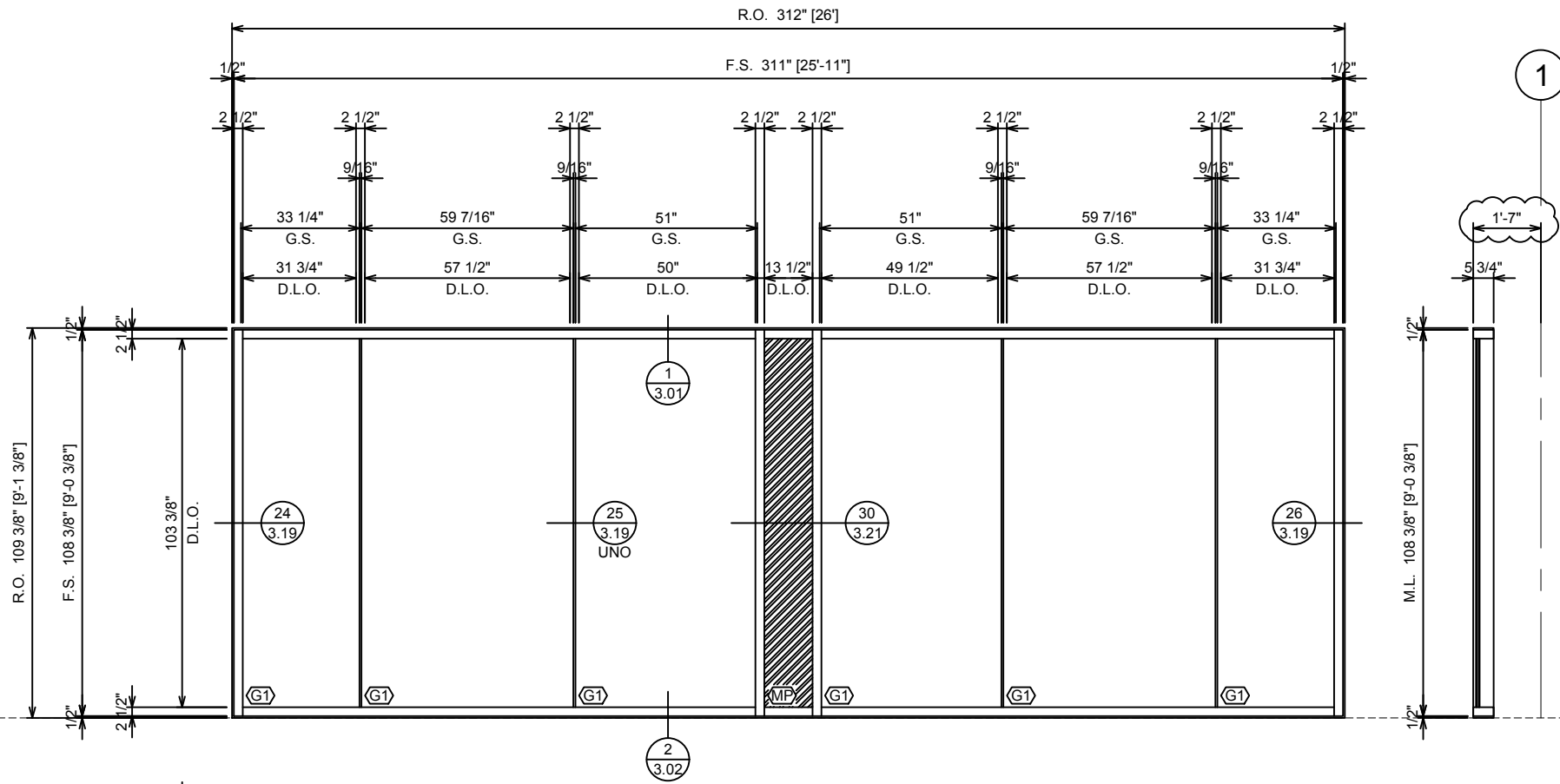
NO	DESCRIPTION	DATE
1	1ST SUBMISSION, GL	11/13/19
2	1ST REVISION, CW	12/23/19

CLAYTON COMMERCIAL GLAZING
 435 E SECOND ST.
 CLAYTON, NC 27520
 (919)-550-0109

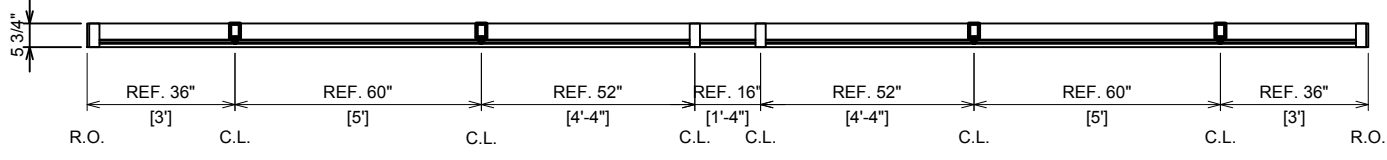
PROJECT: PALISADES 3 SHELL OFFICE BUILDING
 LOCATION: 3401 TRINITY ROAD
 RALEIGH, NC 27607
 (EXTERIOR CURTAINWALL SUBMITTAL)

DRAWN BY:	GL	DATE:	11/13/19
CHECKED BY:	JB	DATE:	11/13/19

JOB NO.:



ELEVATION CW 1
 SCALE: 1/4"=1'-0"
 TUBELITE 400IG
 2 1/2" X 5 3/4" CURTAINWALL
 1" INSULATED GLASS (FRONT SET)
 QUANTITY: 5



NO	DESCRIPTION	DATE
1	1ST REVISION, CW	12/23/19
2	1ST SUBMISSION, GL	11/13/19

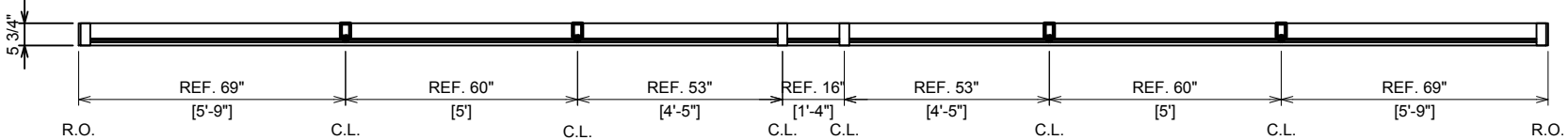
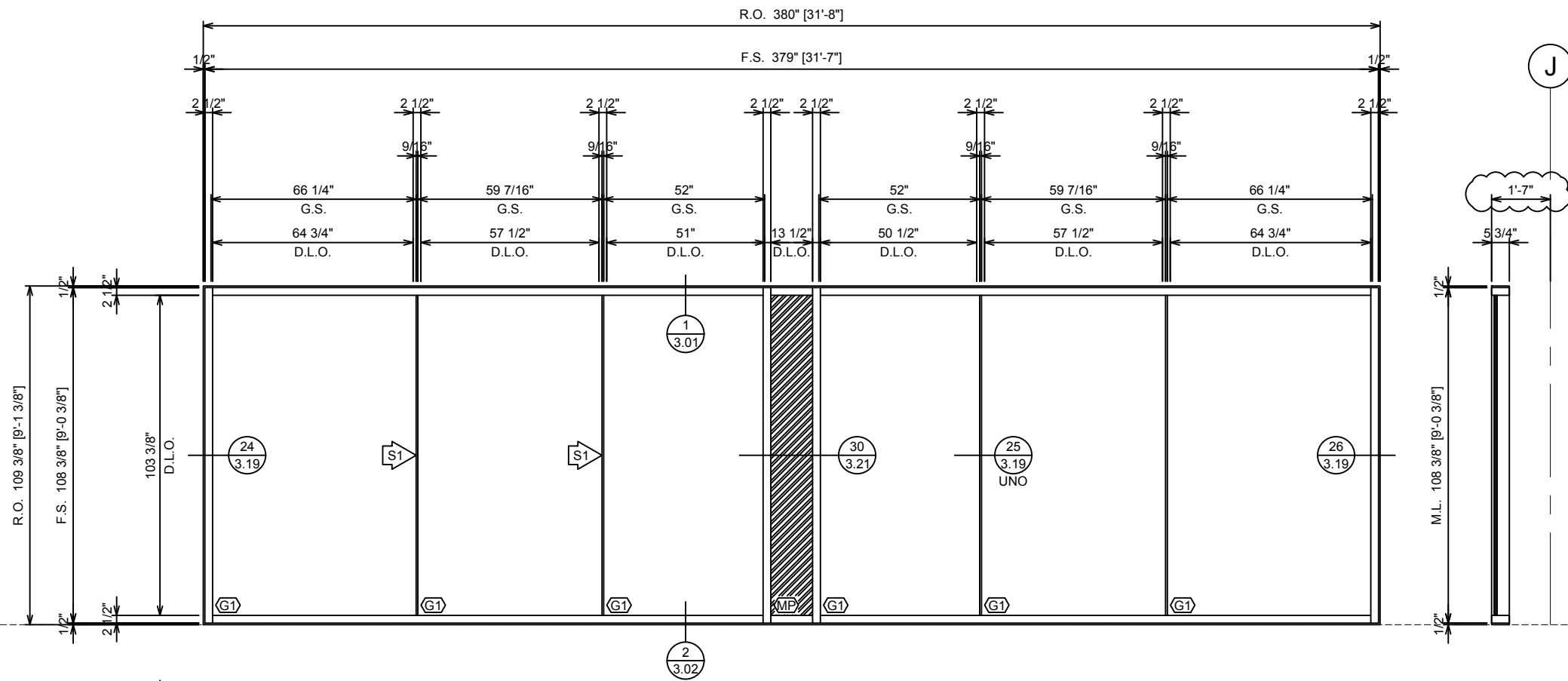
CLAYTON COMMERCIAL GLAZING
 435 E SECOND ST.
 CLAYTON, NC 27520
 (919) -550-0109

PROJECT: PALISADES 3 SHELL OFFICE BUILDING
 LOCATION: 3401 TRINITY ROAD
 RALEIGH, NC 27607
 (EXTERIOR CURTAINWALL SUBMITTAL)

DRAWN BY:	DATE:
GL	11/13/19
CHECKED BY:	DATE:
JB	11/13/19

ERECTOR / G.C. NOTE:
 PLEASE FIELD VERIFY ALL DIMENSIONS

JOB NO.:
 2.01



S1 2" X 3" X 1/4" X 3' LONG TUBE STEEL CENTERED IN MULLION

ELEVATION CW 2
 SCALE: 1/4"=1'-0"
 TUBELITE 400IG
 2 1/2" X 5 3/4" CURTAINWALL
 1" INSULATED GLASS (FRONT SET)
 QUANTITY: 1

ERECTOR / G.C. NOTE:
 PLEASE FIELD VERIFY ALL DIMENSIONS

NO	DESCRIPTION	DATE
1	1ST REVISION, CW	12/23/19
2	1ST SUBMISSION, GL	11/13/19

CLAYTON COMMERCIAL GLAZING
 435 E SECOND ST.
 CLAYTON, NC 27520
 (919)-550-0109

PROJECT: PALISADES 3 SHELL OFFICE BUILDING
 LOCATION: 3401 TRINITY ROAD
 RALEIGH, NC 27607
 (EXTERIOR CURTAINWALL SUBMITTAL)

DRAWN BY:	GL	DATE:	11/13/19
CHECKED BY:	JB	DATE:	11/13/19

JOB NO.: 2.02

NO	DESCRIPTION	DATE
1	1ST REVISION, CW	12/23/19
2	1ST SUBMISSION, GL	11/13/19

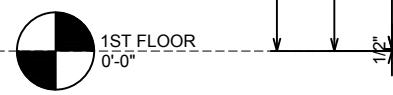
CLAYTON COMMERCIAL GLAZING
435 E SECOND ST.
CLAYTON, NC 27520
(919)-550-0109

PROJECT: PALISADES 3 SHELL OFFICE BUILDING
 LOCATION: 3401 TRINITY ROAD
 RALEIGH, NC 27607
 (EXTERIOR CURTAINWALL SUBMITTAL)

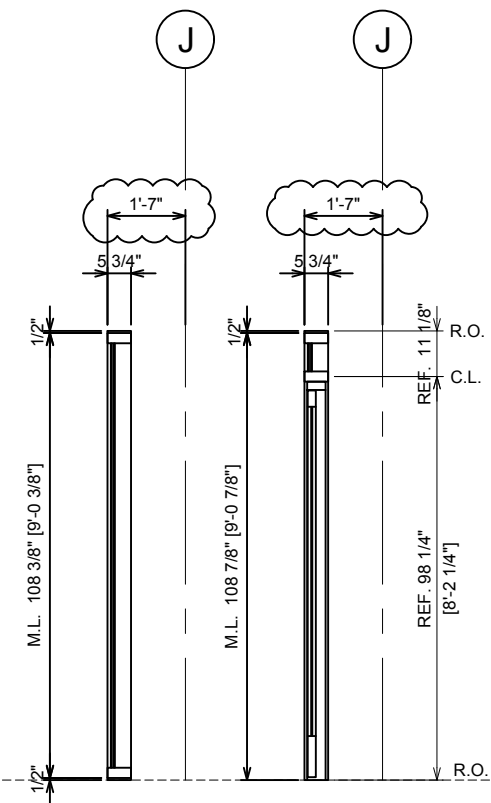
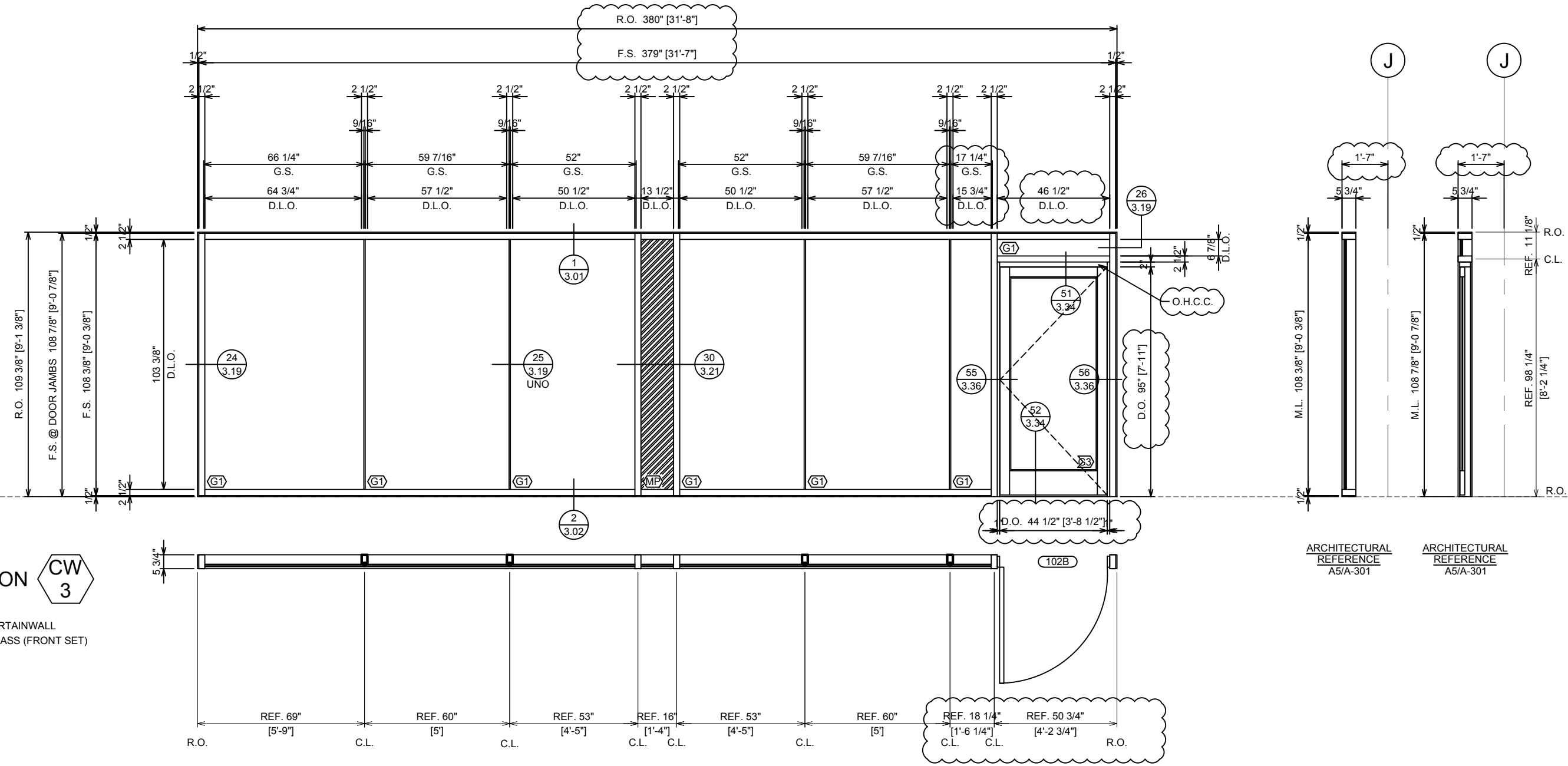
DRAWN BY:	DATE:
GL	11/13/19
CHECKED BY:	DATE:
JB	11/13/19
JOB NO.:	

ERECTOR / G.C. NOTE:
 PLEASE FIELD VERIFY ALL DIMENSIONS

2.03

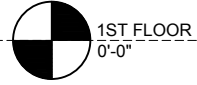


ELEVATION
 SCALE: 1/4"=1'-0"
 TUBELITE 400IG
 2 1/2" X 5 3/4" CURTAINWALL
 1" INSULATED GLASS (FRONT SET)
 QUANTITY: 1

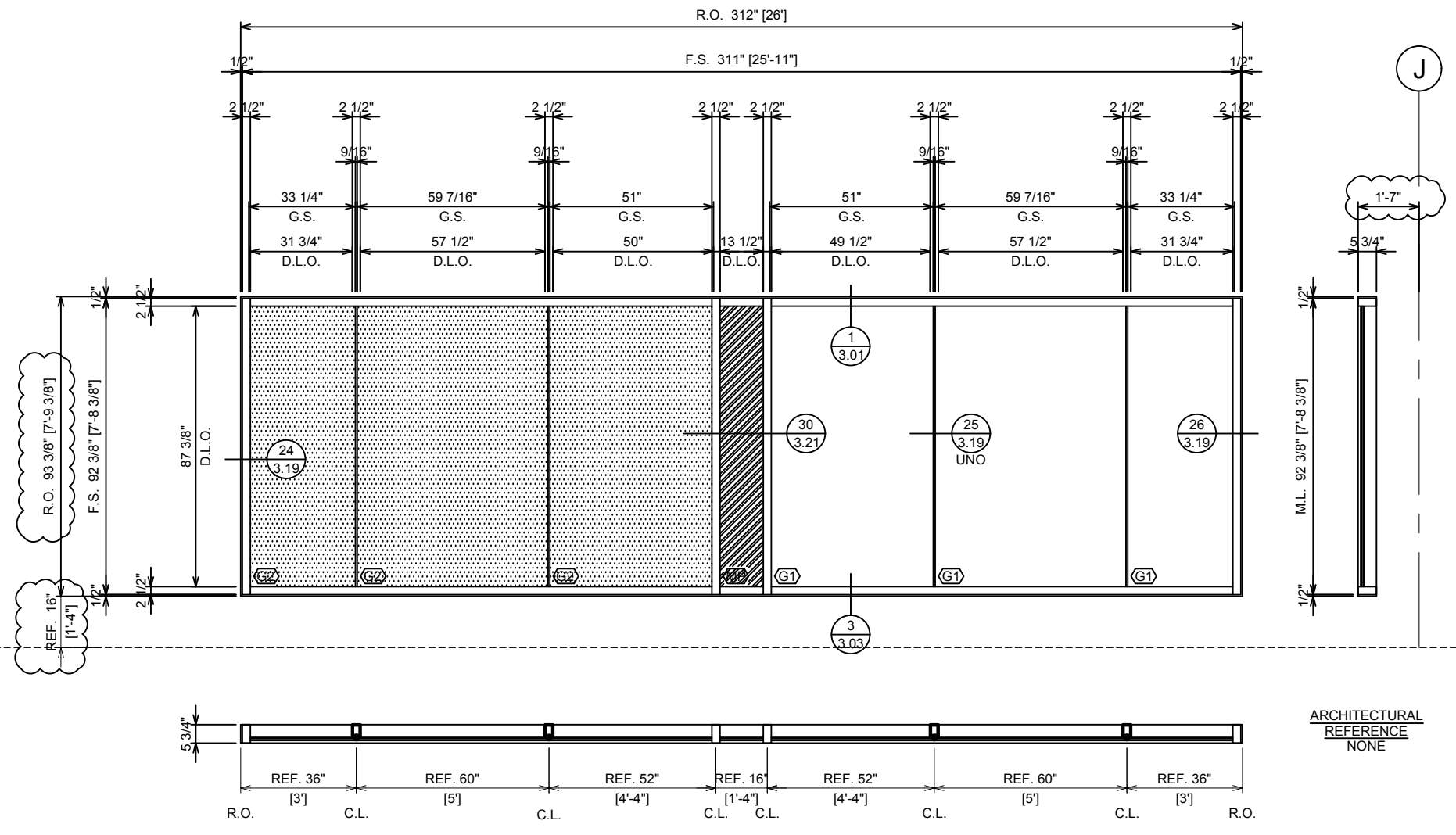


ARCHITECTURAL REFERENCE A5/A-301

ARCHITECTURAL REFERENCE A5/A-301



ELEVATION CW
4
 SCALE: 1/4"=1'-0"
 TUBELITE 400IG
 2 1/2" X 5 3/4" CURTAINWALL
 1" INSULATED GLASS (FRONT SET)
 QUANTITY: 1



ARCHITECTURAL
REFERENCE
NONE

NO	DESCRIPTION	DATE
1	1ST REVISION, CW	12/23/19
2	1ST SUBMISSION, GL	11/13/19

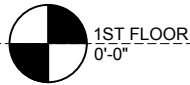
CLAYTON COMMERCIAL GLAZING
 435 E SECOND ST.
 CLAYTON, NC 27520
 (919)-550-0109

PROJECT: PALISADES 3 SHELL OFFICE BUILDING
 LOCATION: 3401 TRINITY ROAD
 RALEIGH, NC 27607
 (EXTERIOR CURTAINWALL SUBMITTAL)

DRAWN BY:	GL	DATE:	11/13/19
CHECKED BY:	JB	DATE:	11/13/19

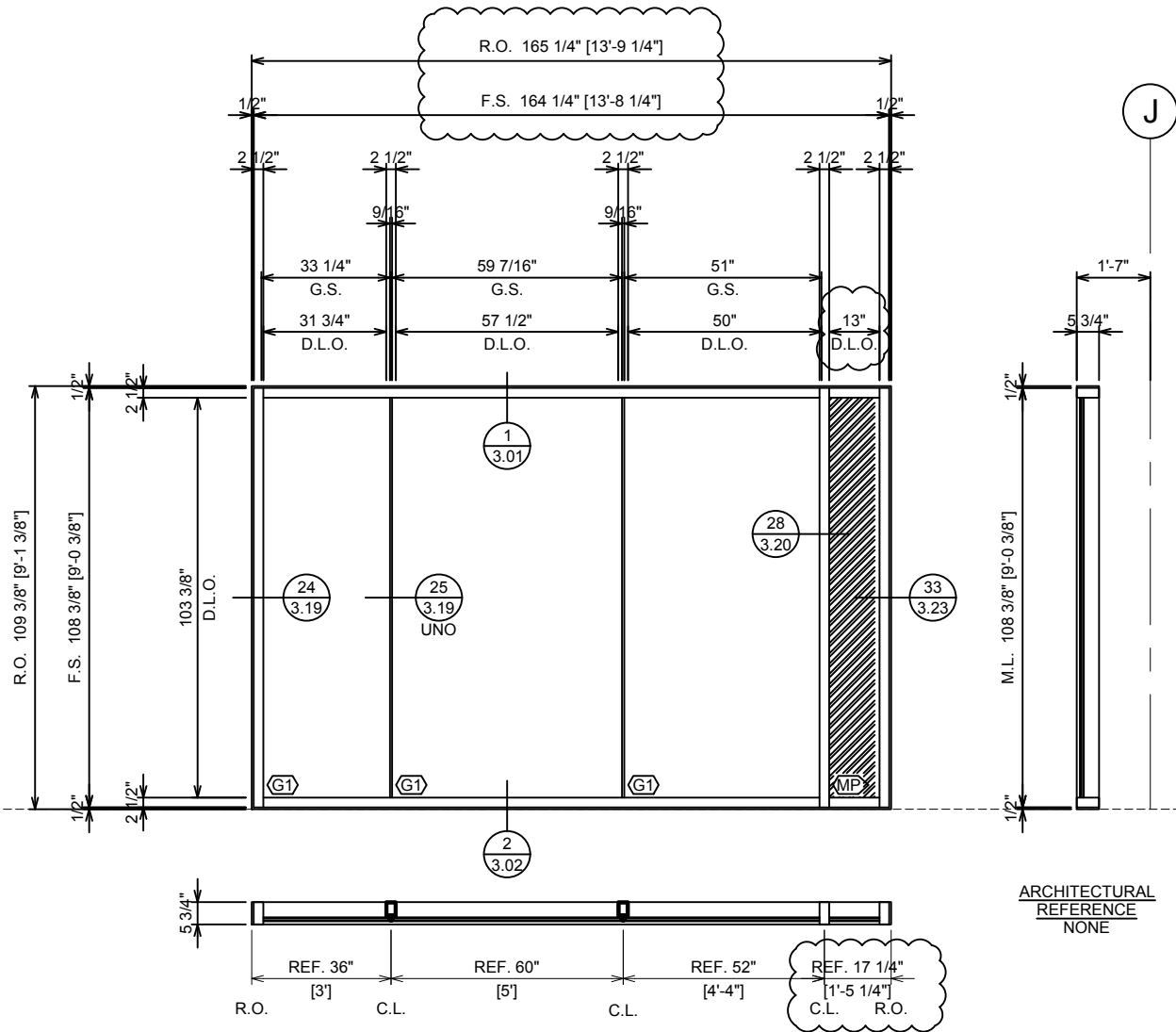
JOB NO.:

ERECTOR / G.C. NOTE:
 PLEASE FIELD VERIFY ALL DIMENSIONS



ELEVATION

SCALE: 1/4"=1'-0"
 TUBELITE 400IG
 2 1/2" X 5 3/4" CURTAINWALL
 1" INSULATED GLASS (FRONT SET)
 QUANTITY: 1



ARCHITECTURAL
 REFERENCE
 NONE

NO	DESCRIPTION	DATE
1	1ST SUBMISSION, GL	11/13/19
2	1ST REVISION, CW	12/23/19
DRAWING SUBMISSION		

CLAYTON COMMERCIAL GLAZING
 435 E SECOND ST.
 CLAYTON, NC 27520
 (919)-550-0109

PROJECT: PALISADES 3 SHELL OFFICE BUILDING
 LOCATION: 3401 TRINITY ROAD
 RALEIGH, NC 27607
 (EXTERIOR CURTAINWALL SUBMITTAL)

DRAWN BY:	DATE:
GL	11/13/19
CHECKED BY:	DATE:
JB	11/13/19
JOB NO.:	

ERECTOR / G.C. NOTE:
 PLEASE FIELD VERIFY ALL DIMENSIONS

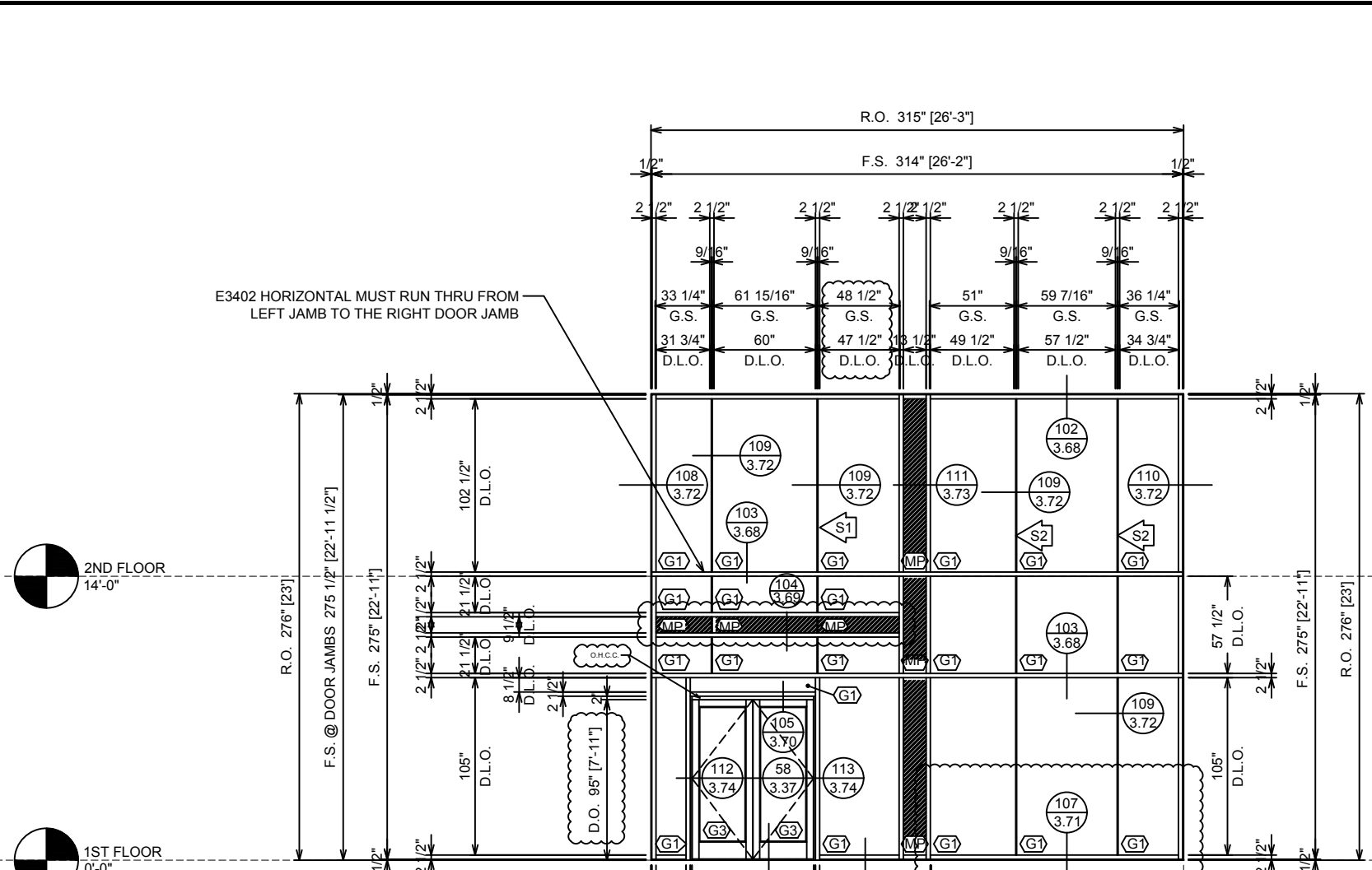
NO	DESCRIPTION	DATE
1	1ST REVISION, CW	12/23/19
2	1ST SUBMISSION, GL	11/13/19

CLAYTON COMMERCIAL GLAZING
435 E SECOND ST.
CLAYTON, NC 27520
(919)-550-0109

PROJECT: PALISADES 3 SHELL OFFICE BUILDING
 LOCATION: 3401 TRINITY ROAD
 RALEIGH, NC 27607
 (EXTERIOR CURTAINWALL SUBMITTAL)

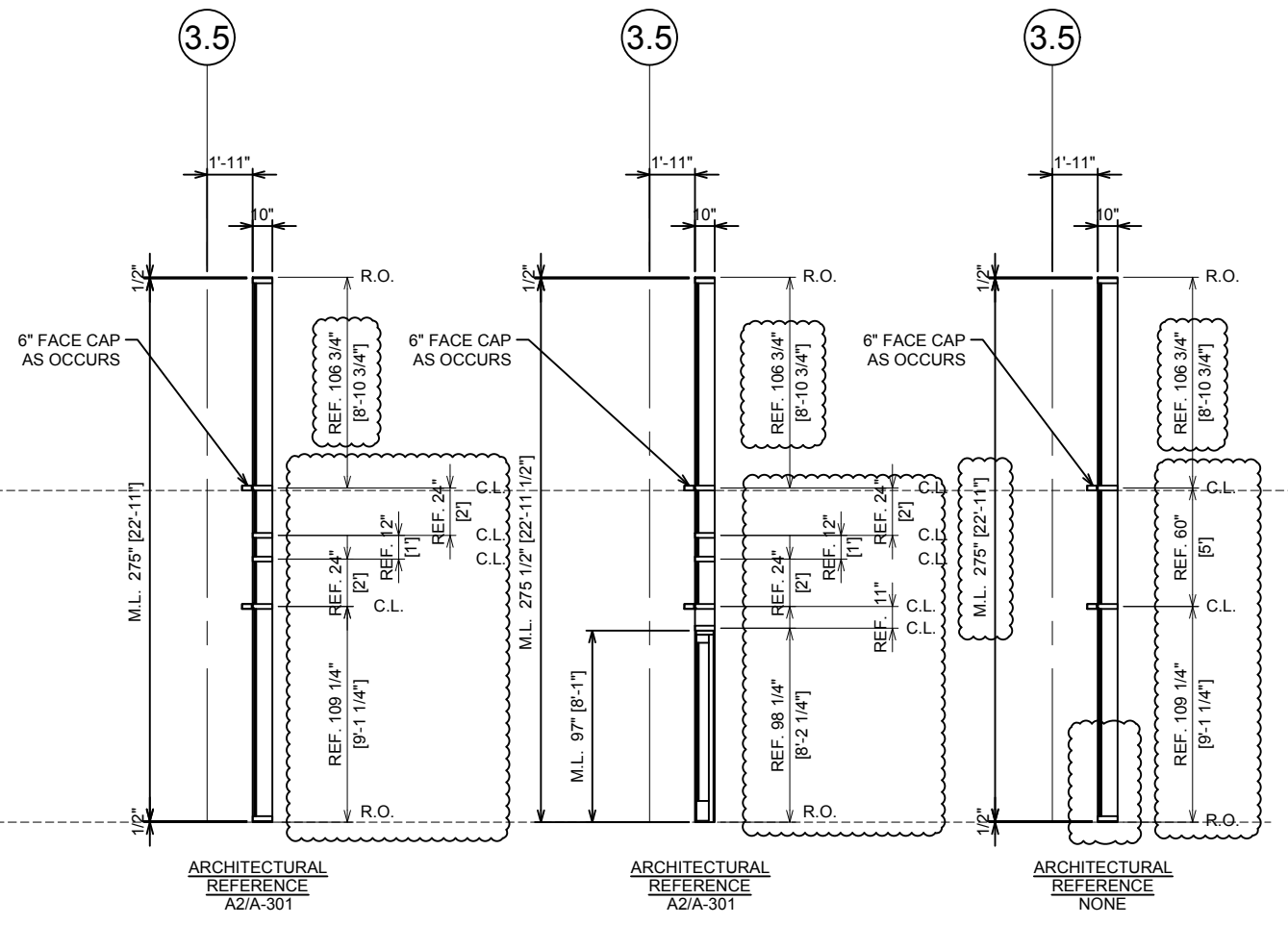
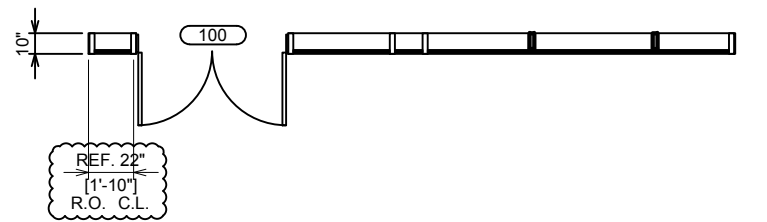
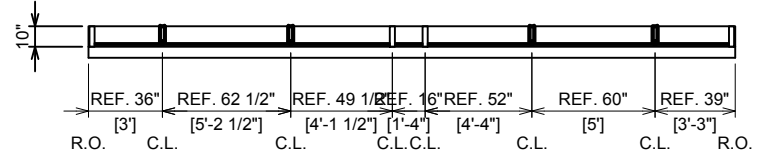
DRAWN BY:	DATE:
GL	11/13/19
CHECKED BY:	DATE:
JB	11/13/19
JOB NO.:	

2.06



ELEVATION CW 6
 SCALE: 1/8"=1'-0"
 TUBELITE 400
 2 1/2" X 10" CURTAINWALL
 1" INSULATED GLASS (FRONT SET)
 QUANTITY: 1

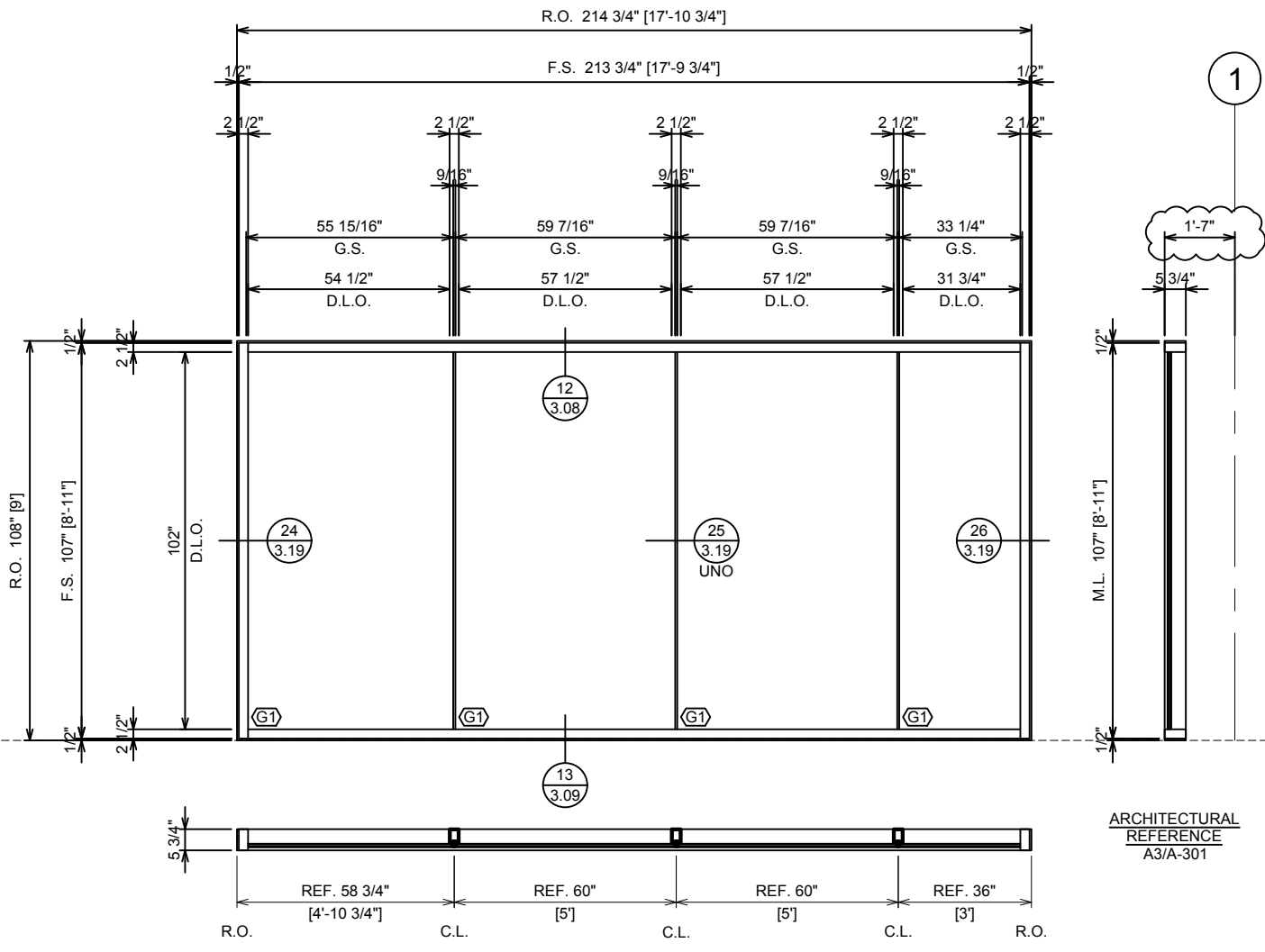
- S1 2" X 3" X 1/4" X 12'-0" LENGTH TUBE STEEL CENTERED IN MULLION
- S2 C6 X 8.2# CHANNEL STEEL 12'-0" LENGTH CENTERED IN MULLION



ERECTOR / G.C. NOTE:
 PLEASE FIELD VERIFY ALL DIMENSIONS



ELEVATION CW
7
 SCALE: 1/4"=1'-0"
 TUBELITE 400IG
 2 1/2" X 5 3/4" CURTAINWALL
 1" INSULATED GLASS (FRONT SET)
 QUANTITY: 1



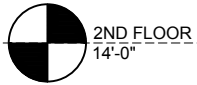
NO	DESCRIPTION	DATE
1	1ST REVISION, CW	12/23/19
2	1ST SUBMISSION, GL	11/13/19

CLAYTON COMMERCIAL GLAZING
 435 E SECOND ST.
 CLAYTON, NC 27520
 (919)-550-0109

PROJECT: PALISADES 3 SHELL OFFICE BUILDING
 LOCATION: 3401 TRINITY ROAD
 RALEIGH, NC 27607
 (EXTERIOR CURTAINWALL SUBMITTAL)

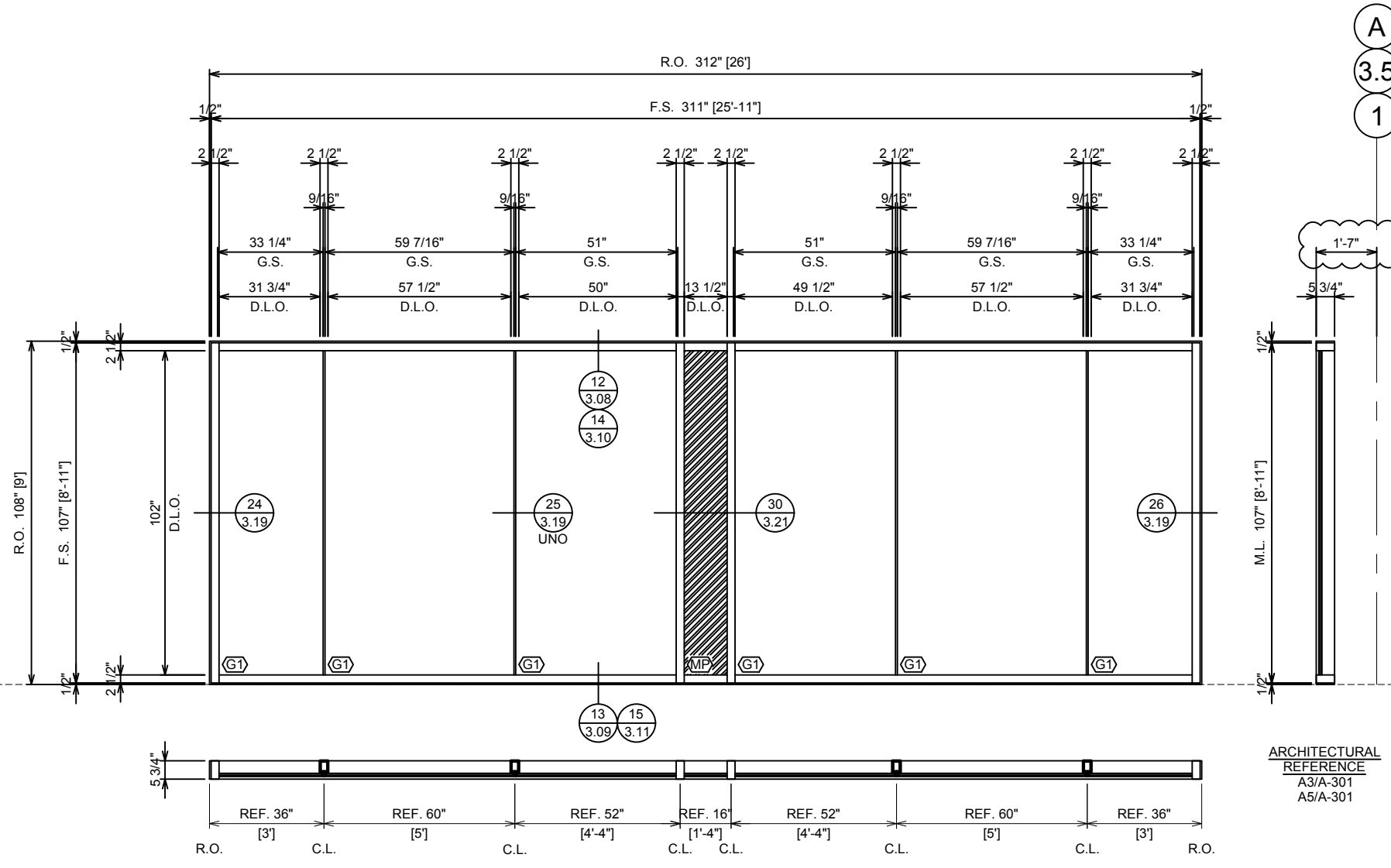
DRAWN BY:	GL	DATE:	11/13/19
CHECKED BY:	JB	DATE:	11/13/19

ERECTOR / G.C. NOTE:
 PLEASE FIELD VERIFY ALL DIMENSIONS



ELEVATION

SCALE: 1/4"=1'-0"
 TUBELITE 400IG
 2 1/2" X 5 3/4" CURTAINWALL
 1" INSULATED GLASS (FRONT SET)
 QUANTITY: 11



ARCHITECTURAL
 REFERENCE
 A3/A-301
 A5/A-301

ERECTOR / G.C. NOTE:
 PLEASE FIELD VERIFY ALL DIMENSIONS

NO	DESCRIPTION	DATE
1	1ST SUBMISSION, GL	11/13/19
2	1ST REVISION, CW	12/23/19

CLAYTON COMMERCIAL GLAZING
 435 E SECOND ST.
 CLAYTON, NC 27520
 (919)-550-0109

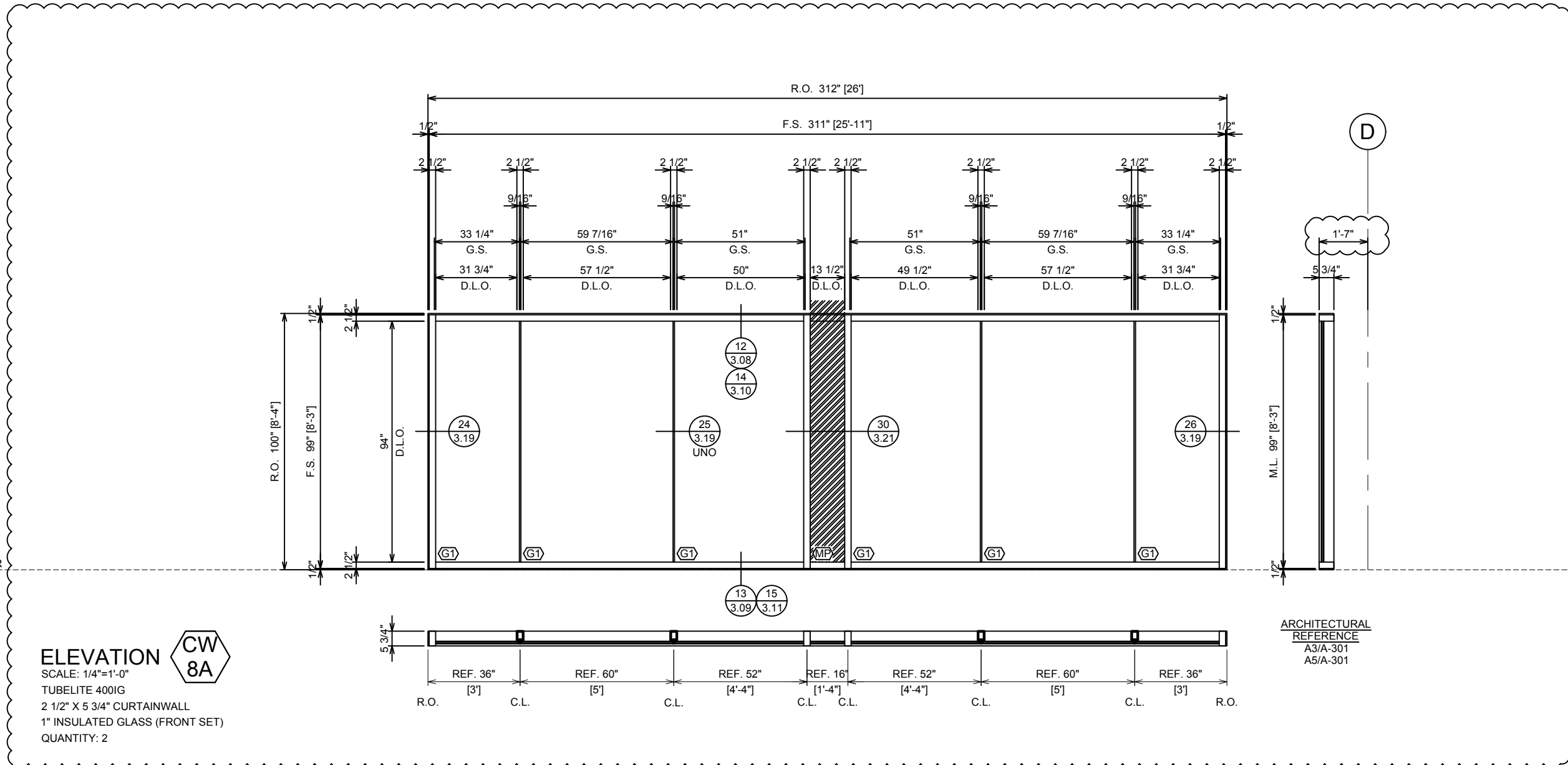
PROJECT: PALISADES 3 SHELL OFFICE BUILDING
 LOCATION: 3401 TRINITY ROAD
 RALEIGH, NC 27607
 (EXTERIOR CURTAINWALL SUBMITTAL)

DRAWN BY:	GL	DATE:	11/13/19
CHECKED BY:	JB	DATE:	11/13/19

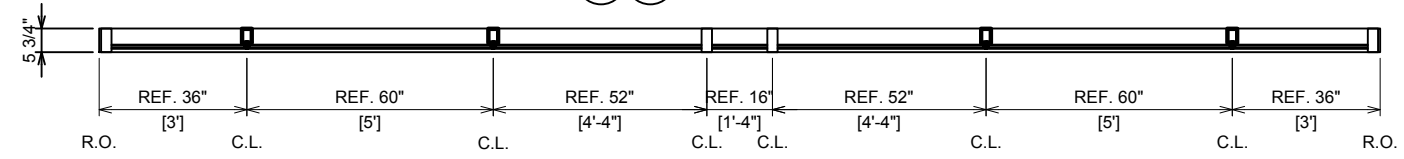
JOB NO.:
 2.08



2ND FLOOR
14'-0"



ELEVATION CW 8A
 SCALE: 1/4"=1'-0"
 TUBELITE 400IG
 2 1/2" X 5 3/4" CURTAINWALL
 1" INSULATED GLASS (FRONT SET)
 QUANTITY: 2



ARCHITECTURAL
REFERENCE
A3/A-301
A5/A-301

NO	DESCRIPTION	DATE
1	1ST REVISION, CW	12/23/19
2	1ST SUBMISSION, GL	11/13/19

CLAYTON COMMERCIAL GLAZING
 435 E SECOND ST.
 CLAYTON, NC 27520
 (919)-550-0109

PROJECT: PALISADES 3 SHELL OFFICE BUILDING
 LOCATION: 3401 TRINITY ROAD
 RALEIGH, NC 27607
 (EXTERIOR CURTAINWALL SUBMITTAL)

DRAWN BY:	GL	DATE:	11/13/19
CHECKED BY:	JB	DATE:	11/13/19
JOB NO.:			

ERECTOR / G.C. NOTE:
 PLEASE FIELD VERIFY ALL DIMENSIONS

2.08A

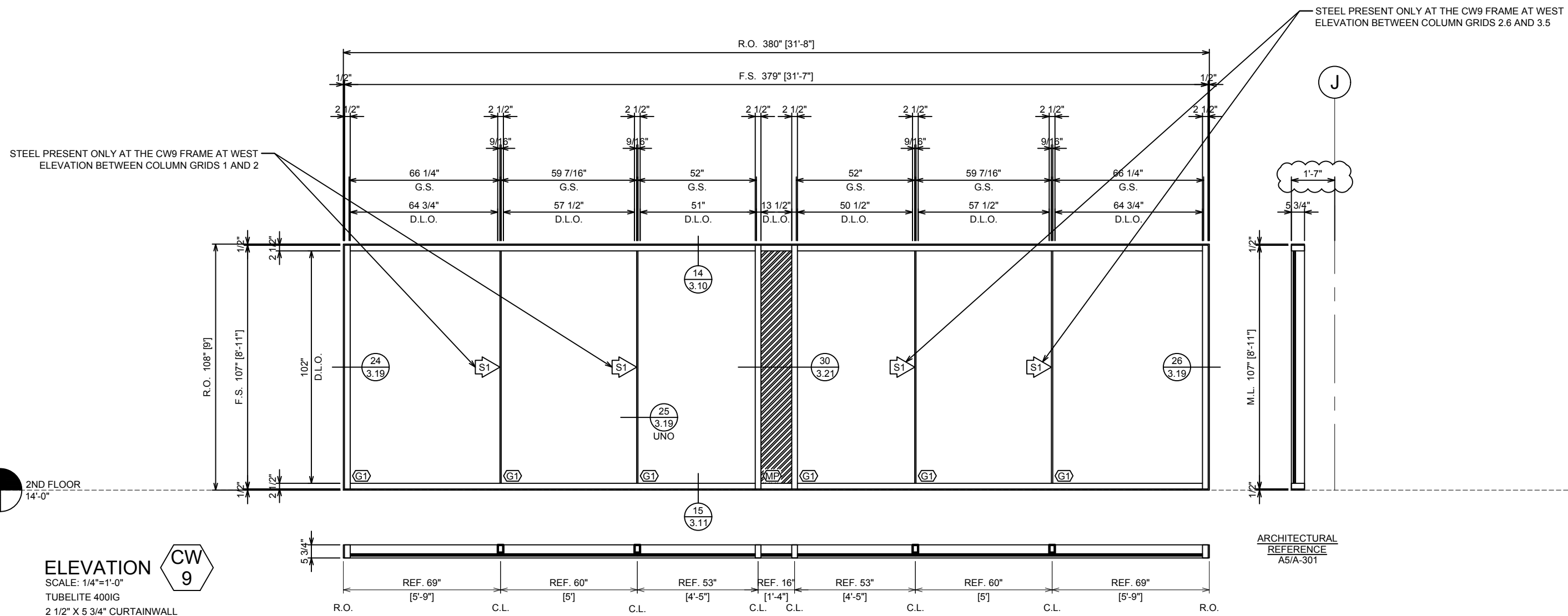
NO	DESCRIPTION	DATE
1	1ST REVISION, CW	12/23/19
2	1ST SUBMISSION, GL	11/13/19

CLAYTON COMMERCIAL GLAZING
 435 E SECOND ST.
 CLAYTON, NC 27520
 (919)-550-0109

PROJECT: PALISADES 3 SHELL OFFICE BUILDING
 LOCATION: 3401 TRINITY ROAD
 RALEIGH, NC 27607
 (EXTERIOR CURTAINWALL SUBMITTAL)

DRAWN BY:	DATE:
GL	11/13/19
CHECKED BY:	DATE:
JB	11/13/19
JOB NO.:	

2.09

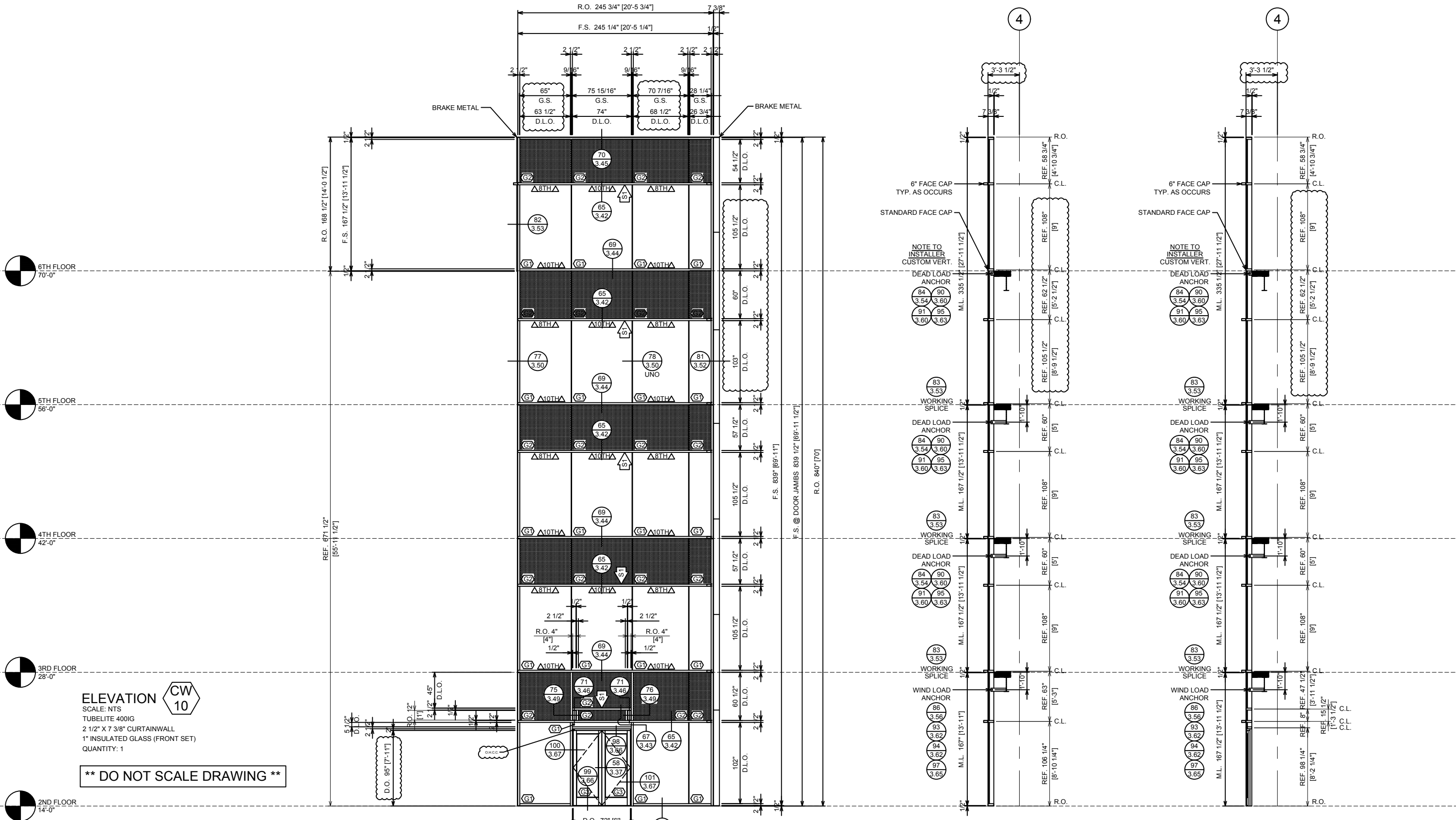


ELEVATION CW 9
 SCALE: 1/4"=1'-0"
 TUBELITE 400IG
 2 1/2" X 5 3/4" CURTAINWALL
 1" INSULATED GLASS (FRONT SET)
 QUANTITY: 3

S1 2" X 3" X 1/4" X 3' LONG TUBE STEEL CENTERED IN MULLION

ARCHITECTURAL REFERENCE A5/A-301

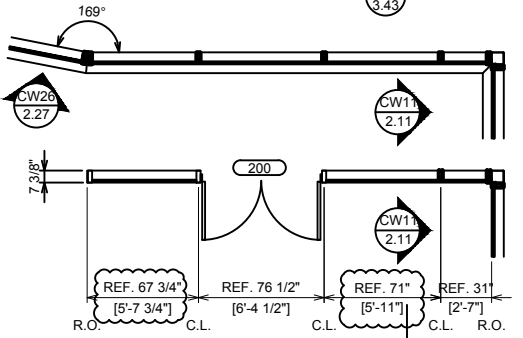
ERECTOR / G.C. NOTE:
 PLEASE FIELD VERIFY ALL DIMENSIONS



ELEVATION CW 10
 SCALE: NTS
 TUBELITE 400IG
 2 1/2" X 7 3/8" CURTAINWALL
 1" INSULATED GLASS (FRONT SET)
 QUANTITY: 1

**** DO NOT SCALE DRAWING ****

1" X 3" X 11 GA. X 4' LONG TUBE STEEL CENTERED IN HORIZONTAL
 LOCATE SETTING BLOCKS AT 8TH POINTS
 LOCATE SETTING BLOCKS AT 10TH POINTS

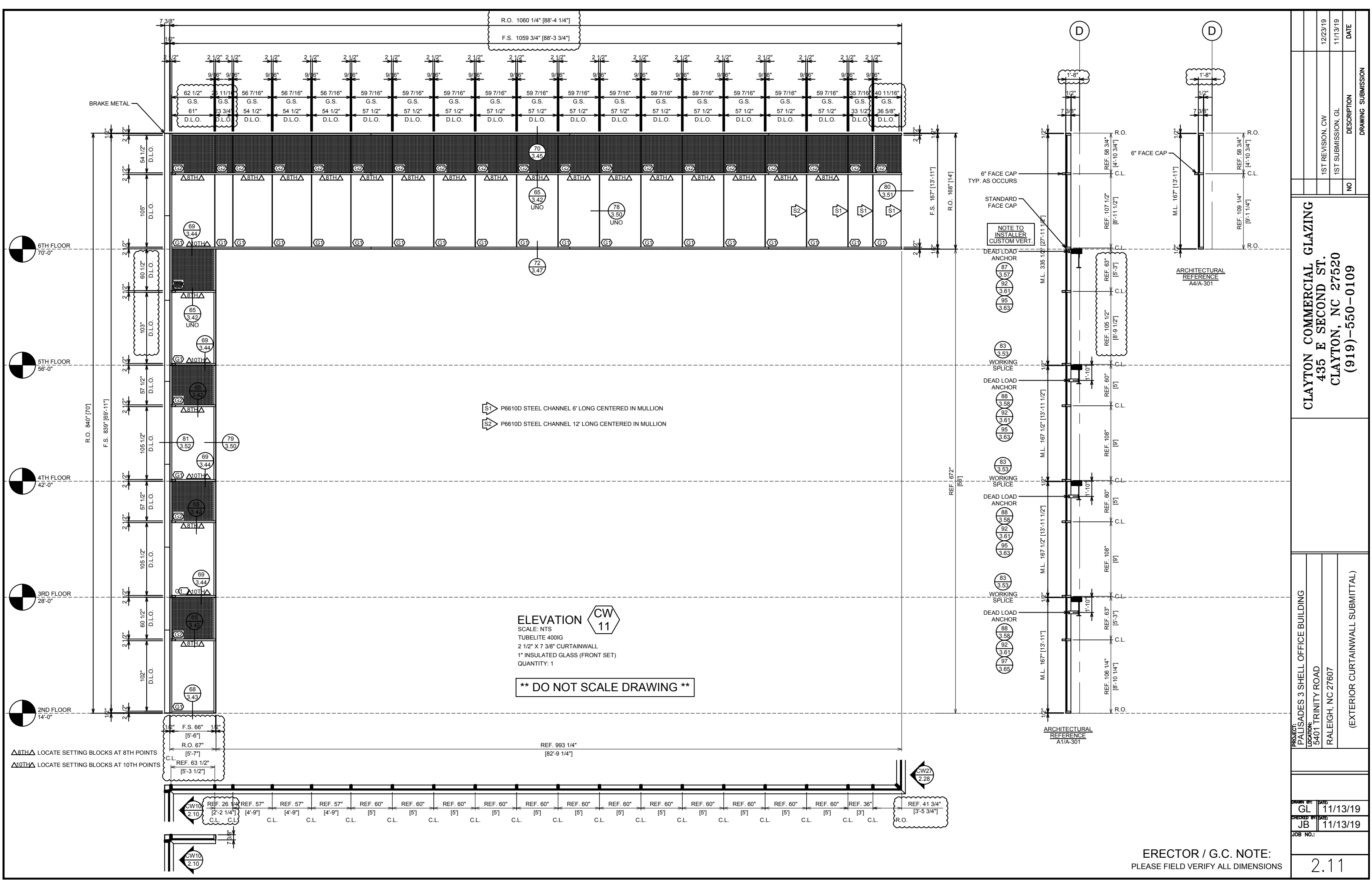


NOTE TO INSTALLER
 CUSTOM VERT.

NOTE TO INSTALLER
 CUSTOM VERT.

PROJECT: PALISADES 3 SHELL OFFICE BUILDING		DRAWN BY: GL		DATE: 11/13/19	
LOCATION: 3401 TRINITY ROAD		CHECKED BY: JB		DATE: 11/13/19	
RALEIGH, NC 27607		JOB NO.:		2.10	
CLAYTON COMMERCIAL GLAZING 435 E SECOND ST. CLAYTON, NC 27520 (919)-550-0109		1ST REVISION, CW		12/23/19	
		1ST SUBMISSION, GL		11/13/19	
		NO		DATE	
EXTERIOR CURTAINWALL SUBMITTAL)		DESCRIPTION		DRAWING SUBMISSION	

ERECTOR / G.C. NOTE:
 PLEASE FIELD VERIFY ALL DIMENSIONS



R.O. 1060 1/4" [88'-4 1/4"]
 F.S. 1059 3/4" [88'-3 3/4"]

6TH FLOOR
70'-0"

5TH FLOOR
56'-0"

4TH FLOOR
42'-0"

3RD FLOOR
28'-0"

2ND FLOOR
14'-0"

S1 P6610D STEEL CHANNEL 6' LONG CENTERED IN MULLION
 S2 P6610D STEEL CHANNEL 12' LONG CENTERED IN MULLION

ELEVATION CW 11
 SCALE: NTS
 TUBELITE 400IG
 2 1/2" X 7 3/8" CURTAINWALL
 1" INSULATED GLASS (FRONT SET)
 QUANTITY: 1

**** DO NOT SCALE DRAWING ****

NOTE TO INSTALLER
 CUSTOM VERT.

- 87 (3.67) DEAD LOAD ANCHOR
- 92 (3.61) WORKING SPLICE
- 95 (3.63) DEAD LOAD ANCHOR
- 83 (3.53) WORKING SPLICE
- 88 (3.58) DEAD LOAD ANCHOR
- 92 (3.61) WORKING SPLICE
- 95 (3.63) DEAD LOAD ANCHOR
- 83 (3.53) WORKING SPLICE
- 88 (3.58) DEAD LOAD ANCHOR
- 92 (3.61) WORKING SPLICE
- 97 (3.65) DEAD LOAD ANCHOR

6" FACE CAP
 TYP. AS OCCURS

STANDARD
 FACE CAP

ARCHITECTURAL
 REFERENCE
 A4/A-301

△8TH△ LOCATE SETTING BLOCKS AT 8TH POINTS
 △10TH△ LOCATE SETTING BLOCKS AT 10TH POINTS

NO	DESCRIPTION	DATE
1	1ST REVISION, CW	12/23/19
2	1ST SUBMISSION, GL	11/13/19

CLAYTON COMMERCIAL GLAZING
 435 E SECOND ST.
 CLAYTON, NC 27520
 (919)-550-0109

PROJECT: PALISADES 3 SHELL OFFICE BUILDING
 LOCATION: 3401 TRINITY ROAD
 RALEIGH, NC 27607

(EXTERIOR CURTAINWALL SUBMITTAL)

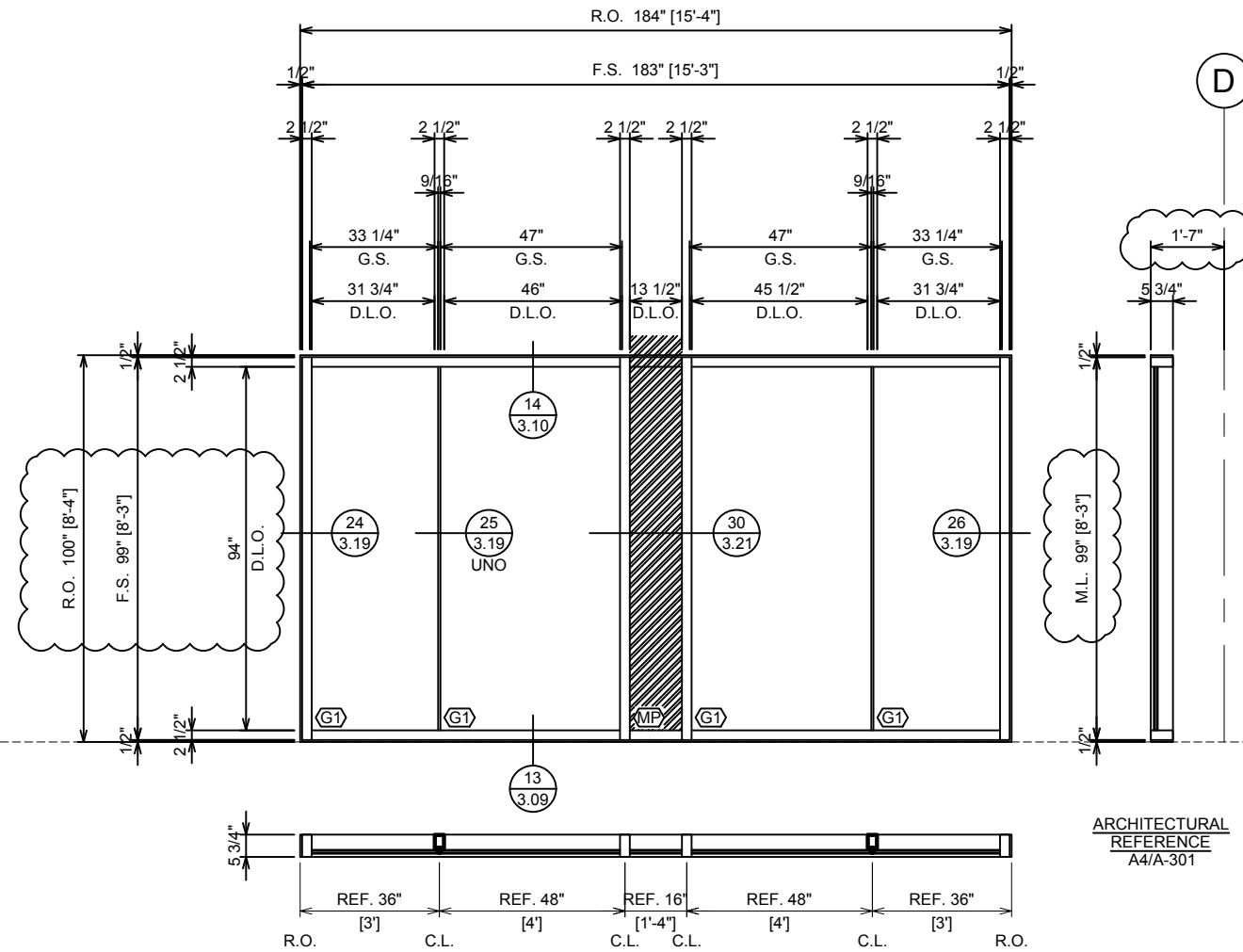
DRAWN BY:	GL	DATE:	11/13/19
CHECKED BY:	JB	DATE:	11/13/19
JOB NO.:	2.11		

ERECTOR / G.C. NOTE:
 PLEASE FIELD VERIFY ALL DIMENSIONS



ELEVATION

SCALE: 1/4"=1'-0"
 TUBELITE 400IG
 2 1/2" X 5 3/4" CURTAINWALL
 1" INSULATED GLASS (FRONT SET)
 QUANTITY: 2



ARCHITECTURAL
 REFERENCE
 A4/A-301

NO	DESCRIPTION	DATE
1	1ST REVISION, CW	12/23/19
2	1ST SUBMISSION, GL	11/13/19

CLAYTON COMMERCIAL GLAZING
 435 E SECOND ST.
 CLAYTON, NC 27520
 (919)-550-0109

PROJECT:	PALISADES 3 SHELL OFFICE BUILDING
LOCATION:	3401 TRINITY ROAD
	RALEIGH, NC 27607
	(EXTERIOR CURTAINWALL SUBMITTAL)

DRAWN BY:	GL	DATE:	11/13/19
CHECKED BY:	JB	DATE:	11/13/19
JOB NO.:			

ERECTOR / G.C. NOTE:
 PLEASE FIELD VERIFY ALL DIMENSIONS

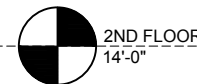
NO	DESCRIPTION	DATE
1	1ST REVISION, CW	12/23/19
2	1ST SUBMISSION, GL	11/13/19

CLAYTON COMMERCIAL GLAZING
 435 E SECOND ST.
 CLAYTON, NC 27520
 (919)-550-0109

PROJECT: PALISADES 3 SHELL OFFICE BUILDING
 LOCATION: 3401 TRINITY ROAD
 RALEIGH, NC 27607
 (EXTERIOR CURTAINWALL SUBMITTAL)

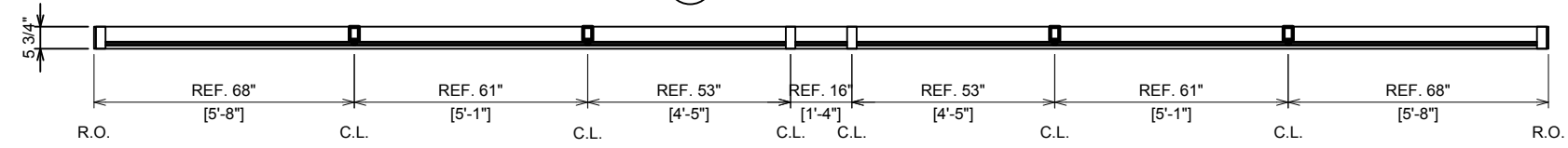
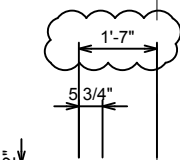
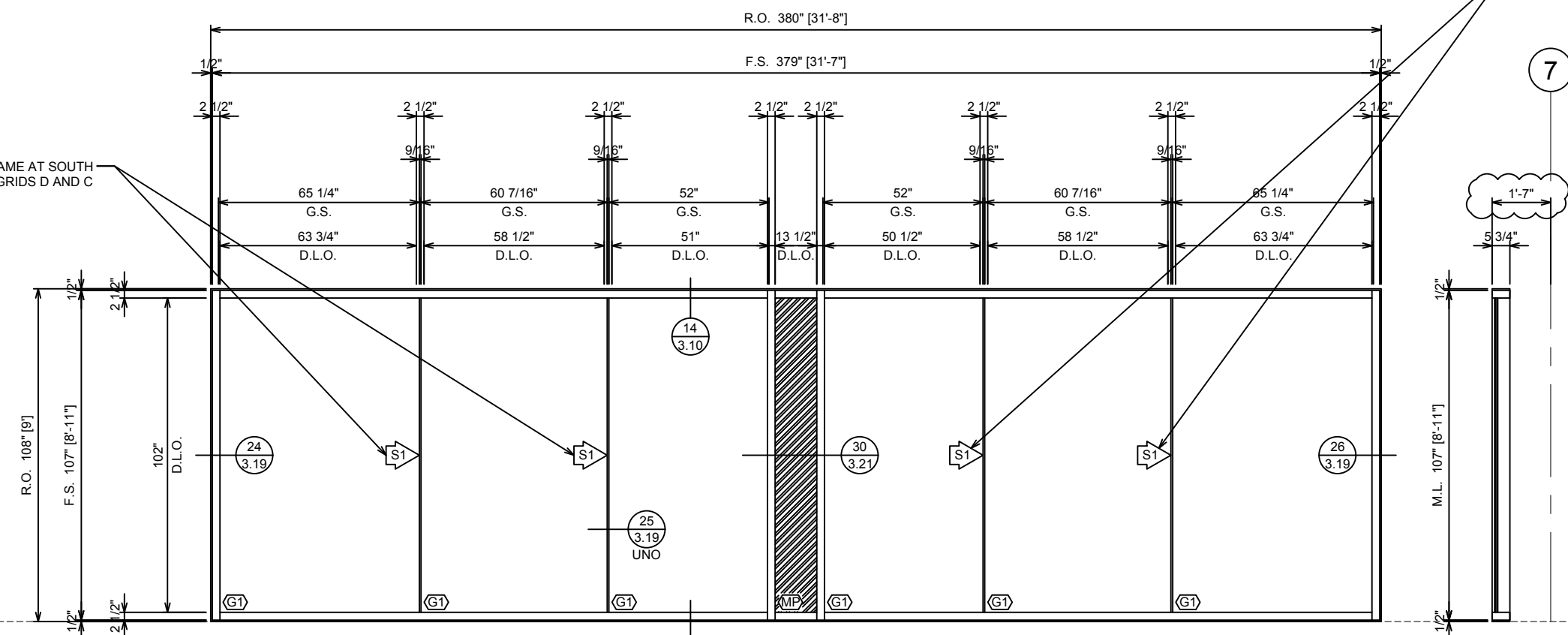
DRAWN BY:	DATE:
GL	11/13/19
CHECKED BY:	DATE:
JB	11/13/19
JOB NO.:	

2.13



STEEL PRESENT ONLY AT THE CW13 FRAME AT SOUTH ELEVATION BETWEEN COLUMN GRIDS D AND C

STEEL PRESENT ONLY AT THE CW13 FRAME SOUTH ELEVATION BETWEEN COLUMN GRIDS B AND A



2" X 3" X 1/4" X 3' LONG TUBE STEEL CENTERED IN MULLION

ELEVATION CW 13
 SCALE: 1/4"=1'-0"
 TUBELITE 400IG
 2 1/2" X 5 3/4" CURTAINWALL
 1" INSULATED GLASS (FRONT SET)
 QUANTITY: 2

ERECTOR / G.C. NOTE:
 PLEASE FIELD VERIFY ALL DIMENSIONS

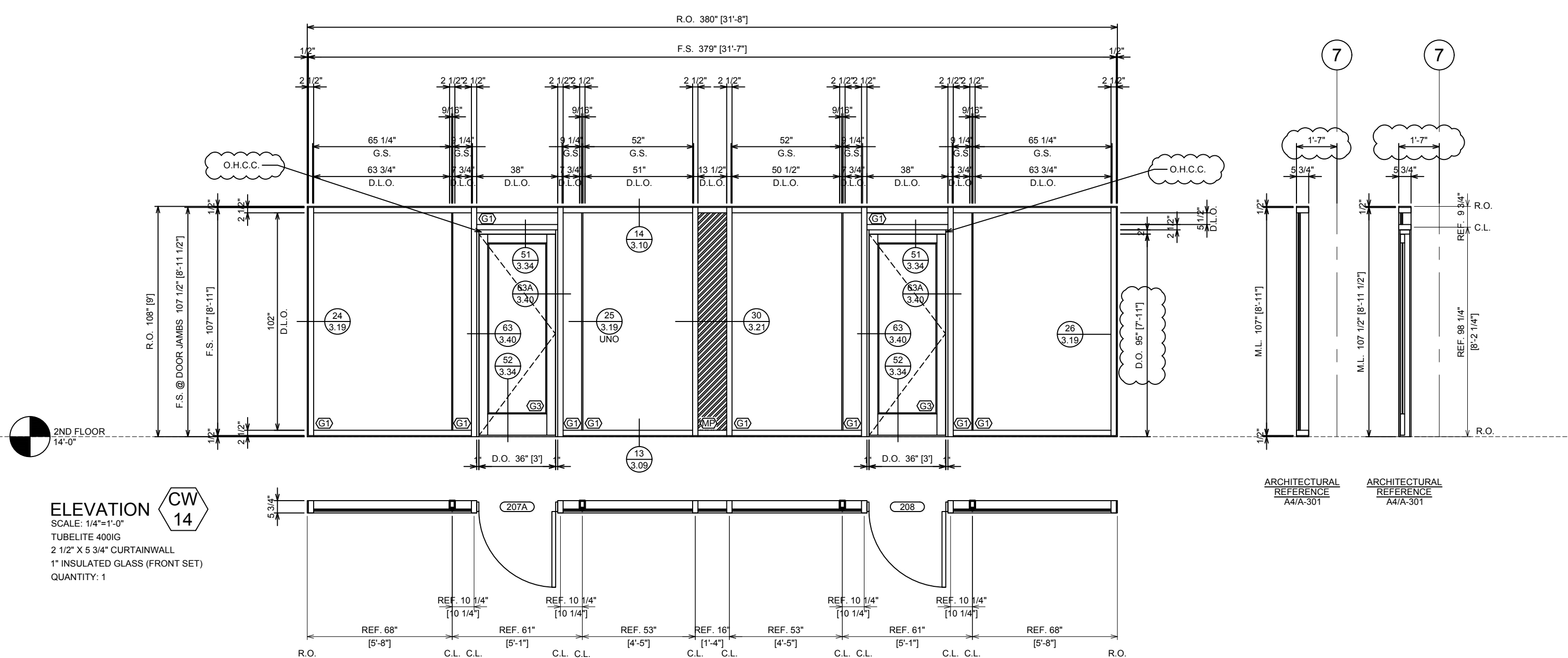
NO	DESCRIPTION	DATE
1	1ST REVISION, CW	12/23/19
2	1ST SUBMISSION, GL	11/13/19

CLAYTON COMMERCIAL GLAZING
 435 E SECOND ST.
 CLAYTON, NC 27520
 (919)-550-0109

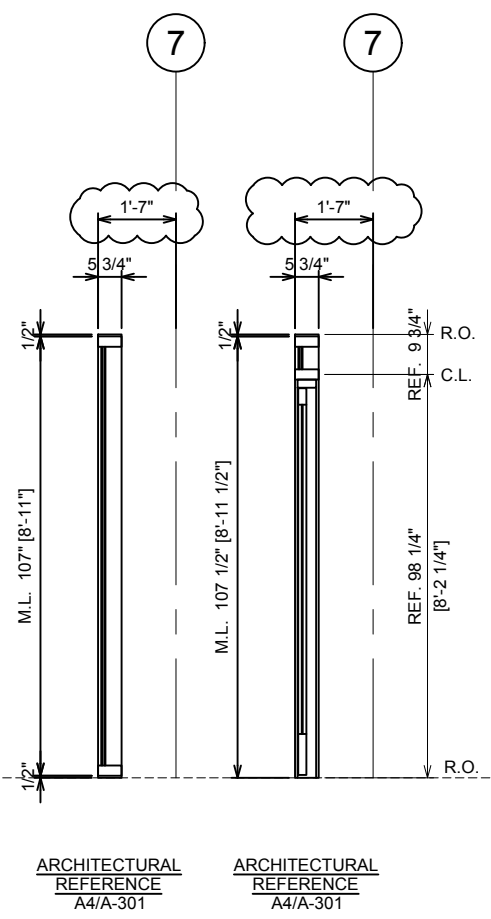
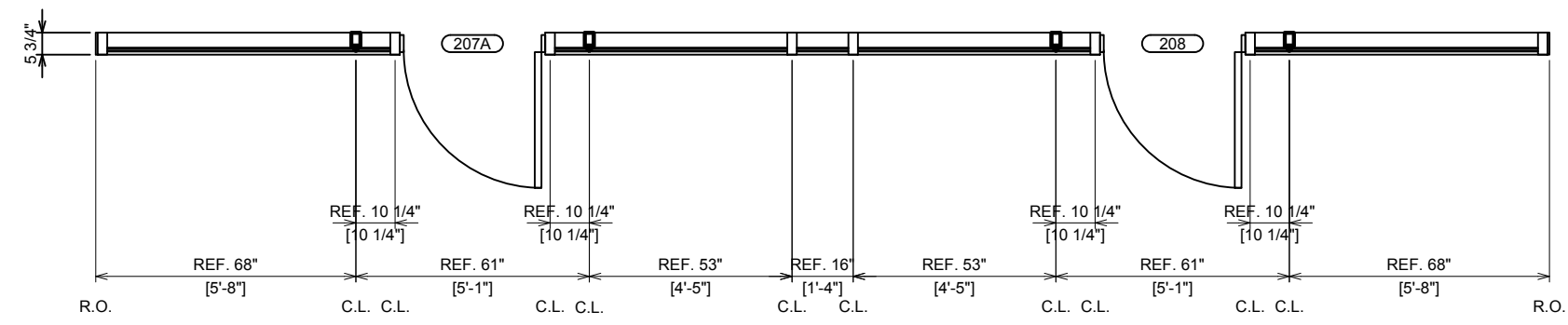
PROJECT: PALISADES 3 SHELL OFFICE BUILDING
 LOCATION: 3401 TRINITY ROAD
 RALEIGH, NC 27607
 (EXTERIOR CURTAINWALL SUBMITTAL)

DRAWN BY:	DATE:
GL	11/13/19
CHECKED BY:	DATE:
JB	11/13/19
JOB NO.:	

2.14



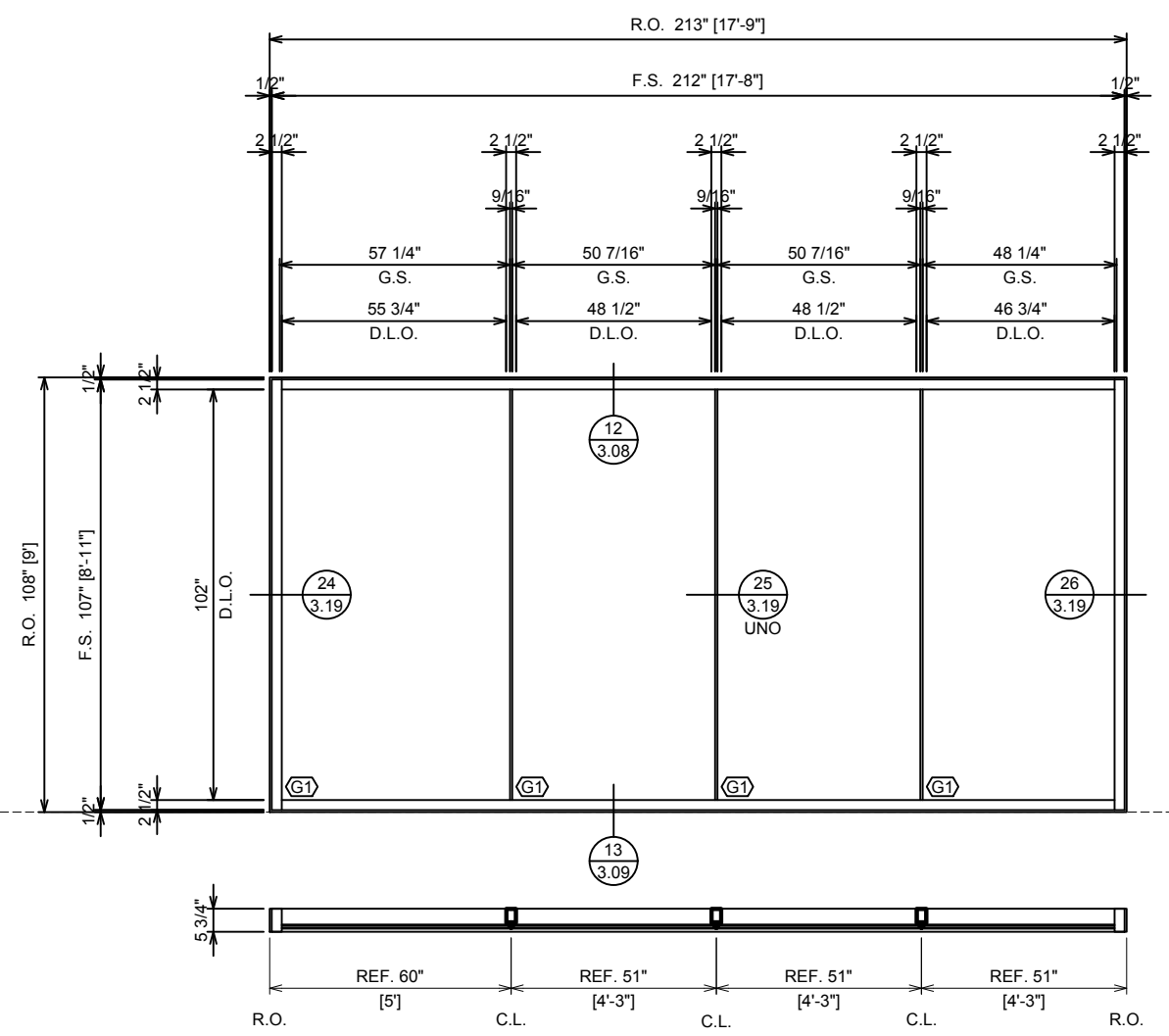
ELEVATION CW 14
 SCALE: 1/4"=1'-0"
 TUBELITE 400IG
 2 1/2" X 5 3/4" CURTAINWALL
 1" INSULATED GLASS (FRONT SET)
 QUANTITY: 1



ERECTOR / G.C. NOTE:
 PLEASE FIELD VERIFY ALL DIMENSIONS



ELEVATION CW
15
 SCALE: 1/4"=1'-0"
 TUBELITE 400IG
 2 1/2" X 5 3/4" CURTAINWALL
 1" INSULATED GLASS (FRONT SET)
 QUANTITY: 1



ARCHITECTURAL
 REFERENCE
 A3/A-301

ERECTOR / G.C. NOTE:
 PLEASE FIELD VERIFY ALL DIMENSIONS

PROJECT: PALISADES 3 SHELL OFFICE BUILDING		NO	
LOCATION: 3401 TRINITY ROAD		DESCRIPTION	
RALEIGH, NC 27607		DRAWING SUBMISSION	
CLAYTON COMMERCIAL GLAZING 435 E SECOND ST. CLAYTON, NC 27520 (919)-550-0109		DATE	
		12/23/19	
		11/13/19	
ERECTOR / G.C. NOTE: PLEASE FIELD VERIFY ALL DIMENSIONS		2.15	

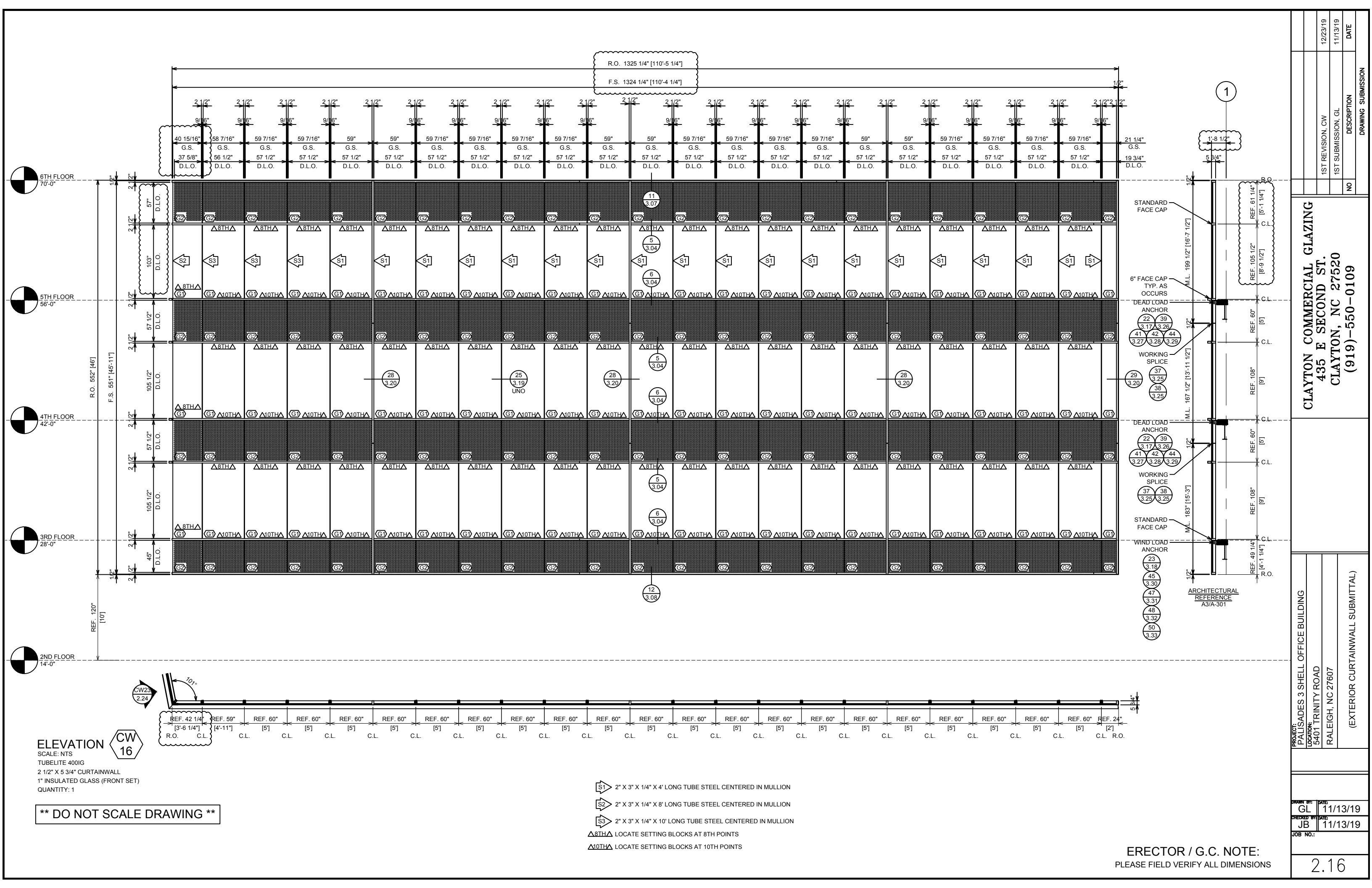
NO	DESCRIPTION	DATE
1	1ST REVISION, CW	12/23/19
2	1ST SUBMISSION, GL	11/13/19

CLAYTON COMMERCIAL GLAZING
435 E SECOND ST.
CLAYTON, NC 27520
(919)-550-0109

PROJECT: PALISADES 3 SHELL OFFICE BUILDING
 LOCATION: 5401 TRINITY ROAD
 RALEIGH, NC 27607
 (EXTERIOR CURTAINWALL SUBMITTAL)

DRAWN BY:	DATE:
GL	11/13/19
CHECKED BY:	DATE:
JB	11/13/19
JOB NO.:	

2.16



ELEVATION CW 16
 SCALE: NTS
 TUBELITE 400IG
 2 1/2" X 5 3/4" CURTAINWALL
 1" INSULATED GLASS (FRONT SET)
 QUANTITY: 1

**** DO NOT SCALE DRAWING ****

- S1 2" X 3" X 1/4" X 4' LONG TUBE STEEL CENTERED IN MULLION
- S2 2" X 3" X 1/4" X 8' LONG TUBE STEEL CENTERED IN MULLION
- S3 2" X 3" X 1/4" X 10' LONG TUBE STEEL CENTERED IN MULLION
- Δ8TH Δ LOCATE SETTING BLOCKS AT 8TH POINTS
- Δ10TH Δ LOCATE SETTING BLOCKS AT 10TH POINTS

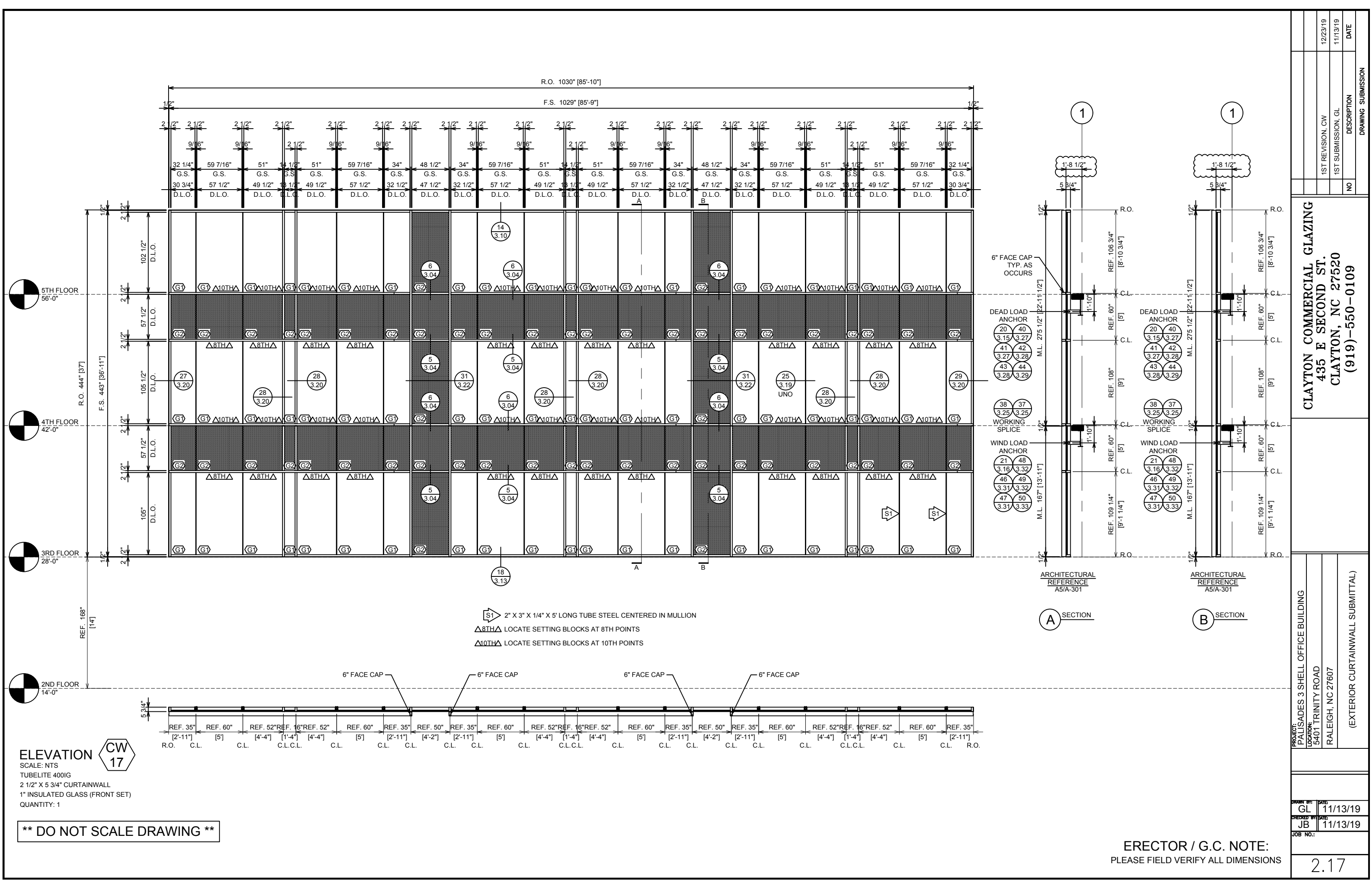
ERECTOR / G.C. NOTE:
 PLEASE FIELD VERIFY ALL DIMENSIONS

NO.	DESCRIPTION	DATE
1	1ST REVISION, CW	12/23/19
2	1ST SUBMISSION, GL	11/13/19

CLAYTON COMMERCIAL GLAZING
 435 E SECOND ST.
 CLAYTON, NC 27520
 (919) 550-0109

PROJECT: PALISADES 3 SHELL OFFICE BUILDING
 LOCATION: 5401 TRINITY ROAD
 RALEIGH, NC 27607
 (EXTERIOR CURTAINWALL SUBMITTAL)

DRAWN BY:	DATE:
GL	11/13/19
CHECKED BY:	DATE:
JB	11/13/19
JOB NO.:	



ELEVATION CW 17
 SCALE: NTS
 TUBELITE 400IG
 2 1/2" X 5 3/4" CURTAINWALL
 1" INSULATED GLASS (FRONT SET)
 QUANTITY: 1

** DO NOT SCALE DRAWING **

ERECTOR / G.C. NOTE:
 PLEASE FIELD VERIFY ALL DIMENSIONS

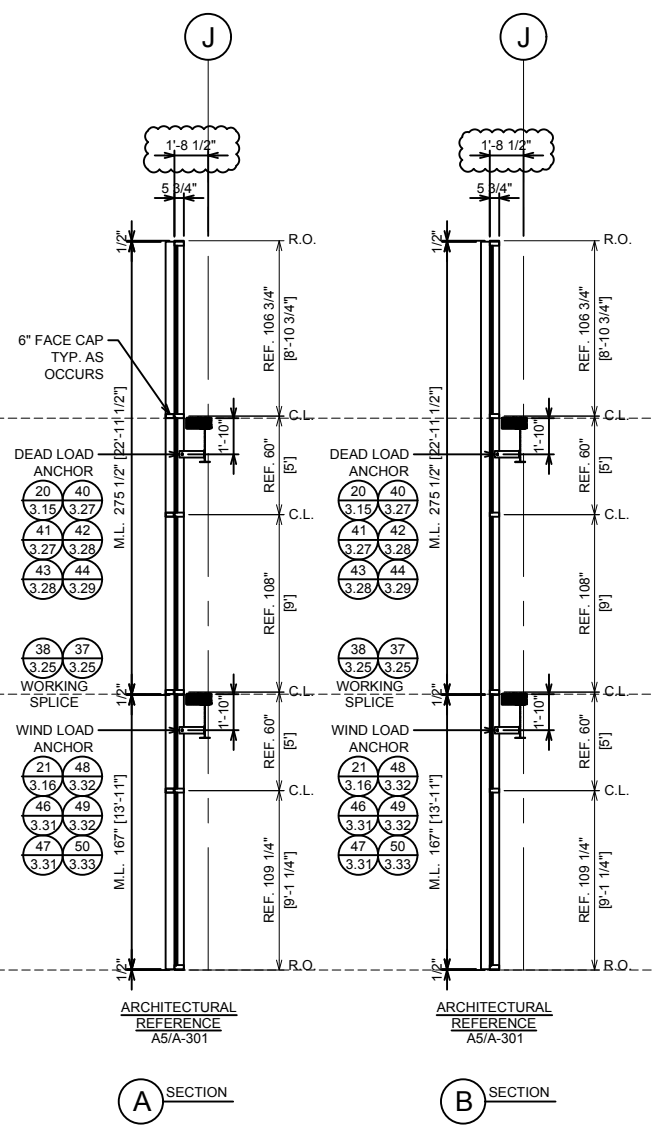
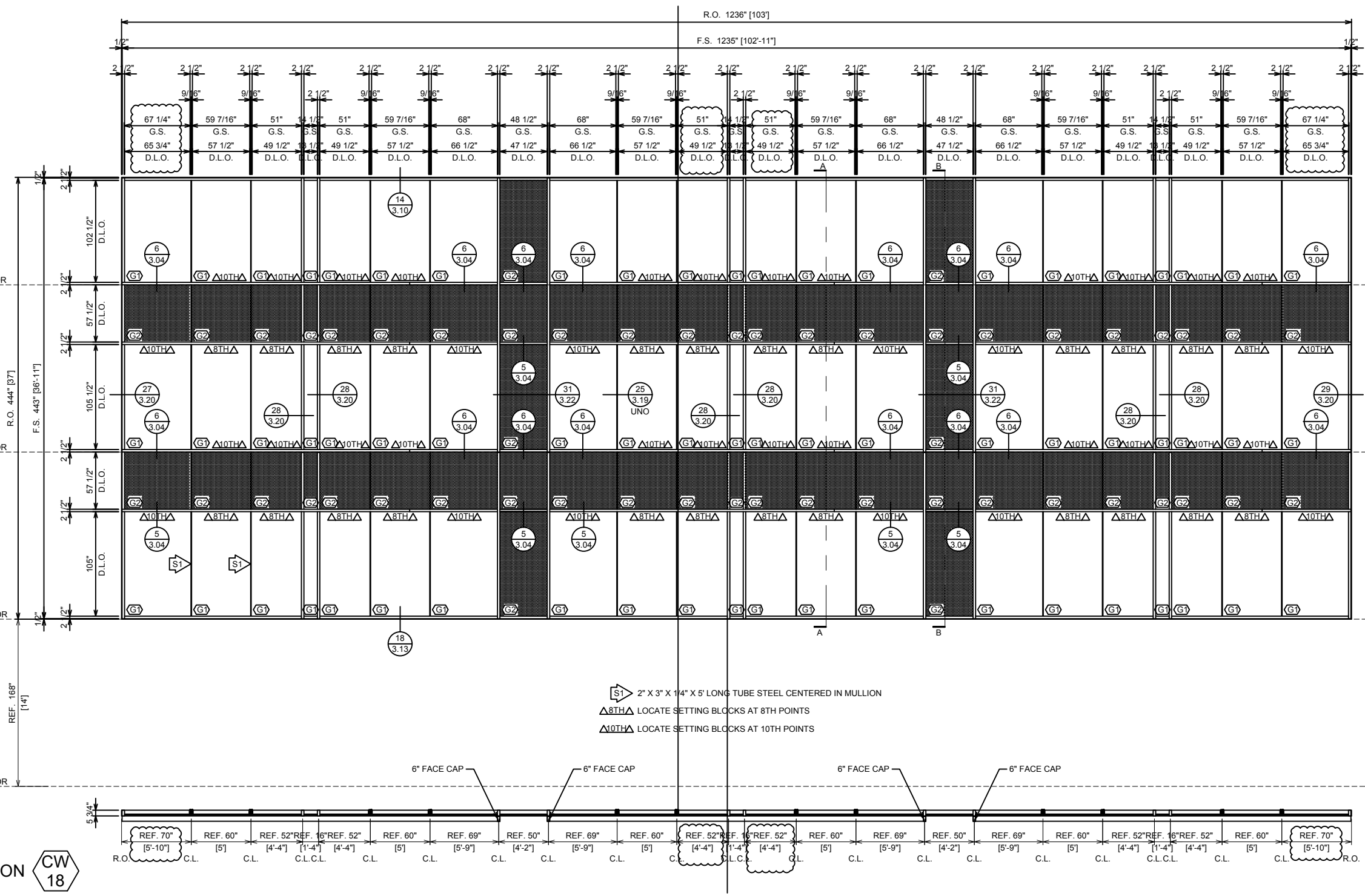
NO	DESCRIPTION	DATE
1	1ST REVISION, CW	12/23/19
2	1ST SUBMISSION, GL	11/13/19

CLAYTON COMMERCIAL GLAZING
435 E SECOND ST.
CLAYTON, NC 27520
(919)-550-0109

PROJECT: PALISADES 3 SHELL OFFICE BUILDING
 LOCATION: 3401 TRINITY ROAD
 RALEIGH, NC 27607
 (EXTERIOR CURTAINWALL SUBMITTAL)

DRAWN BY:	DATE:
GL	11/13/19
CHECKED BY:	DATE:
JB	11/13/19
JOB NO.:	

2.18



ELEVATION CW 18
 SCALE: NTS
 TUBELITE 400IG
 2 1/2" X 5 3/4" CURTAINWALL
 1" INSULATED GLASS (FRONT SET)
 QUANTITY: 1

**** DO NOT SCALE DRAWING ****

ERECTOR / G.C. NOTE:
 PLEASE FIELD VERIFY ALL DIMENSIONS

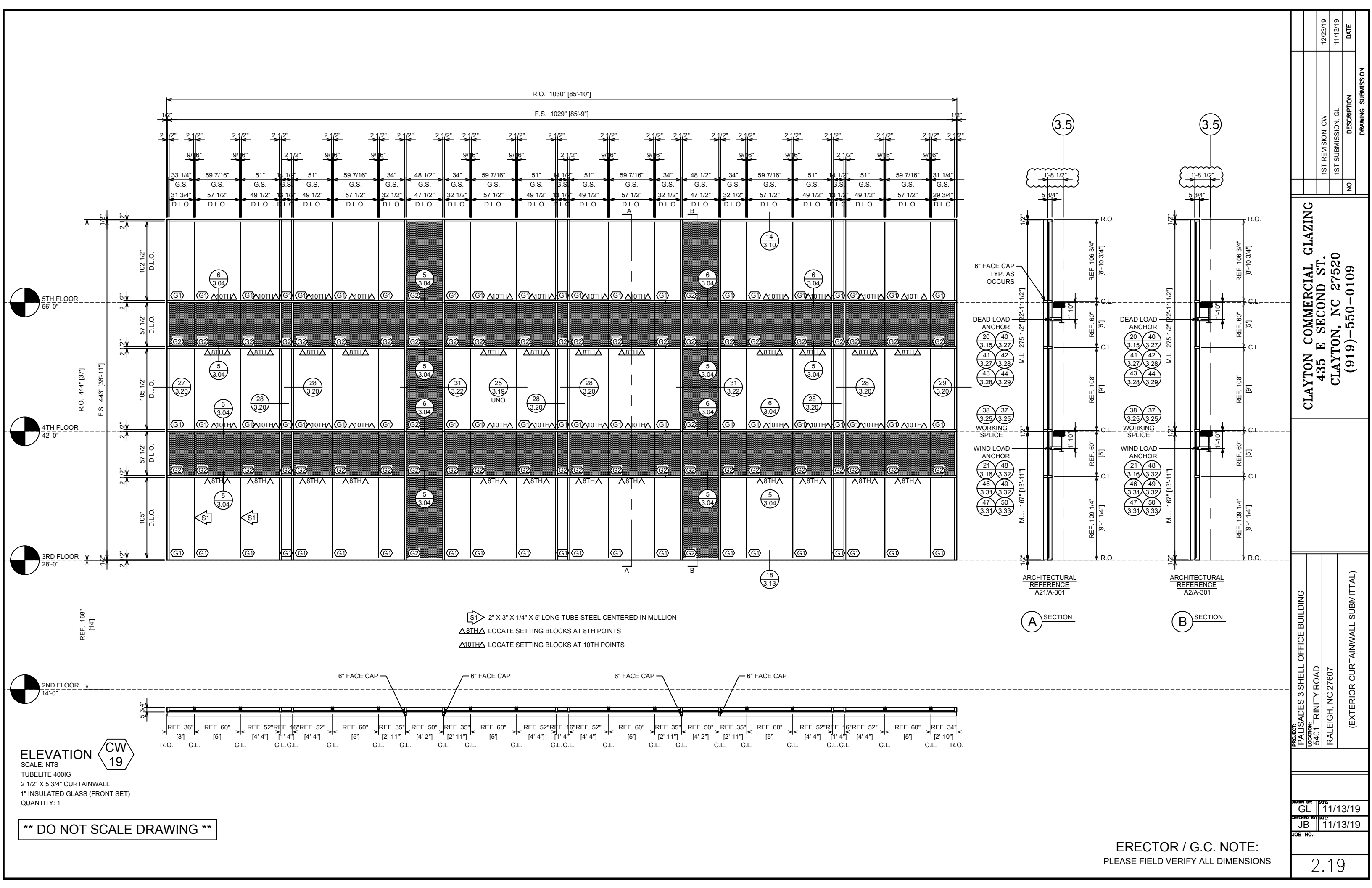
1ST REVISION, CW	12/23/19
1ST SUBMISSION, GL	11/13/19
NO	DATE
DRAWING SUBMISSION	

CLAYTON COMMERCIAL GLAZING
435 E SECOND ST.
CLAYTON, NC 27520
(919)-550-0109

PROJECT: PALISADES 3 SHELL OFFICE BUILDING
 LOCATION: 3401 TRINITY ROAD
 RALEIGH, NC 27607
 (EXTERIOR CURTAINWALL SUBMITTAL)

DRAWN BY: GL	DATE: 11/13/19
CHECKED BY: JB	DATE: 11/13/19
JOB NO.:	

2.19



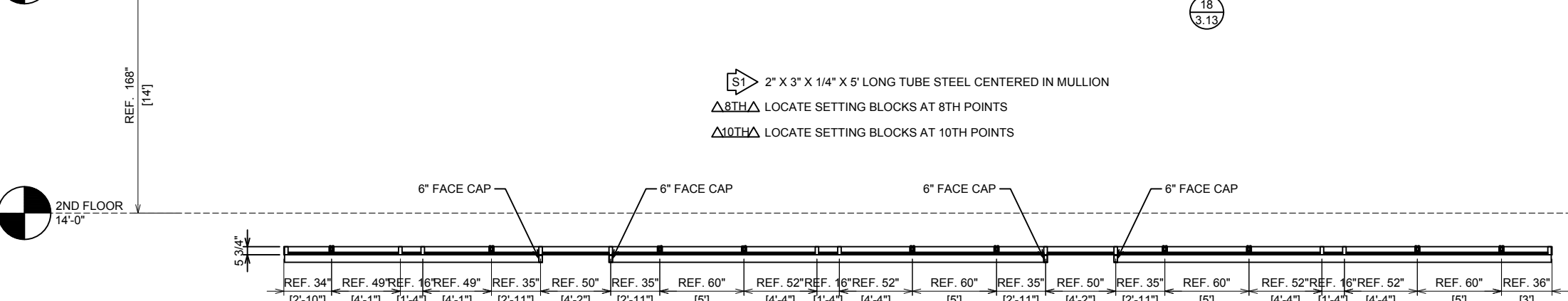
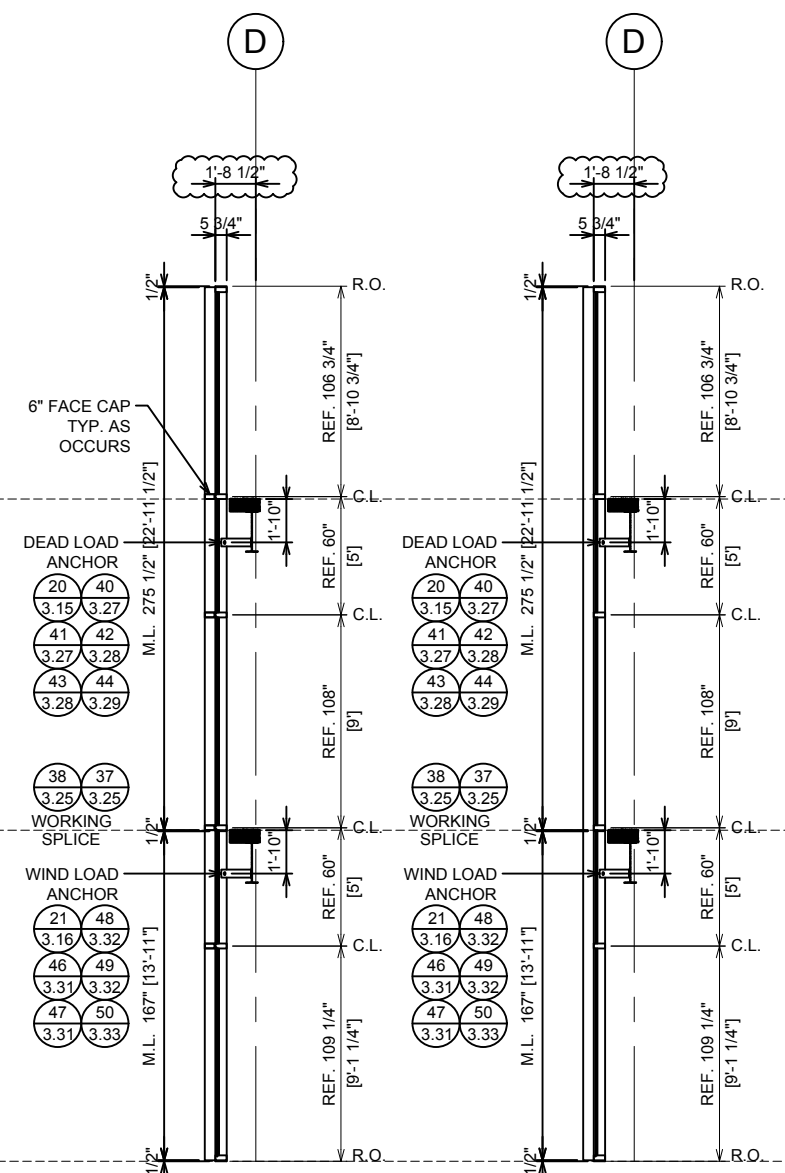
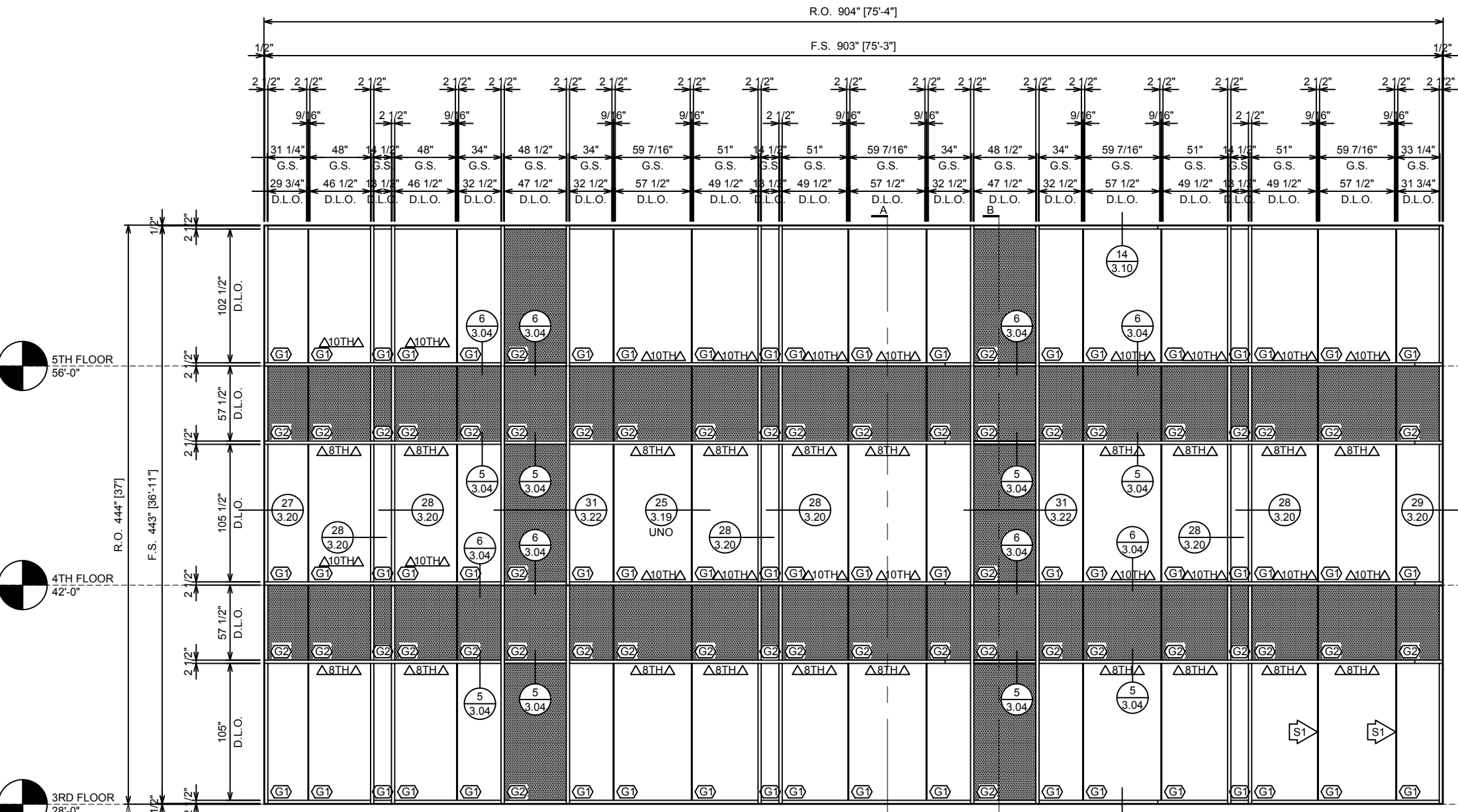
NO	DESCRIPTION	DATE
1	1ST REVISION, CW	12/23/19
2	1ST SUBMISSION, GL	11/13/19

CLAYTON COMMERCIAL GLAZING
435 E SECOND ST.
CLAYTON, NC 27520
(919)-550-0109

PROJECT: PALISADES 3 SHELL OFFICE BUILDING
 LOCATION: 3401 TRINITY ROAD
 RALEIGH, NC 27607
 (EXTERIOR CURTAINWALL SUBMITTAL)

DRAWN BY:	GL	DATE:	11/13/19
CHECKED BY:	JB	DATE:	11/13/19
JOB NO.:			

2.20



ELEVATION CW 20
 SCALE: NTS
 TUBELITE 400IG
 2 1/2" X 5 3/4" CURTAINWALL
 1" INSULATED GLASS (FRONT SET)
 QUANTITY: 1

**** DO NOT SCALE DRAWING ****

ERECTOR / G.C. NOTE:
 PLEASE FIELD VERIFY ALL DIMENSIONS

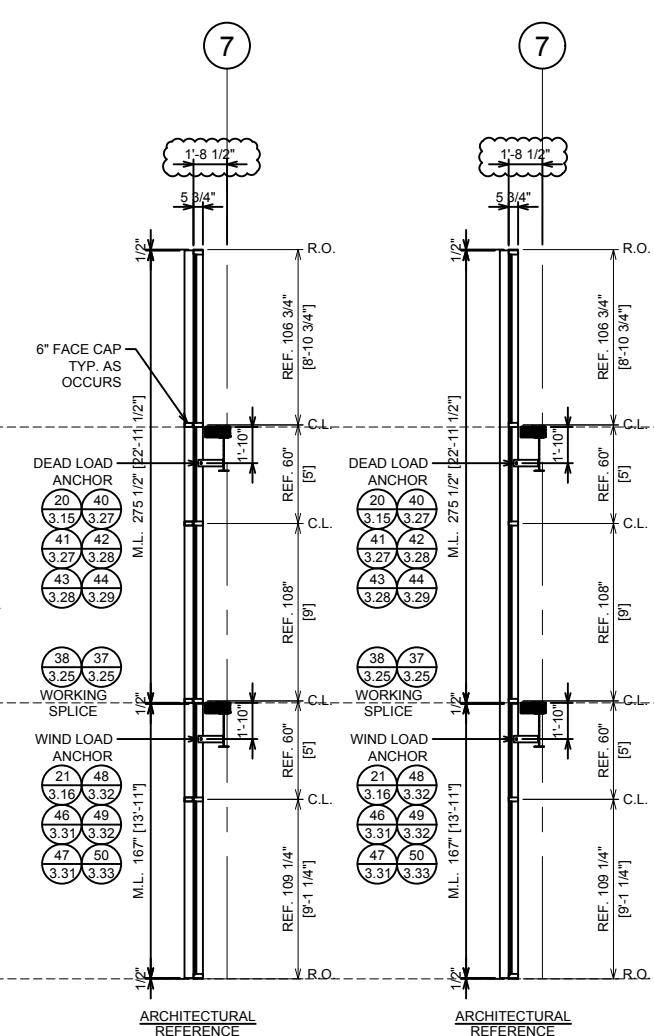
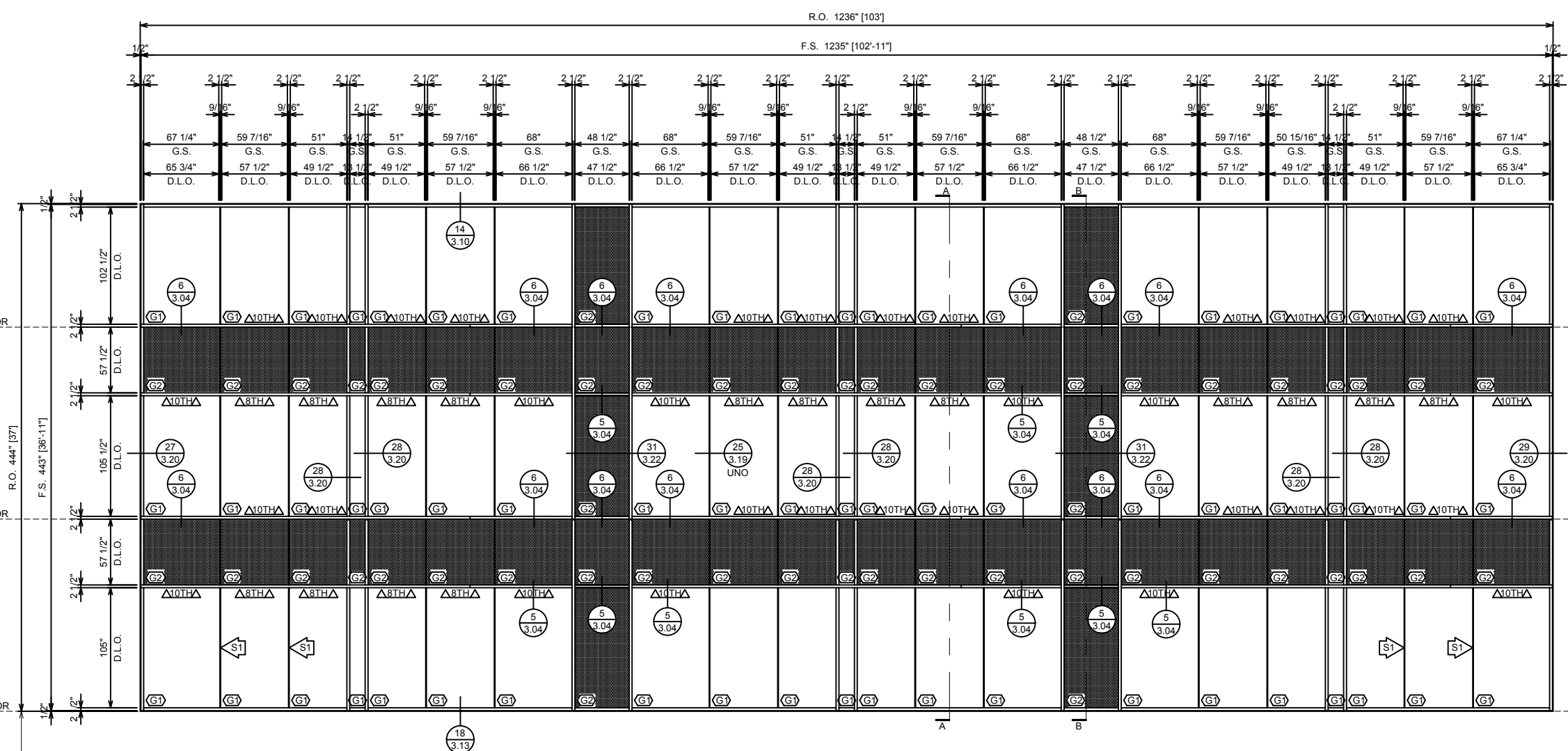
NO	DESCRIPTION	DATE
1	1ST REVISION, CW	12/23/19
2	1ST SUBMISSION, GL	11/13/19

CLAYTON COMMERCIAL GLAZING
435 E SECOND ST.
CLAYTON, NC 27520
(919)-550-0109

PROJECT: PALISADES 3 SHELL OFFICE BUILDING
 LOCATION: 3401 TRINITY ROAD
 RALEIGH, NC 27607
 (EXTERIOR CURTAINWALL SUBMITTAL)

DRAWN BY:	DATE:
GL	11/13/19
CHECKED BY:	DATE:
JB	11/13/19
JOB NO.:	

2.21



ELEVATION CW 21
 SCALE: NTS
 TUBELITE 400IG
 2 1/2" X 5 3/4" CURTAINWALL
 1" INSULATED GLASS (FRONT SET)
 QUANTITY: 1

**** DO NOT SCALE DRAWING ****

ERECTOR / G.C. NOTE:
 PLEASE FIELD VERIFY ALL DIMENSIONS

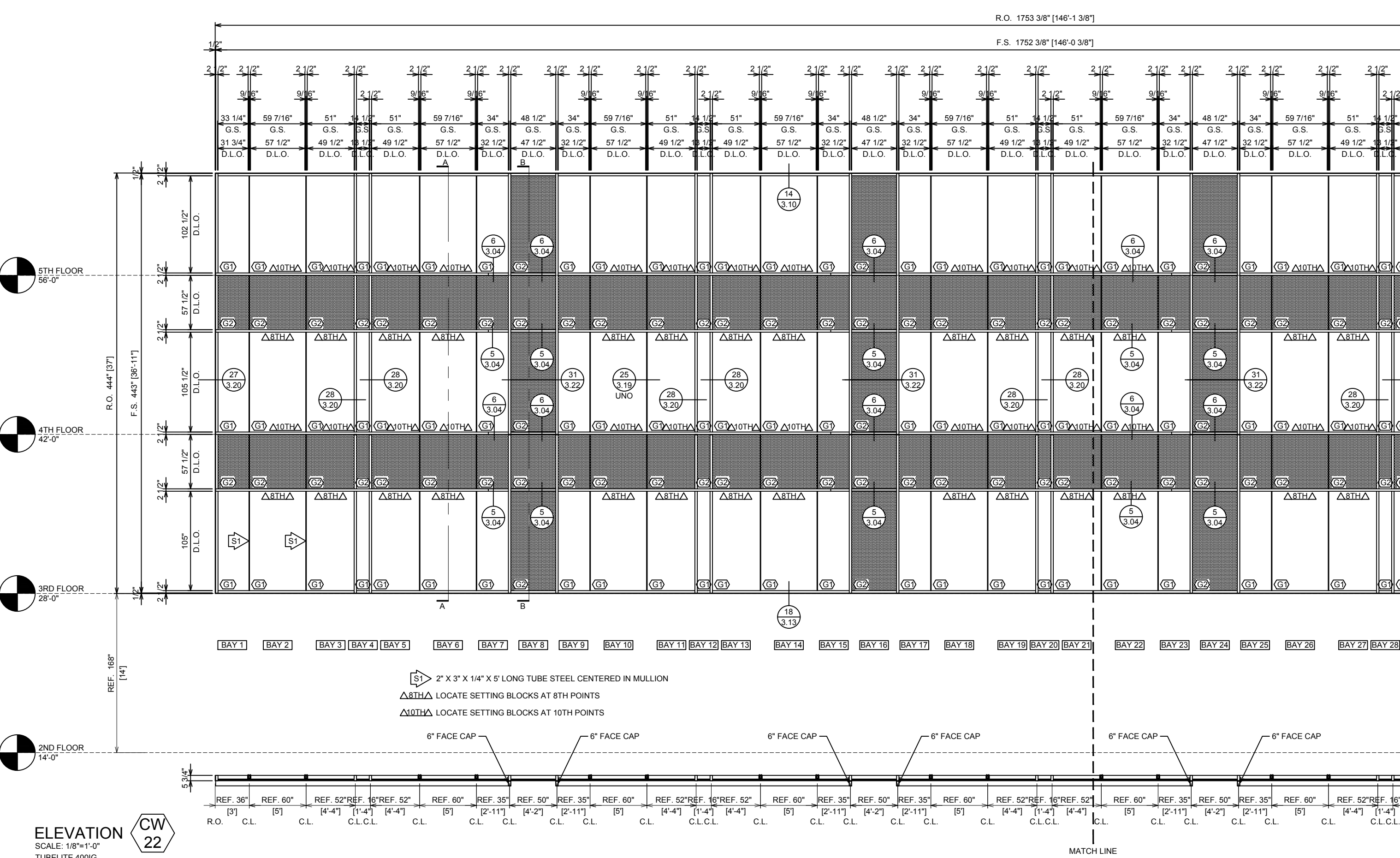
NO	DESCRIPTION	DATE
1	1ST REVISION, CW	12/23/19
2	1ST SUBMISSION, GL	11/13/19

CLAYTON COMMERCIAL GLAZING
435 E SECOND ST.
CLAYTON, NC 27520
(919)-550-0109

PROJECT: PALISADES 3 SHELL OFFICE BUILDING
 LOCATION: 5401 TRINITY ROAD
 RALEIGH, NC 27607
 (EXTERIOR CURTAINWALL SUBMITTAL)

DRAWN BY:	GL	DATE:	11/13/19
CHECKED BY:	JB	DATE:	11/13/19
JOB NO.:			

2.22

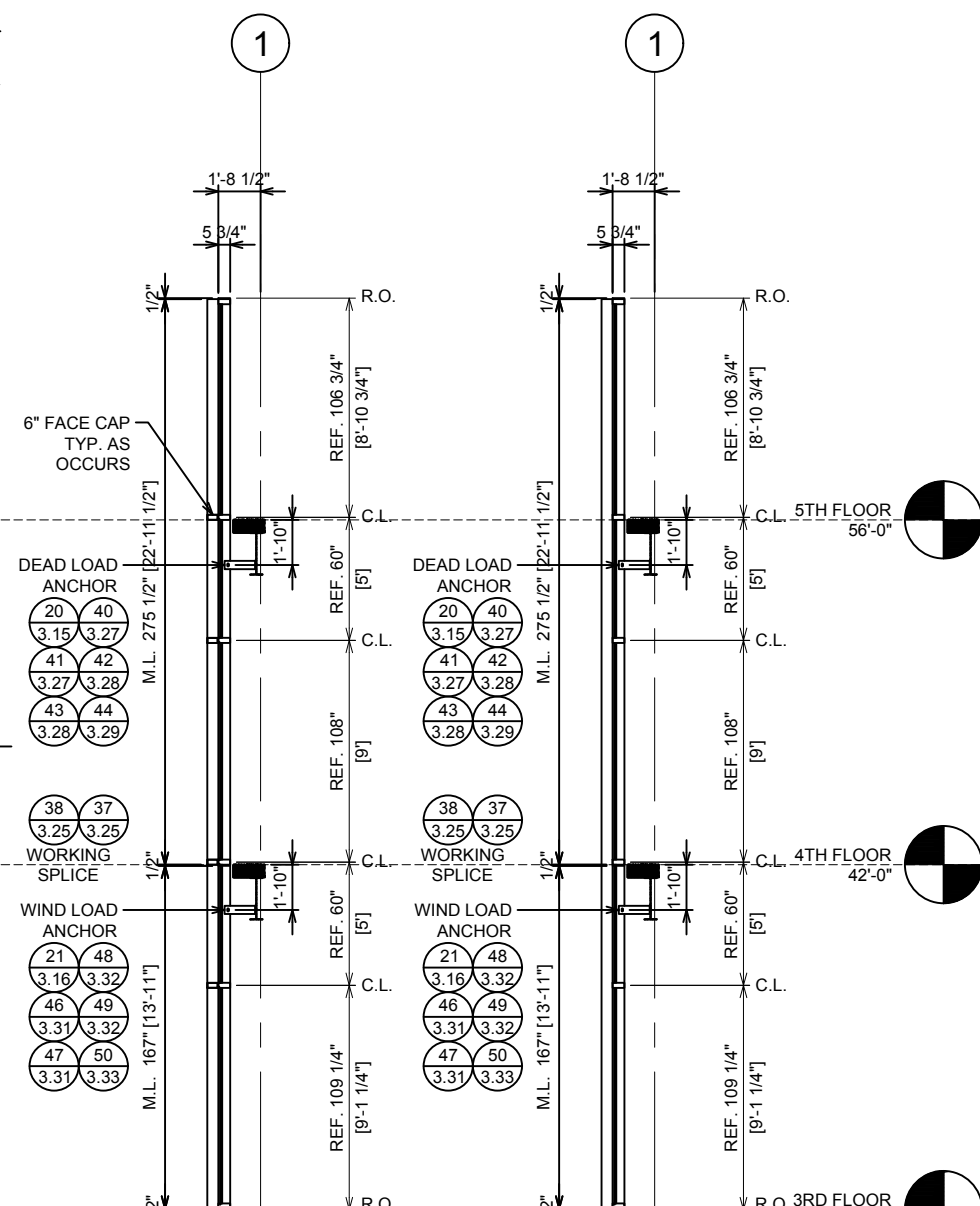
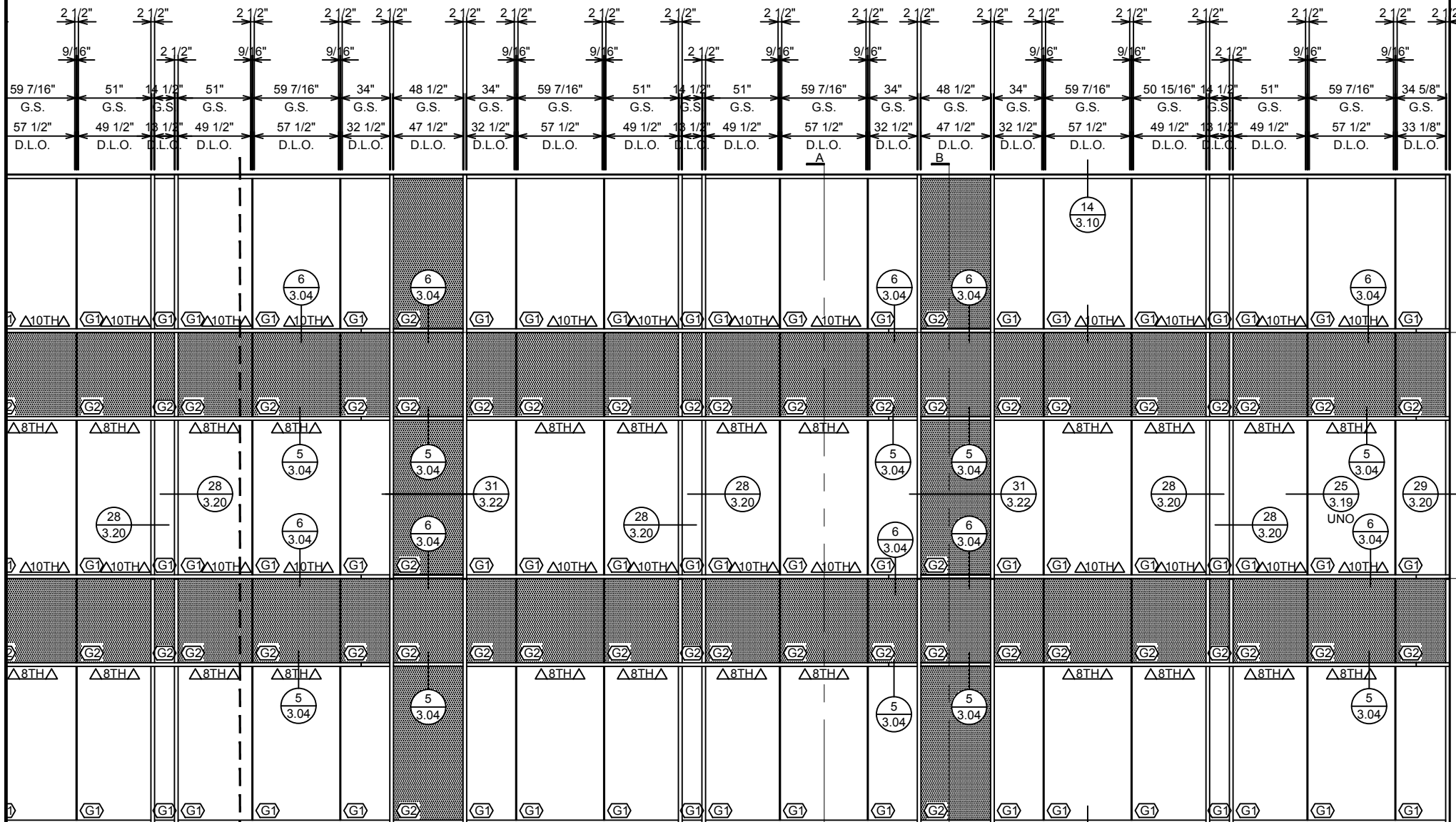


ELEVATION CW 22
 SCALE: 1/8"=1'-0"
 TUBELITE 400IG
 2 1/2" X 5 3/4" CURTAINWALL
 1" INSULATED GLASS (FRONT SET)
 QUANTITY: 1

ERECTOR / G.C. NOTE:
 PLEASE FIELD VERIFY ALL DIMENSIONS

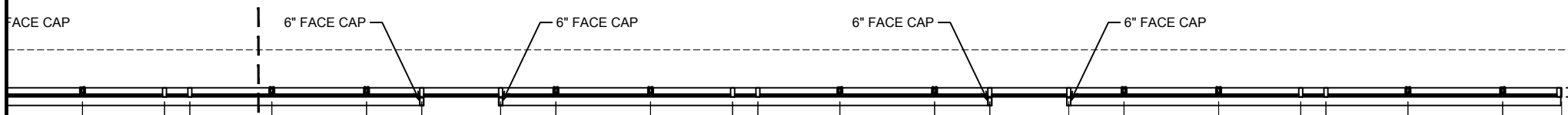
R.O. 1753 3/8" [146'-1 3/8"]

F.S. 1752 3/8" [146'-0 3/8"]



BAY 18 BAY 19 BAY 20 BAY 21 BAY 22 BAY 23 BAY 24 BAY 25 BAY 26 BAY 27 BAY 28 BAY 29 BAY 30 BAY 31 BAY 32 BAY 33 BAY 34 BAY 35 BAY 36 BAY 37 BAY 38 BAY 39

S1 2" X 3" X 1/4" X 5' LONG TUBE STEEL CENTERED IN MULLION
△8TH△ LOCATE SETTING BLOCKS AT 8TH POINTS
△10TH△ LOCATE SETTING BLOCKS AT 10TH POINTS



REF. 60" [5] C.L. REF. 52" [4'-4"] C.L. REF. 16" [1'-4"] C.L. REF. 52" [4'-4"] C.L. REF. 60" [5] C.L. REF. 35" [2'-11"] C.L. REF. 50" [4'-2"] C.L. REF. 35" [2'-11"] C.L. REF. 60" [5] C.L. REF. 52" [4'-4"] C.L. REF. 16" [1'-4"] C.L. REF. 52" [4'-4"] C.L. REF. 60" [5] C.L. REF. 35" [2'-11"] C.L. REF. 50" [4'-2"] C.L. REF. 35" [2'-11"] C.L. REF. 60" [5] C.L. REF. 52" [4'-4"] C.L. REF. 16" [1'-4"] C.L. REF. 52" [4'-4"] C.L. REF. 60" [5] C.L. REF. 37 3/8" [3'-1 3/8"] C.L. R.O.

A SECTION

B SECTION

ELEVATION CW 22
 SCALE: 1/8"=1'-0"
 TUBELITE 400IG
 2 1/2" X 5 3/4" CURTAINWALL
 1" INSULATED GLASS (FRONT SET)
 QUANTITY: 1

ERECTOR / G.C. NOTE:
 PLEASE FIELD VERIFY ALL DIMENSIONS

NO	DESCRIPTION	DATE
1	1ST REVISION, CW	12/23/19
2	1ST SUBMISSION, GL	11/13/19

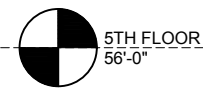
CLAYTON COMMERCIAL GLAZING
 435 E SECOND ST.
 CLAYTON, NC 27520
 (919)-550-0109

PROJECT: PALISADES 3 SHELL OFFICE BUILDING
 LOCATION: 5401 TRINITY ROAD
 RALEIGH, NC 27607
 (EXTERIOR CURTAINWALL SUBMITTAL)

DRAWN BY:	DATE:
GL	11/13/19
CHECKED BY:	DATE:
JB	11/13/19
JOB NO.:	



6TH FLOOR
70'-0"



5TH FLOOR
56'-0"



4TH FLOOR
42'-0"

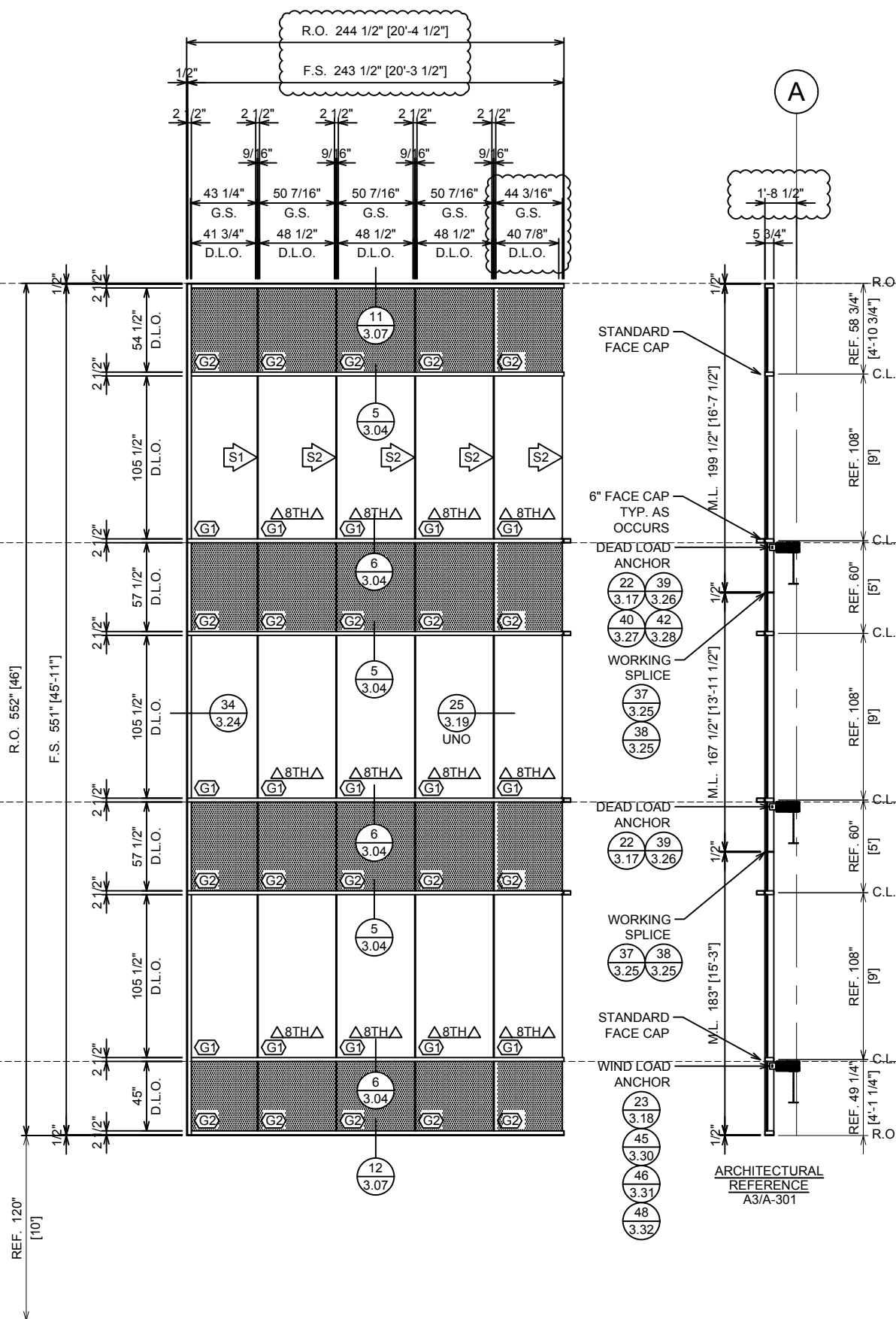


3RD FLOOR
28'-0"

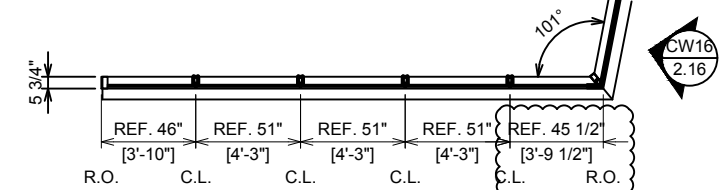


2ND FLOOR
14'-0"

- S1 2" X 3" X 1/4" X 4' LONG TUBE STEEL CENTERED IN MULLION
- S2 2" X 3" X 1/4" X 8' LONG TUBE STEEL CENTERED IN MULLION



ELEVATION CW 23
 SCALE: 1/8"=1'-0"
 TUBELITE 400IG
 2 1/2" X 5 3/4" CURTAINWALL
 1" INSULATED GLASS (FRONT SET)
 QUANTITY: 1



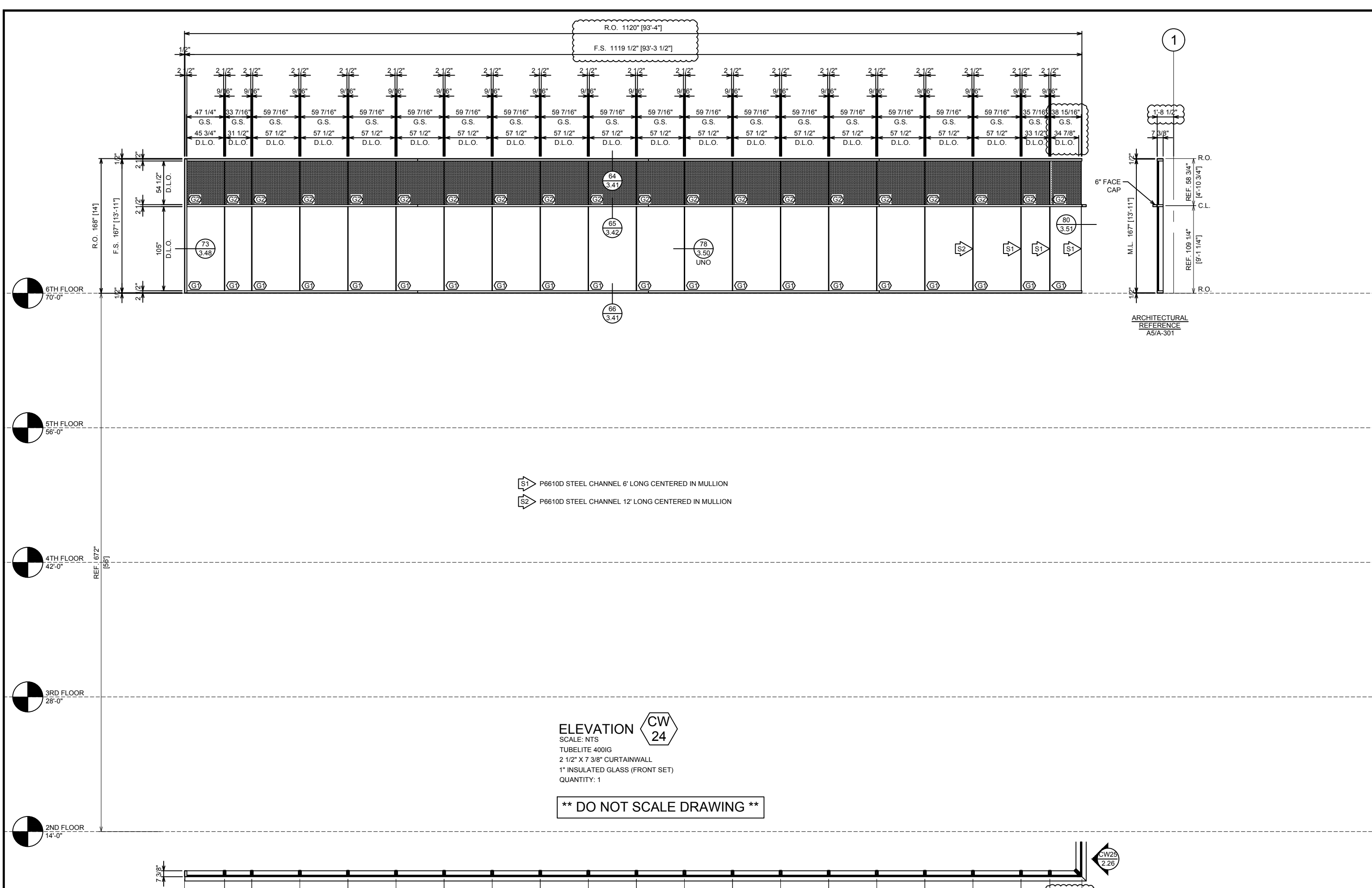
NO	DESCRIPTION	DATE
1	1ST REVISION, CW	12/23/19
2	1ST SUBMISSION, GL	11/13/19

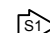
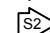
CLAYTON COMMERCIAL GLAZING
 435 E SECOND ST.
 CLAYTON, NC 27520
 (919)-550-0109

PROJECT: PALISADES 3 SHELL OFFICE BUILDING
 LOCATION: 3401 TRINITY ROAD
 RALEIGH, NC 27607
 (EXTERIOR CURTAINWALL SUBMITTAL)

DRAWN BY: GL DATE: 11/13/19
 CHECKED BY: JB DATE: 11/13/19
 JOB NO.:

ERECTOR / G.C. NOTE:
 PLEASE FIELD VERIFY ALL DIMENSIONS



 P6610D STEEL CHANNEL 6' LONG CENTERED IN MULLION
 P6610D STEEL CHANNEL 12' LONG CENTERED IN MULLION

ELEVATION CW 24
 SCALE: NTS
 TUBELITE 400IG
 2 1/2" X 7 3/8" CURTAINWALL
 1" INSULATED GLASS (FRONT SET)
 QUANTITY: 1

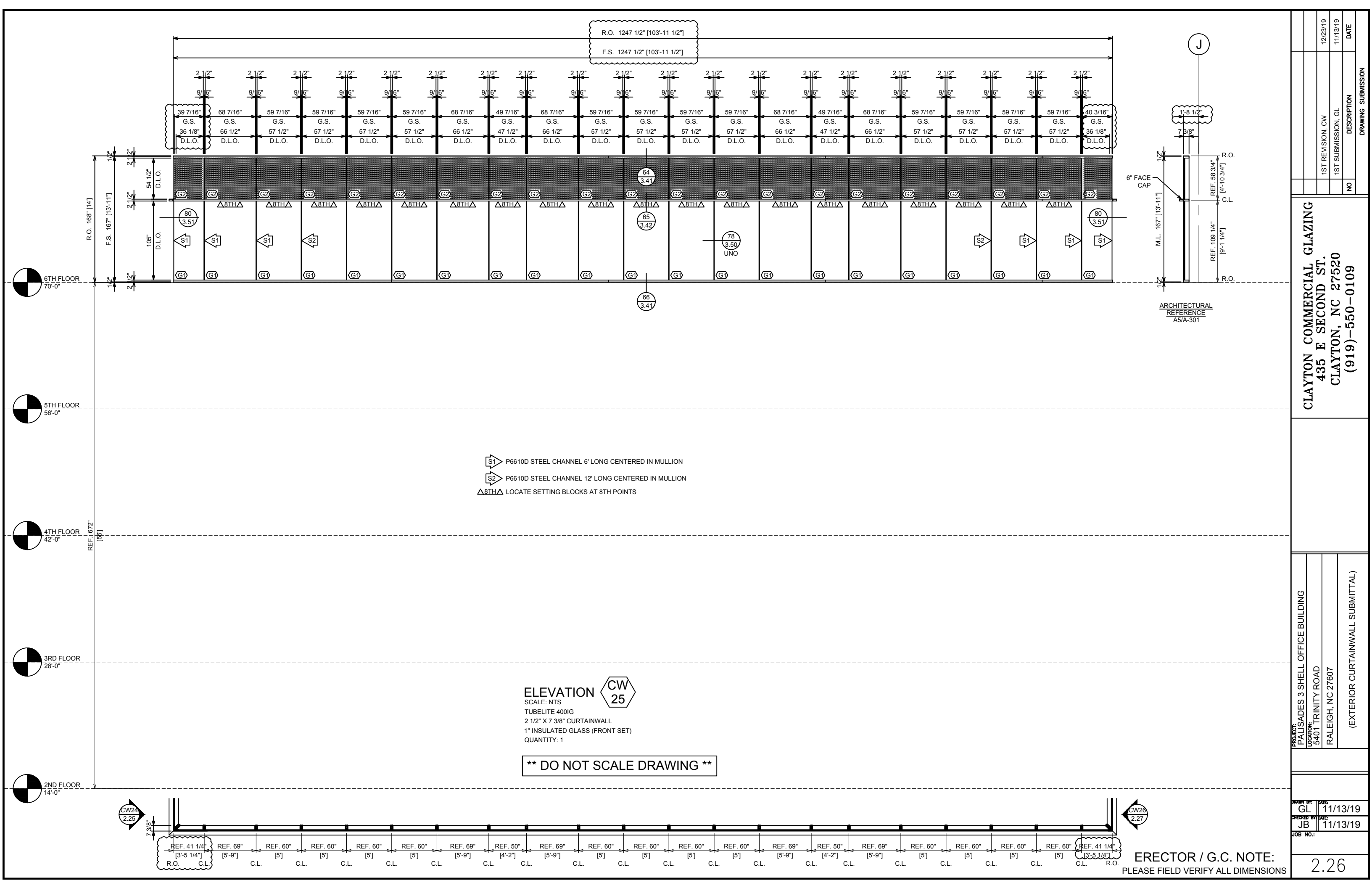
**** DO NOT SCALE DRAWING ****

 CW26
 2.26

PROJECT:	PALISADES 3 SHELL OFFICE BUILDING
LOCATION:	5401 TRINITY ROAD RALEIGH, NC 27607
DATE:	11/13/19
DESCRIPTION:	EXTERIOR CURTAINWALL SUBMITTAL
NO.	2.25
DATE:	11/13/19
DESCRIPTION:	1ST REVISION, CW
DATE:	12/23/19
DESCRIPTION:	1ST SUBMISSION, GL
DATE:	11/13/19

CLAYTON COMMERCIAL GLAZING
 435 E SECOND ST.
 CLAYTON, NC 27520
 (919)-550-0109

ERECTOR / G.C. NOTE:
 PLEASE FIELD VERIFY ALL DIMENSIONS



R.O. 1247 1/2" [103'-11 1/2"]
 F.S. 1247 1/2" [103'-11 1/2"]

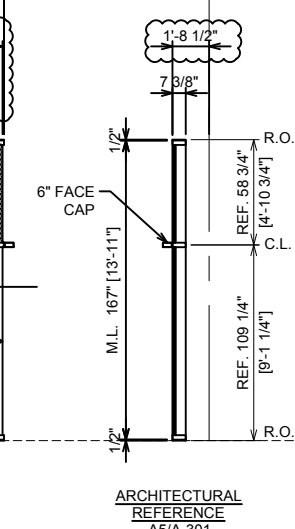
R.O. 168" [14']
 F.S. 167" [13'-11"]
 6TH FLOOR 70'-0"

5TH FLOOR 56'-0"

4TH FLOOR 42'-0"
 REF. 1672" [58']

3RD FLOOR 28'-0"

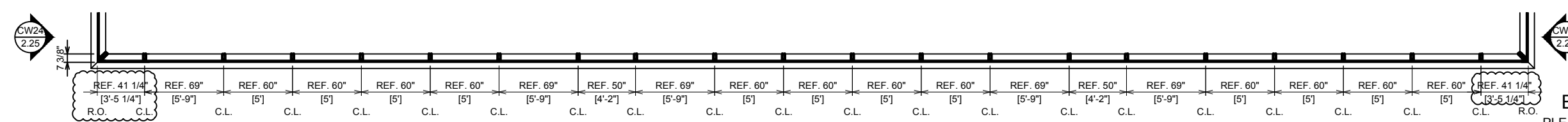
2ND FLOOR 14'-0"



- P6610D STEEL CHANNEL 6' LONG CENTERED IN MULLION
- P6610D STEEL CHANNEL 12' LONG CENTERED IN MULLION
- LOCATE SETTING BLOCKS AT 8TH POINTS

ELEVATION
 SCALE: NTS
 TUBELITE 400IG
 2 1/2" X 7 3/8" CURTAINWALL
 1" INSULATED GLASS (FRONT SET)
 QUANTITY: 1

**** DO NOT SCALE DRAWING ****



NO	DESCRIPTION	DATE
1	1ST REVISION, CW	12/23/19
2	1ST SUBMISSION, GL	11/13/19

CLAYTON COMMERCIAL GLAZING
 435 E SECOND ST.
 CLAYTON, NC 27520
 (919)-550-0109

PROJECT: PALISADES 3 SHELL OFFICE BUILDING
 LOCATION: 5401 TRINITY ROAD
 RALEIGH, NC 27607

EXTERIOR CURTAINWALL SUBMITTAL

DRAWN BY:	DATE:
GL	11/13/19
CHECKED BY:	DATE:
JB	11/13/19
JOB NO.:	

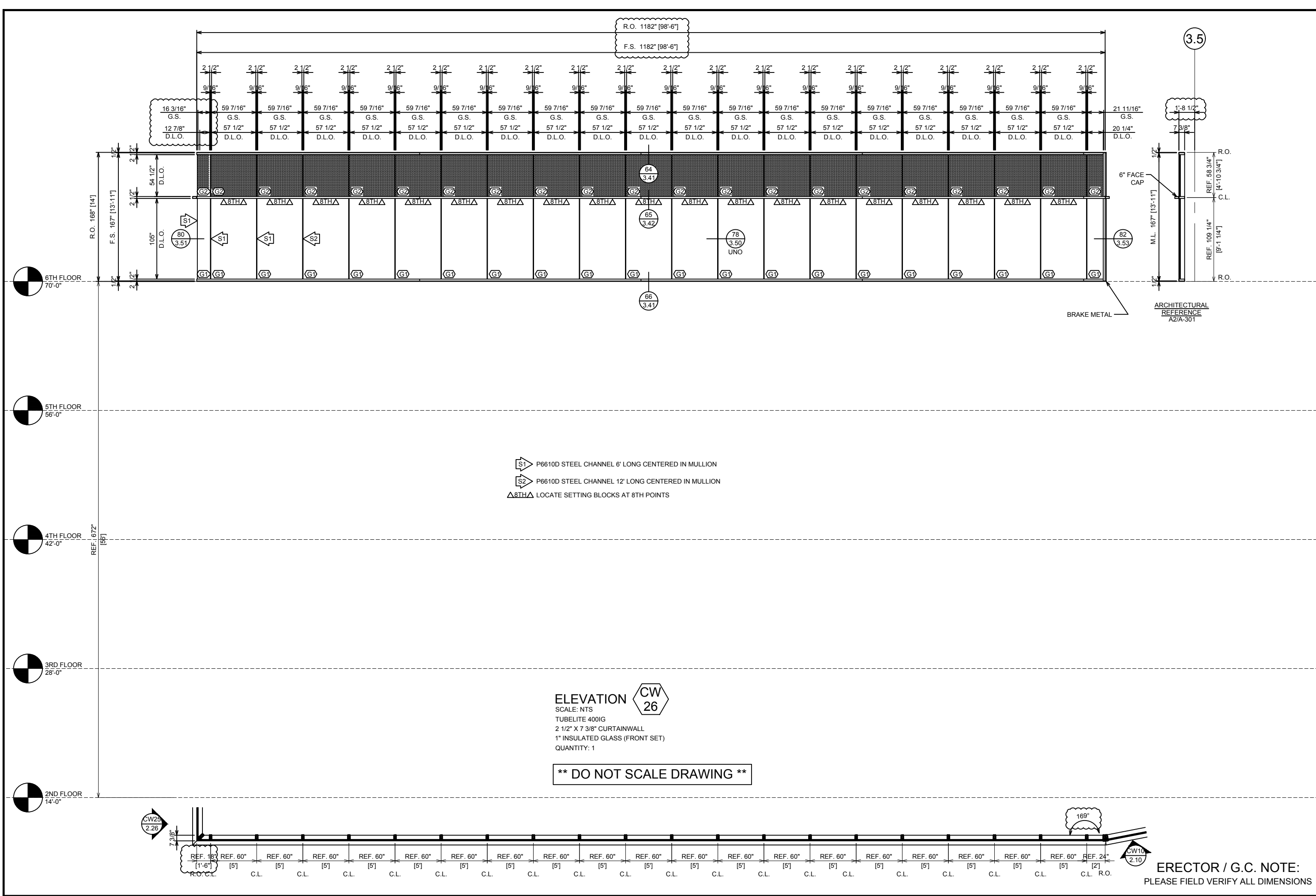
2.26

NO	DESCRIPTION	DATE
1	1ST REVISION, CW	12/23/19
2	1ST SUBMISSION, GL	11/13/19

CLAYTON COMMERCIAL GLAZING
435 E SECOND ST.
CLAYTON, NC 27520
(919)-550-0109

PROJECT:	PALISADES 3 SHELL OFFICE BUILDING
LOCATION:	5401 TRINITY ROAD RALEIGH, NC 27607
DATE:	11/13/19
BY:	GL
CHECKED BY:	JB
DATE:	11/13/19
JOB NO.:	
	(EXTERIOR CURTAINWALL SUBMITTAL)

PROJECT:	PALISADES 3 SHELL OFFICE BUILDING
LOCATION:	5401 TRINITY ROAD RALEIGH, NC 27607
DATE:	11/13/19
BY:	GL
CHECKED BY:	JB
DATE:	11/13/19
JOB NO.:	
	(EXTERIOR CURTAINWALL SUBMITTAL)



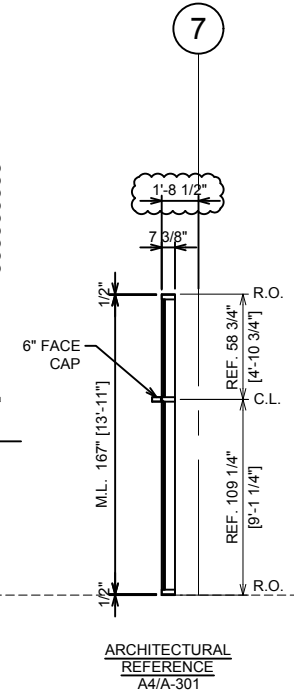
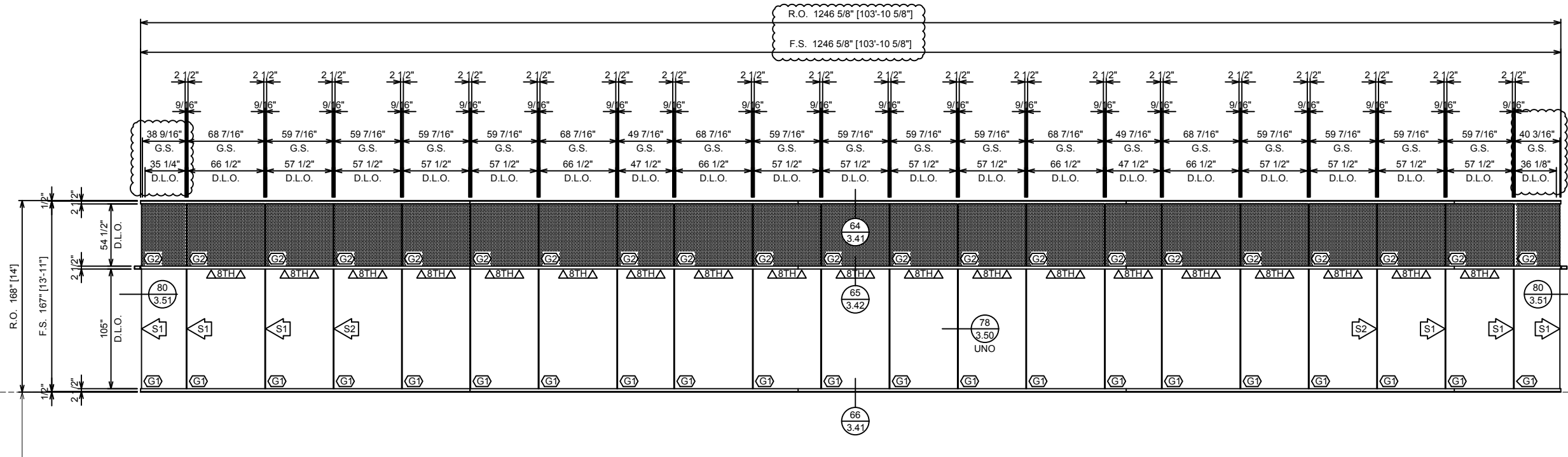
- P6610D STEEL CHANNEL 6' LONG CENTERED IN MULLION
- P6610D STEEL CHANNEL 12' LONG CENTERED IN MULLION
- LOCATE SETTING BLOCKS AT 8TH POINTS

ELEVATION CW 26
 SCALE: NTS
 TUBELITE 400IG
 2 1/2" X 7 3/8" CURTAINWALL
 1" INSULATED GLASS (FRONT SET)
 QUANTITY: 1

**** DO NOT SCALE DRAWING ****

ERECTOR / G.C. NOTE:
 PLEASE FIELD VERIFY ALL DIMENSIONS

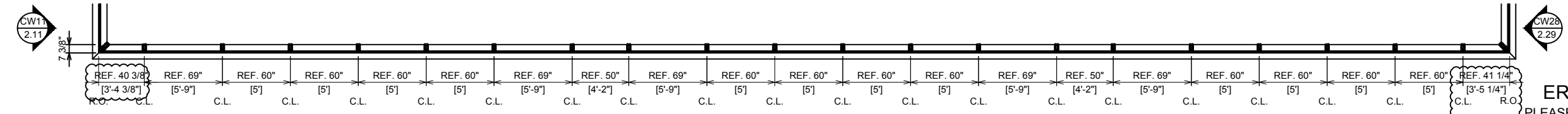
2.27



- P6610D STEEL CHANNEL 6' LONG CENTERED IN MULLION
- P6610D STEEL CHANNEL 12' LONG CENTERED IN MULLION

ELEVATION CW
27
 SCALE: NTS
 TUBELITE 400IG
 2 1/2" X 7 3/8" CURTAINWALL
 1" INSULATED GLASS (FRONT SET)
 QUANTITY: 1

**** DO NOT SCALE DRAWING ****



ERECTOR / G.C. NOTE:
 PLEASE FIELD VERIFY ALL DIMENSIONS

NO	DESCRIPTION	DATE
1	1ST REVISION, CW	12/23/19
2	1ST SUBMISSION, GL	11/13/19

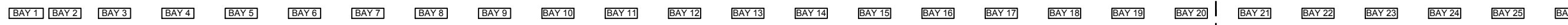
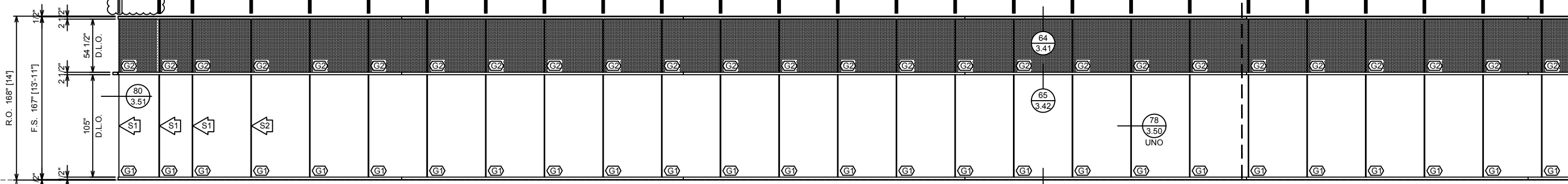
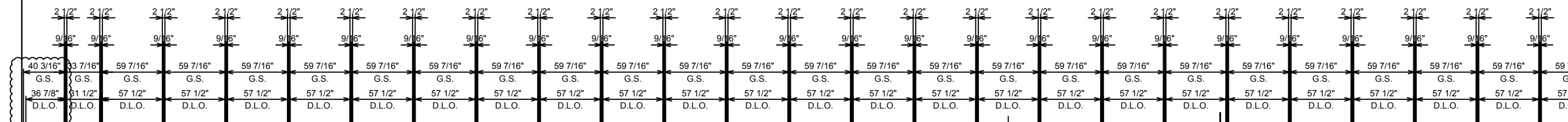
CLAYTON COMMERCIAL GLAZING
 435 E SECOND ST.
 CLAYTON, NC 27520
 (919) -550-0109

PROJECT:	PALISADES 3 SHELL OFFICE BUILDING
LOCATION:	5401 TRINITY ROAD RALEIGH, NC 27607
DATE:	11/13/19
DESCRIPTION:	EXTERIOR CURTAINWALL SUBMITTAL

DRAWN BY:	GL	DATE:	11/13/19
CHECKED BY:	JB	DATE:	11/13/19
JOB NO.:	2.28		

R.O. 1845 1/4" [153'-9 1/4"]

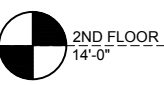
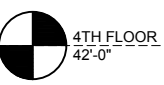
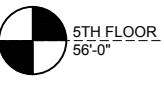
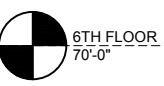
F.S. 1844 3/4" [153'-8 3/4"]



- P6610D STEEL CHANNEL 6' LONG CENTERED IN MULLION
- P6610D STEEL CHANNEL 12' LONG CENTERED IN MULLION
- E3162 PERIMETER "F" ANCHOR ALONG JAMB

ELEVATION CW 28
 SCALE: NTS
 TUBELITE 400IG
 2 1/2" X 7 3/8" CURTAINWALL
 1" INSULATED GLASS (FRONT SET)
 QUANTITY: 1

**** DO NOT SCALE DRAWING ****



R.O. 168" [14']

F.S. 167" [13'-11"]

105" D.L.O.

54 1/2" D.L.O.

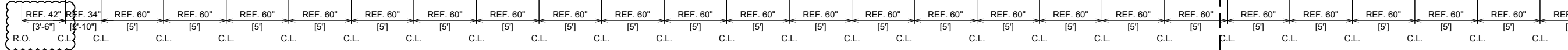
2 1/2"

2 1/2"

12"

REF. 672" [56']

7 3/8"



NO	DESCRIPTION	DATE
1	1ST REVISION, CW	12/23/19
2	1ST SUBMISSION, GL	11/13/19

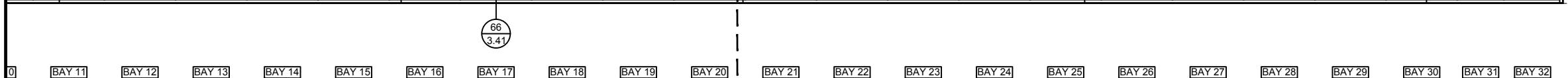
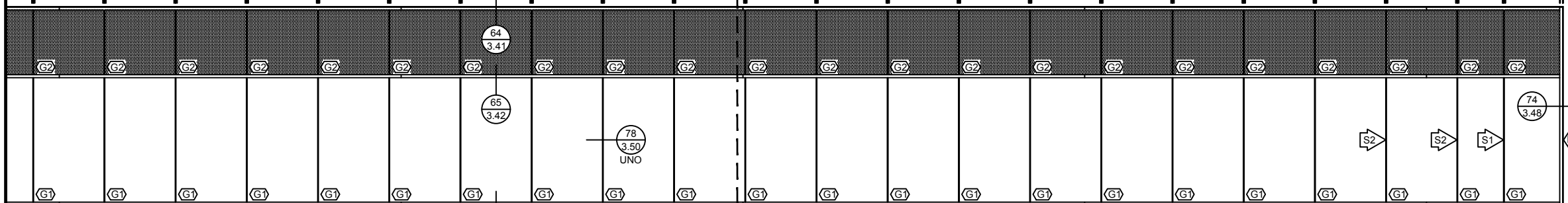
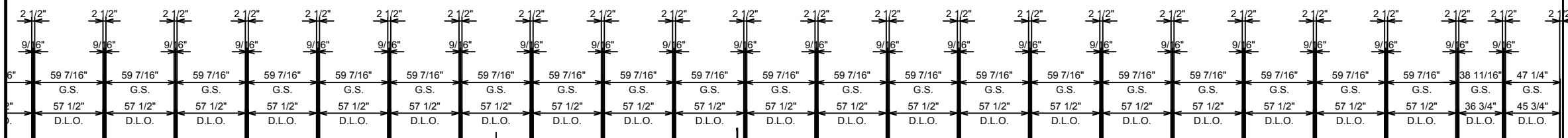
CLAYTON COMMERCIAL GLAZING
 435 E SECOND ST.
 CLAYTON, NC 27520
 (919)-550-0109

PROJECT:	PALISADES 3 SHELL OFFICE BUILDING
LOCATION:	3401 TRINITY ROAD RALEIGH, NC 27607
JOB NO.:	(EXTERIOR CURTAINWALL SUBMITTAL)

DRAWN BY:	GL	DATE:	11/13/19
CHECKED BY:	JB	DATE:	11/13/19

R.O. 1845 1/4" [153'-9 1/4"]

F.S. 1844 3/4" [153'-8 3/4"]

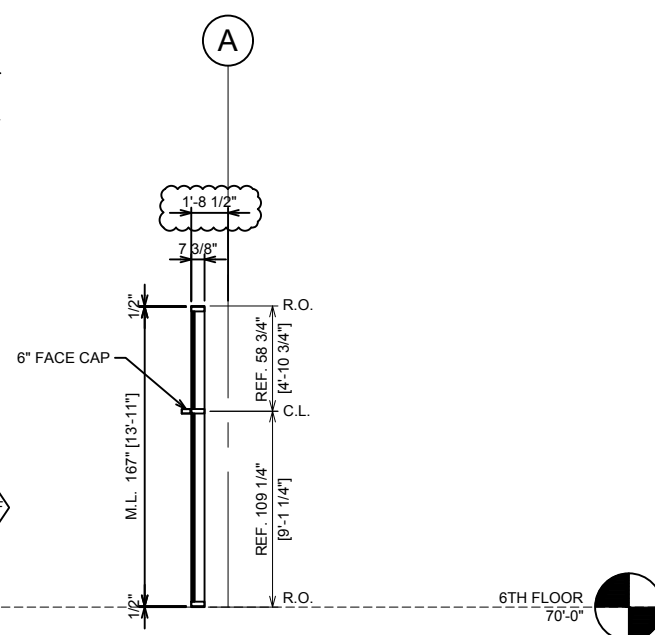


- P6610D STEEL CHANNEL 6' LONG CENTERED IN MULLION
- P6610D STEEL CHANNEL 12' LONG CENTERED IN MULLION
- E3162 PERIMETER "F" ANCHOR ALONG JAMB

ELEVATION

SCALE: NTS
 TUBELITE 400IG
 2 1/2" X 7 3/8" CURTAINWALL
 1" INSULATED GLASS (FRONT SET)
 QUANTITY: 1

**** DO NOT SCALE DRAWING ****



ARCHITECTURAL REFERENCE A4/A-301

NO	DESCRIPTION	DATE
1	1ST REVISION, CW	12/23/19
2	1ST SUBMISSION, GL	11/13/19

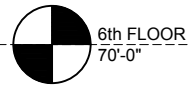
CLAYTON COMMERCIAL GLAZING
 435 E SECOND ST.
 CLAYTON, NC 27520
 (919)-550-0109

PROJECT:	PALISADES 3 SHELL OFFICE BUILDING
LOCATION:	3401 TRINITY ROAD RALEIGH, NC 27607
DATE:	11/13/19
DESCRIPTION:	EXTERIOR CURTAINWALL SUBMITTAL

DRAWN BY:	GL	DATE:	11/13/19
CHECKED BY:	JB	DATE:	11/13/19
JOB NO.:	2.30		

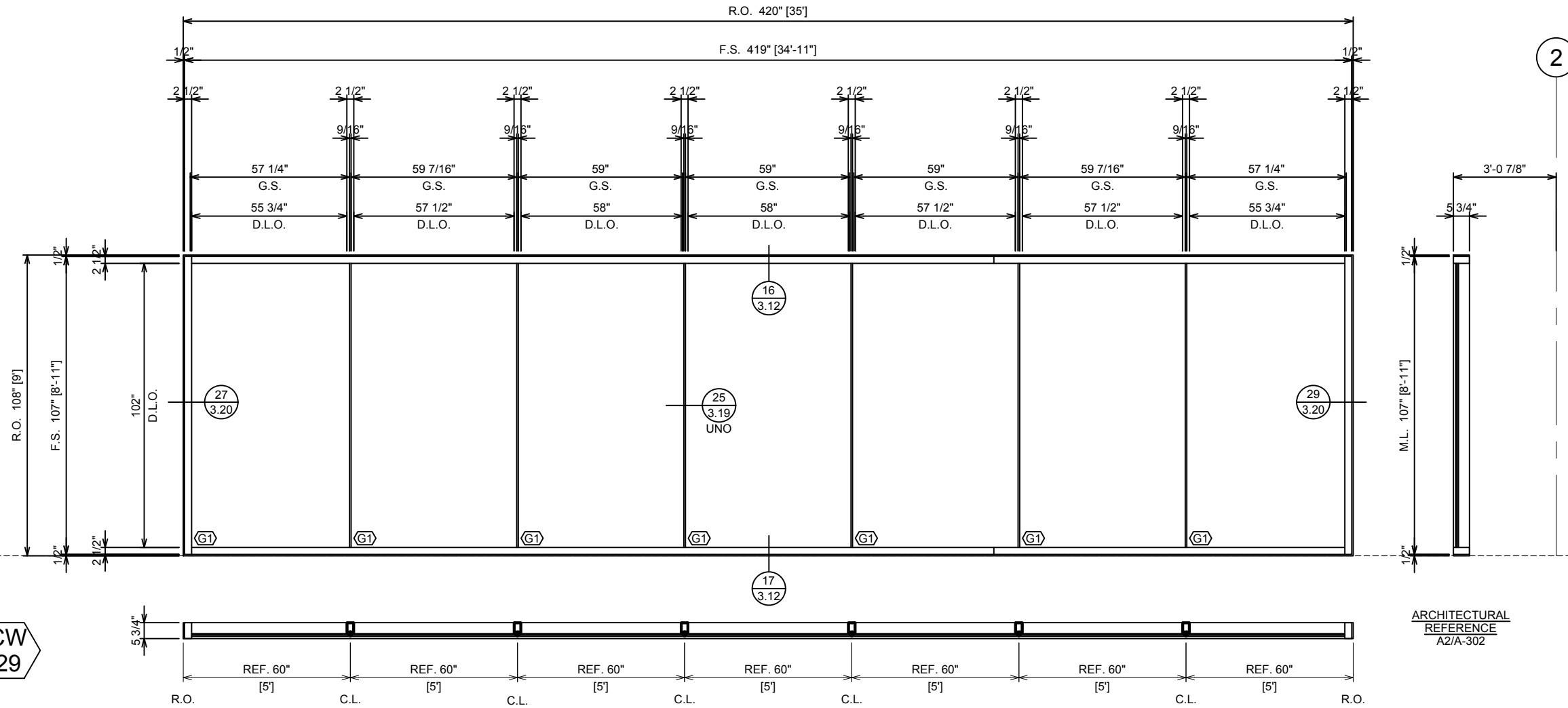
ERECTOR / G.C. NOTE:
 PLEASE FIELD VERIFY ALL DIMENSION

2.30



ELEVATION

SCALE: 1/4"=1'-0"
 TUBELITE 400IG
 2 1/2" X 5 3/4" CURTAINWALL
 1" INSULATED GLASS (FRONT SET)
 QUANTITY: 1



ARCHITECTURAL
 REFERENCE
 A2/A-302

NO	DESCRIPTION	DATE
1	1ST SUBMISSION, GL	11/13/19
2	1ST REVISION, CW	12/23/19

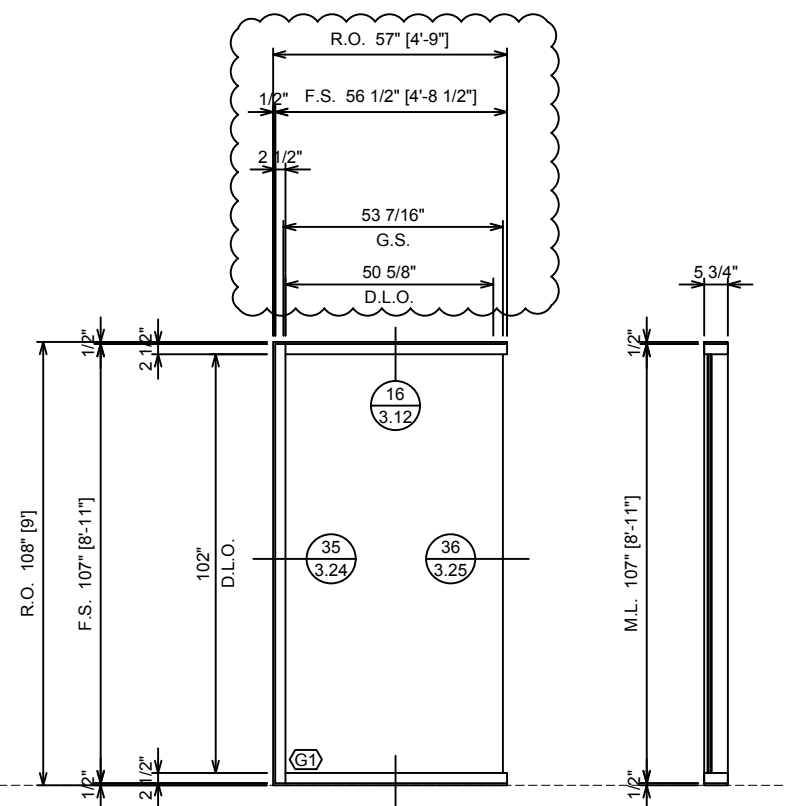
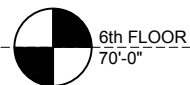
CLAYTON COMMERCIAL GLAZING
 435 E SECOND ST.
 CLAYTON, NC 27520
 (919)-550-0109

PROJECT: PALISADES 3 SHELL OFFICE BUILDING
 LOCATION: 3401 TRINITY ROAD
 RALEIGH, NC 27607
 (EXTERIOR CURTAINWALL SUBMITTAL)

DRAWN BY:	DATE:
GL	11/13/19
CHECKED BY:	DATE:
JB	11/13/19

JOB NO.:
 2.31

ERECTOR / G.C. NOTE:
 PLEASE FIELD VERIFY ALL DIMENSIONS



ELEVATION

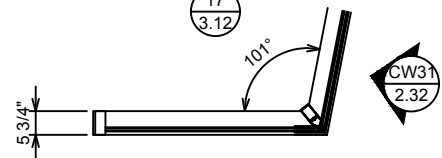
SCALE: 1/4"=1'-0"

TUBELITE 400IG

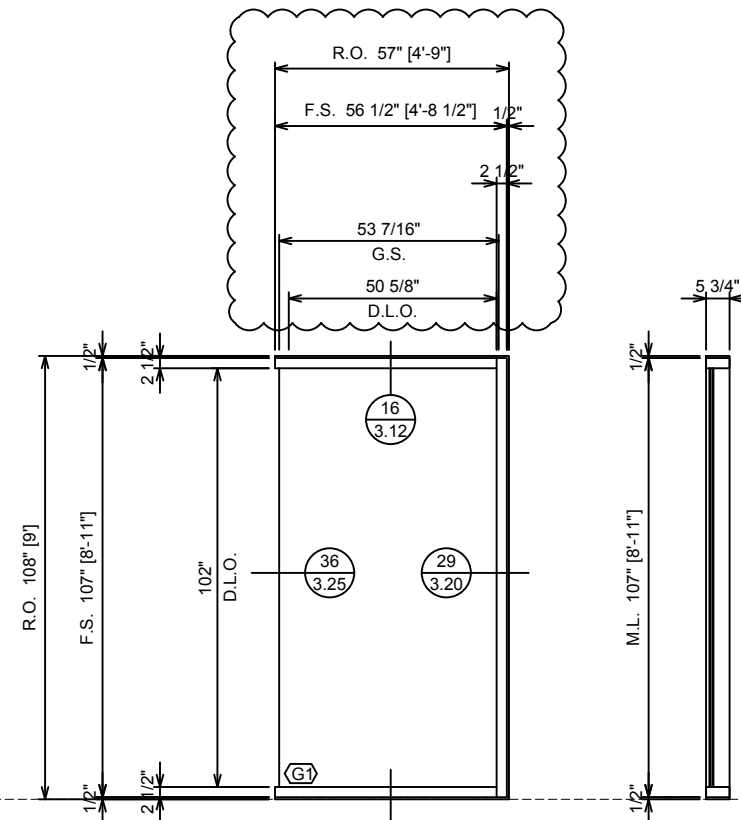
2 1/2" X 5 3/4" CURTAINWALL

1" INSULATED GLASS (FRONT SET)

QUANTITY: 1



ARCHITECTURAL
REFERENCE
NONE



ELEVATION

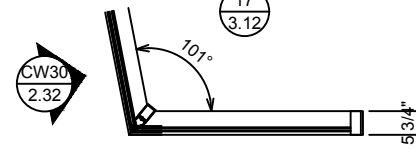
SCALE: 1/4"=1'-0"

TUBELITE 400IG

2 1/2" X 5 3/4" CURTAINWALL

1" INSULATED GLASS (FRONT SET)

QUANTITY: 1



ARCHITECTURAL
REFERENCE
NONE

ERECTOR / G.C. NOTE:
PLEASE FIELD VERIFY ALL DIMENSIONS

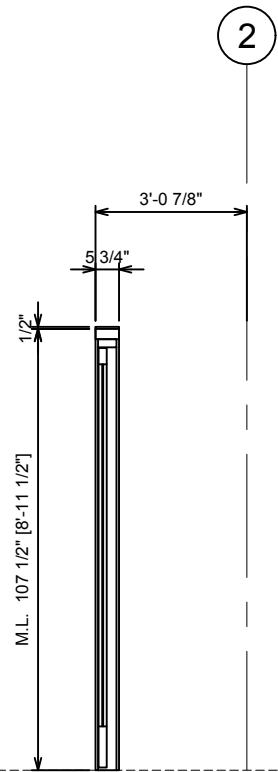
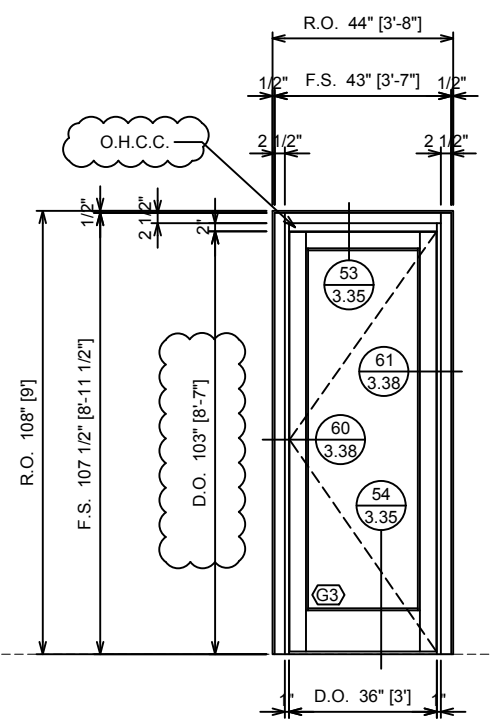
NO	DESCRIPTION	DATE
1	1ST SUBMISSION, GL	11/13/19
2	1ST REVISION, CW	12/23/19
DRAWING SUBMISSION		

CLAYTON COMMERCIAL GLAZING
435 E SECOND ST.
CLAYTON, NC 27520
(919)-550-0109

PROJECT: PALISADES 3 SHELL OFFICE BUILDING
LOCATION: 3401 TRINITY ROAD
RALEIGH, NC 27607
(EXTERIOR CURTAINWALL SUBMITTAL)

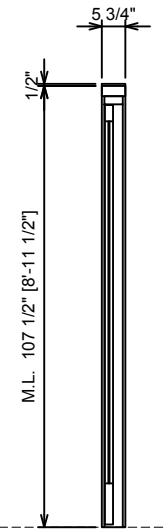
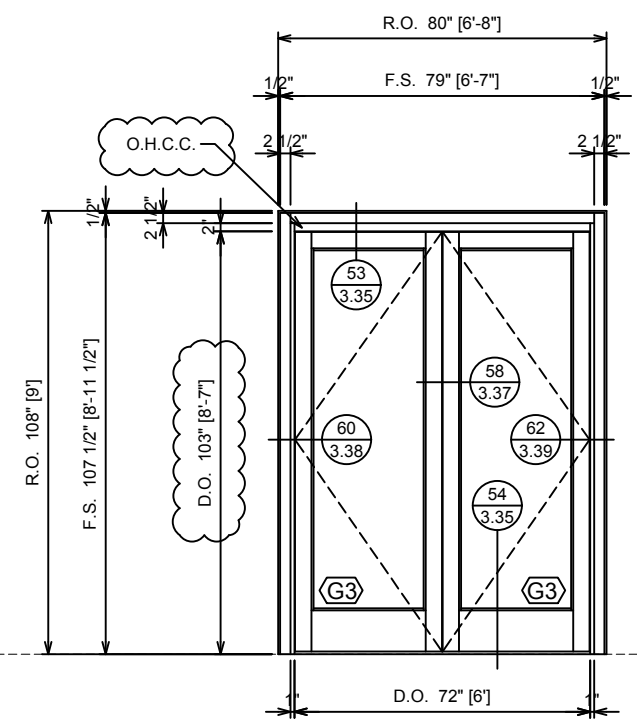
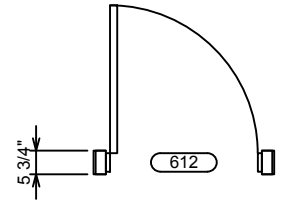
DRAWN BY:	DATE:
GL	11/13/19
CHECKED BY:	DATE:
JB	11/13/19
JOB NO.:	

2.32



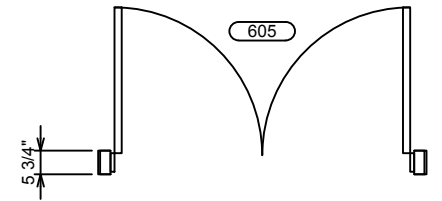
ARCHITECTURAL
REFERENCE
NONE

ELEVATION CW 32
SCALE: 1/4"=1'-0"
TUBELITE 400IG
2 1/2" X 5 3/4" CURTAINWALL
1" INSULATED GLASS (FRONT SET)
QUANTITY: 1



ARCHITECTURAL
REFERENCE
NONE

ELEVATION CW 33
SCALE: 1/4"=1'-0"
TUBELITE 400IG
2 1/2" X 5 3/4" CURTAINWALL
1" INSULATED GLASS (FRONT SET)
QUANTITY: 1



ERECTOR / G.C. NOTE:
PLEASE FIELD VERIFY ALL DIMENSIONS

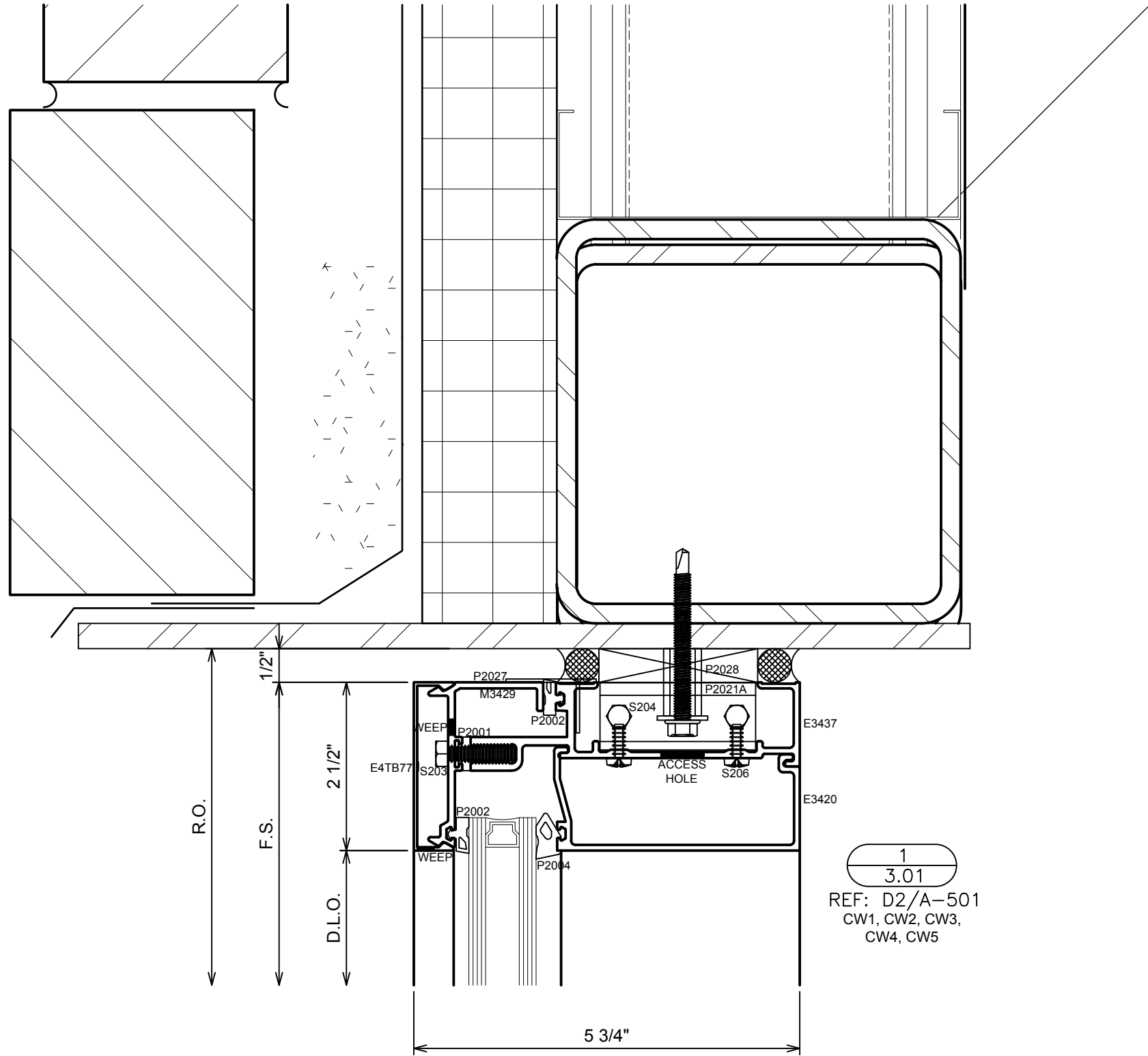
NO	DESCRIPTION	DATE
1	1ST REVISION, CW	12/23/19
2	1ST SUBMISSION, GL	11/13/19

CLAYTON COMMERCIAL GLAZING
435 E SECOND ST.
CLAYTON, NC 27520
(919)-550-0109

PROJECT: PALISADES 3 SHELL OFFICE BUILDING
LOCATION: 3401 TRINITY ROAD
RALEIGH, NC 27607
(EXTERIOR CURTAINWALL SUBMITTAL)

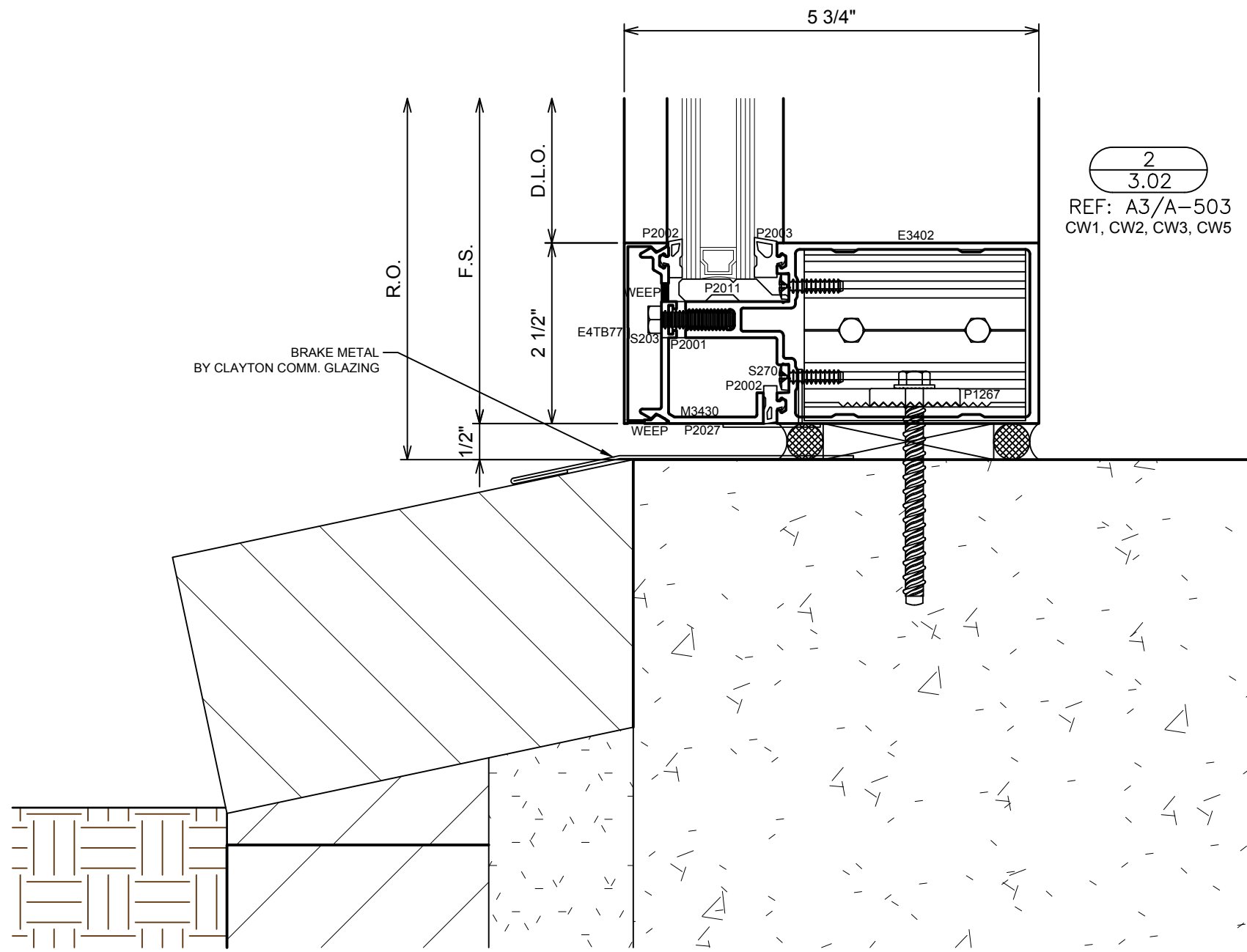
DRAWN BY:	DATE:
GL	11/13/19
CHECKED BY:	DATE:
JB	11/13/19
JOB NO.:	

2.33



1
3.01

PROJECT: PALISADES 3 SHELL OFFICE BUILDING		CLAYTON COMMERCIAL GLAZING	
LOCATION: 3401 TRINITY ROAD		435 E SECOND ST.	
RALEIGH, NC 27607		CLAYTON, NC 27520	
(EXTERIOR CURTAINWALL SUBMITTAL)		(919)-550-0109	
NO	DESCRIPTION	DATE	DRAWING SUBMISSION
1	1ST REVISION, CW	12/23/19	
2	1ST SUBMISSION, GL	11/13/19	
DRAWN BY: GL		DATE: 11/13/19	
CHECKED BY: JB		DATE: 11/13/19	
JOB NO.:			
3.01			



PROJECT: PALISADES 3 SHELL OFFICE BUILDING
 LOCATION: 3401 TRINITY ROAD
 RALEIGH, NC 27607
 (EXTERIOR CURTAINWALL SUBMITTAL)

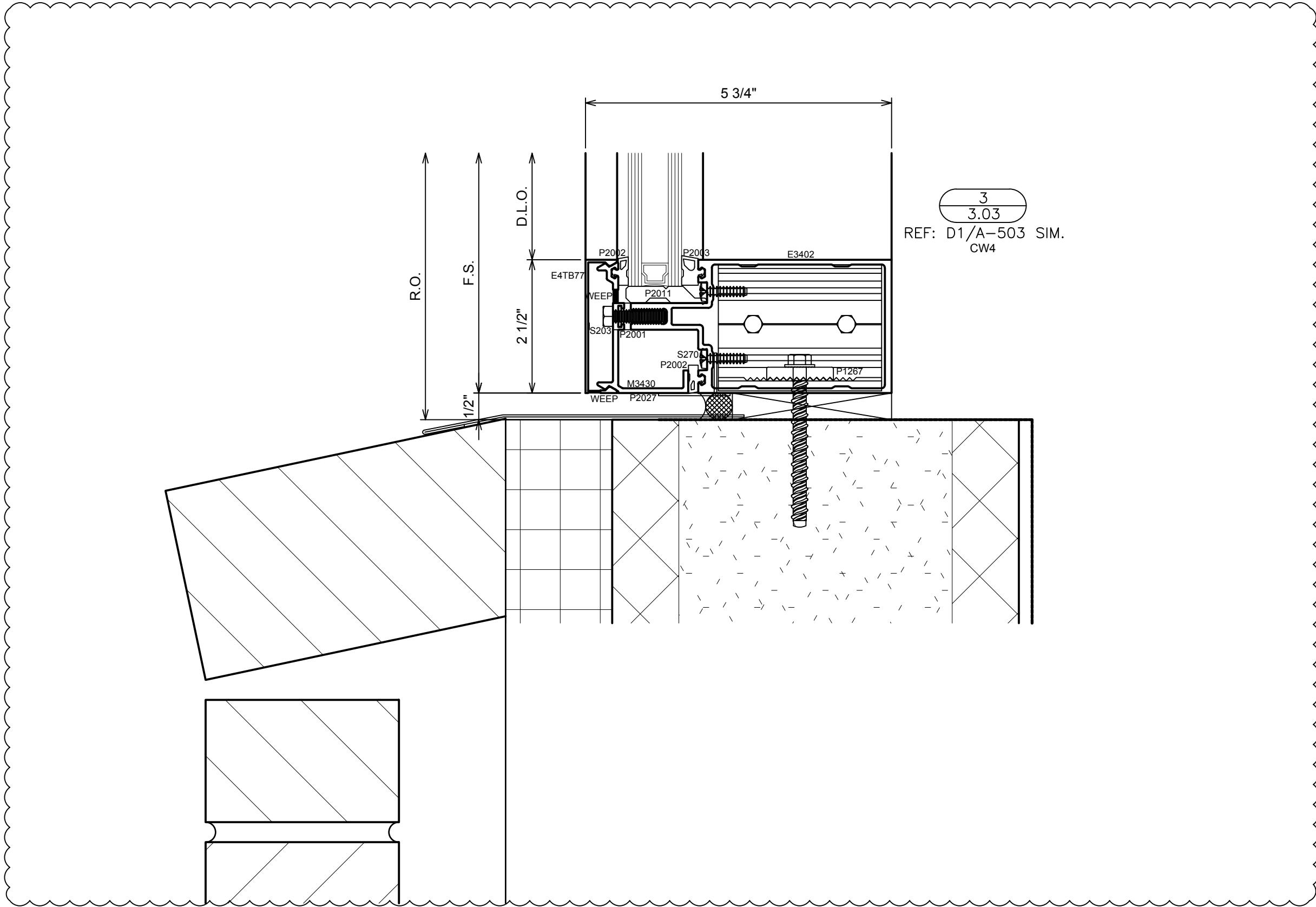
DRAWN BY: GL DATE: 11/13/19
 CHECKED BY: JB DATE: 11/13/19
 JOB NO.:

3.02

CLAYTON COMMERCIAL GLAZING
 435 E SECOND ST.
 CLAYTON, NC 27520
 (919)-550-0109

NO	DESCRIPTION	DATE
1	1ST REVISION, CW	12/23/19
2	1ST SUBMISSION, GL	11/13/19

DRAWING SUBMISSION



3
3.03

REF: D1/A-503 SIM.
CW4

PROJECT: PALISADES 3 SHELL OFFICE BUILDING
 LOCATION: 5401 TRINITY ROAD
 RALEIGH, NC 27607
 (EXTERIOR CURTAINWALL SUBMITTAL)

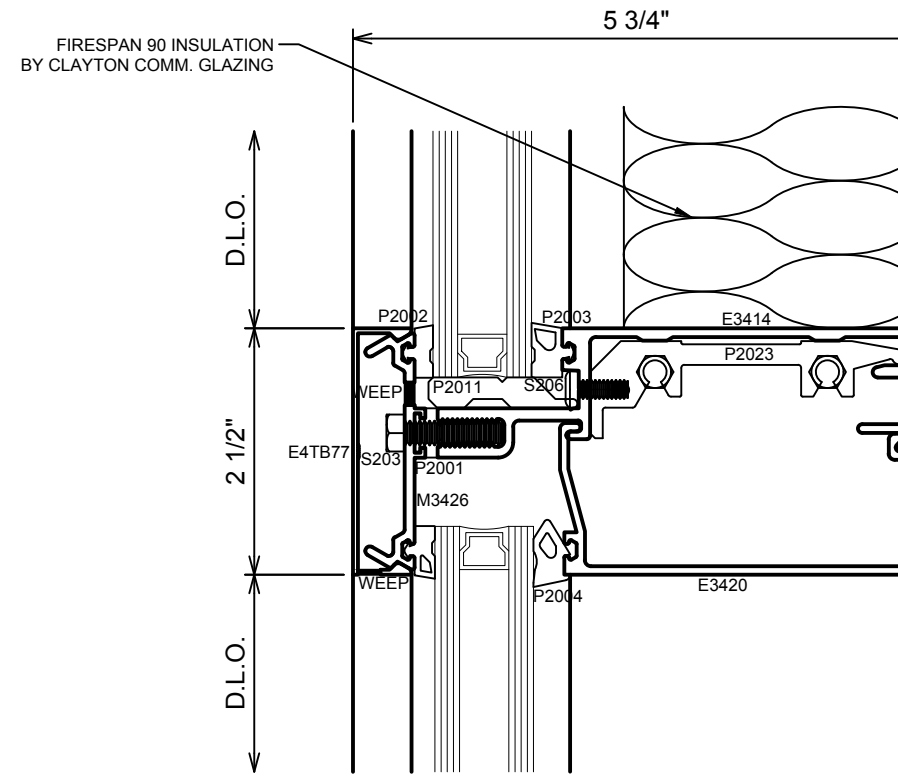
DRAWN BY: GL DATE: 11/13/19
 CHECKED BY: JB DATE: 11/13/19
 JOB NO.:

3.03

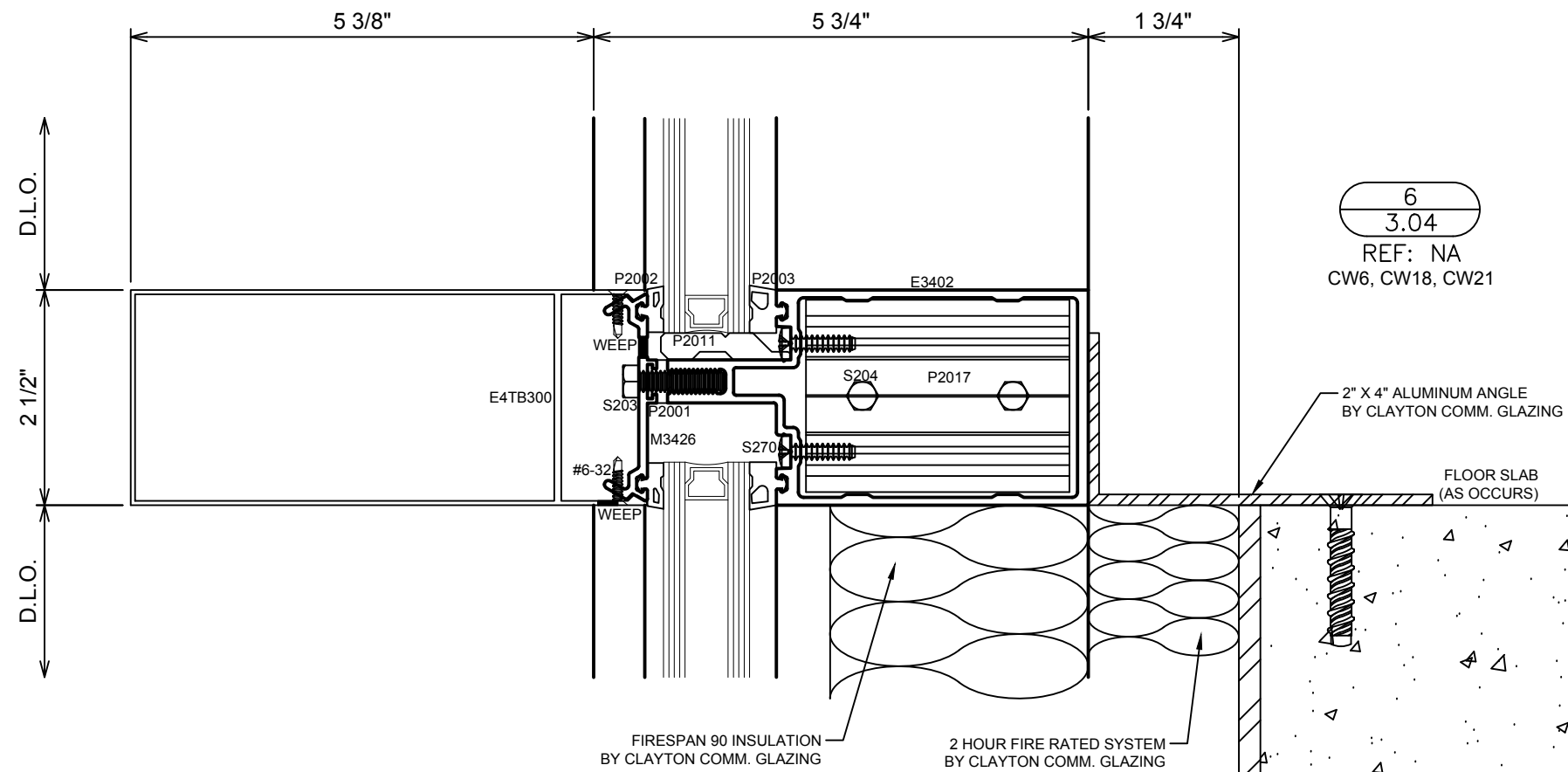
NO	DESCRIPTION	DATE
	1ST REVISION, CW	12/23/19
	1ST SUBMISSION, GL	11/13/19

CLAYTON COMMERCIAL GLAZING
 435 E SECOND ST.
 CLAYTON, NC 27520
 (919)-550-0109

DRAWING SUBMISSION



5
3.04
REF: NA
TYPICAL AS OCCURS



6
3.04
REF: NA
CW6, CW18, CW21

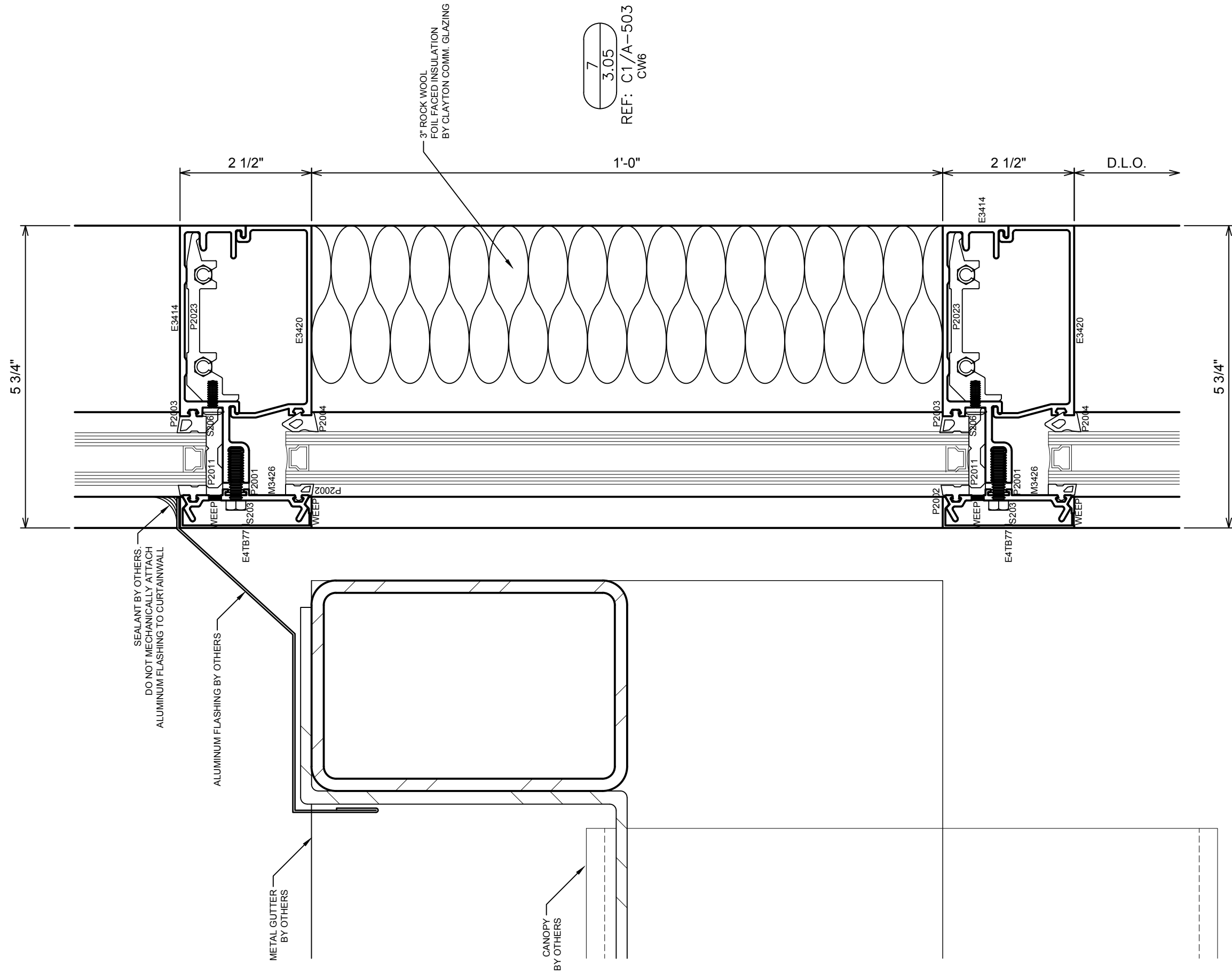
NO	DESCRIPTION	DATE
1	1ST REVISION, CW	12/23/19
2	1ST SUBMISSION, GL	11/13/19

CLAYTON COMMERCIAL GLAZING
435 E SECOND ST.
CLAYTON, NC 27520
(919)-550-0109

PROJECT:	PALISADES 3 SHELL OFFICE BUILDING
LOCATION:	3401 TRINITY ROAD RALEIGH, NC 27607
EXTERIOR CURTAINWALL SUBMITTAL)	

DRAWN BY:	GL	DATE:	11/13/19
CHECKED BY:	JB	DATE:	11/13/19
JOB NO.:			

3.04



NO	DESCRIPTION	DATE
1	1ST REVISION, CW	12/23/19
1	1ST SUBMISSION, GL	11/13/19

CLAYTON COMMERCIAL GLAZING
 435 E SECOND ST.
 CLAYTON, NC 27520
 (919)-550-0109

PROJECT: PALISADES 3 SHELL OFFICE BUILDING
 LOCATION: 3401 TRINITY ROAD
 RALEIGH, NC 27607
 (EXTERIOR CURTAINWALL SUBMITTAL)

DRAWN BY:	DATE:
GL	11/13/19
CHECKED BY:	DATE:
JB	11/13/19
JOB NO.:	

3.05



3.06

JOB NO.:

GL 11/13/19
JB 11/13/19

DRAWN BY: DATE:
GL 11/13/19

PROJECT: PALISADES 3 SHELL OFFICE BUILDING

LOCATION: 3401 TRINITY ROAD

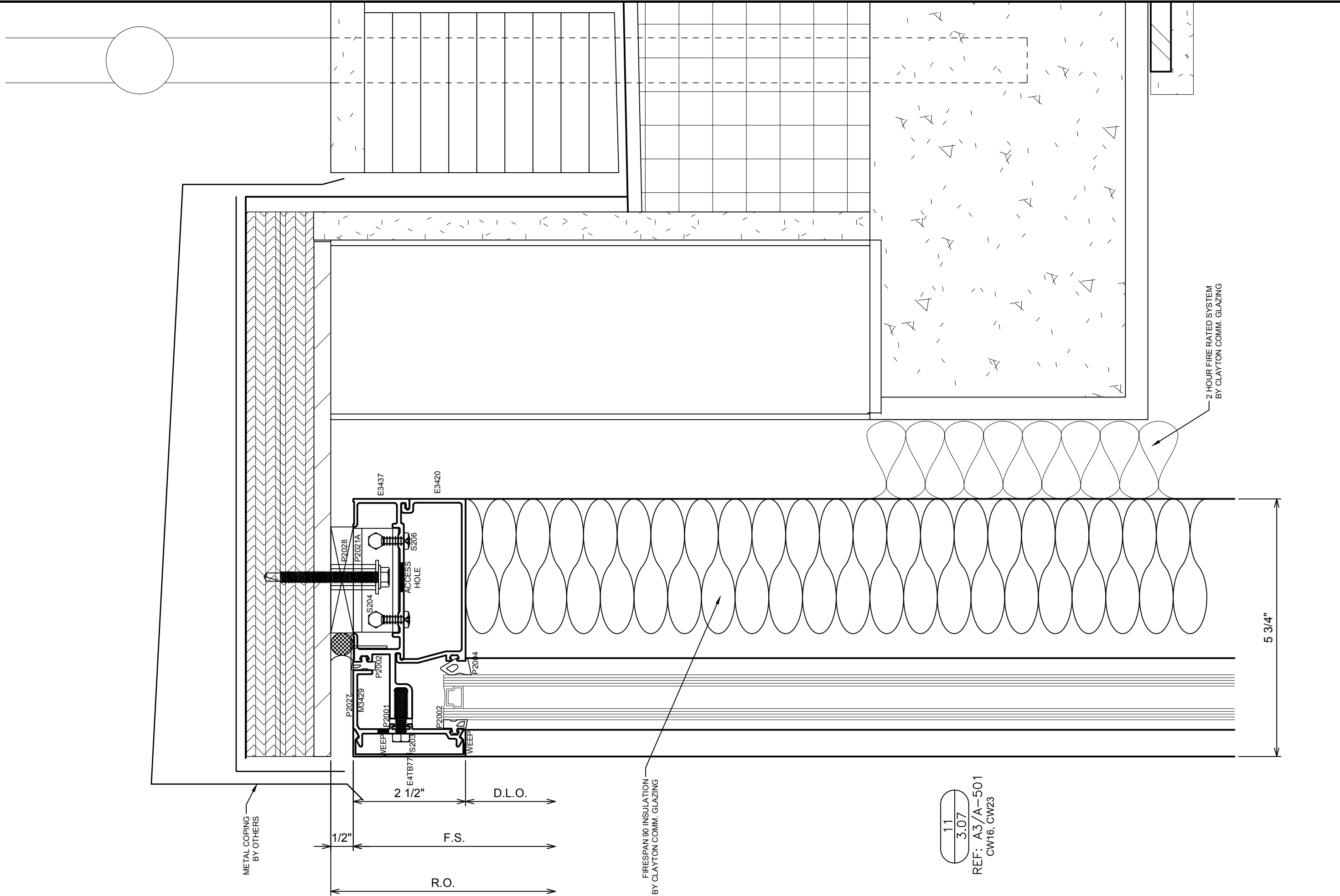
RALEIGH, NC 27607

(EXTERIOR CURTAINWALL SUBMITTAL)

CLAYTON COMMERCIAL GLAZING
435 E SECOND ST.
CLAYTON, NC 27520
(919)-550-0109

1ST REVISION, CW 12/23/19
1ST SUBMISSION, GL 11/13/19

NO DESCRIPTION DATE
DRAWING SUBMISSION



11
3.07

REF: A3/A-501
CW16, CW23

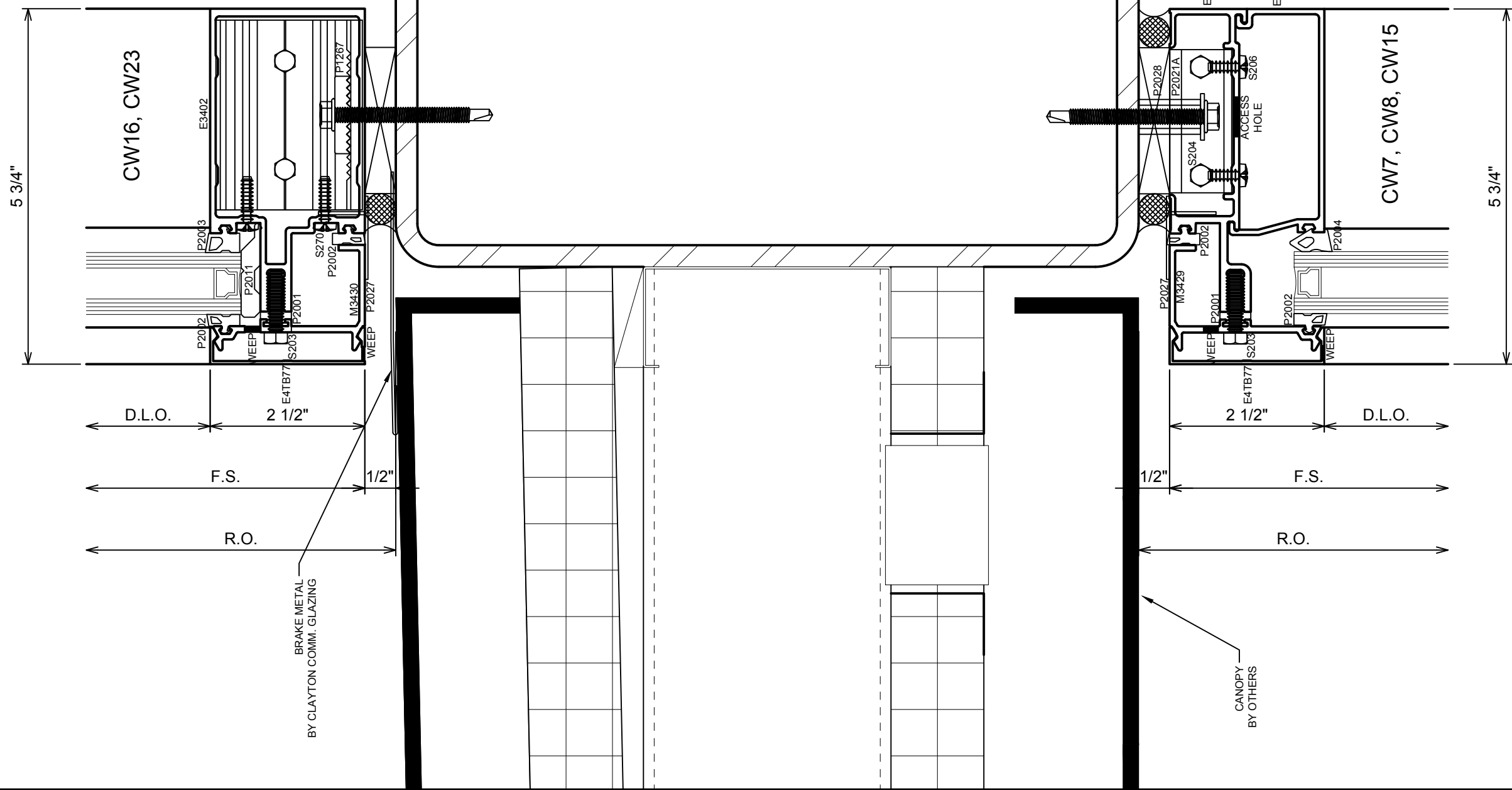
NO	DESCRIPTION	DATE
1	1ST REVISION, CW	12/23/19
2	1ST SUBMISSION, GL	11/13/19

CLAYTON COMMERCIAL GLAZING
 435 E SECOND ST.
 CLAYTON, NC 27520
 (919)-550-0109

PROJECT:	PALISADES 3 SHELL OFFICE BUILDING
LOCATION:	5401 TRINITY ROAD
	RALEIGH, NC 27607
	(EXTERIOR CURTAINWALL SUBMITTAL)

DRAWN BY:	GL	DATE:	11/13/19
CHECKED BY:	JB	DATE:	11/13/19
JOB NO.:			

3.07



12
3.08

REF: D1/A-501
CW7, CW8, CW15,
CW16, CW23

R.O.
F.S.
D.L.O.
2 1/2"
1/2"

R.O.
F.S.
D.L.O.
2 1/2"
1/2"

5 3/4"

5 3/4"

CW16, CW23

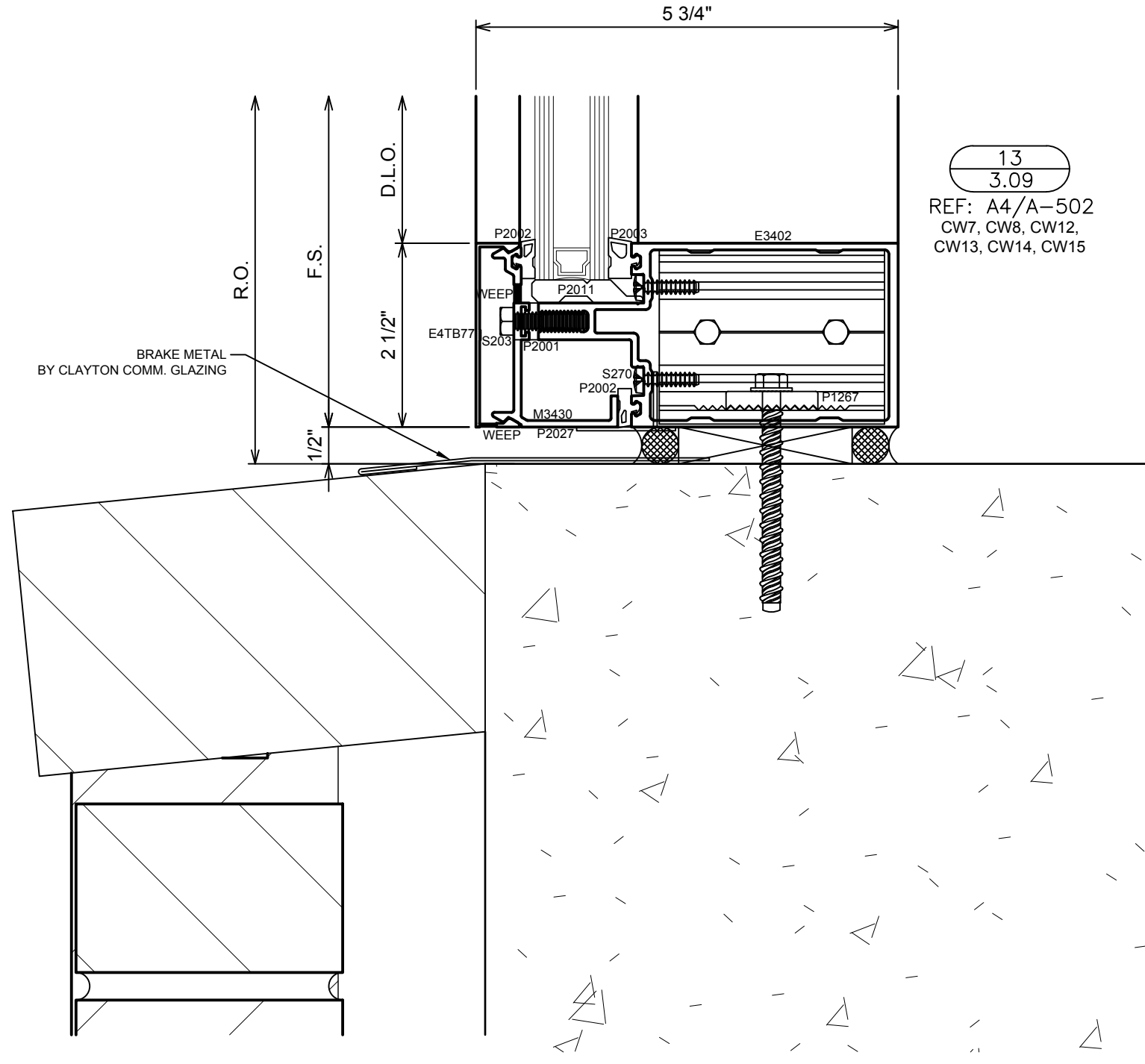
CW7, CW8, CW15

BRAKE METAL
BY CLAYTON COMM. GLAZING

CANOPY
BY OTHERS

PROJECT: PALISADES 3 SHELL OFFICE BUILDING		CLAYTON COMMERCIAL GLAZING	
LOCATION: 5401 TRINITY ROAD		435 E SECOND ST.	
RALEIGH, NC 27607		CLAYTON, NC 27520	
(EXTERIOR CURTAINWALL SUBMITTAL)		(919)-550-0109	
NO	DESCRIPTION	DATE	DRAWING SUBMISSION
12	12/23/19	12/23/19	
3.08	11/13/19	11/13/19	

3.08



13
3.09

REF: A4/A-502
CW7, CW8, CW12,
CW13, CW14, CW15

BRAKE METAL
BY CLAYTON COMM. GLAZING

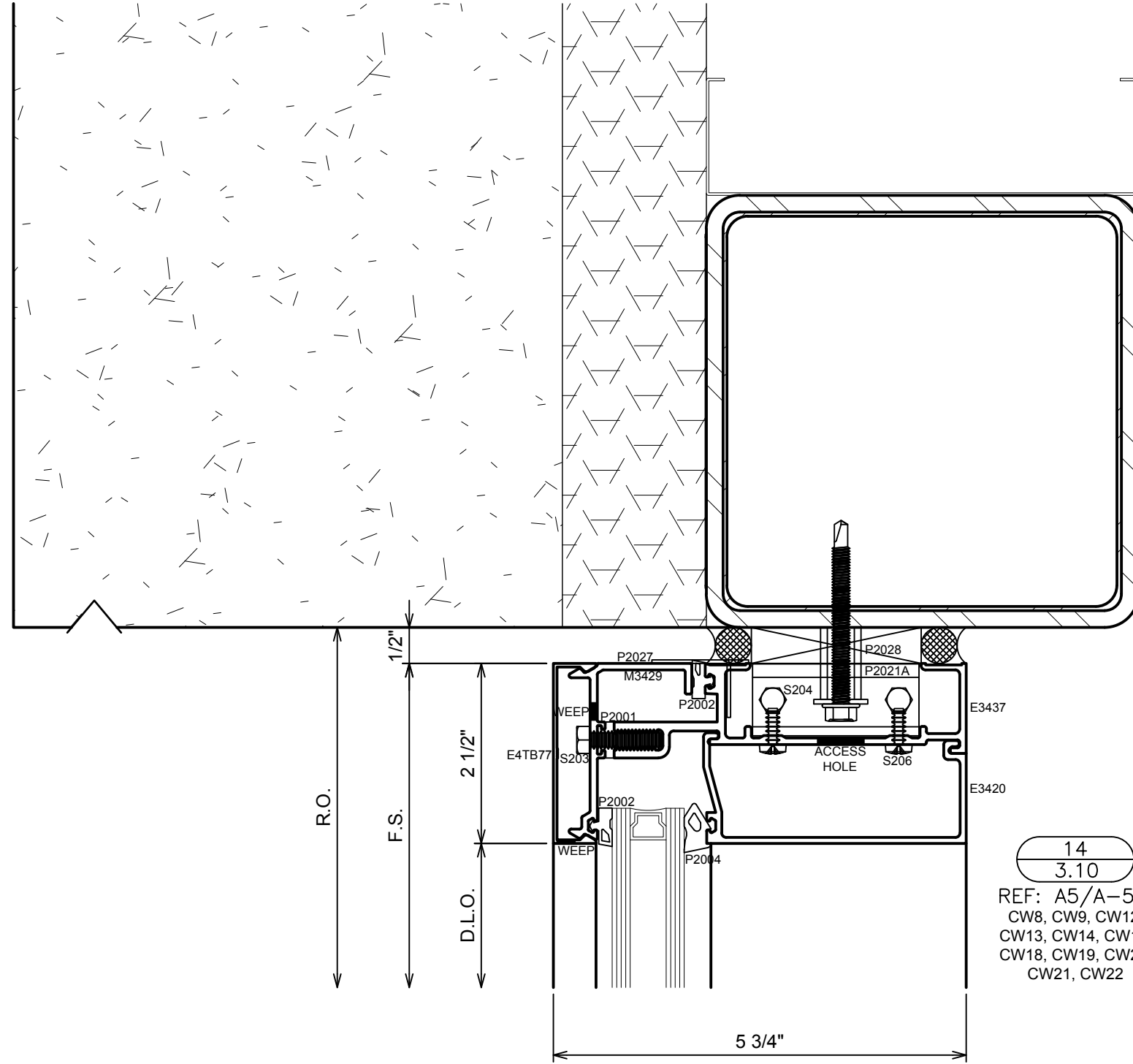
NO	DESCRIPTION	DATE

CLAYTON COMMERCIAL GLAZING
435 E SECOND ST.
CLAYTON, NC 27520
(919)-550-0109

PROJECT:	PALISADES 3 SHELL OFFICE BUILDING
LOCATION:	5401 TRINITY ROAD RALEIGH, NC 27607
(EXTERIOR CURTAINWALL SUBMITTAL)	

DRAWN BY:	GL	DATE:	11/13/19
CHECKED BY:	JB	DATE:	11/13/19
JOB NO.:			

3.09



NO	DESCRIPTION	DATE

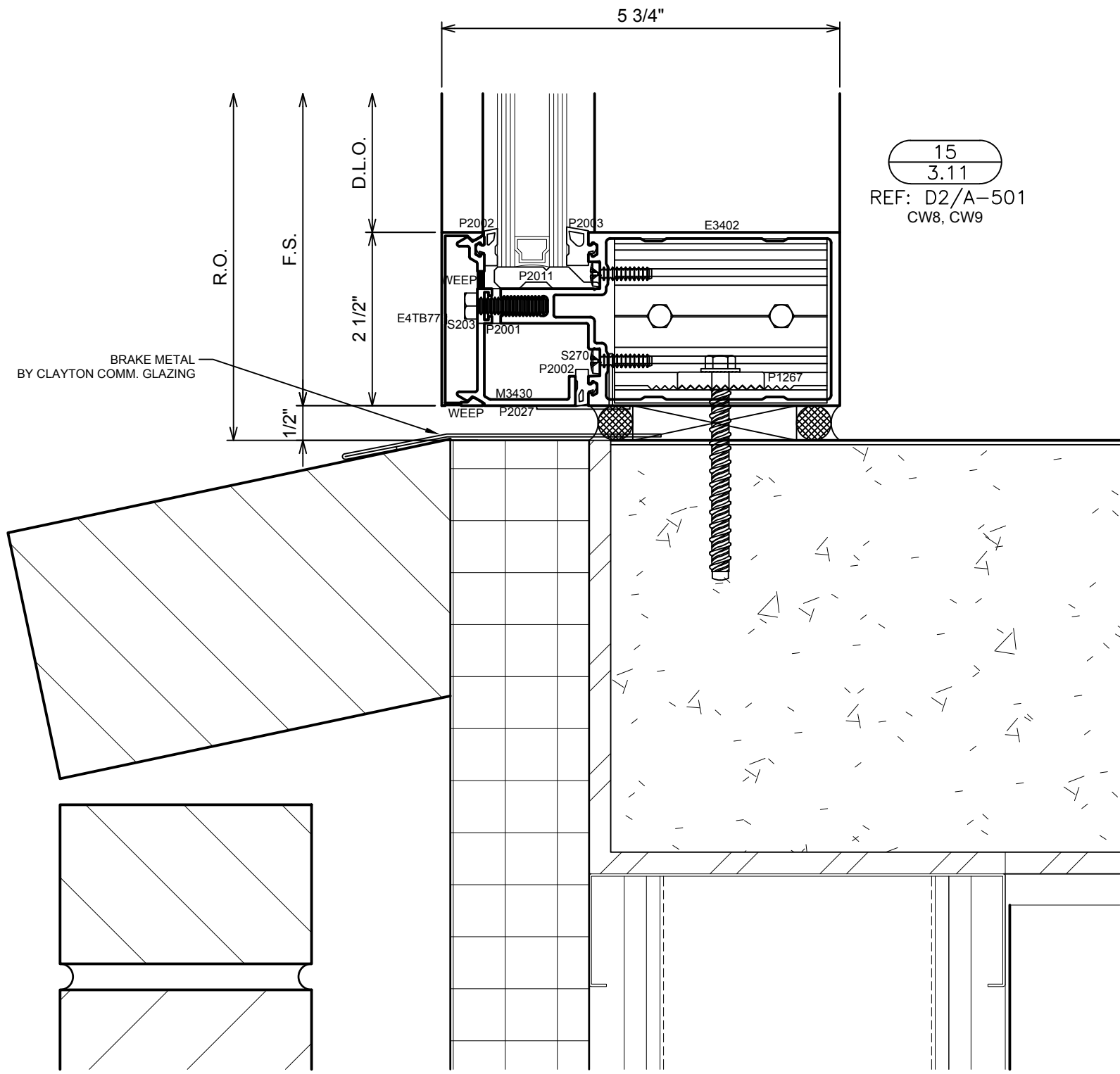
CLAYTON COMMERCIAL GLAZING
 435 E SECOND ST.
 CLAYTON, NC 27520
 (919)-550-0109

PROJECT: PALISADES 3 SHELL OFFICE BUILDING
 LOCATION: 3401 TRINITY ROAD
 RALEIGH, NC 27607
 (EXTERIOR CURTAINWALL SUBMITTAL)

GL	11/13/19
JB	11/13/19

JOB NO.: 3.10

DRAWING SUBMISSION



PROJECT: PALISADES 3 SHELL OFFICE BUILDING

LOCATION: 3401 TRINITY ROAD
RALEIGH, NC 27607

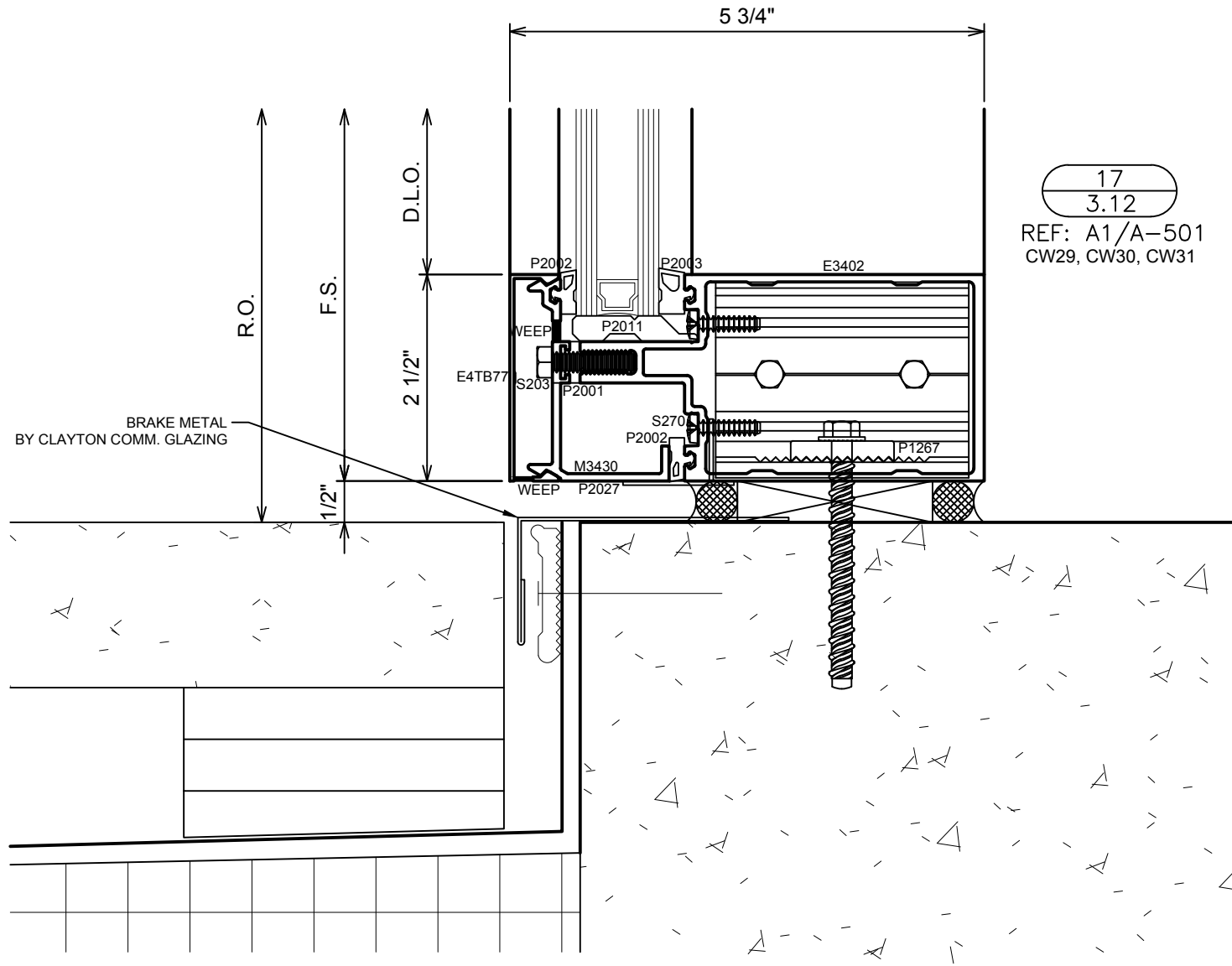
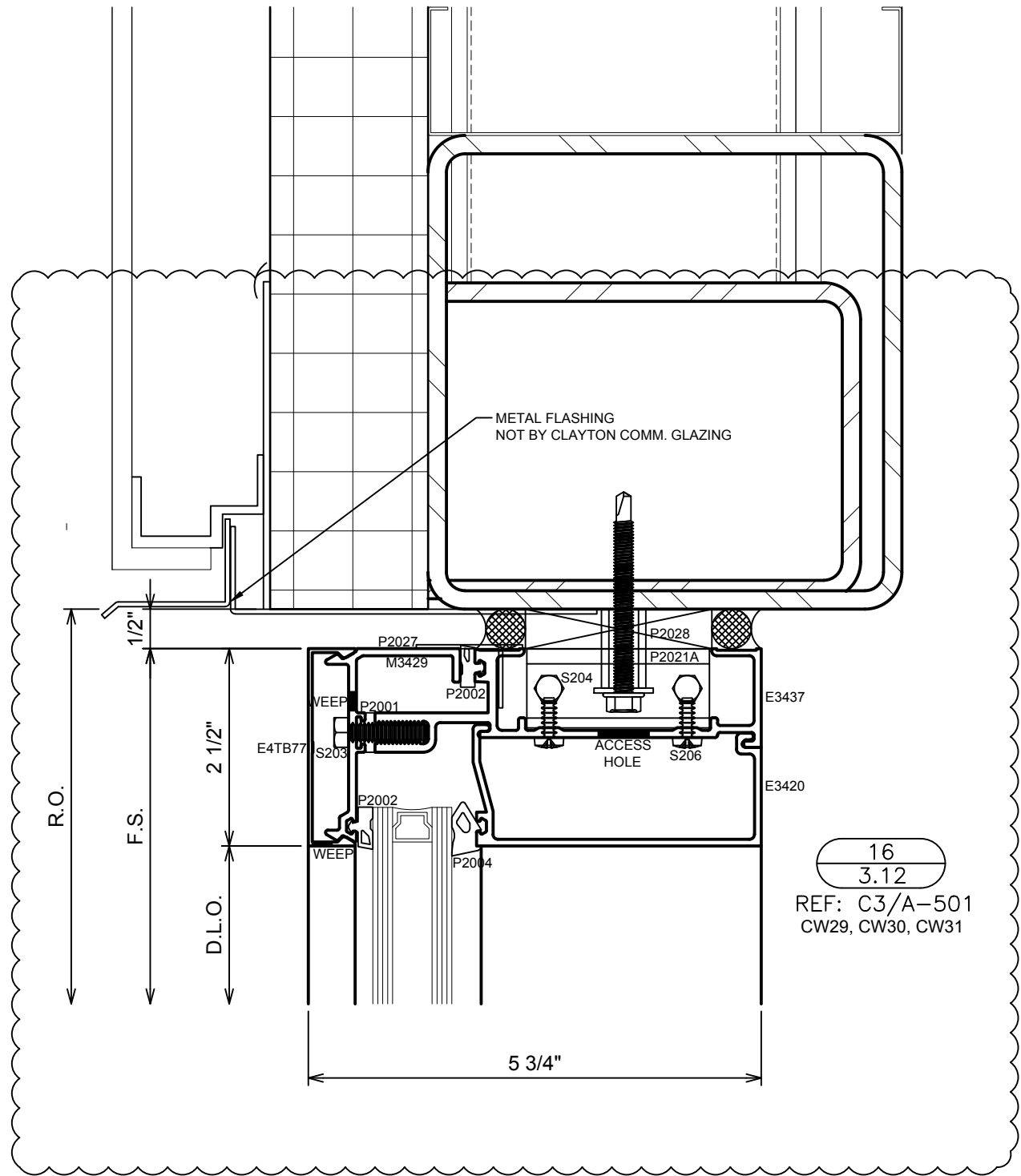
(EXTERIOR CURTAINWALL SUBMITTAL)

DRAWN BY: GL DATE: 11/13/19
CHECKED BY: JB DATE: 11/13/19

JOB NO.:

CLAYTON COMMERCIAL GLAZING
435 E SECOND ST.
CLAYTON, NC 27520
(919)-550-0109

NO	DESCRIPTION	DATE
1	1ST REVISION, CW	12/23/19
2	1ST SUBMISSION, GL	11/13/19



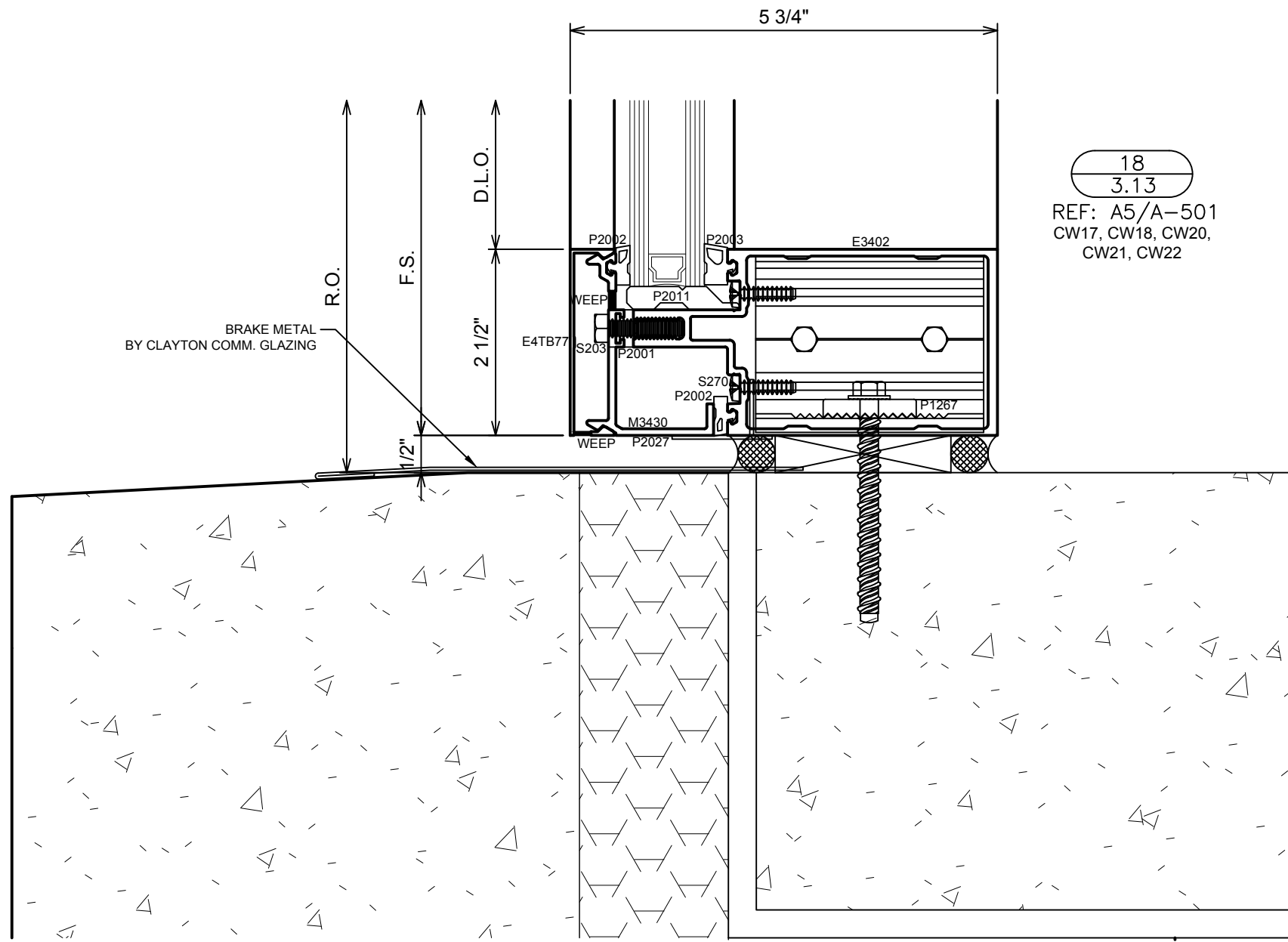
NO	DESCRIPTION	DATE
1	1ST SUBMISSION, GL	11/13/19
2	1ST REVISION, CW	12/23/19
DRAWING SUBMISSION		

CLAYTON COMMERCIAL GLAZING
435 E SECOND ST.
CLAYTON, NC 27520
(919)-550-0109

PROJECT: PALISADES 3 SHELL OFFICE BUILDING
LOCATION: 5401 TRINITY ROAD
RALEIGH, NC 27607
(EXTERIOR CURTAINWALL SUBMITTAL)

DRAWN BY:	DATE:
GL	11/13/19
CREATED BY:	DATE:
JB	11/13/19
JOB NO.:	

3.12



18
3.13
REF: A5/A-501
CW17, CW18, CW20,
CW21, CW22

PROJECT: PALISADES 3 SHELL OFFICE BUILDING
LOCATION: 3401 TRINITY ROAD
RALEIGH, NC 27607
(EXTERIOR CURTAINWALL SUBMITTAL)

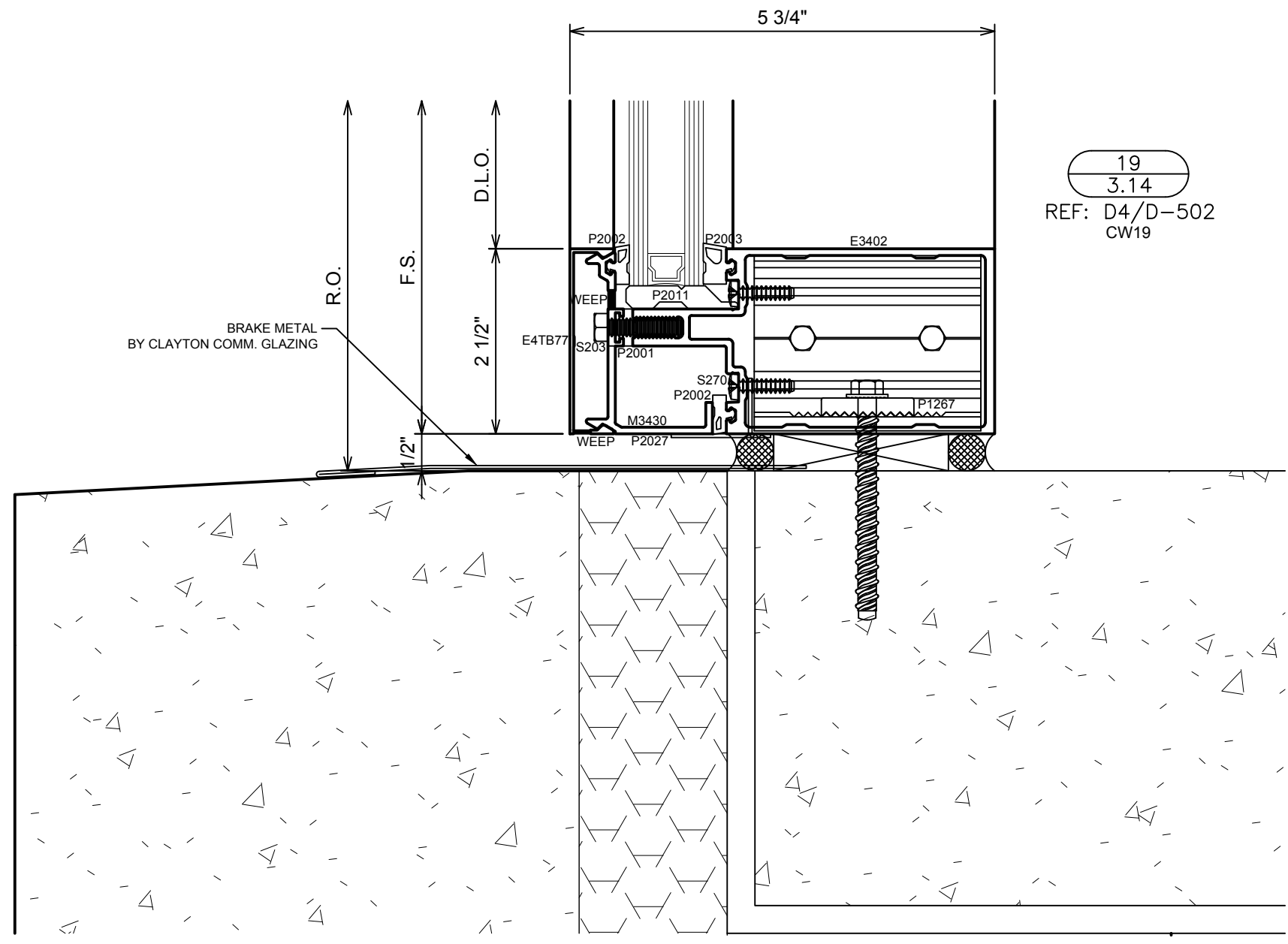
DRAWN BY: GL DATE: 11/13/19
CHECKED BY: JB DATE: 11/13/19
JOB NO.:

3.13

NO	DESCRIPTION	DATE
1	1ST REVISION, CW	12/23/19
2	1ST SUBMISSION, GL	11/13/19

CLAYTON COMMERCIAL GLAZING
435 E SECOND ST.
CLAYTON, NC 27520
(919)-550-0109

DRAWING SUBMISSION



19
3.14
REF: D4/D-502
CW19

BRAKE METAL
BY CLAYTON COMM. GLAZING

NO	DESCRIPTION	DATE
12/23/19	1ST REVISION, CW	
11/13/19	1ST SUBMISSION, GL	

CLAYTON COMMERCIAL GLAZING
435 E SECOND ST.
CLAYTON, NC 27520
(919)-550-0109

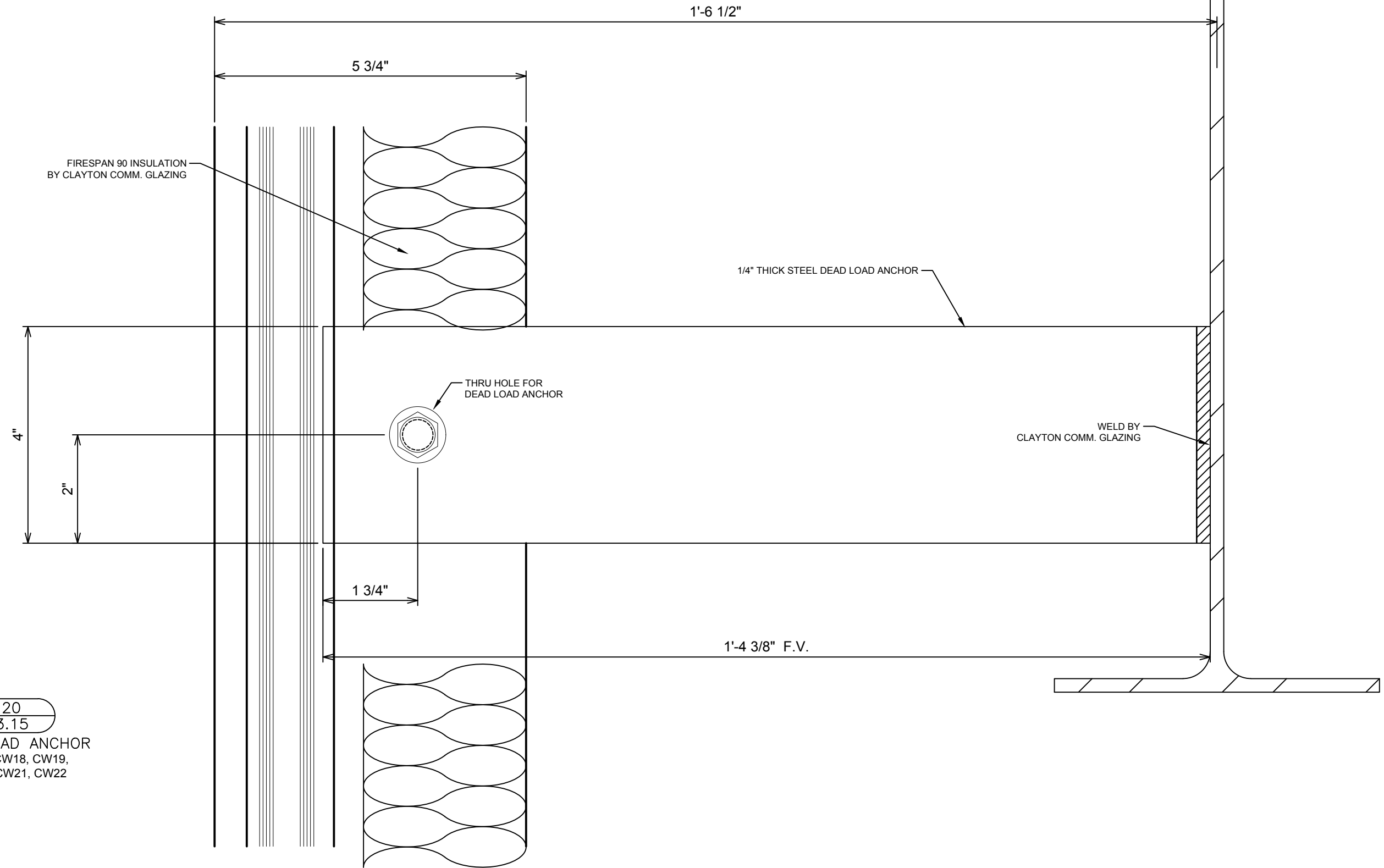
PROJECT: PALISADES 3 SHELL OFFICE BUILDING
LOCATION: 3401 TRINITY ROAD
RALEIGH, NC 27607
(EXTERIOR CURTAINWALL SUBMITTAL)

DRAWN BY: GL DATE: 11/13/19
CHECKED BY: JB DATE: 11/13/19
JOB NO.:

3.14

DRAWING SUBMISSION

DEAD LOAD ANCHOR
 CW17, CW18, CW19,
 CW20, CW21, CW22



PROJECT: PALISADES 3 SHELL OFFICE BUILDING
 LOCATION: 5401 TRINITY ROAD
 RALEIGH, NC 27607
 (EXTERIOR CURTAINWALL SUBMITTAL)

DRAWN BY: GL DATE: 11/13/19
 CHECKED BY: JB DATE: 11/13/19
 JOB NO.:

3.15

NO	DESCRIPTION	DATE
	1ST REVISION, CW	12/23/19
	1ST SUBMISSION, GL	11/13/19

CLAYTON COMMERCIAL GLAZING
 435 E SECOND ST.
 CLAYTON, NC 27520
 (919)-550-0109

WELD BY
 CLAYTON COMM. GLAZING

PROJECT: PALISADES 3 SHELL OFFICE BUILDING
 LOCATION: 5401 TRINITY ROAD
 RALEIGH, NC 27607
 (EXTERIOR CURTAINWALL SUBMITTAL)

DRAWN BY: GL DATE: 11/13/19
 CHECKED BY: JB DATE: 11/13/19
 JOB NO.:

3.15

NO	DESCRIPTION	DATE
	1ST REVISION, CW	12/23/19
	1ST SUBMISSION, GL	11/13/19

CLAYTON COMMERCIAL GLAZING
 435 E SECOND ST.
 CLAYTON, NC 27520
 (919)-550-0109

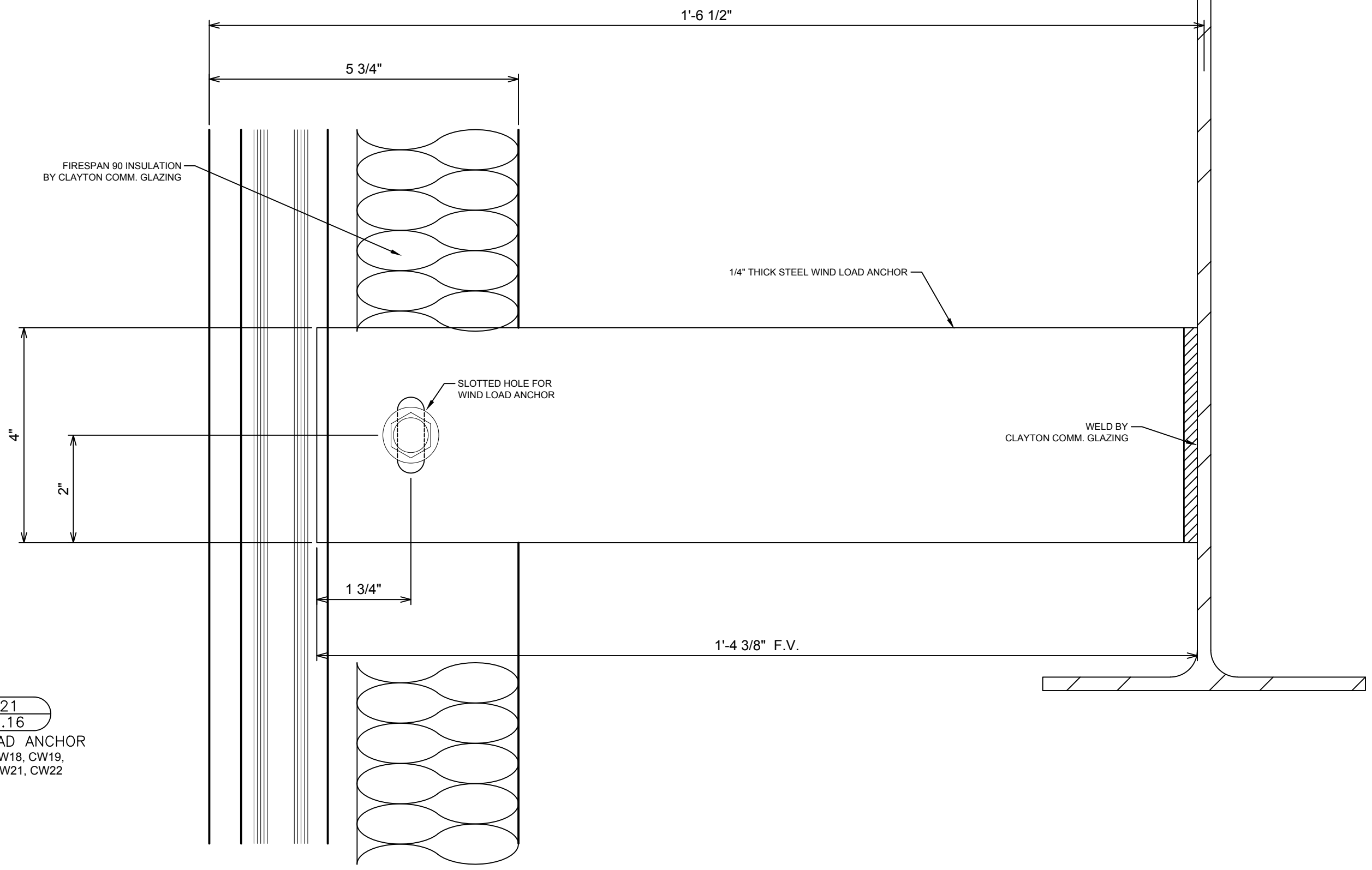
WELD BY
 CLAYTON COMM. GLAZING

PROJECT: PALISADES 3 SHELL OFFICE BUILDING
 LOCATION: 5401 TRINITY ROAD
 RALEIGH, NC 27607
 (EXTERIOR CURTAINWALL SUBMITTAL)

DRAWN BY: GL DATE: 11/13/19
 CHECKED BY: JB DATE: 11/13/19
 JOB NO.:

3.15

21
3.16
 WIND LOAD ANCHOR
 CW17, CW18, CW19,
 CW20, CW21, CW22



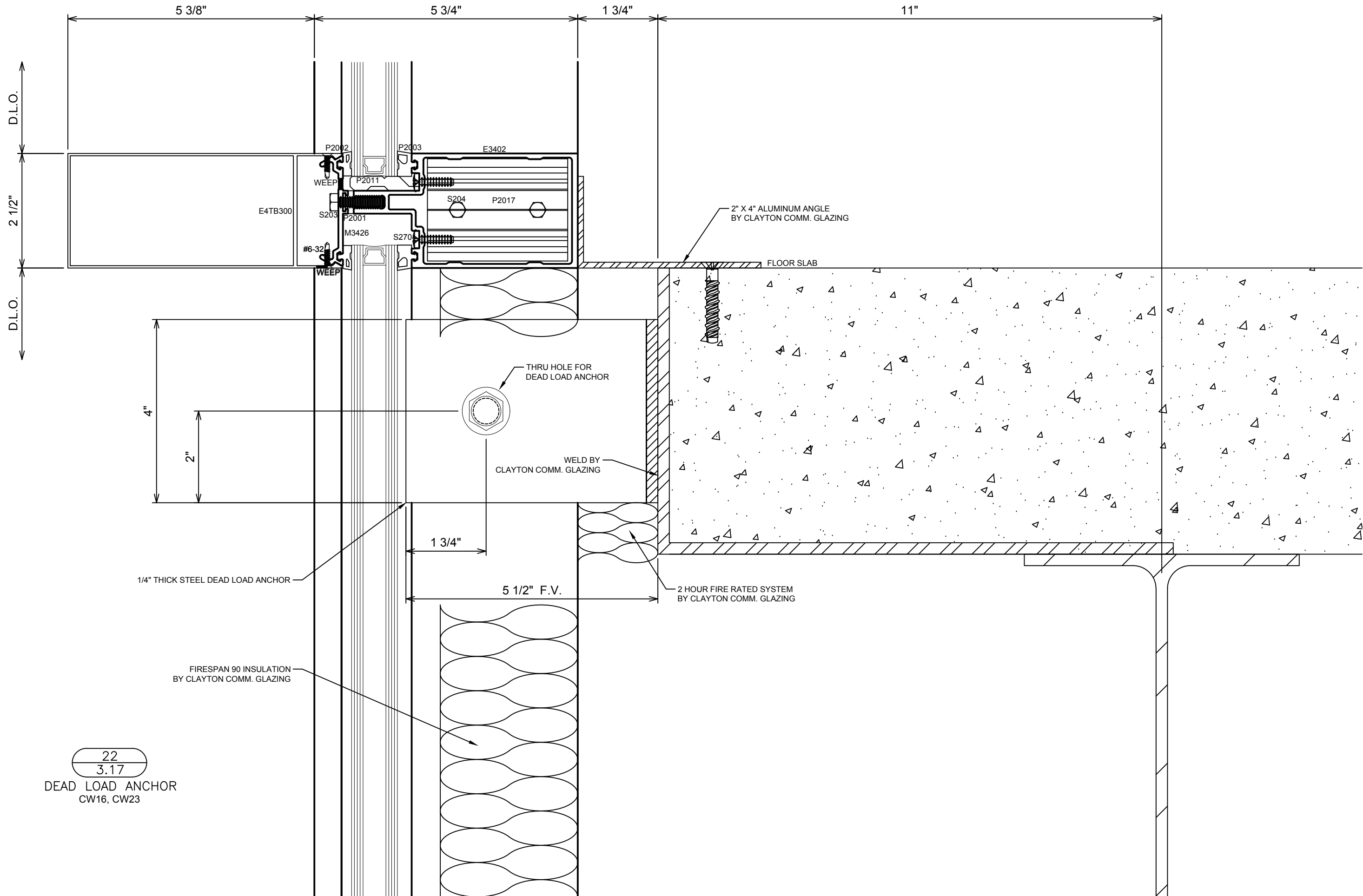
NO	DESCRIPTION	DATE
12/23/19	1ST REVISION, CW	
11/13/19	1ST SUBMISSION, GL	

CLAYTON COMMERCIAL GLAZING
 435 E SECOND ST.
 CLAYTON, NC 27520
 (919) -550-0109

PROJECT: PALISADES 3 SHELL OFFICE BUILDING
 LOCATION: 3401 TRINITY ROAD
 RALEIGH, NC 27607
 (EXTERIOR CURTAINWALL SUBMITTAL)

GL	11/13/19
JB	11/13/19
JOB NO.:	

3.16



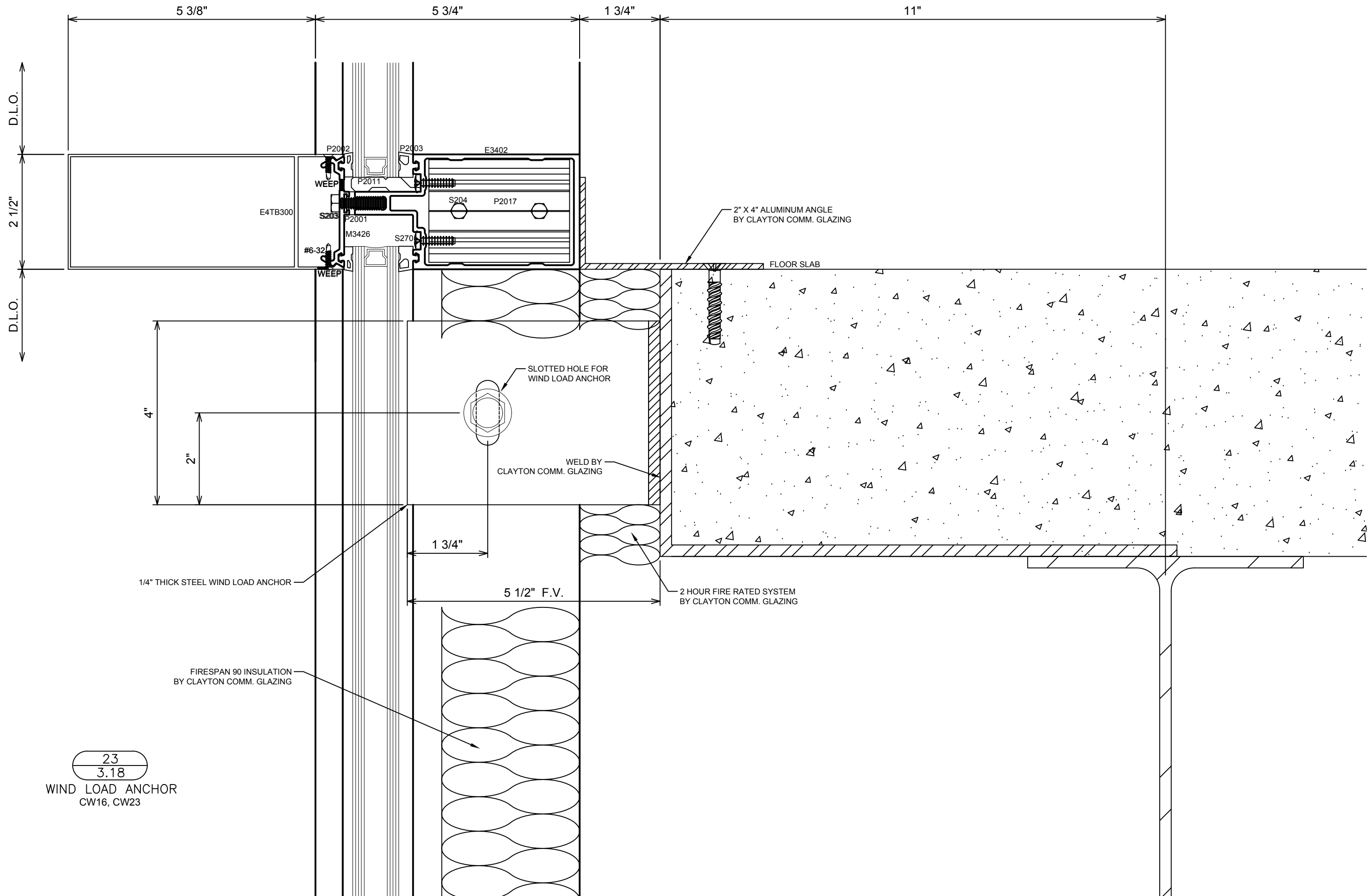
22
 3.17
 DEAD LOAD ANCHOR
 CW16, CW23

NO	DESCRIPTION	DATE
1	1ST SUBMISSION, GL	11/13/19
2	1ST REVISION, CW	12/23/19
DRAWING SUBMISSION		

CLAYTON COMMERCIAL GLAZING
 435 E SECOND ST.
 CLAYTON, NC 27520
 (919)-550-0109

PROJECT: PALISADES 3 SHELL OFFICE BUILDING
 LOCATION: 3401 TRINITY ROAD
 RALEIGH, NC 27607
 (EXTERIOR CURTAINWALL SUBMITTAL)

DRAWN BY:	DATE:
GL	11/13/19
CHECKED BY:	DATE:
JB	11/13/19
JOB NO.:	



23
3.18
 WIND LOAD ANCHOR
 CW16, CW23

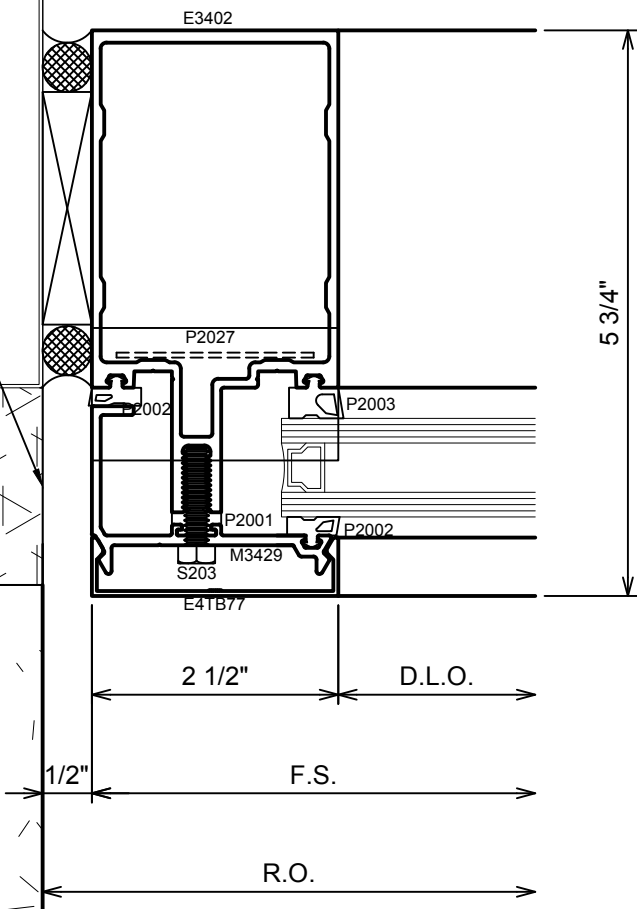
NO	DESCRIPTION	DATE

CLAYTON COMMERCIAL GLAZING
 435 E SECOND ST.
 CLAYTON, NC 27520
 (919)-550-0109

PROJECT: PALISADES 3 SHELL OFFICE BUILDING
 LOCATION: 3401 TRINITY ROAD
 RALEIGH, NC 27607
 (EXTERIOR CURTAINWALL SUBMITTAL)

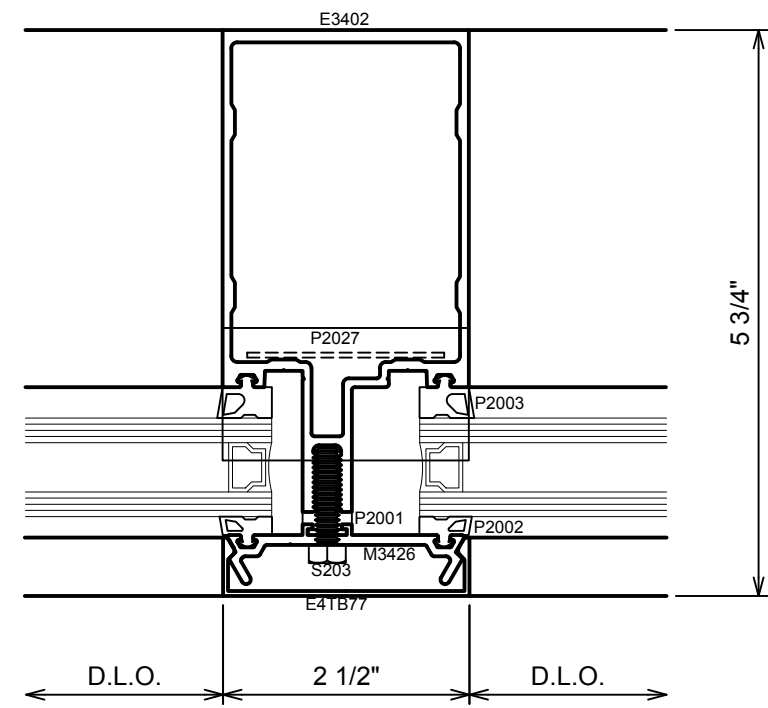
DRAWN BY: GL	DATE: 11/13/19
CHECKED BY: JB	DATE: 11/13/19
JOB NO.:	

NOTE TO ARCHITECT / GC
PLEASE VERIFY CLOSURE CONDITION
AT ROUGH CUT EDGE OF INSULATION.



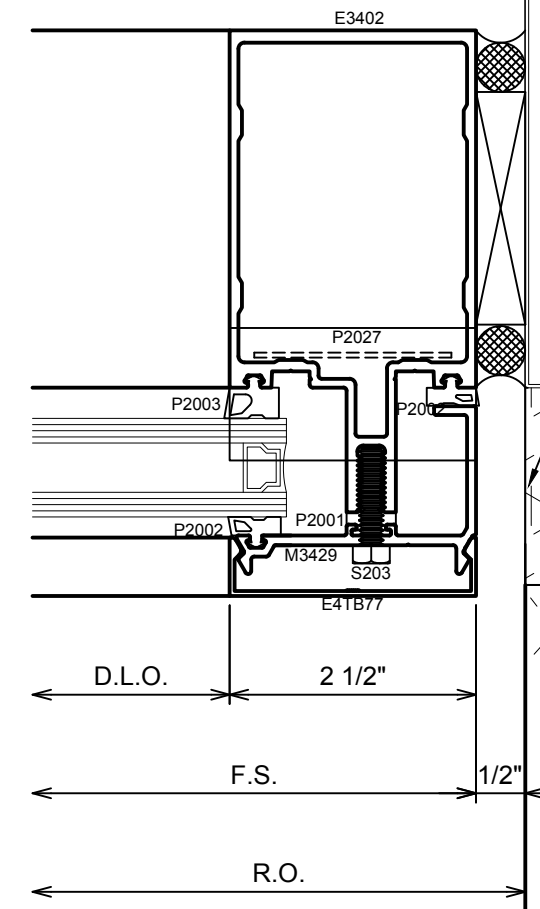
27
3.20

REF: D1/A-502
CW17, CW18, CW19, CW20,
CW21, CW22, CW29



28
3.20

REF: NA
TYPICAL AS OCCURS



29
3.20

REF: D1/A-502
CW16, CW17, CW18,
CW19, CW20, CW21,
CW22, CW29, CW31

NOTE TO ARCHITECT / GC
PLEASE VERIFY CLOSURE CONDITION
AT ROUGH CUT EDGE OF INSULATION.

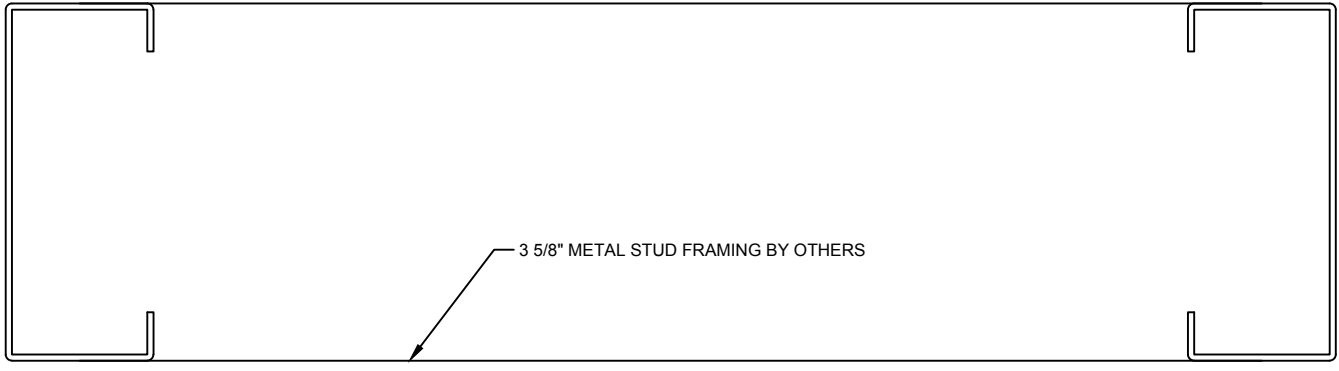
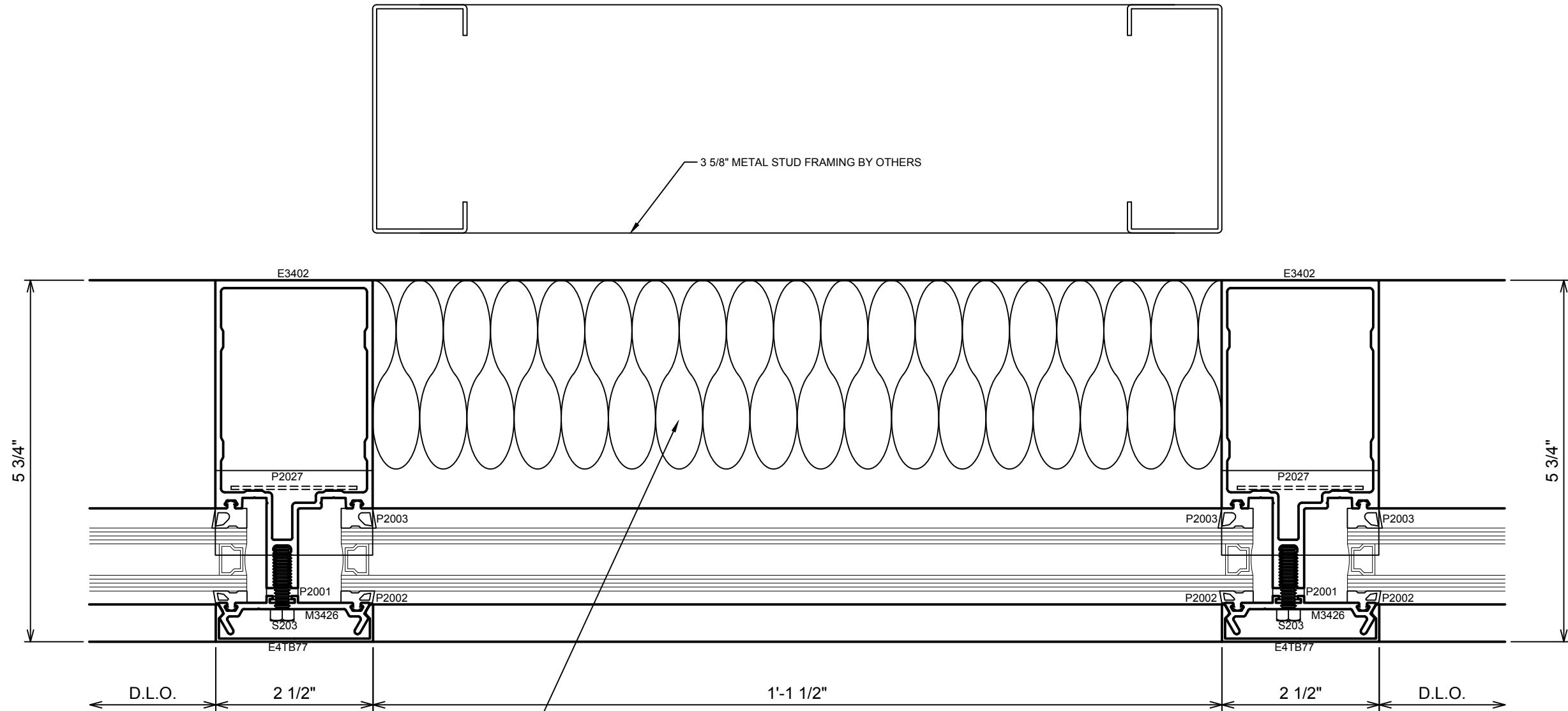
NO	DESCRIPTION	DATE
1	1ST SUBMISSION, GL	11/13/19
2	1ST REVISION, CW	12/23/19
DRAWING SUBMISSION		

CLAYTON COMMERCIAL GLAZING
435 E SECOND ST.
CLAYTON, NC 27520
(919)-550-0109

PROJECT: PALISADES 3 SHELL OFFICE BUILDING
LOCATION: 5401 TRINITY ROAD
RALEIGH, NC 27607
(EXTERIOR CURTAINWALL SUBMITTAL)

DRAWN BY:	DATE:
GL	11/13/19
CHECKED BY:	DATE:
JB	11/13/19
JOB NO.:	

3.20



30
 3.21
 REF: A3/A-502
 CW1, CW2, CW3, CW4,
 CW8, CW9, CW12, CW13, CW14

3" ROCK WOOL
 FOIL FACED INSULATION
 BY CLAYTON COMM. GLAZING

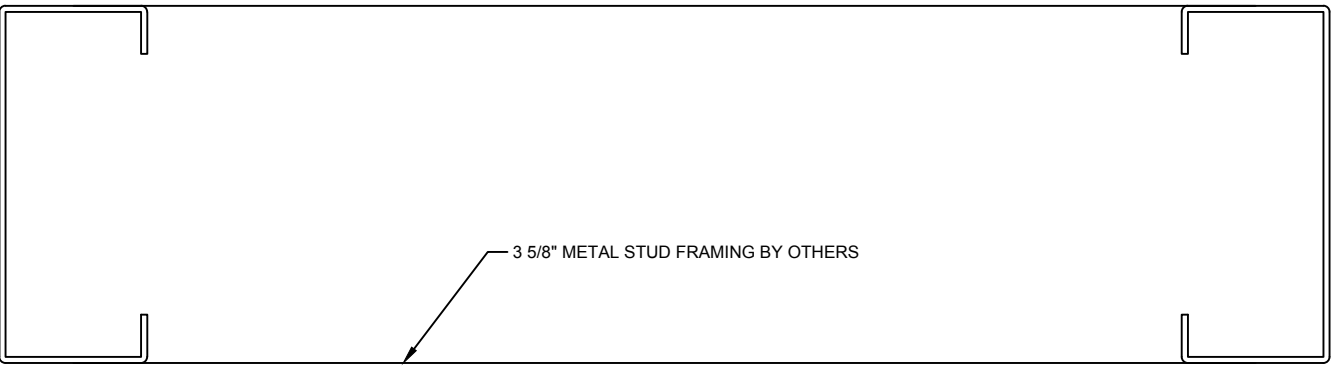
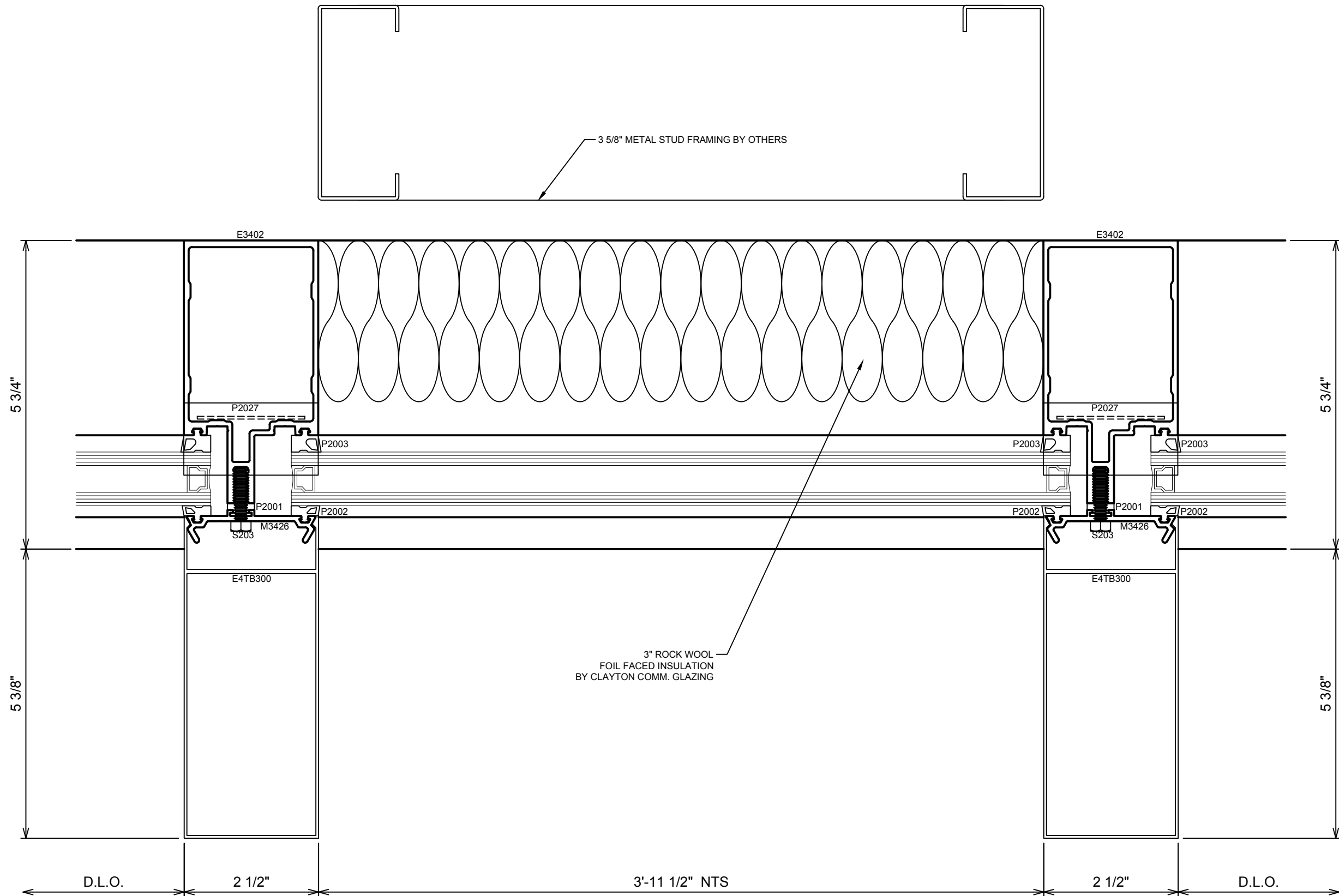
NO	DESCRIPTION	DATE
1	1ST REVISION, CW	12/23/19
2	1ST SUBMISSION, GL	11/13/19

CLAYTON COMMERCIAL GLAZING
 435 E SECOND ST.
 CLAYTON, NC 27520
 (919)-550-0109

PROJECT: PALISADES 3 SHELL OFFICE BUILDING
 LOCATION: 3401 TRINITY ROAD
 RALEIGH, NC 27607
 (EXTERIOR CURTAINWALL SUBMITTAL)

DRAWN BY:	GL	DATE:	11/13/19
CHECKED BY:	JB	DATE:	11/13/19
JOB NO.:			

3.21



3" ROCK WOOL
FOIL FACED INSULATION
BY CLAYTON COMM. GLAZING

31
3.22
REF: A3/A-502
CW17, CW18, CW19,
CW20, CW21, CW22

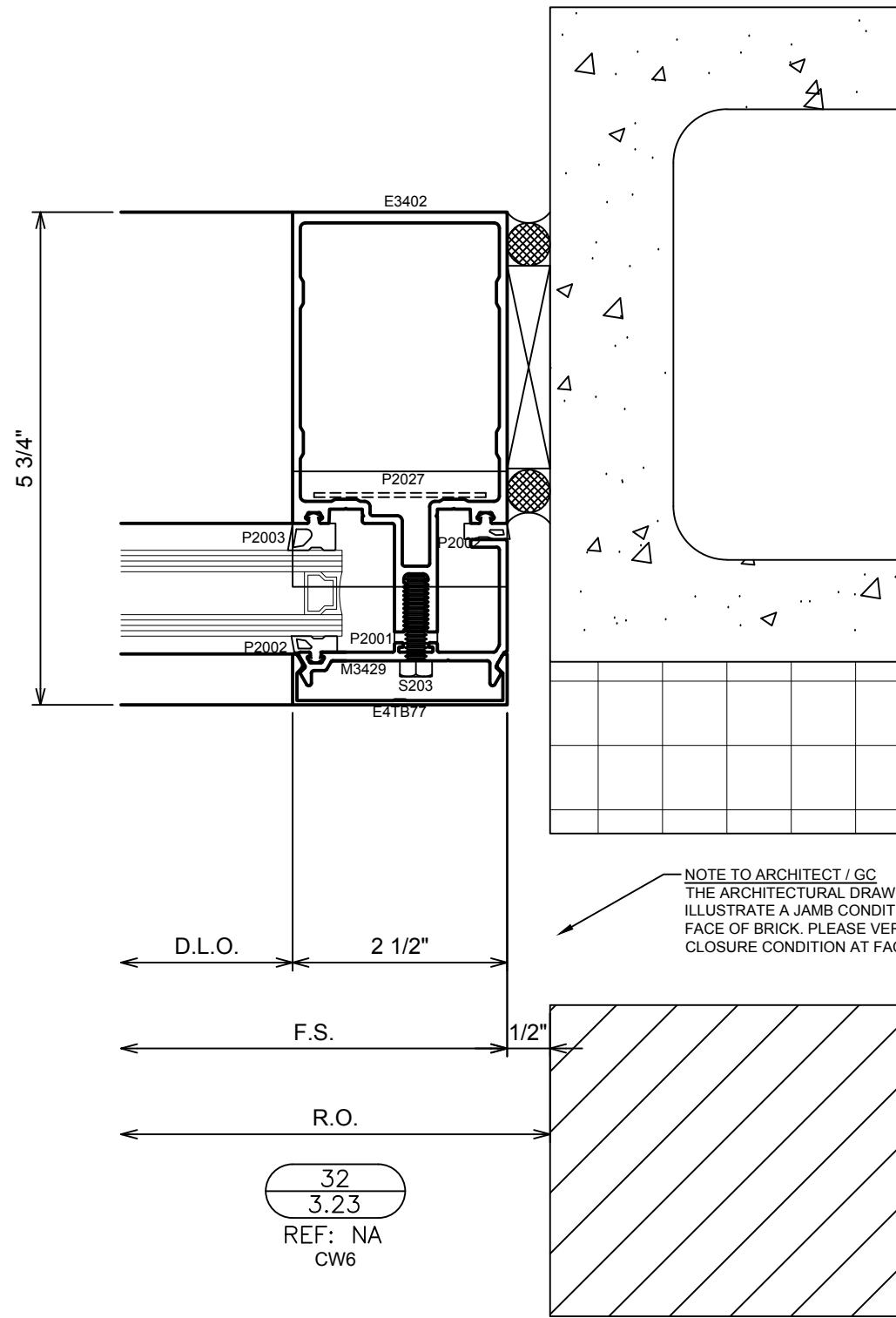
NO	DESCRIPTION	DATE
1	1ST REVISION, CW	12/23/19
2	1ST SUBMISSION, GL	11/13/19

CLAYTON COMMERCIAL GLAZING
435 E SECOND ST.
CLAYTON, NC 27520
(919)-550-0109

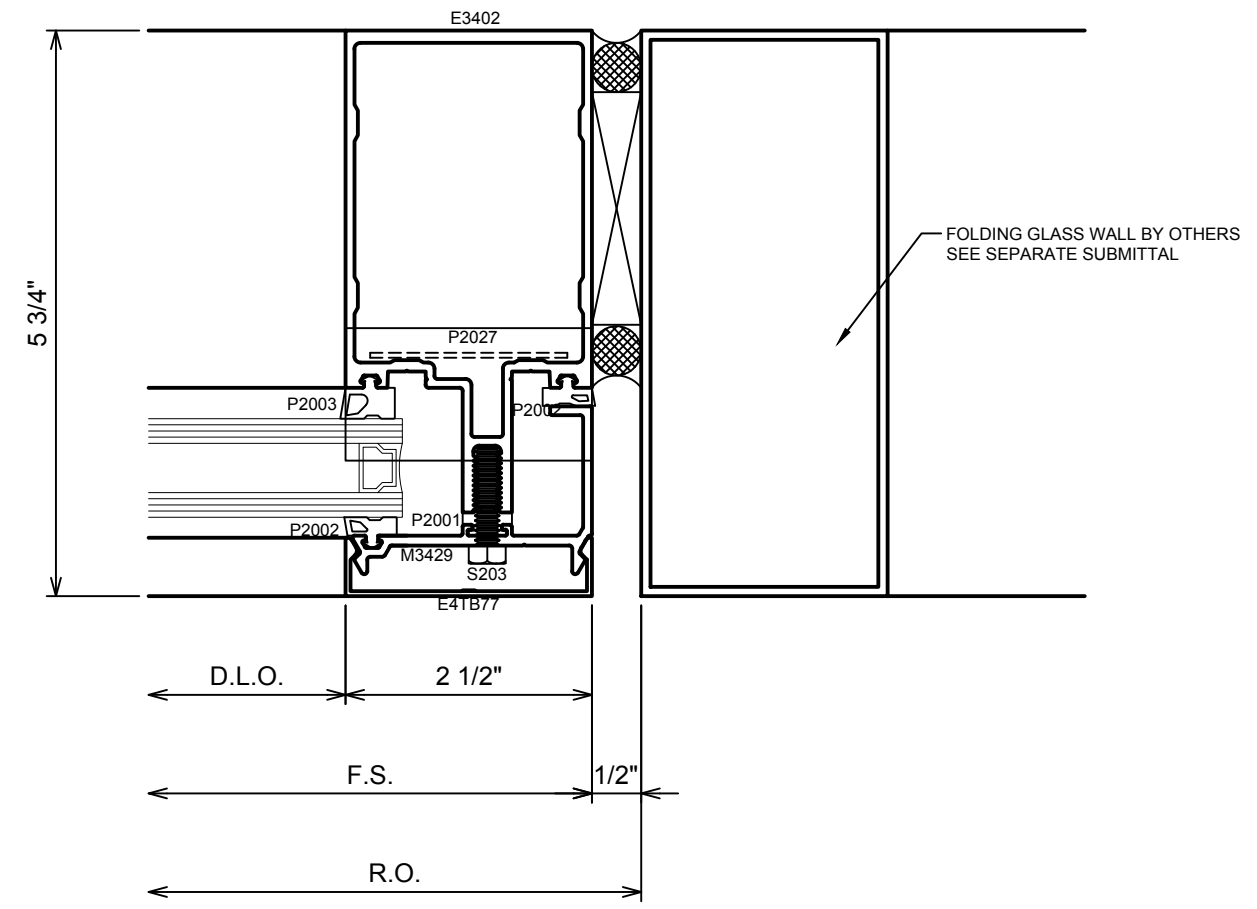
PROJECT: PALISADES 3 SHELL OFFICE BUILDING
LOCATION: 5401 TRINITY ROAD
RALEIGH, NC 27607
(EXTERIOR CURTAINWALL SUBMITTAL)

DRAWN BY:	DATE:
GL	11/13/19
CHECKED BY:	DATE:
JB	11/13/19

JOB NO.:
3.22



32
3.23
REF: NA
CW6



33
3.23
REF: NA
CW5

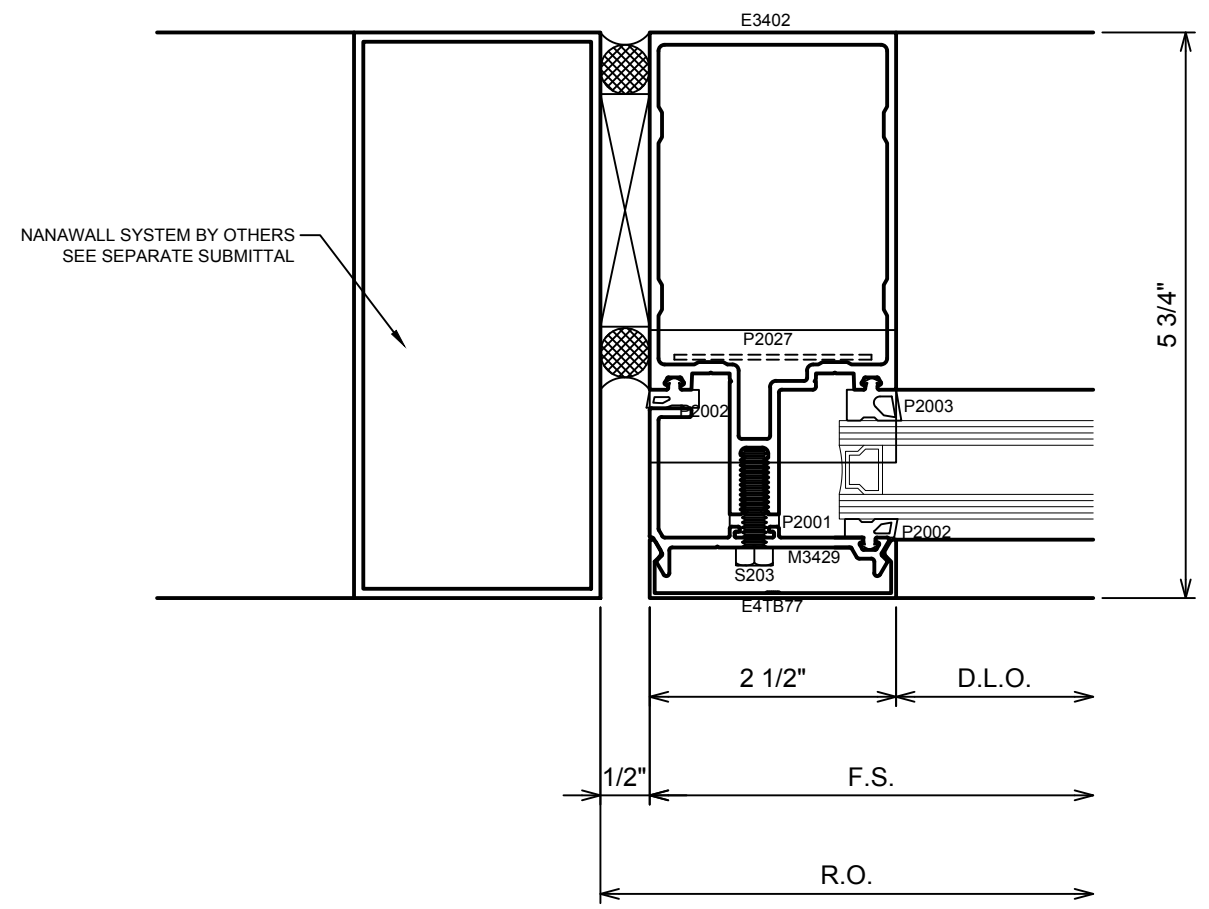
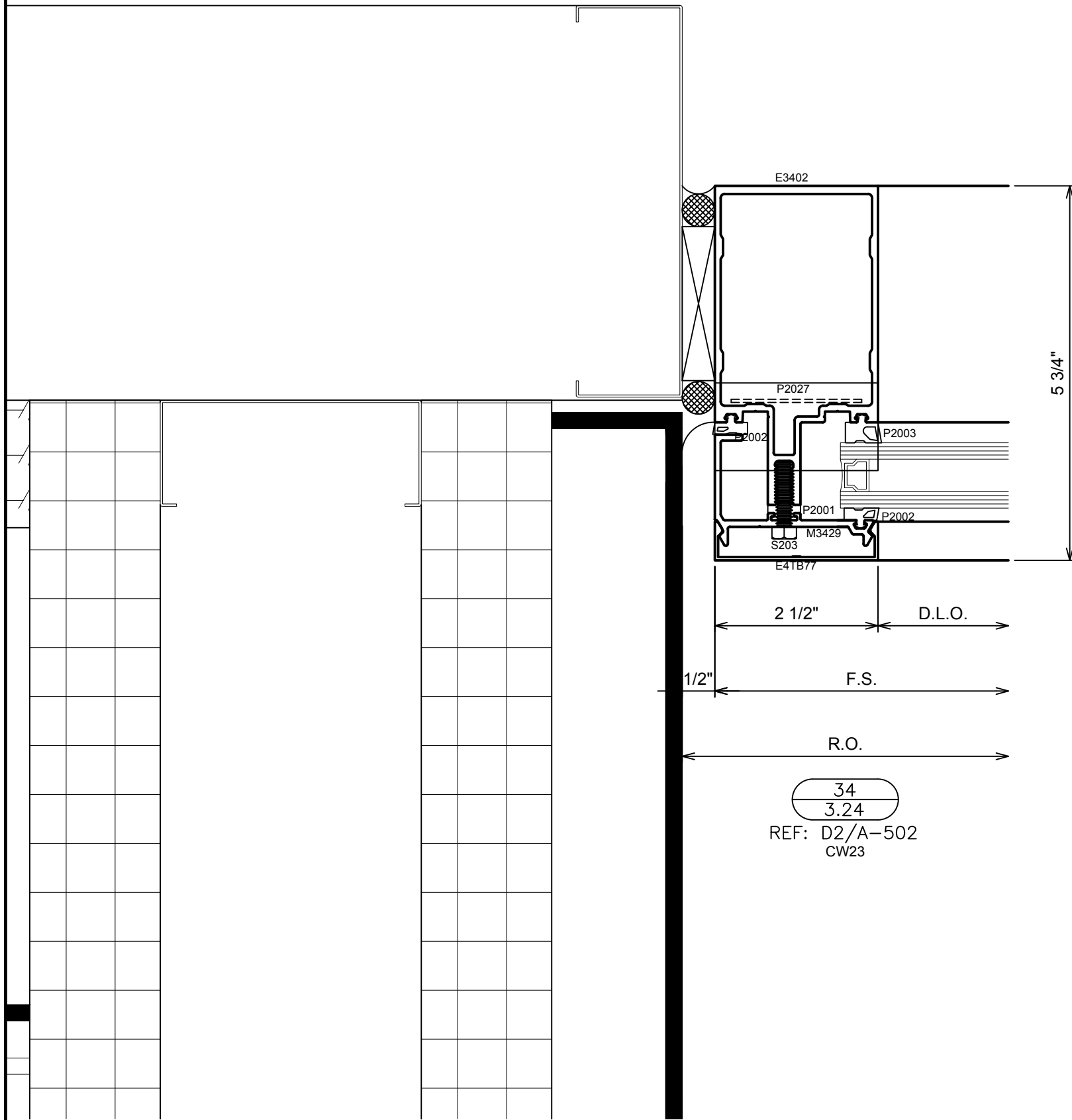
NO	DESCRIPTION	DATE
1	1ST REVISION, CW	12/23/19
2	1ST SUBMISSION, GL	11/13/19

CLAYTON COMMERCIAL GLAZING
435 E SECOND ST.
CLAYTON, NC 27520
(919)-550-0109

PROJECT:	PALISADES 3 SHELL OFFICE BUILDING
LOCATION:	5401 TRINITY ROAD RALEIGH, NC 27607
DESCRIPTION:	(EXTERIOR CURTAINWALL SUBMITTAL)

DRAWN BY:	GL	DATE:	11/13/19
CHECKED BY:	JB	DATE:	11/13/19

JOB NO.:
3.23



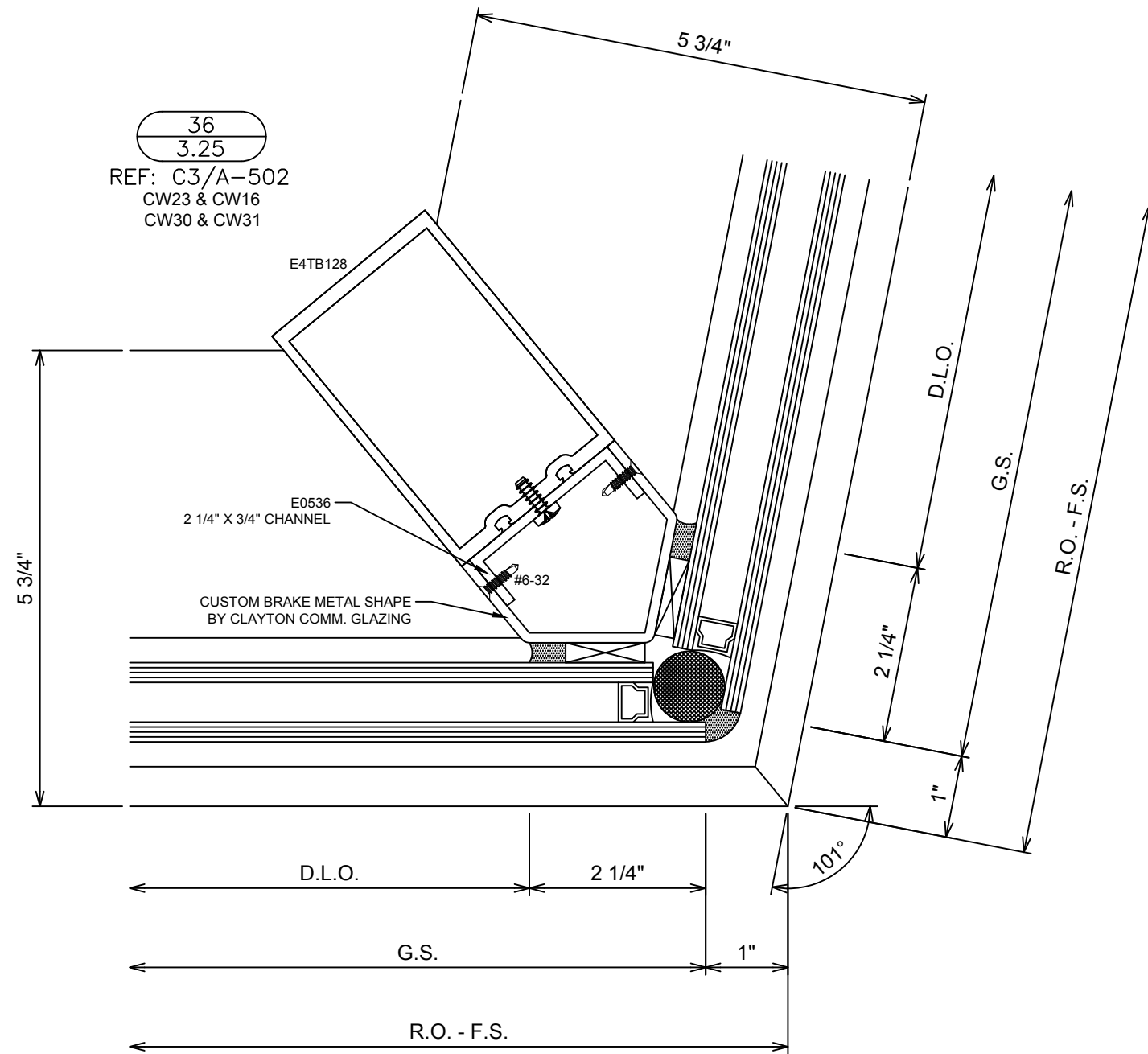
NO	DESCRIPTION	DATE
1	1ST REVISION, CW	12/23/19
2	1ST SUBMISSION, GL	11/13/19

CLAYTON COMMERCIAL GLAZING
 435 E SECOND ST.
 CLAYTON, NC 27520
 (919)-550-0109

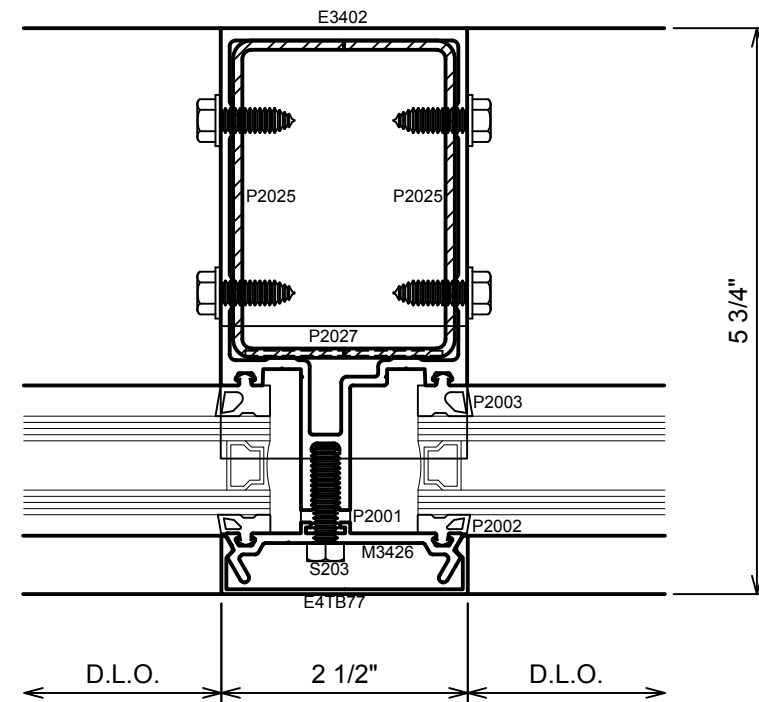
PROJECT:	PALISADES 3 SHELL OFFICE BUILDING
LOCATION:	5401 TRINITY ROAD RALEIGH, NC 27607
EXTERIOR CURTAINWALL SUBMITTAL	

DRAWN BY:	GL	DATE:	11/13/19
CHECKED BY:	JB	DATE:	11/13/19
JOB NO.:			

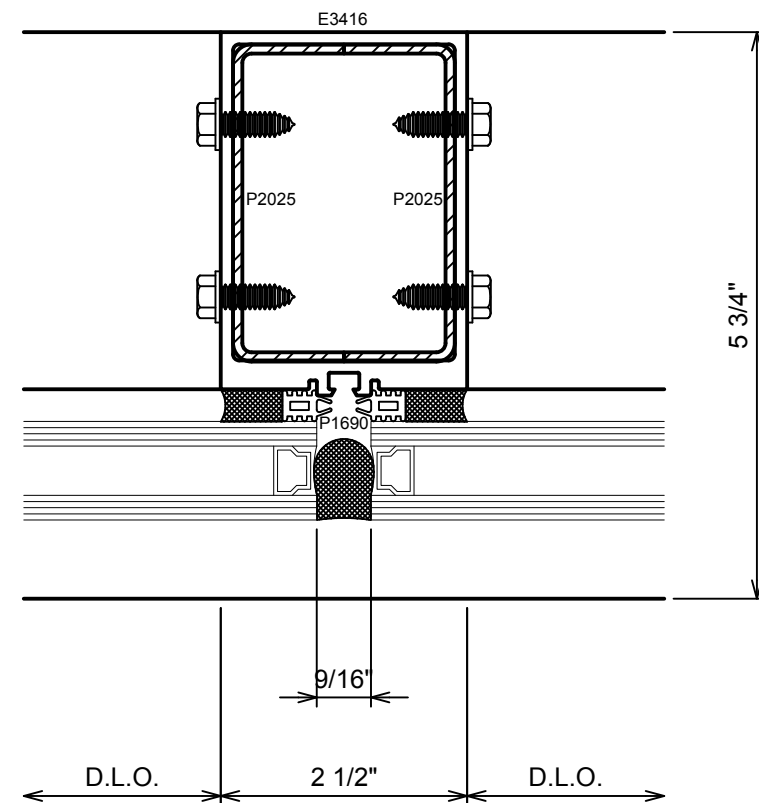
3.24



36
3.25
REF: C3/A-502
CW23 & CW16
CW30 & CW31



37
3.25
WORKING SPLICE
TYPICAL AS OCCURS
3 5/8" CAPTURED MULLION



38
3.25
WORKING SPLICE
TYPICAL AS OCCURS
3 5/8" SSG MULLION

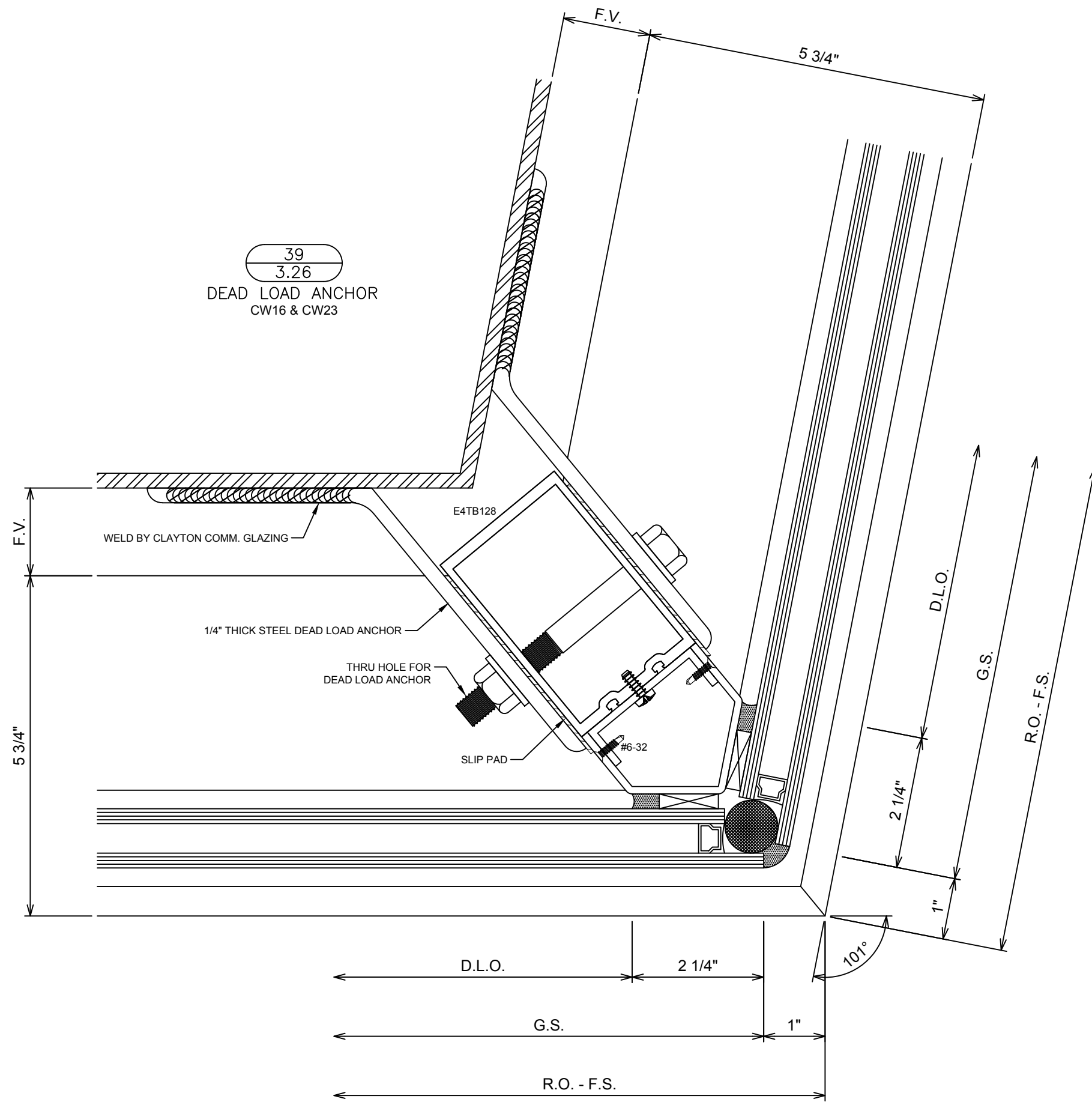
NO	DESCRIPTION	DATE
1	1ST REVISION, CW	12/23/19
2	1ST SUBMISSION, GL	11/13/19

CLAYTON COMMERCIAL GLAZING
435 E SECOND ST.
CLAYTON, NC 27520
(919)-550-0109

PROJECT:	PALISADES 3 SHELL OFFICE BUILDING
LOCATION:	5401 TRINITY ROAD RALEIGH, NC 27607
DATE:	11/13/19

DRAWN BY:	GL	DATE:	11/13/19
CHECKED BY:	JB	DATE:	11/13/19
JOB NO.:			

3.25



PROJECT: PALISADES 3 SHELL OFFICE BUILDING
 LOCATION: 3401 TRINITY ROAD
 RALEIGH, NC 27607
 (EXTERIOR CURTAINWALL SUBMITTAL)

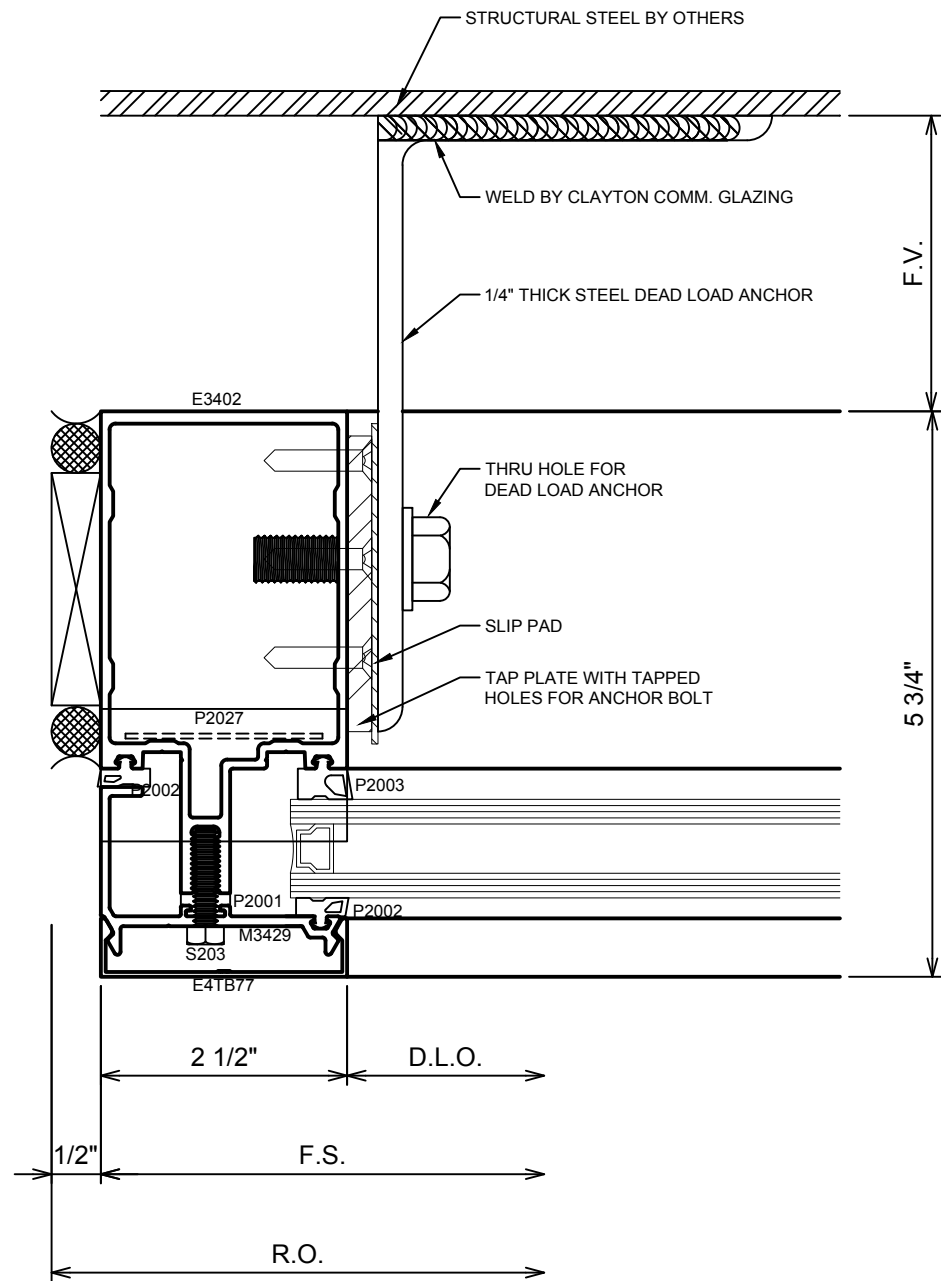
DRAWN BY: GL DATE: 11/13/19
 CHECKED BY: JB DATE: 11/13/19
 JOB NO.:

3.26

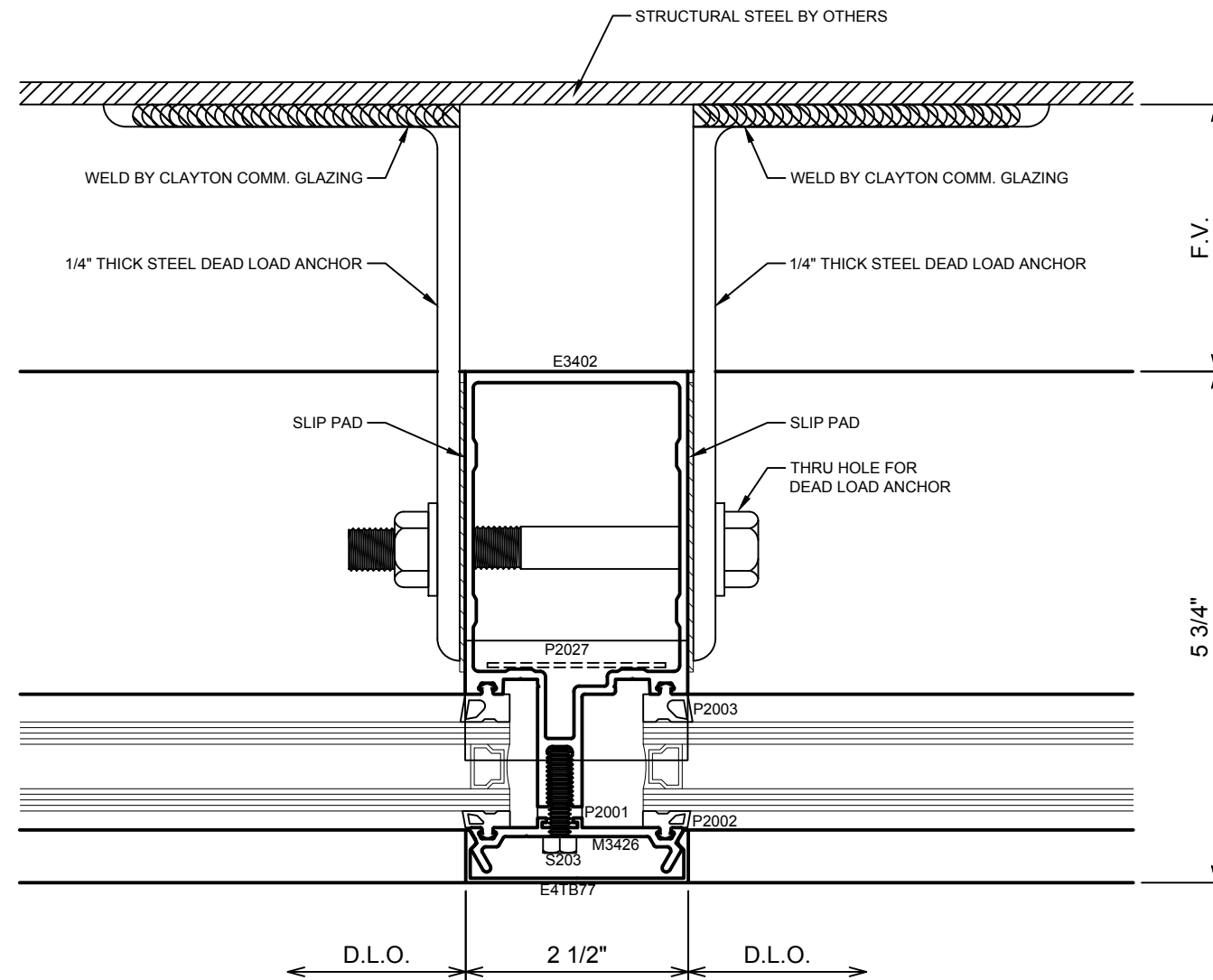
CLAYTON COMMERCIAL GLAZING
 435 E SECOND ST.
 CLAYTON, NC 27520
 (919)-550-0109

NO	DESCRIPTION	DATE
1	1ST REVISION, CW	12/23/19
2	1ST SUBMISSION, GL	11/13/19

DRAWING SUBMISSION



40
3.27
DEAD LOAD ANCHOR
CW17, CW18, CW19,
CW20, CW21, CW22, CW23



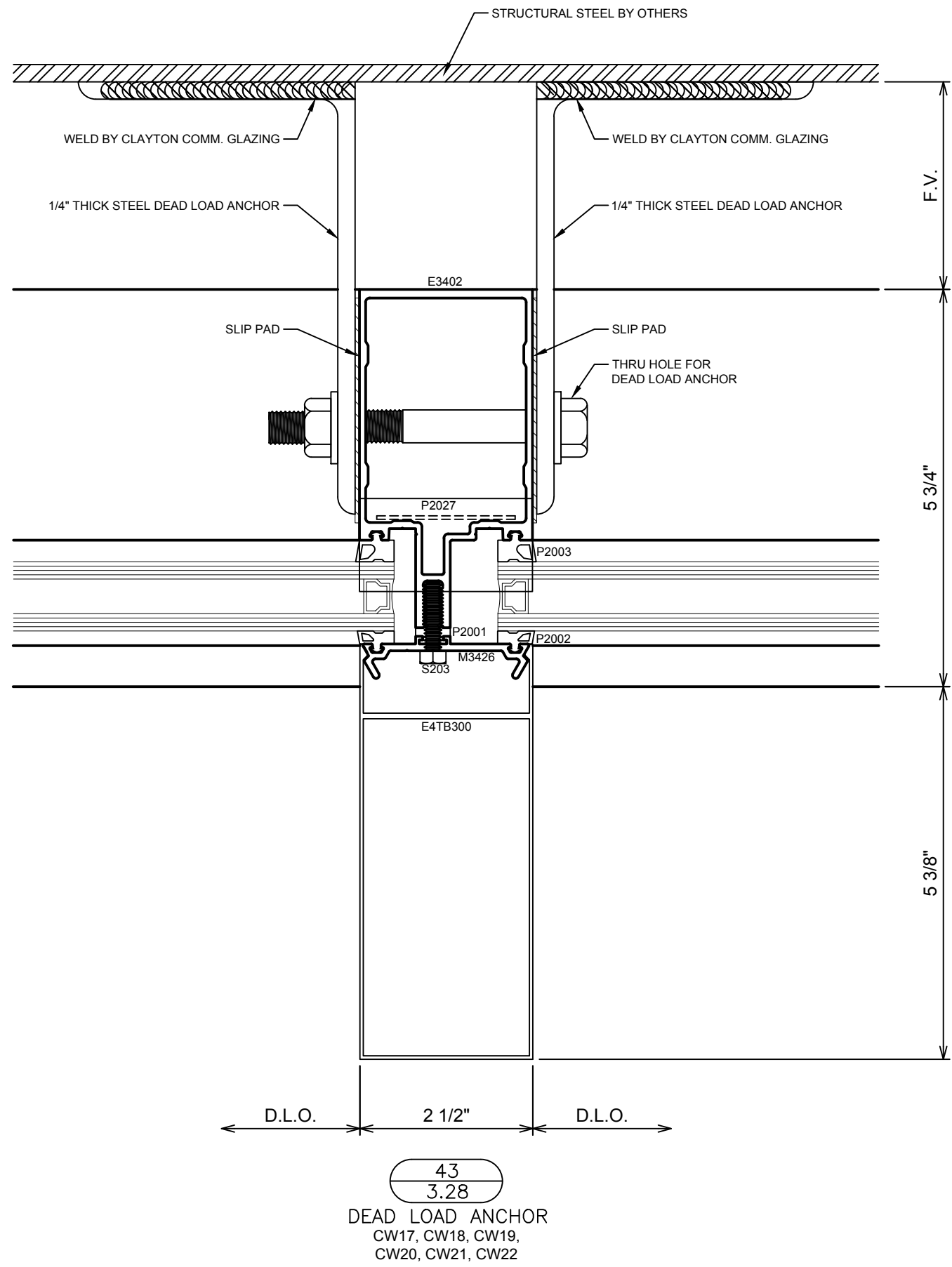
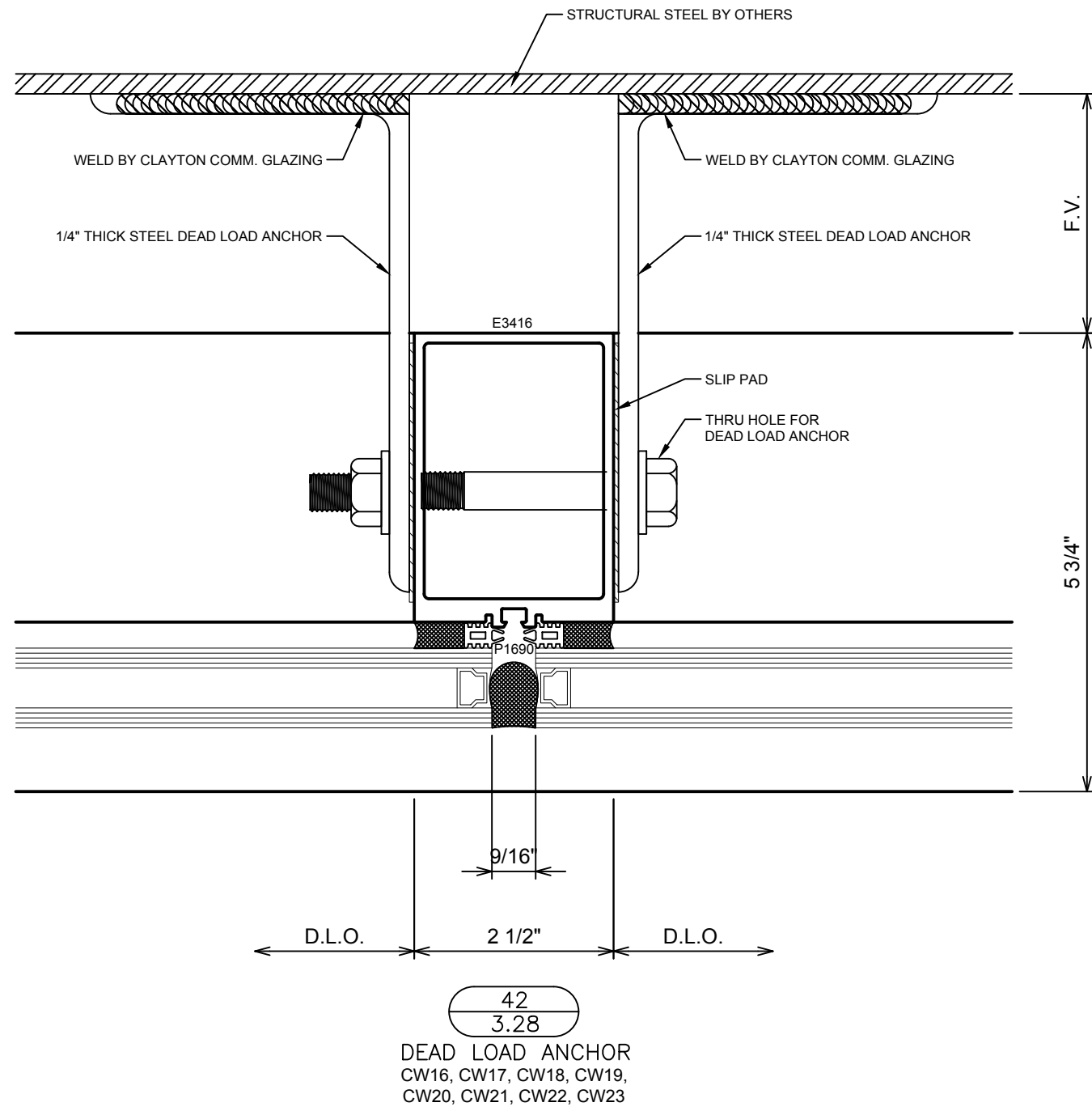
41
3.27
DEAD LOAD ANCHOR
CW16, CW17, CW18, CW19,
CW20, CW21, CW22

NO	DESCRIPTION	DATE
1	1ST SUBMISSION, GL	11/13/19
2	1ST REVISION, CW	12/23/19
DRAWING SUBMISSION		

CLAYTON COMMERCIAL GLAZING
435 E SECOND ST.
CLAYTON, NC 27520
(919)-550-0109

PROJECT: PALISADES 3 SHELL OFFICE BUILDING
LOCATION: 5401 TRINITY ROAD
RALEIGH, NC 27607
(EXTERIOR CURTAINWALL SUBMITTAL)

DRAWN BY:	DATE:
GL	11/13/19
CHECKED BY:	DATE:
JB	11/13/19
JOB NO.:	



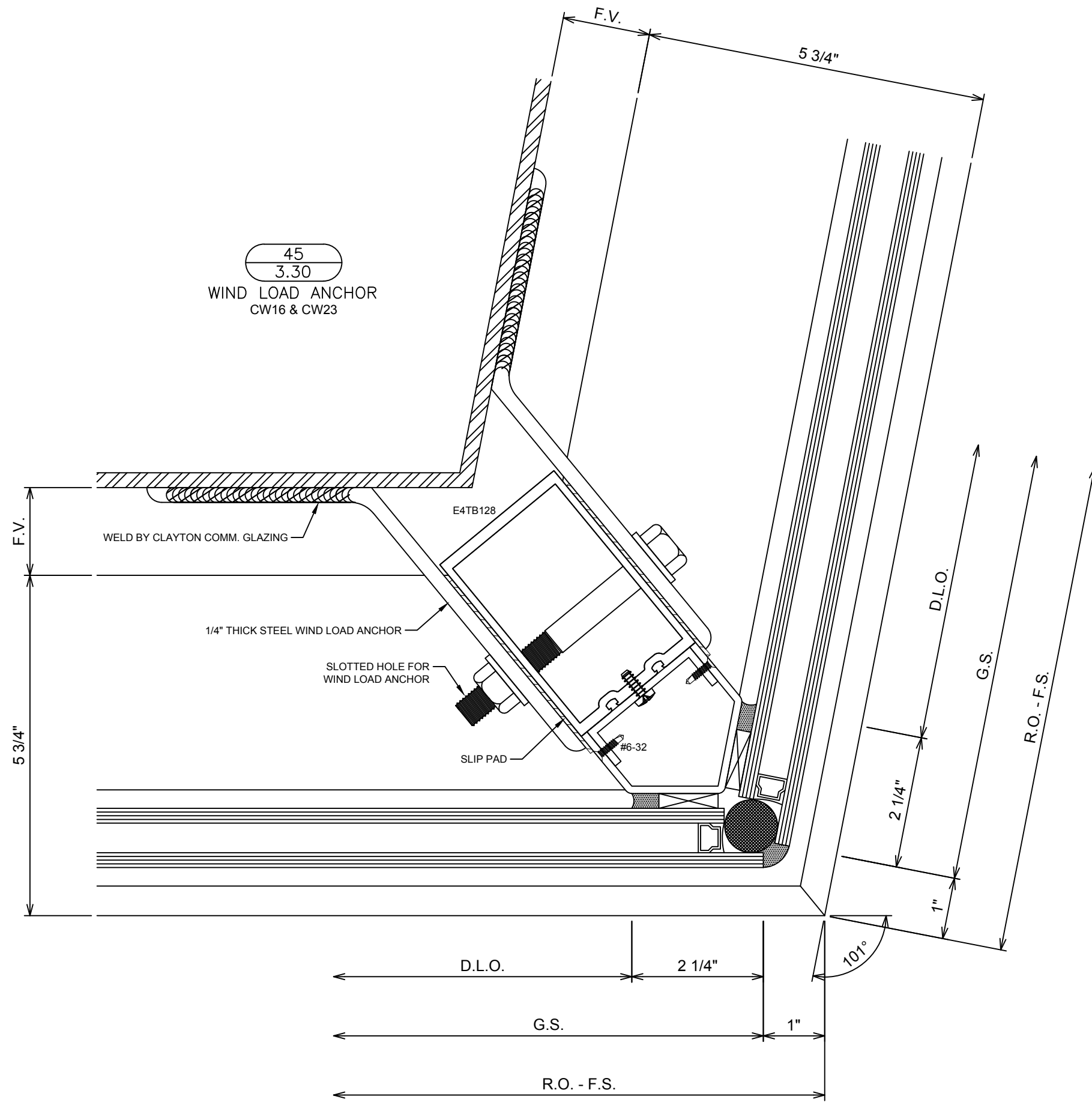
NO	DESCRIPTION	DATE
1	1ST SUBMISSION, GL	11/13/19
2	1ST REVISION, CW	12/23/19

CLAYTON COMMERCIAL GLAZING
435 E SECOND ST.
CLAYTON, NC 27520
(919)-550-0109

PROJECT: PALISADES 3 SHELL OFFICE BUILDING
LOCATION: 5401 TRINITY ROAD
RALEIGH, NC 27607
(EXTERIOR CURTAINWALL SUBMITTAL)

DRAWN BY:	DATE:
GL	11/13/19
CHECKED BY:	DATE:
JB	11/13/19
JOB NO.:	

3.28



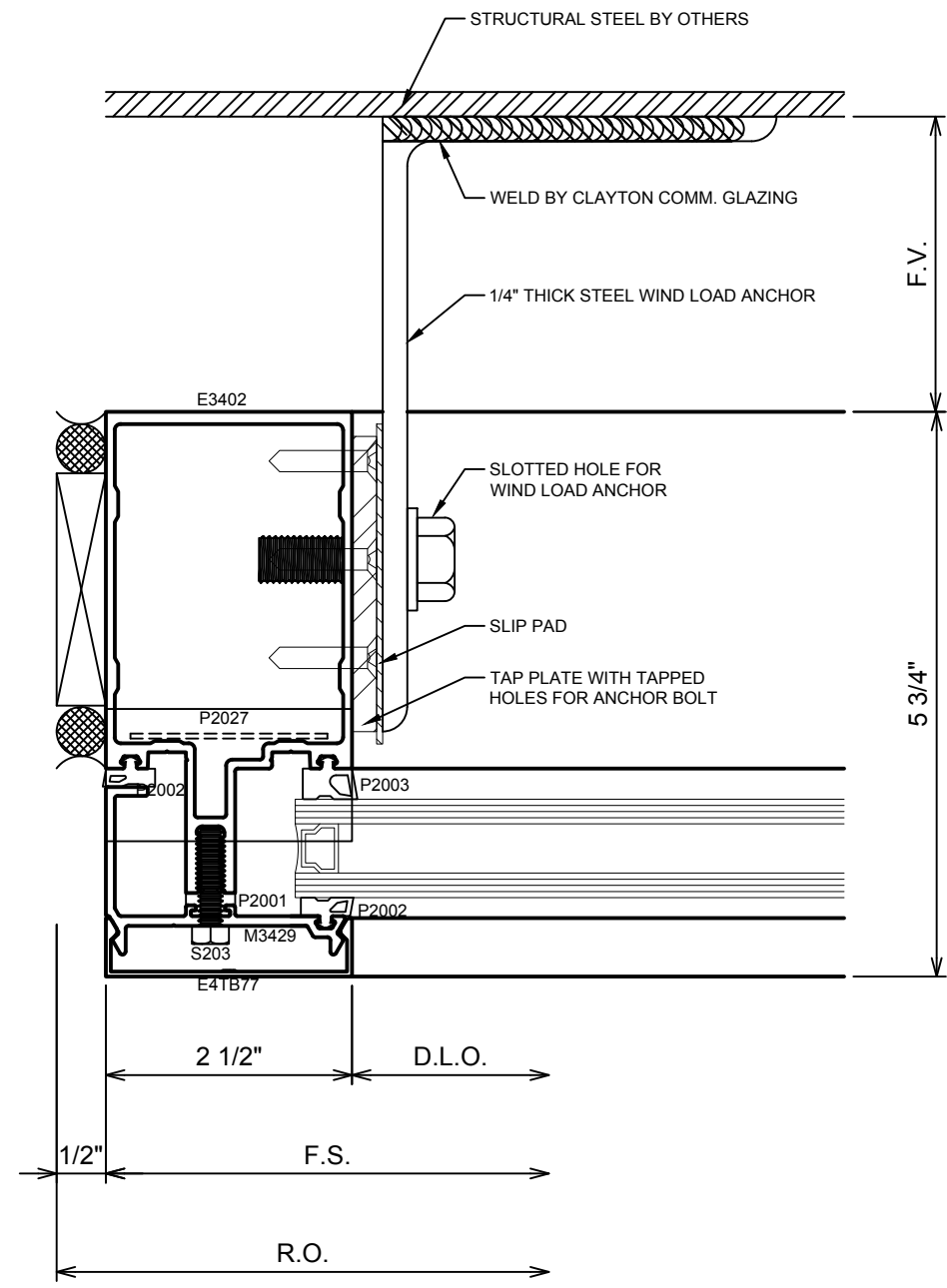
NO	DESCRIPTION	DATE
1	1ST REVISION, CW	12/23/19
2	1ST SUBMISSION, GL	11/13/19

CLAYTON COMMERCIAL GLAZING
435 E SECOND ST.
CLAYTON, NC 27520
(919)-550-0109

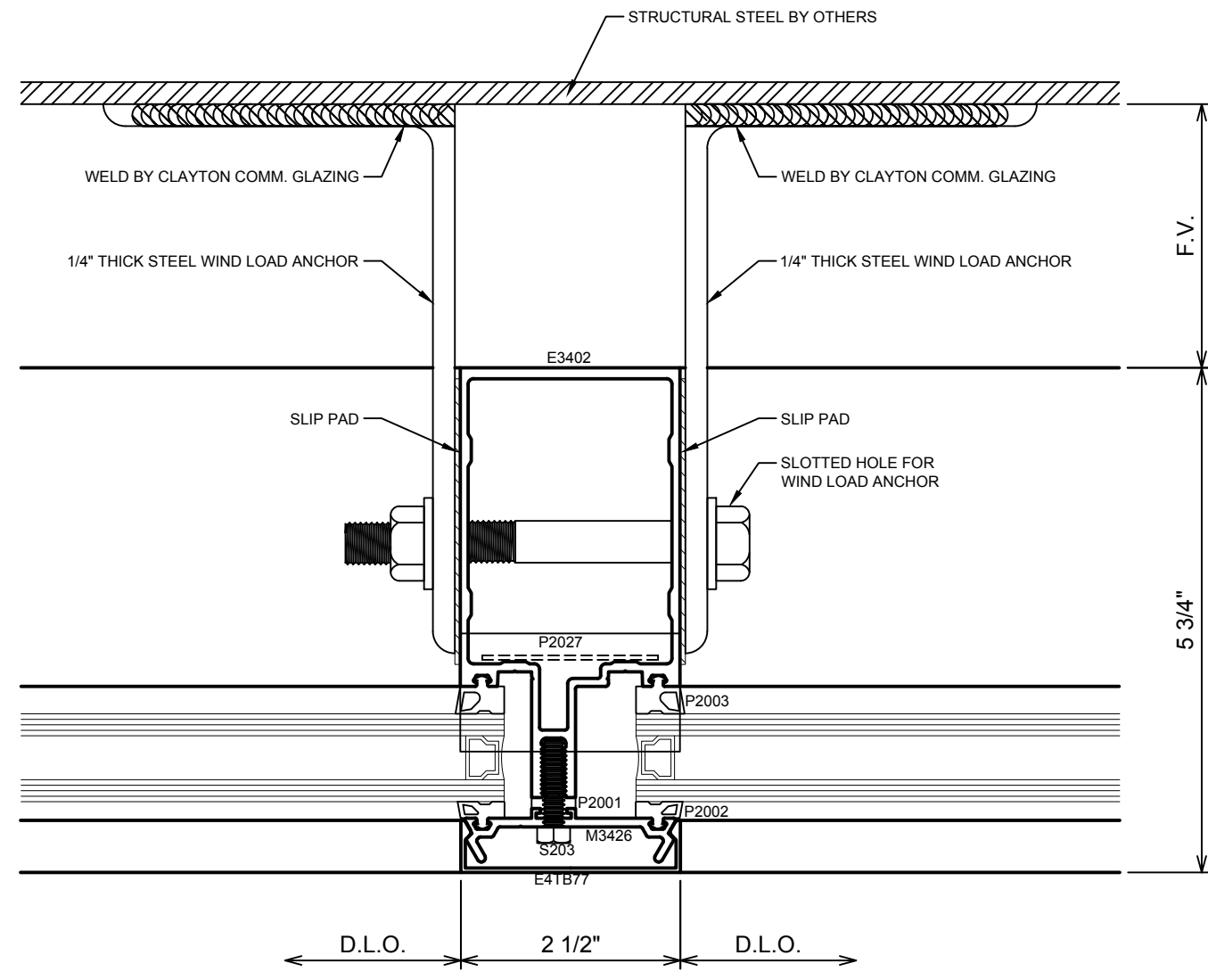
PROJECT: PALISADES 3 SHELL OFFICE BUILDING
LOCATION: 3401 TRINITY ROAD
RALEIGH, NC 27607
(EXTERIOR CURTAINWALL SUBMITTAL)

DRAWN BY:	GL	DATE:	11/13/19
CHECKED BY:	JB	DATE:	11/13/19
JOB NO.:			

3.30



46
3.31
WIND LOAD ANCHOR
CW17, CW18, CW19,
CW20, CW21, CW22, CW23



47
3.31
WIND LOAD ANCHOR
CW16, CW17, CW18, CW19,
CW20, CW21, CW22

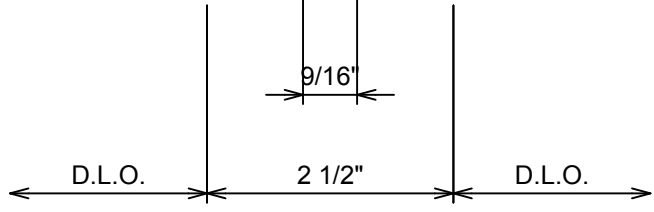
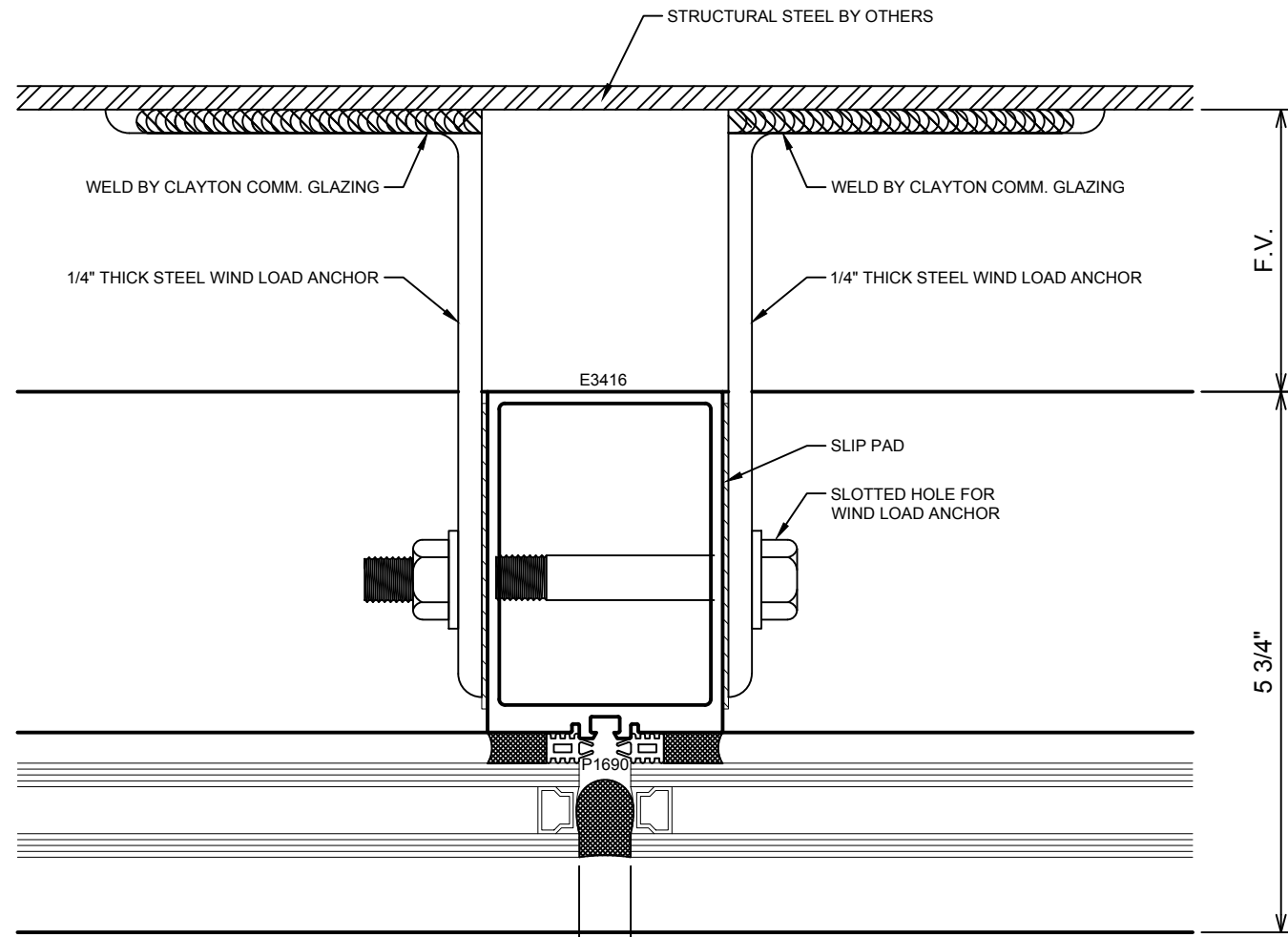
NO	DESCRIPTION	DATE
1	1ST REVISION, CW	12/23/19
2	1ST SUBMISSION, GL	11/13/19

CLAYTON COMMERCIAL GLAZING
435 E SECOND ST.
CLAYTON, NC 27520
(919)-550-0109

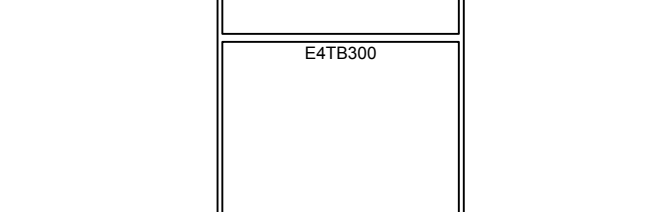
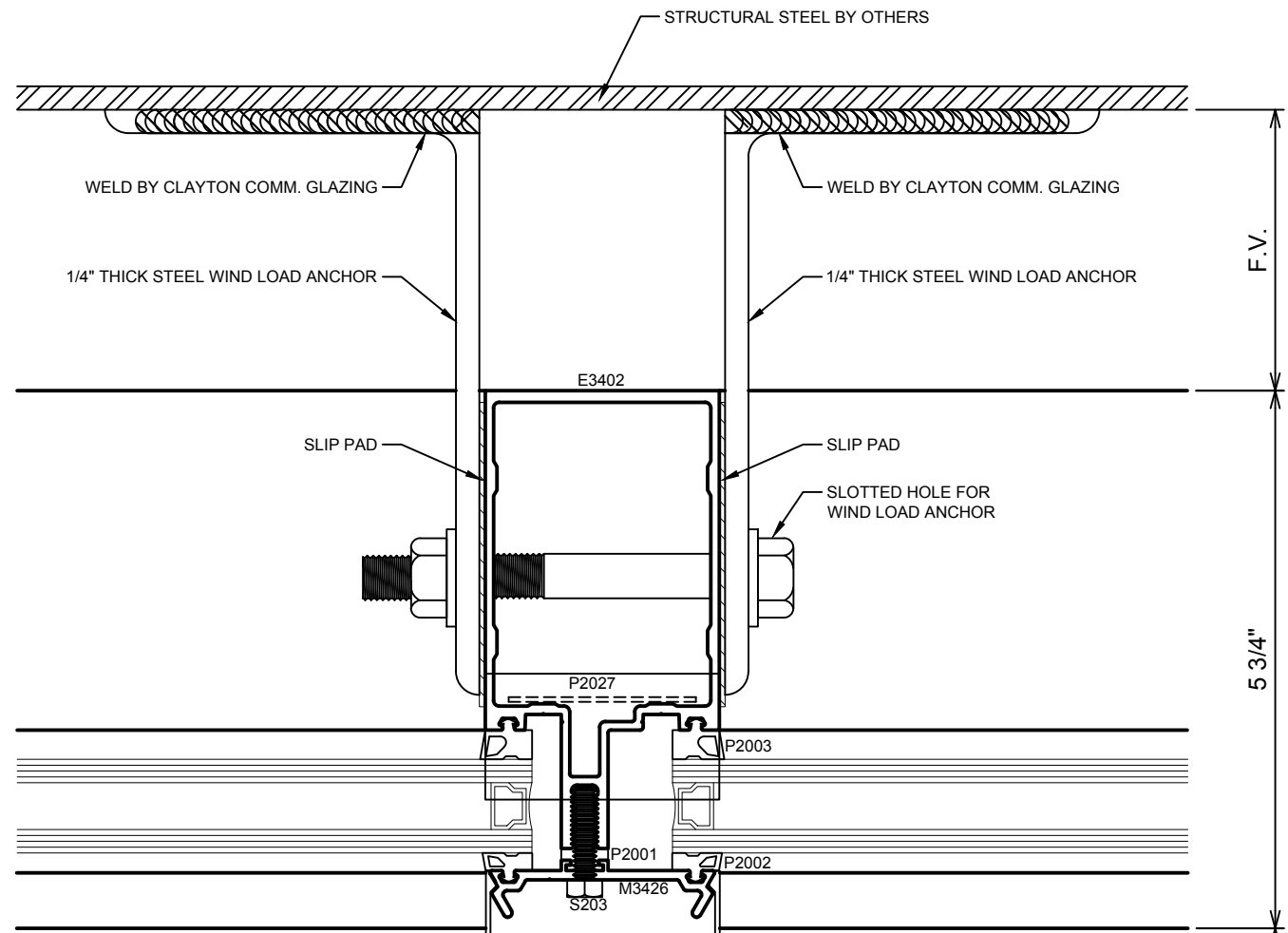
PROJECT: PALISADES 3 SHELL OFFICE BUILDING
LOCATION: 5401 TRINITY ROAD
RALEIGH, NC 27607
(EXTERIOR CURTAINWALL SUBMITTAL)

DRAWN BY:	DATE:
GL	11/13/19
CHECKED BY:	DATE:
JB	11/13/19

JOB NO.:
3.31



48
3.32
 WIND LOAD ANCHOR
 CW16, CW17, CW18, CW19,
 CW20, CW21, CW22, CW23



49
3.32
 WIND LOAD ANCHOR
 CW17, CW18, CW19,
 CW20, CW21, CW22

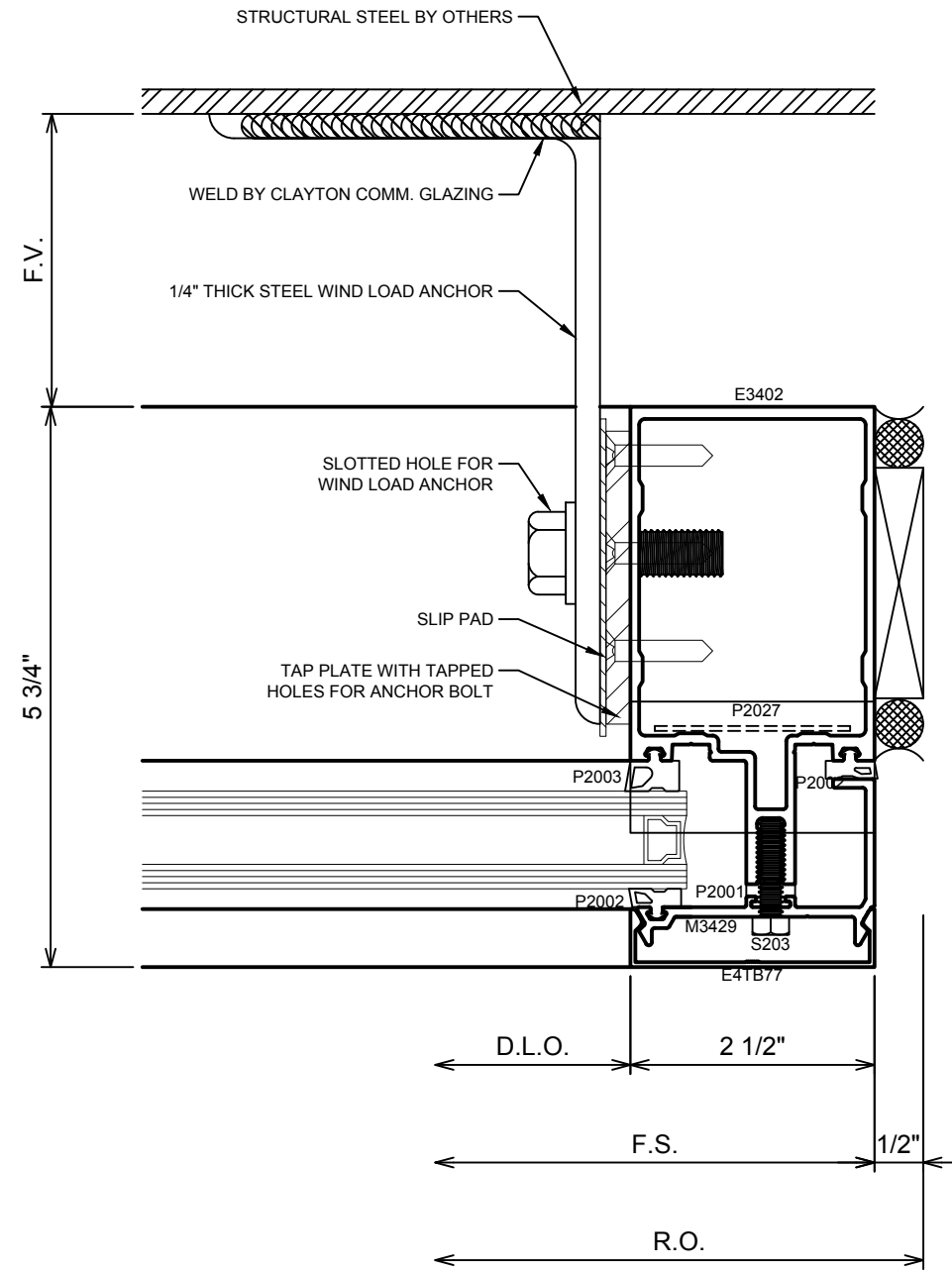
NO	DESCRIPTION	DATE
1	1ST REVISION, CW	12/23/19
2	1ST SUBMISSION, GL	11/13/19

CLAYTON COMMERCIAL GLAZING
 435 E SECOND ST.
 CLAYTON, NC 27520
 (919)-550-0109

PROJECT: PALISADES 3 SHELL OFFICE BUILDING
 LOCATION: 3401 TRINITY ROAD
 RALEIGH, NC 27607
 (EXTERIOR CURTAINWALL SUBMITTAL)

DRAWN BY:	DATE:
GL	11/13/19
CHECKED BY:	DATE:
JB	11/13/19
JOB NO.:	

3.32



50
3.33
WIND LOAD ANCHOR
CW16, CW17, CW18, CW19,
CW20, CW21, CW22

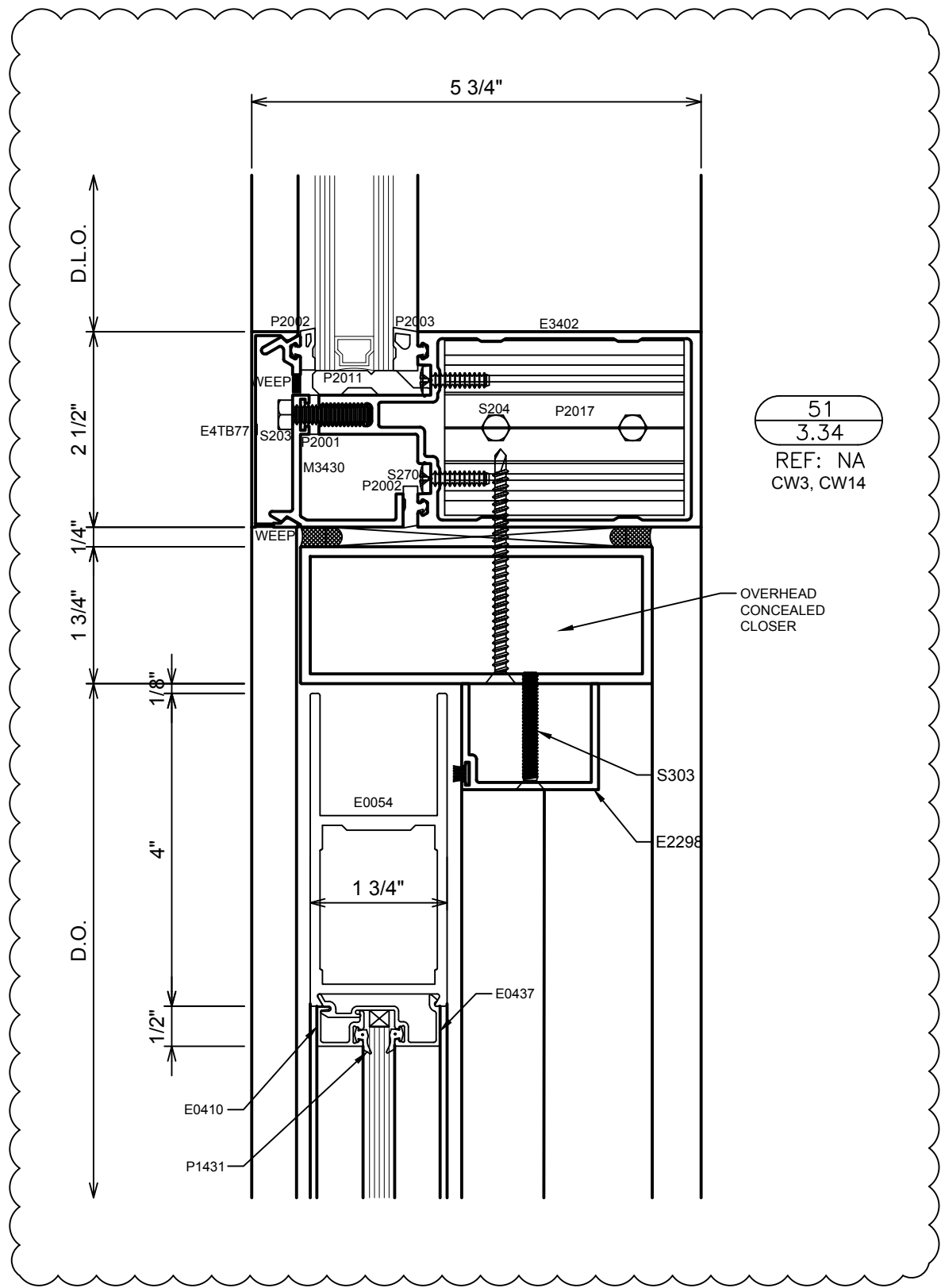
NO	DESCRIPTION	DATE
1	1ST REVISION, CW	12/23/19
2	1ST SUBMISSION, GL	11/13/19

CLAYTON COMMERCIAL GLAZING
435 E SECOND ST.
CLAYTON, NC 27520
(919)-550-0109

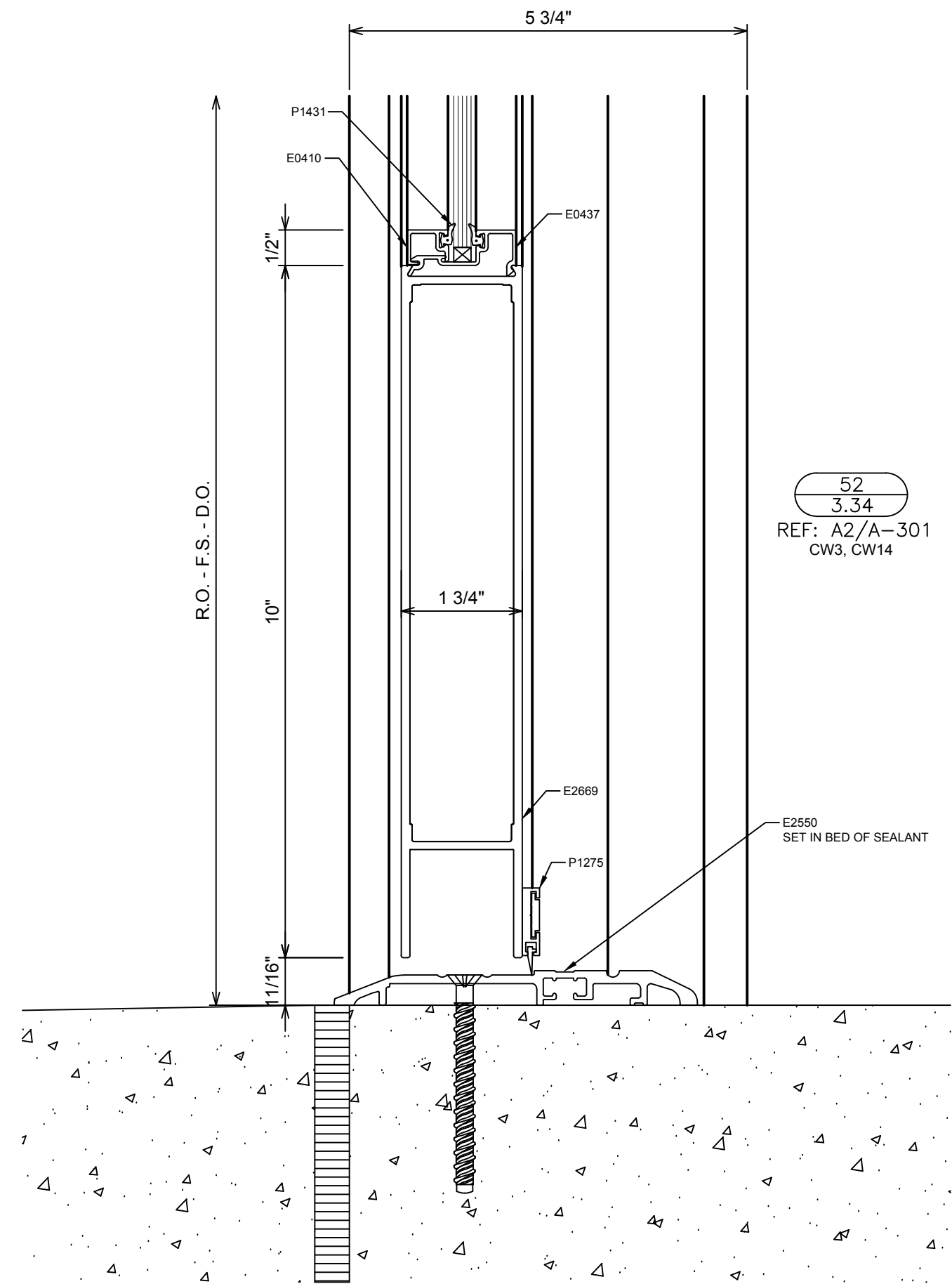
PROJECT:	PALISADES 3 SHELL OFFICE BUILDING
LOCATION:	5401 TRINITY ROAD
	RALEIGH, NC 27607
	(EXTERIOR CURTAINWALL SUBMITTAL)

DRAWN BY:	GL	DATE:	11/13/19
CHECKED BY:	JB	DATE:	11/13/19
JOB NO.:			

3.33



51
3.34
REF: NA
CW3, CW14



52
3.34
REF: A2/A-301
CW3, CW14

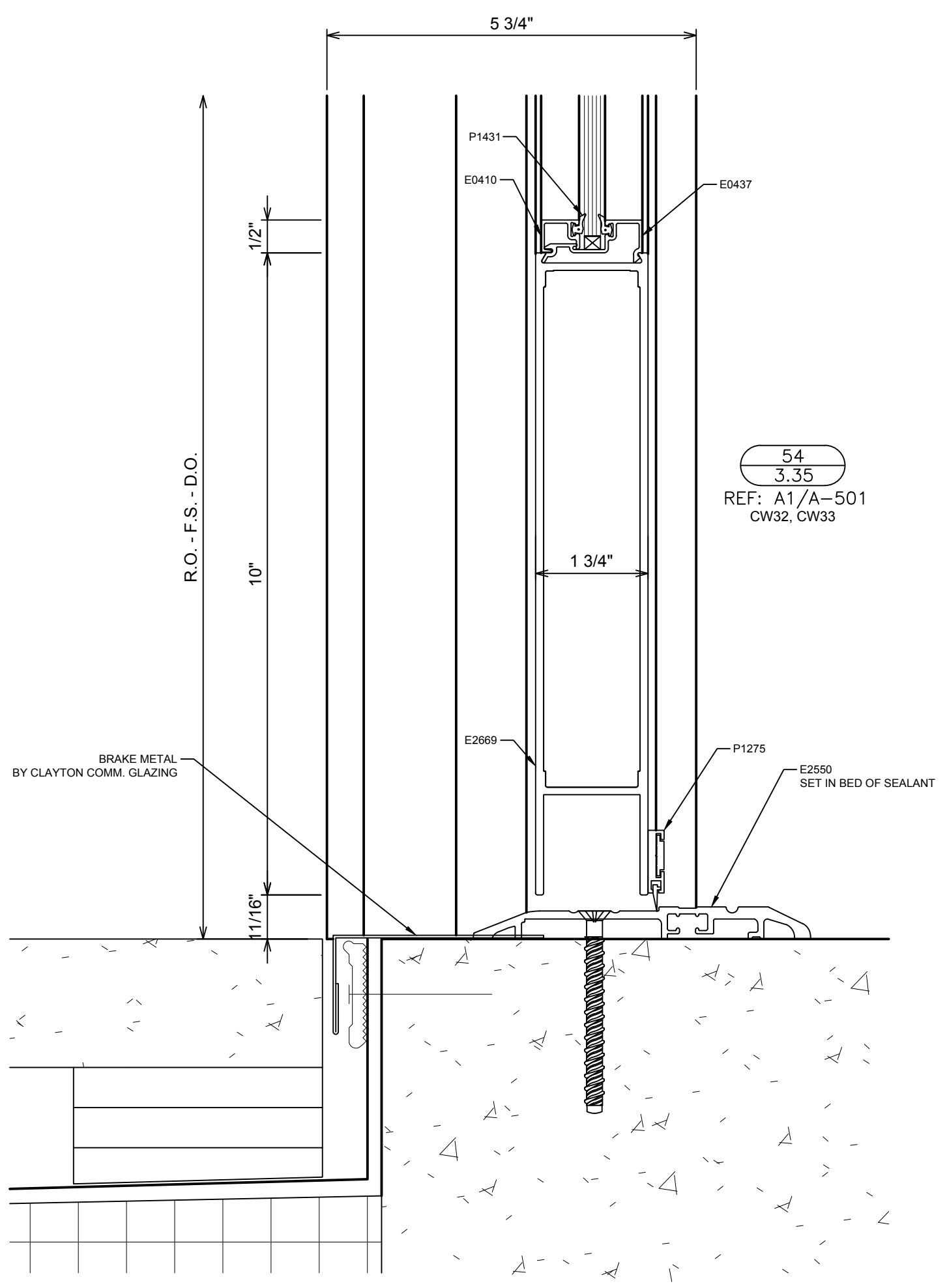
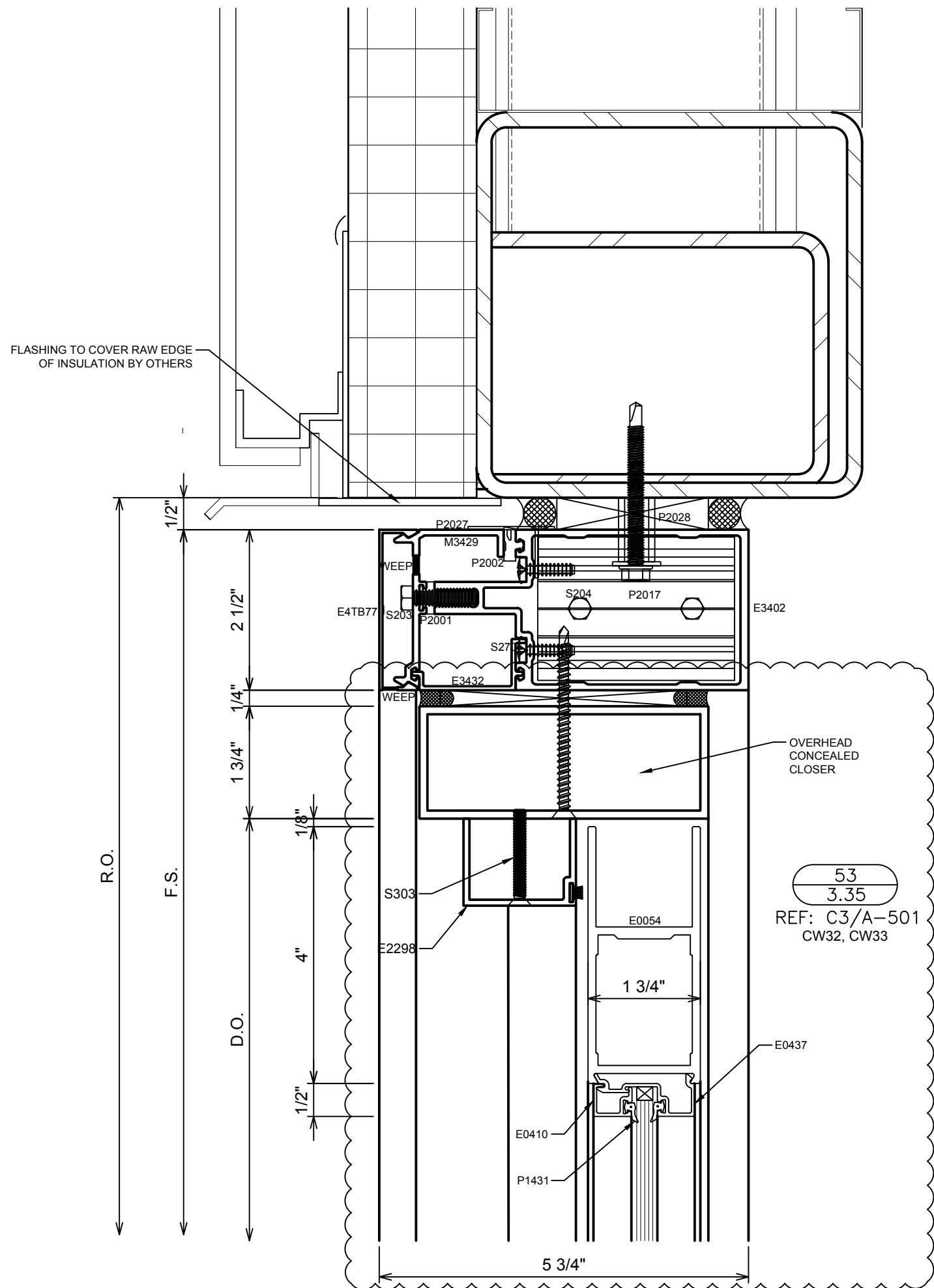
NO	DESCRIPTION	DATE
	1ST REVISION, CW	12/23/19
	1ST SUBMISSION, GL	11/13/19

CLAYTON COMMERCIAL GLAZING
435 E SECOND ST.
CLAYTON, NC 27520
(919)-550-0109

PROJECT: PALISADES 3 SHELL OFFICE BUILDING
LOCATION: 5401 TRINITY ROAD
RALEIGH, NC 27607
(EXTERIOR CURTAINWALL SUBMITTAL)

DRAWN BY:	GL	DATE:	11/13/19
CHECKED BY:	JB	DATE:	11/13/19
JOB NO.:			

3.34



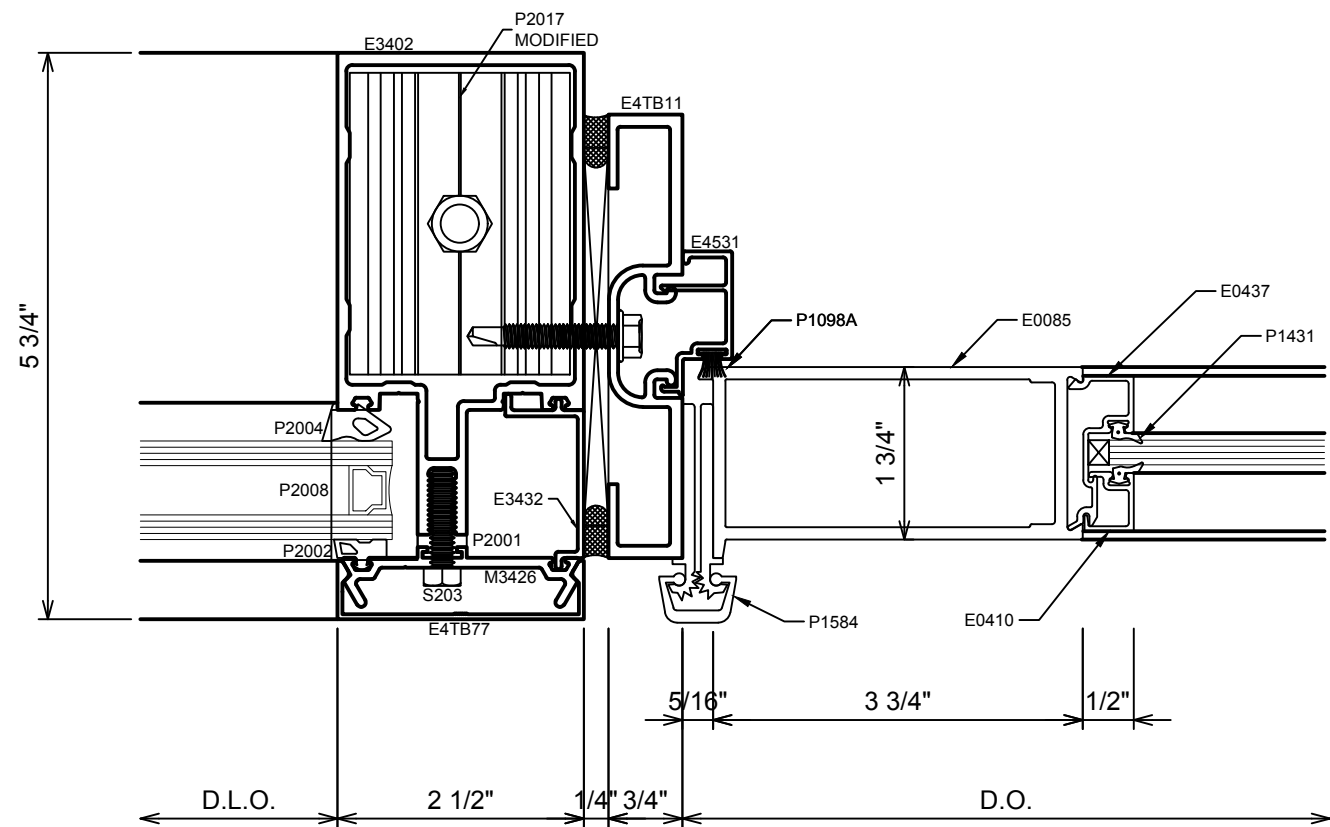
NO	DESCRIPTION	DATE
1	1ST REVISION, CW	12/23/19
2	1ST SUBMISSION, GL	11/13/19

CLAYTON COMMERCIAL GLAZING
435 E SECOND ST.
CLAYTON, NC 27520
(919)-550-0109

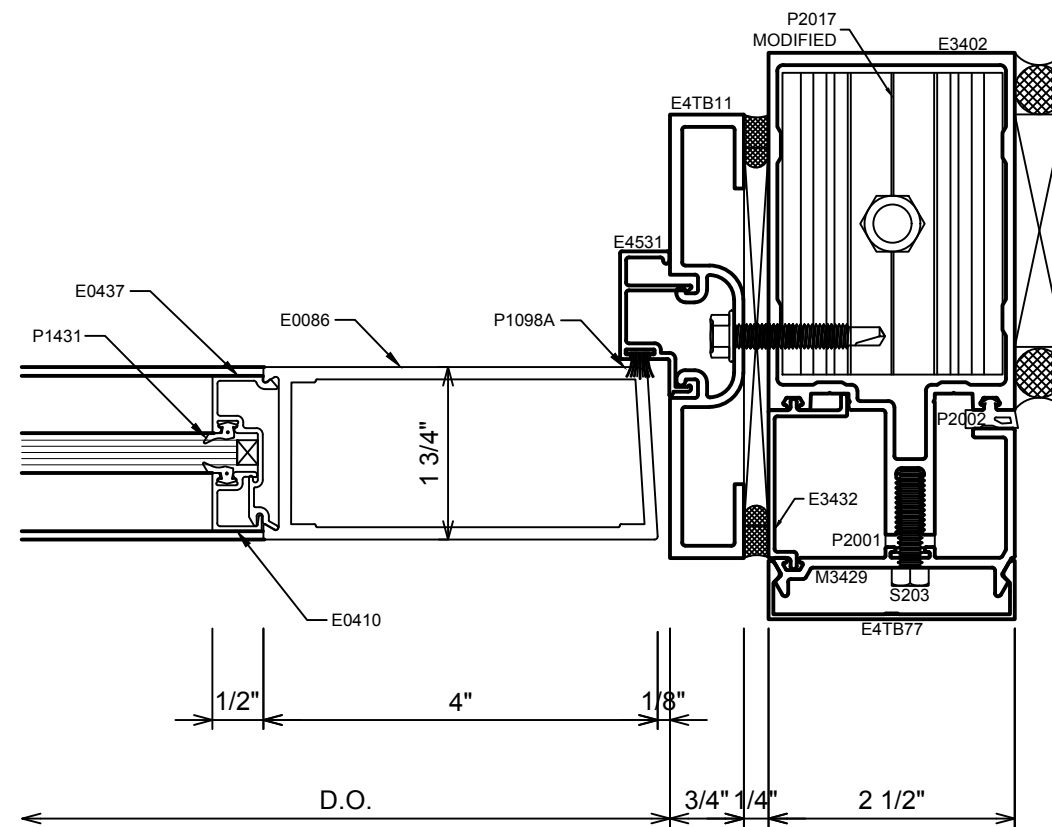
PROJECT: PALISADES 3 SHELL OFFICE BUILDING
LOCATION: 5401 TRINITY ROAD
RALEIGH, NC 27607
(EXTERIOR CURTAINWALL SUBMITTAL)

GL	11/13/19
JB	11/13/19

JOB NO.:
3.35



55
3.36
REF: NA
CW3



56
3.36
REF: D1/A-502
CW3

NOTE TO ARCHITECT / GC
THE ARCHITECTURAL DRAWINGS DID NOT
ILLUSTRATE A JAMB CONDITION AT
FACE OF BRICK. PLEASE VERIFY JAMB
CLOSURE CONDITION AT FACE OF BRICK

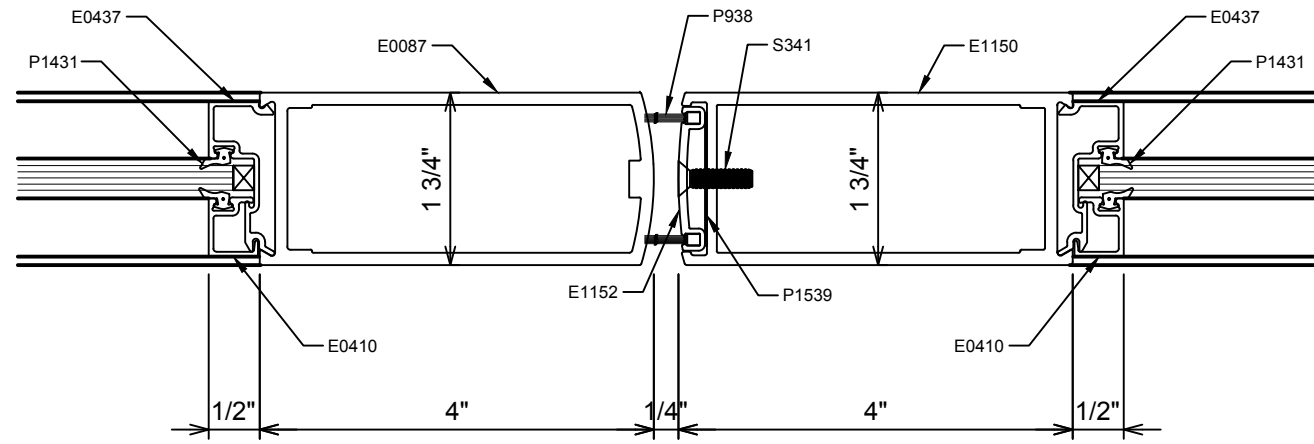
NO	DESCRIPTION	DATE
1	1ST REVISION, CW	12/23/19
2	1ST SUBMISSION, GL	11/13/19

CLAYTON COMMERCIAL GLAZING
435 E SECOND ST.
CLAYTON, NC 27520
(919)-550-0109

PROJECT:	PALISADES 3 SHELL OFFICE BUILDING
LOCATION:	5401 TRINITY ROAD RALEIGH, NC 27607
(EXTERIOR CURTAINWALL SUBMITTAL)	

DRAWN BY:	GL	DATE:	11/13/19
CHECKED BY:	JB	DATE:	11/13/19
JOB NO.:			

3.36



58
3.37
REF: NA
CW6, CW10, CW33

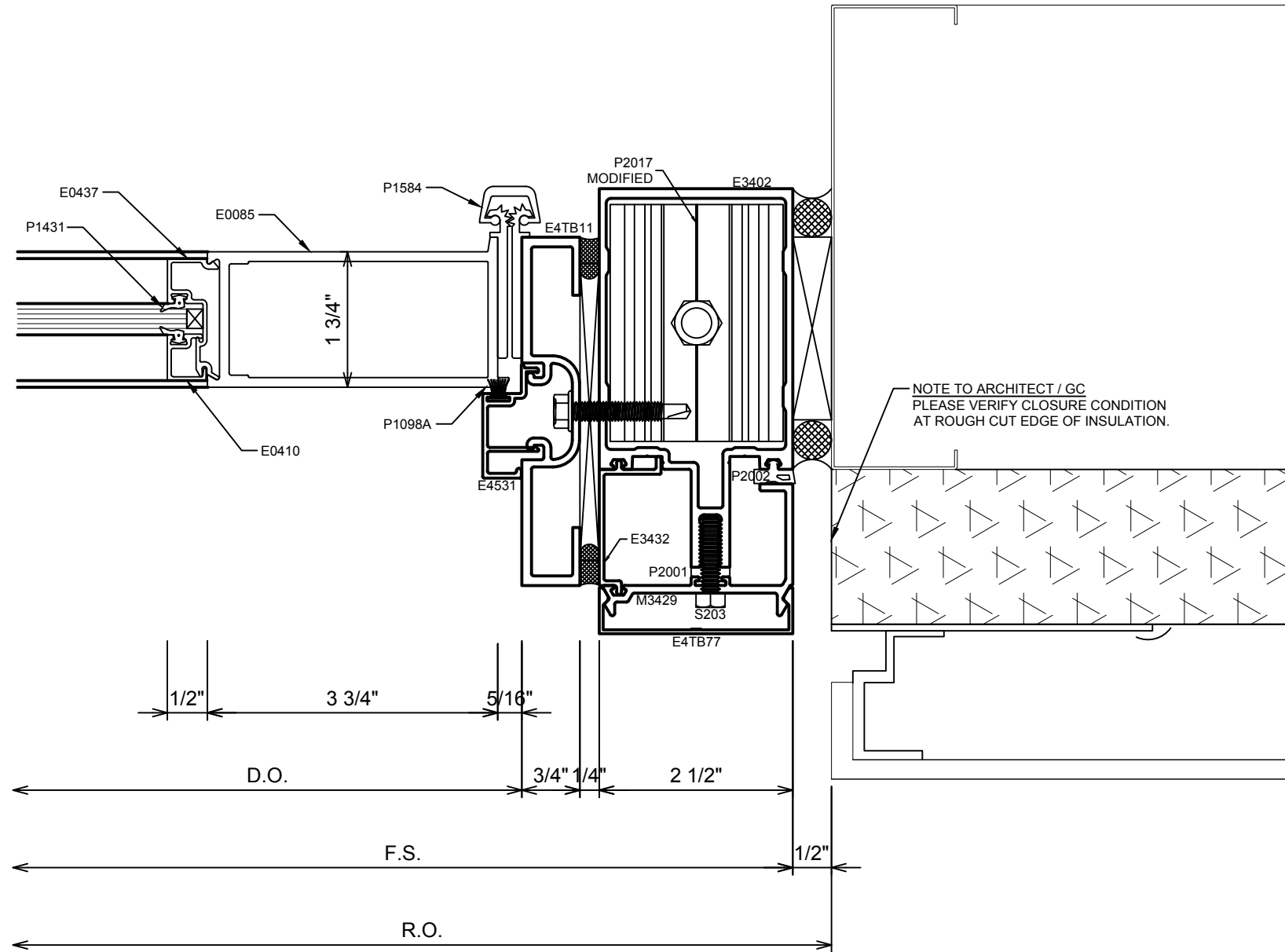
PROJECT: PALISADES 3 SHELL OFFICE BUILDING
 LOCATION: 3401 TRINITY ROAD
 RALEIGH, NC 27607
 (EXTERIOR CURTAINWALL SUBMITTAL)

DRAWN BY: GL DATE: 11/13/19
 CHECKED BY: JB DATE: 11/13/19
 JOB NO.:

3.37

NO	DESCRIPTION	DATE
	1ST REVISION, CW	12/23/19
	1ST SUBMISSION, GL	11/13/19

CLAYTON COMMERCIAL GLAZING
 435 E SECOND ST.
 CLAYTON, NC 27520
 (919)-550-0109



62
3.39
REF: D1/A-502
CW33

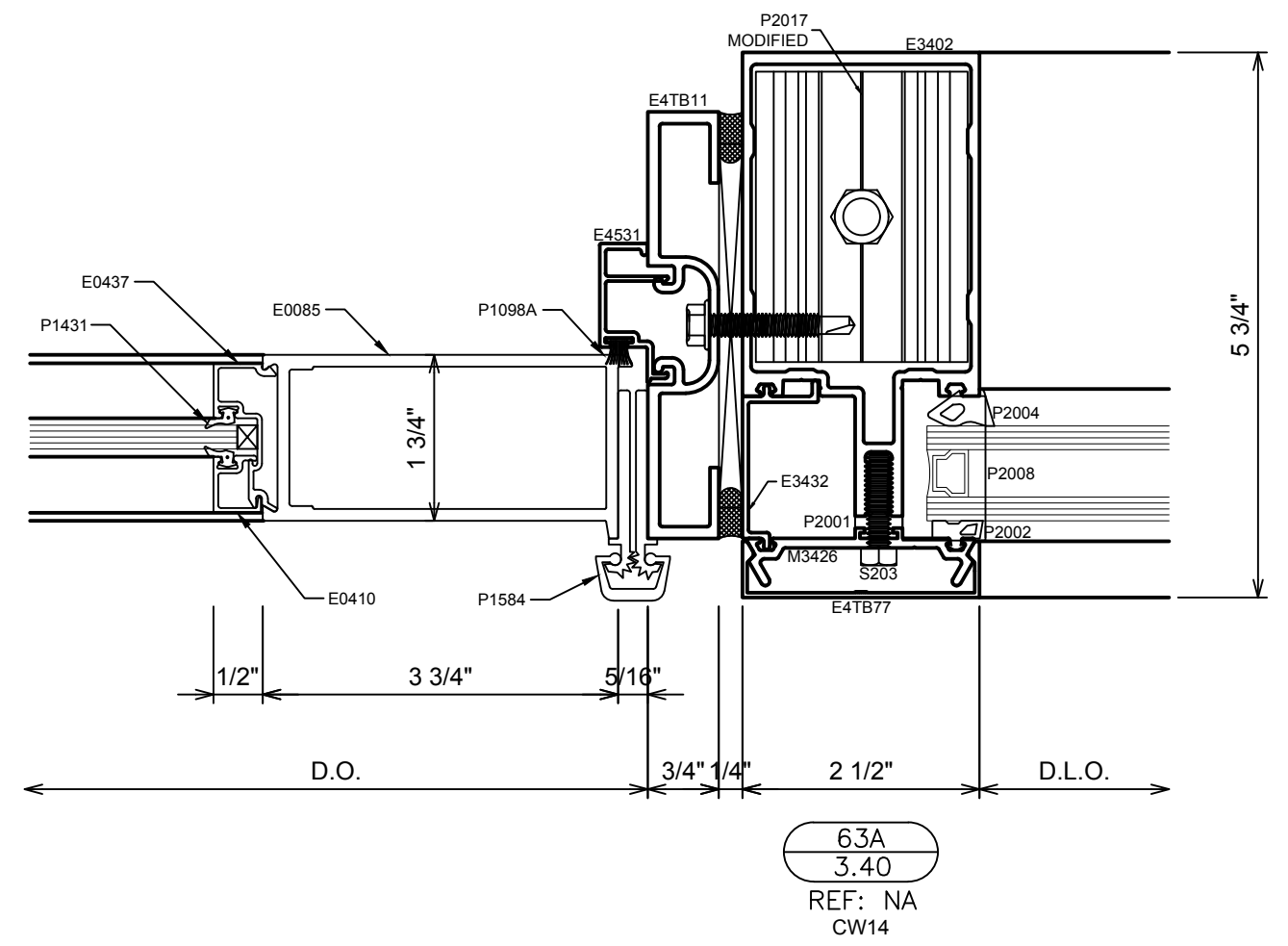
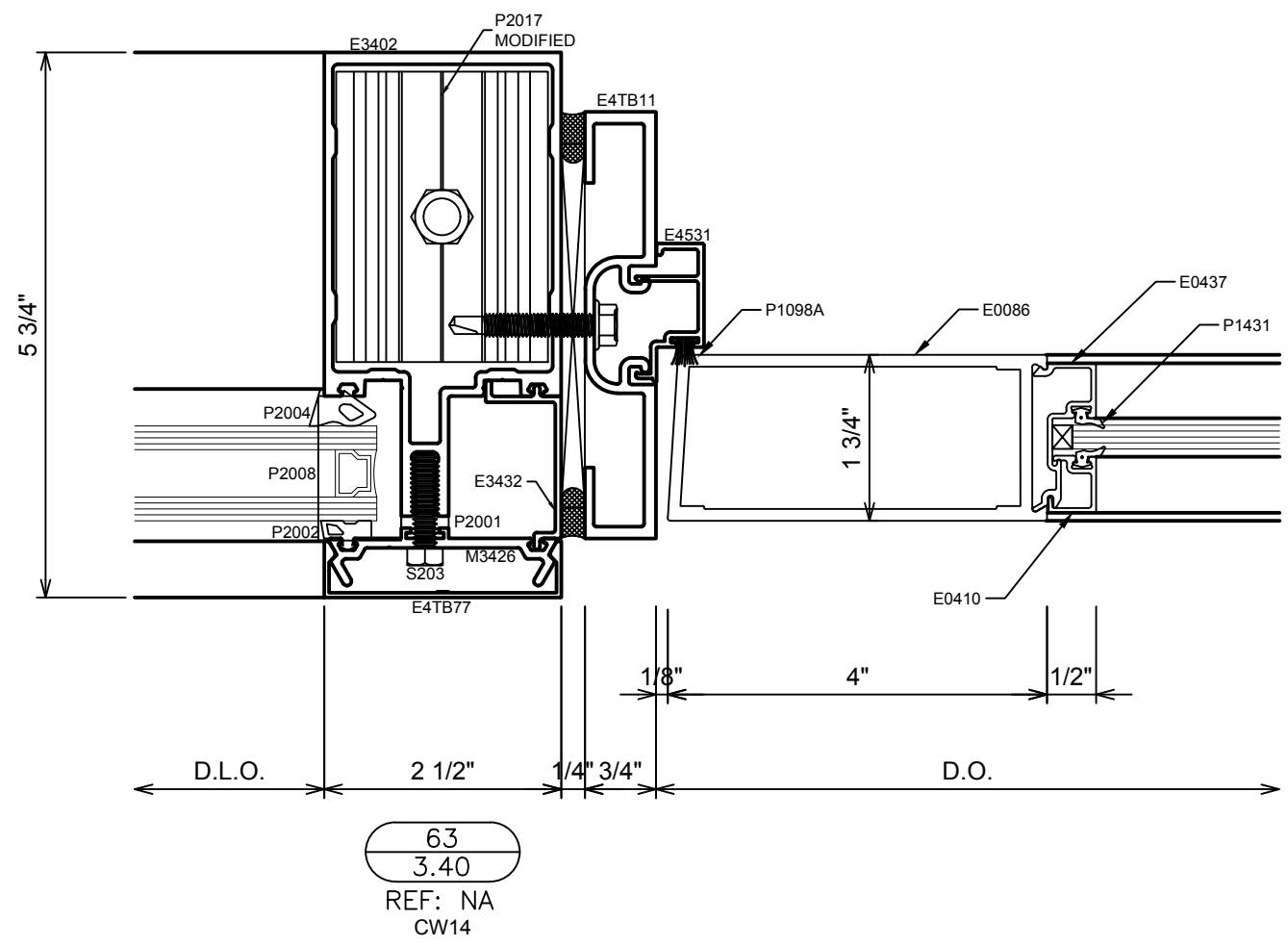
NO	DESCRIPTION	DATE
	1ST REVISION, CW	12/23/19
	1ST SUBMISSION, GL	11/13/19

CLAYTON COMMERCIAL GLAZING
435 E SECOND ST.
CLAYTON, NC 27520
(919)-550-0109

PROJECT: PALISADES 3 SHELL OFFICE BUILDING
LOCATION: 3401 TRINITY ROAD
RALEIGH, NC 27607
(EXTERIOR CURTAINWALL SUBMITTAL)

DRAWN BY:	GL	DATE:	11/13/19
CHECKED BY:	JB	DATE:	11/13/19
JOB NO.:			

3.39



NO	DESCRIPTION	DATE

CLAYTON COMMERCIAL GLAZING
435 E SECOND ST.
CLAYTON, NC 27520
(919)-550-0109

PROJECT: PALISADES 3 SHELL OFFICE BUILDING
LOCATION: 5401 TRINITY ROAD
RALEIGH, NC 27607
(EXTERIOR CURTAINWALL SUBMITTAL)

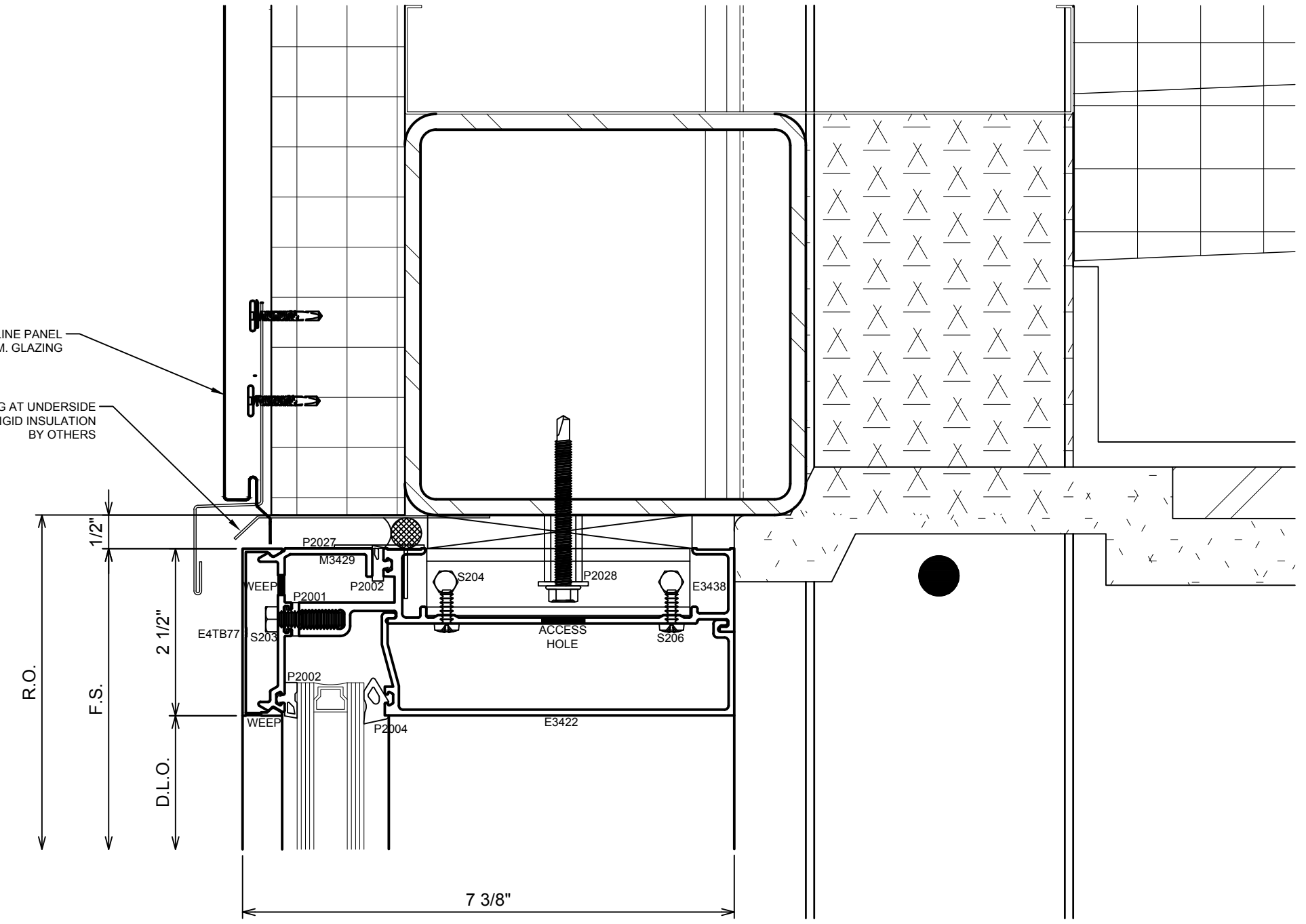
DRAWN BY:	GL	DATE:	11/13/19
CHECKED BY:	JB	DATE:	11/13/19
JOB NO.:			

3.40

64
3.41
REF: D5/A-501
CW24, CW25, CW26,
CW27, CW28

ATAS OPALINE PANEL
BY CLAYTON COMM. GLAZING

FLASHING AT UNDERSIDE
OF RIGID INSULATION
BY OTHERS



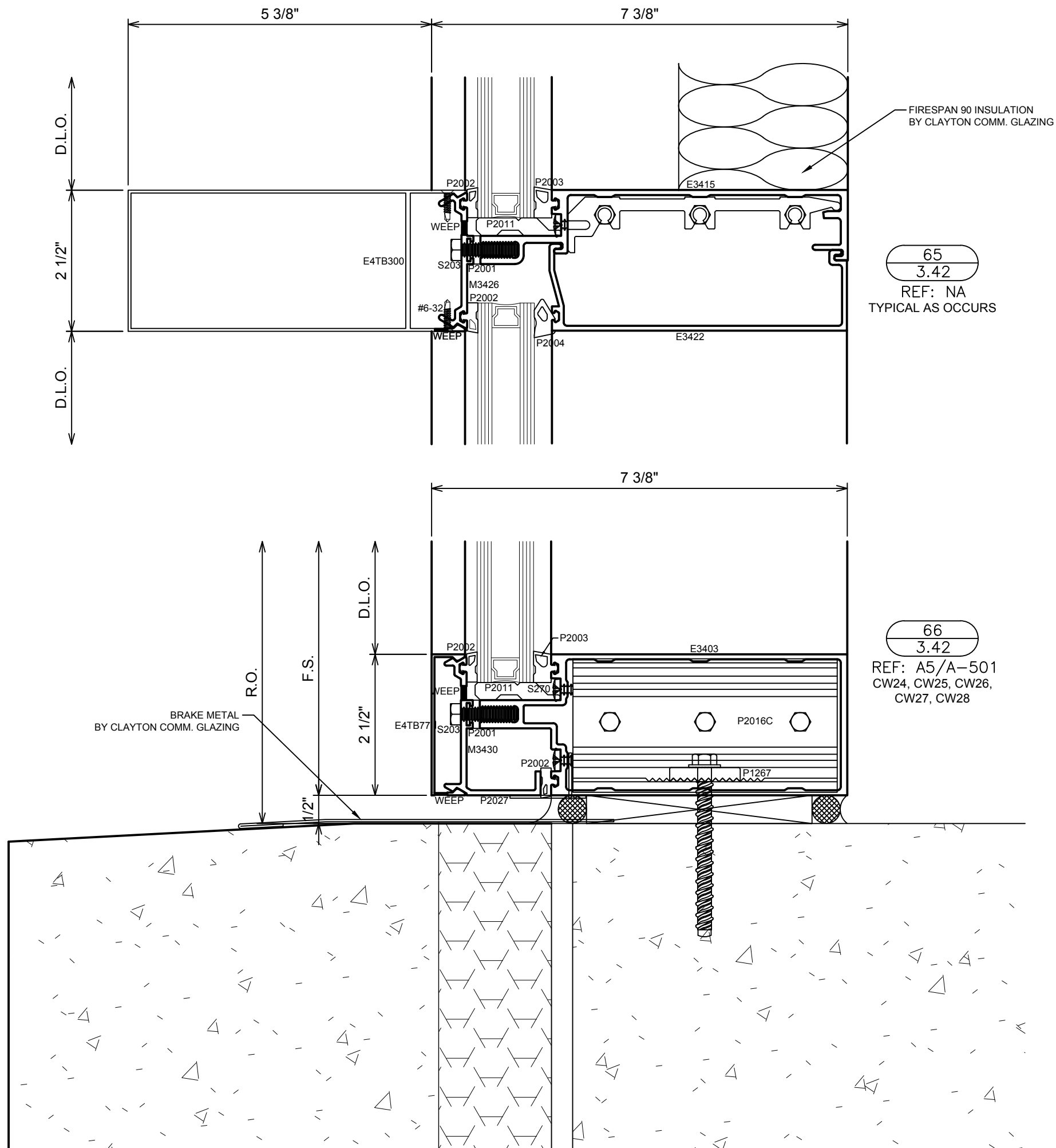
NO	DESCRIPTION	DATE
	1ST REVISION, CW	12/23/19
	1ST SUBMISSION, GL	11/13/19

CLAYTON COMMERCIAL GLAZING
435 E SECOND ST.
CLAYTON, NC 27520
(919)-550-0109

PROJECT: PALISADES 3 SHELL OFFICE BUILDING
LOCATION: 3401 TRINITY ROAD
RALEIGH, NC 27607
(EXTERIOR CURTAINWALL SUBMITTAL)

DRAWN BY:	GL	DATE:	11/13/19
CHECKED BY:	JB	DATE:	11/13/19

JOB NO.:
3.41



NO	DESCRIPTION	DATE
1	1ST REVISION, CW	12/23/19
2	1ST SUBMISSION, GL	11/13/19

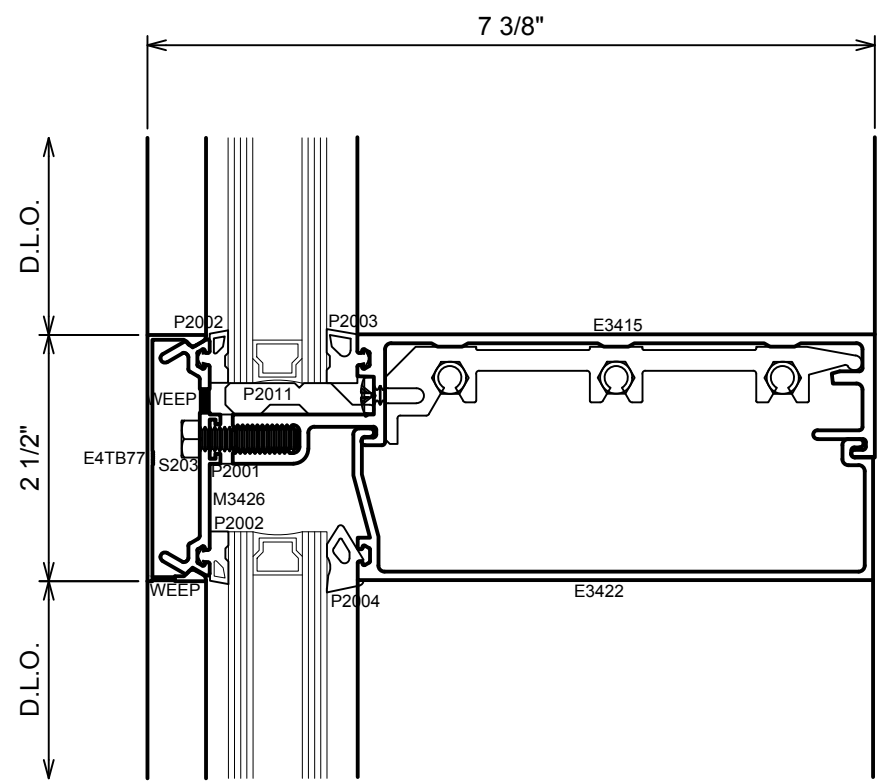
CLAYTON COMMERCIAL GLAZING
 435 E SECOND ST.
 CLAYTON, NC 27520
 (919)-550-0109

PROJECT: PALISADES 3 SHELL OFFICE BUILDING
 LOCATION: 3401 TRINITY ROAD
 RALEIGH, NC 27607

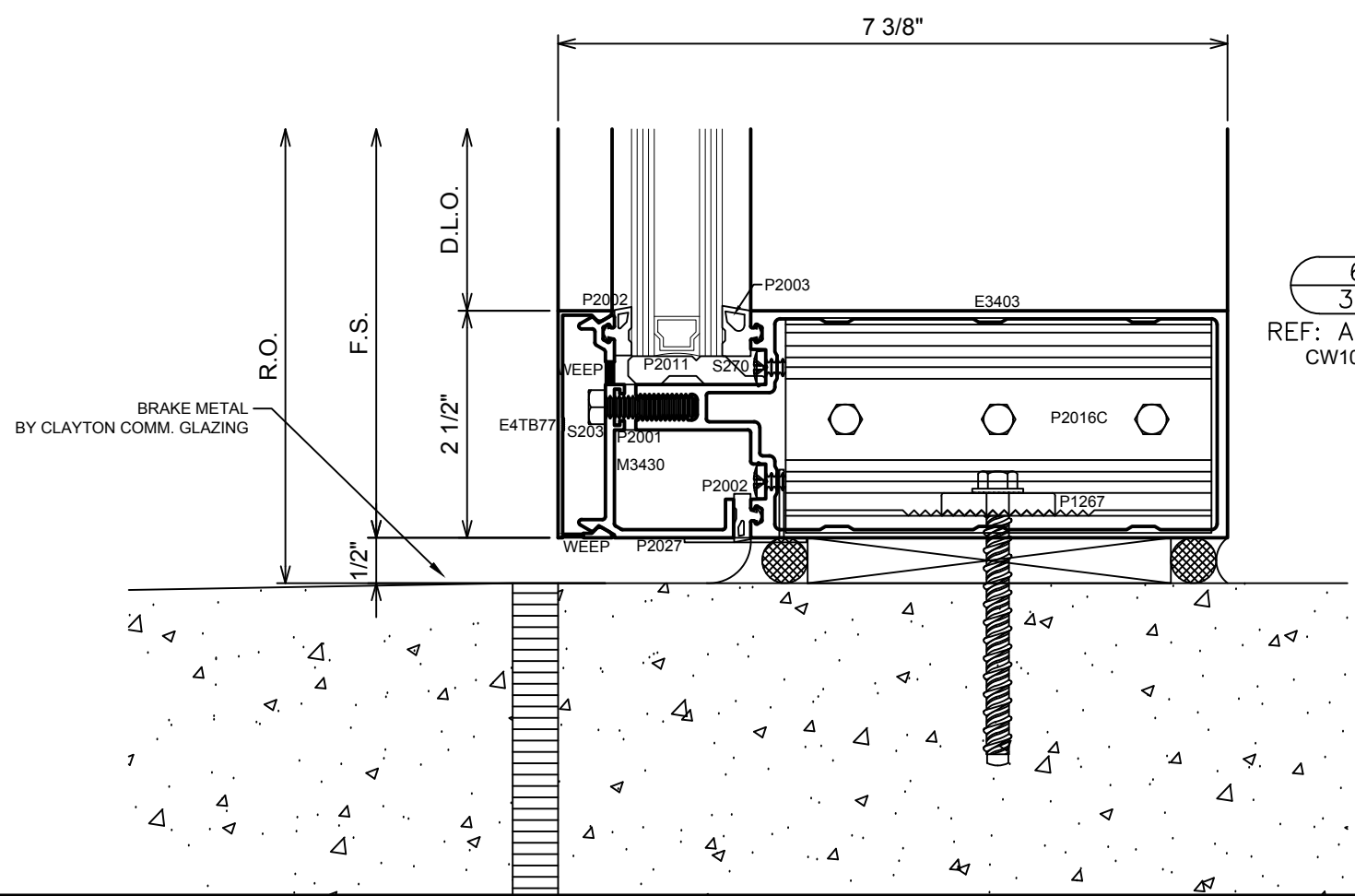
(EXTERIOR CURTAINWALL SUBMITTAL)

DRAWN BY:	DATE:
GL	11/13/19
CHECKED BY:	DATE:
JB	11/13/19
JOB NO.:	

3.42



67
3.43
REF: NA
CW10



68
3.43
REF: A1/A-301
CW10, CW11

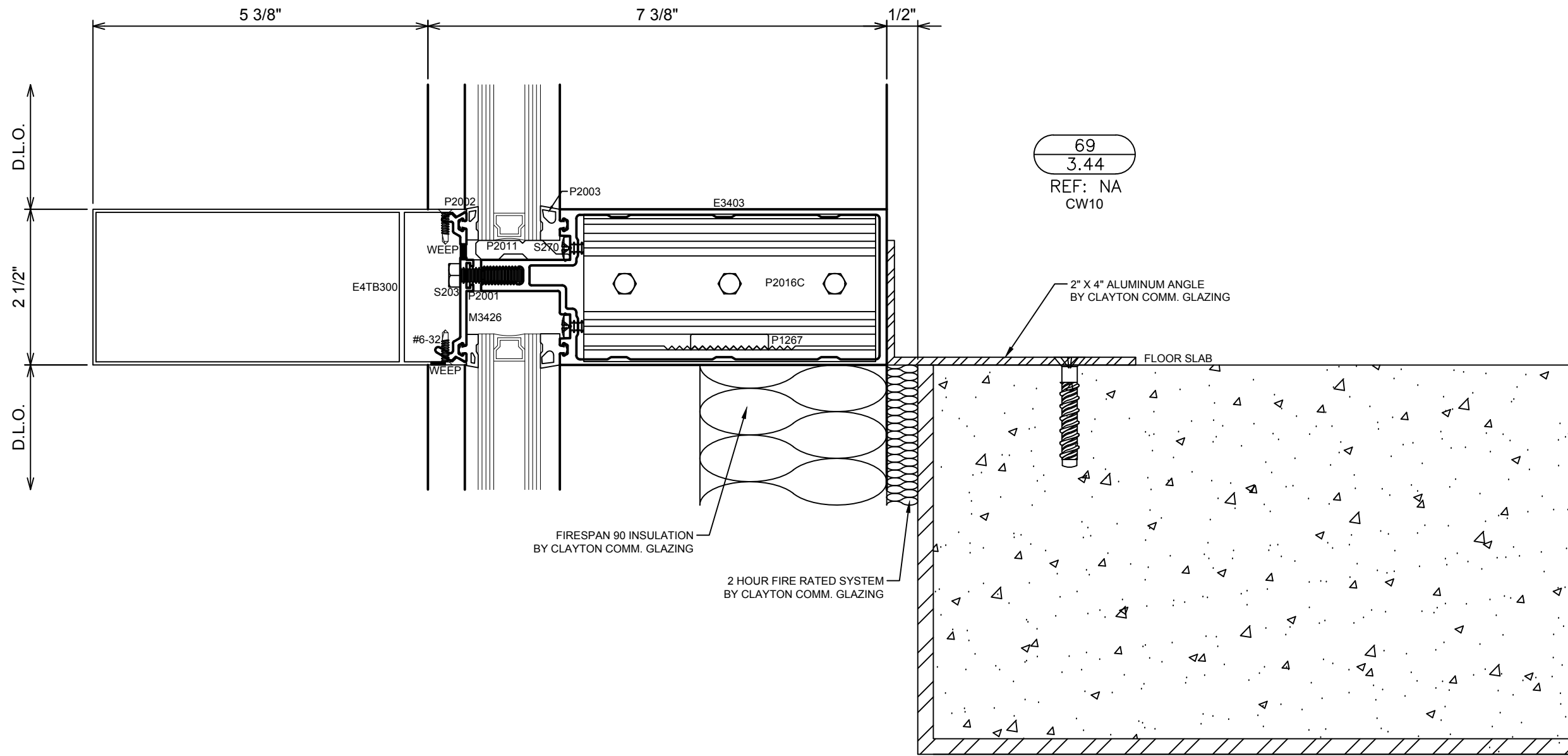
NO	DESCRIPTION	DATE
1	1ST REVISION, CW	12/23/19
2	1ST SUBMISSION, GL	11/13/19

CLAYTON COMMERCIAL GLAZING
435 E SECOND ST.
CLAYTON, NC 27520
(919)-550-0109

PROJECT: PALISADES 3 SHELL OFFICE BUILDING
LOCATION: 3401 TRINITY ROAD
RALEIGH, NC 27607
(EXTERIOR CURTAINWALL SUBMITTAL)

DRAWN BY:	GL	DATE:	11/13/19
CHECKED BY:	JB	DATE:	11/13/19
JOB NO.:			

3.43



69
3.44
REF: NA
CW10

2" X 4" ALUMINUM ANGLE
BY CLAYTON COMM. GLAZING

FLOOR SLAB

FIRESpan 90 INSULATION
BY CLAYTON COMM. GLAZING

2 HOUR FIRE RATED SYSTEM
BY CLAYTON COMM. GLAZING

NO	DESCRIPTION	DATE
1	1ST REVISION, CW	12/23/19
2	1ST SUBMISSION, GL	11/13/19

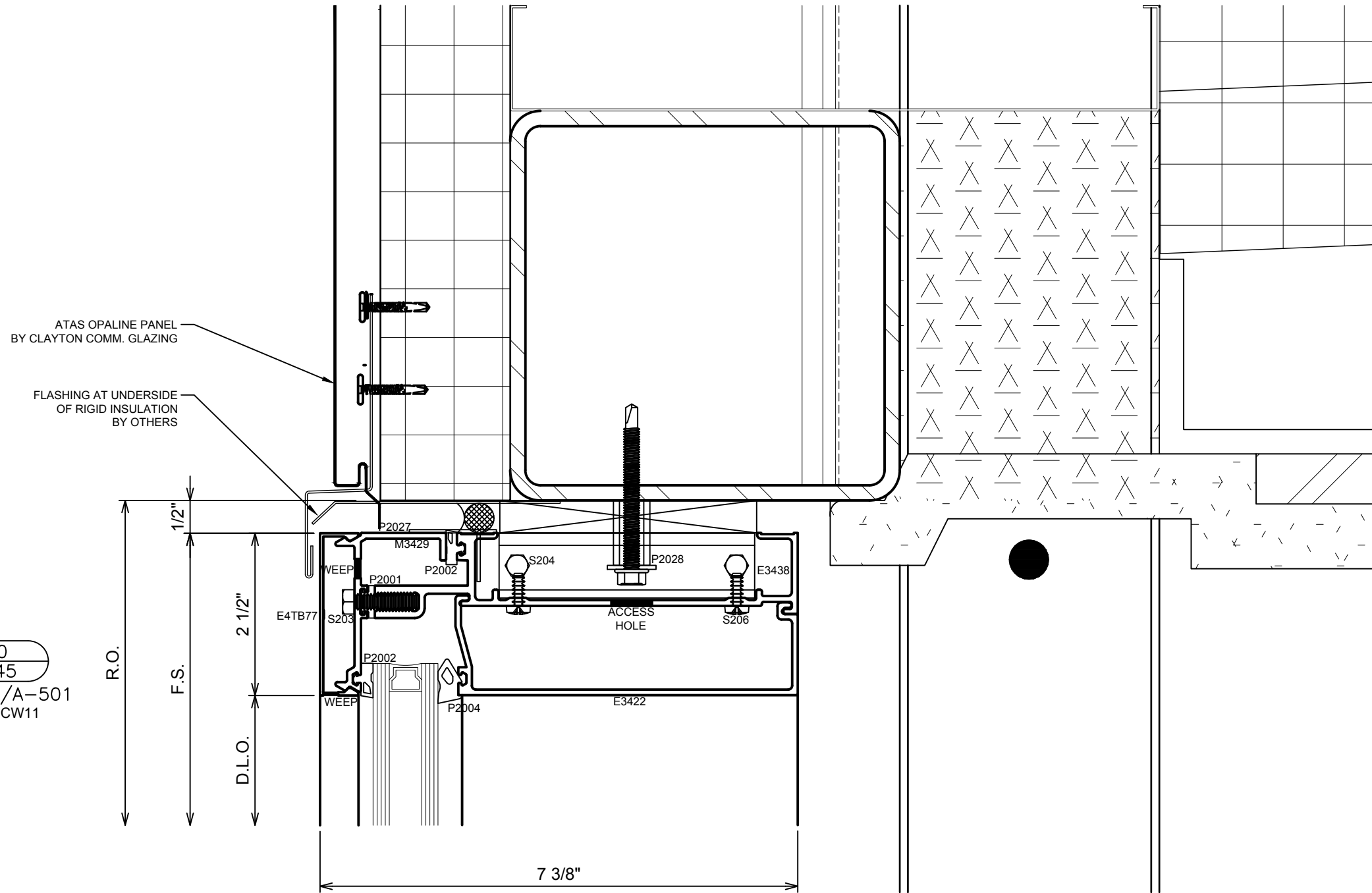
CLAYTON COMMERCIAL GLAZING
435 E SECOND ST.
CLAYTON, NC 27520
(919)-550-0109

PROJECT: PALISADES 3 SHELL OFFICE BUILDING
LOCATION: 3401 TRINITY ROAD
RALEIGH, NC 27607
(EXTERIOR CURTAINWALL SUBMITTAL)

GL	11/13/19
JB	11/13/19

JOB NO.:
3.44

70
3.45
REF: D5/A-501
CW10, CW11



NO	DESCRIPTION	DATE
1	1ST REVISION, CW	12/23/19
2	1ST SUBMISSION, GL	11/13/19

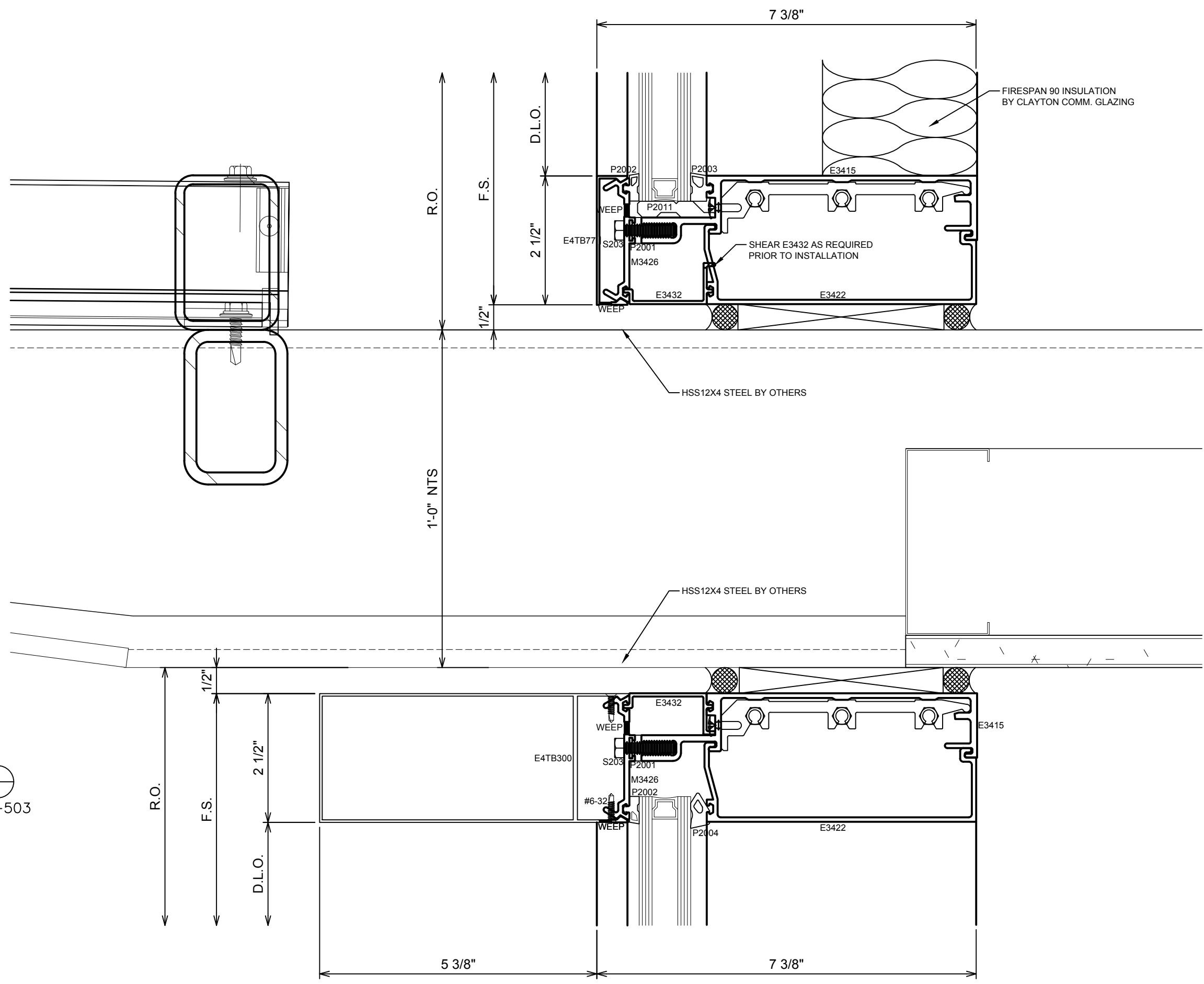
CLAYTON COMMERCIAL GLAZING
 435 E SECOND ST.
 CLAYTON, NC 27520
 (919)-550-0109

PROJECT: PALISADES 3 SHELL OFFICE BUILDING
 LOCATION: 3401 TRINITY ROAD
 RALEIGH, NC 27607
 (EXTERIOR CURTAINWALL SUBMITTAL)

DRAWN BY:	GL	DATE:	11/13/19
CHECKED BY:	JB	DATE:	11/13/19
JOB NO.:			

3.45

71
3.46
REF: A1/A-503
CW10



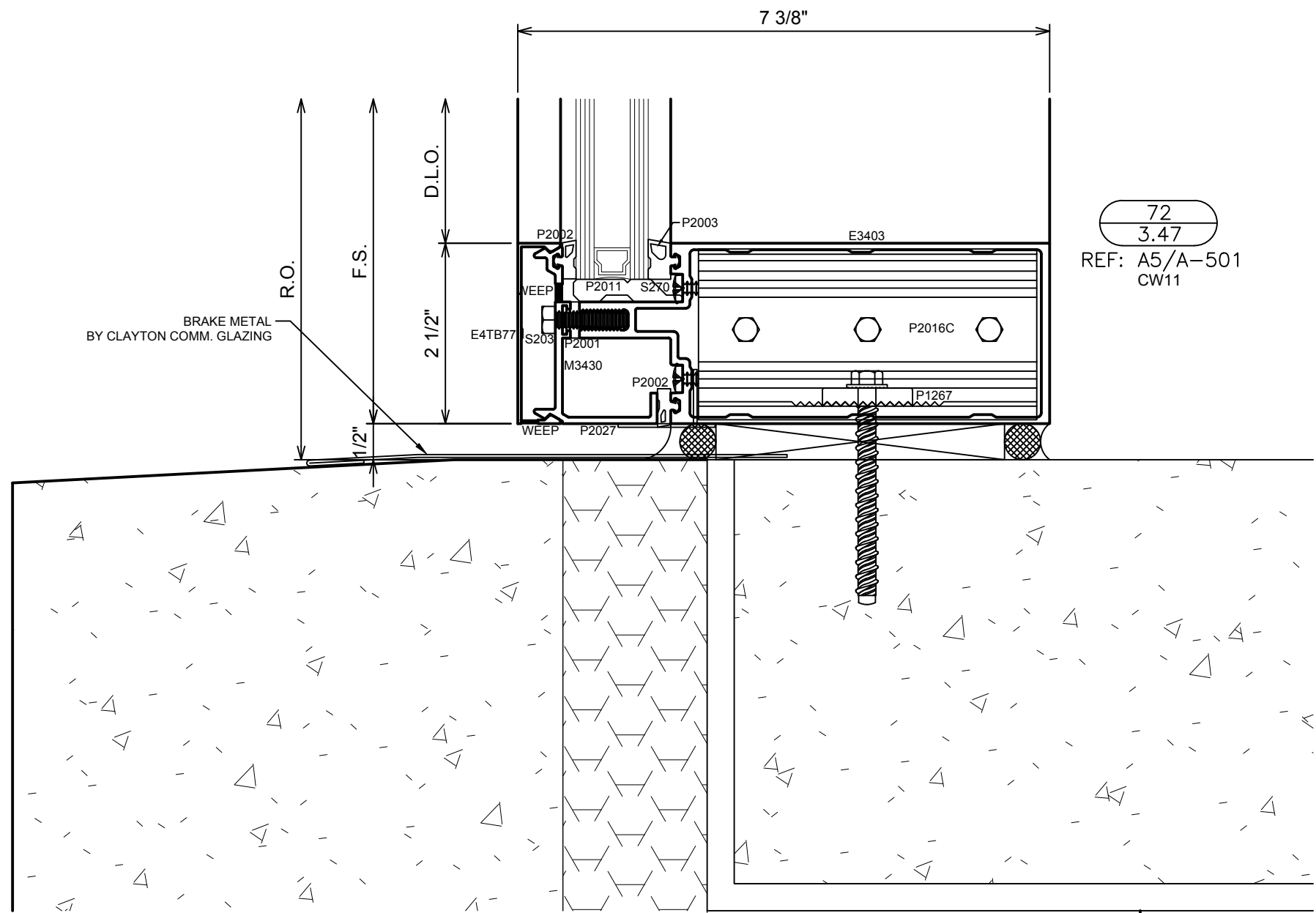
NO	DESCRIPTION	DATE
1	1ST REVISION, CW	12/23/19
2	1ST SUBMISSION, GL	11/13/19

CLAYTON COMMERCIAL GLAZING
435 E SECOND ST.
CLAYTON, NC 27520
(919)-550-0109

PROJECT:	PALISADES 3 SHELL OFFICE BUILDING
LOCATION:	5401 TRINITY ROAD
	RALEIGH, NC 27607
	(EXTERIOR CURTAINWALL SUBMITTAL)

DRAWN BY:	GL	DATE:	11/13/19
CHECKED BY:	JB	DATE:	11/13/19
JOB NO.:			

3.46



72
3.47
REF: A5/A-501
CW11

BRAKE METAL
BY CLAYTON COMM. GLAZING

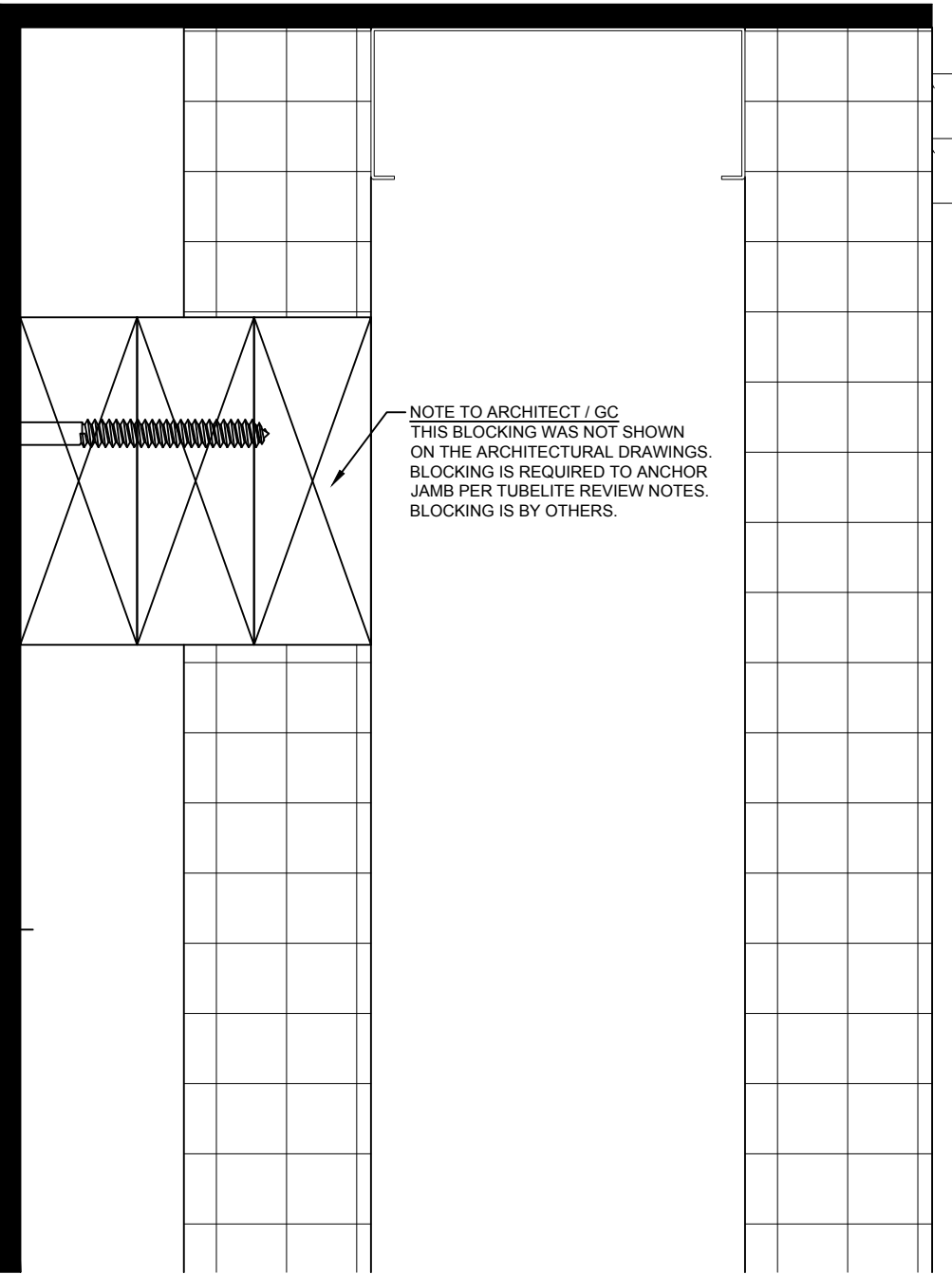
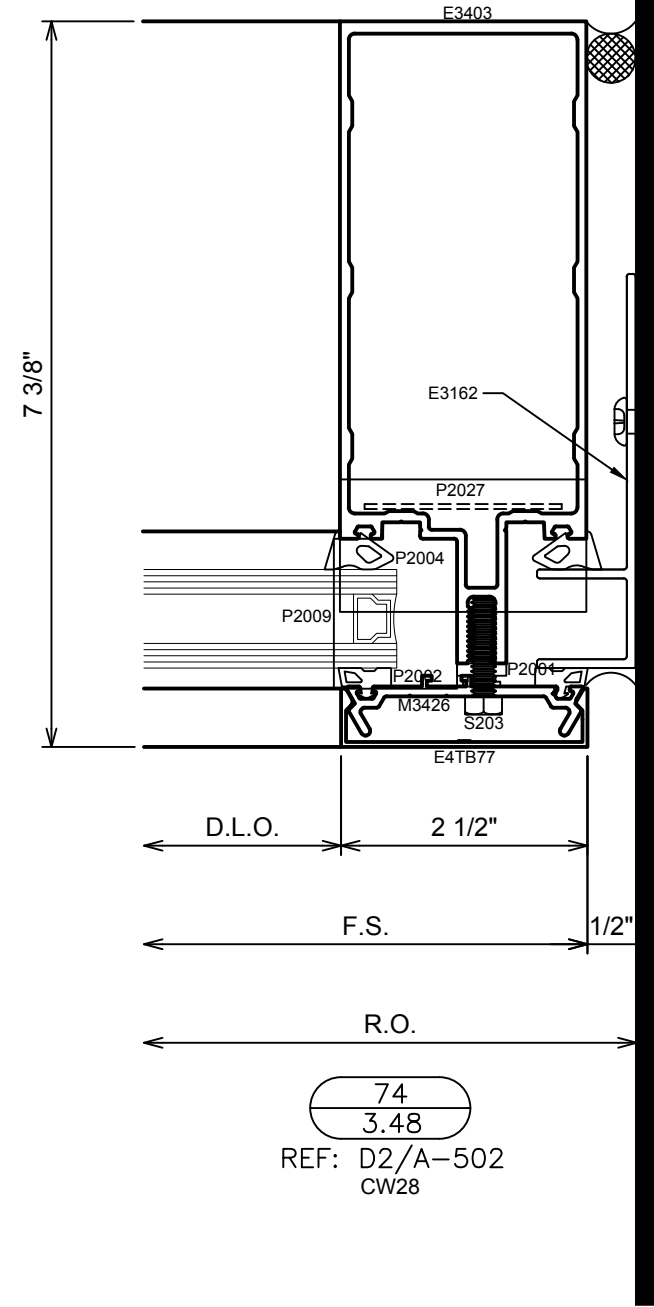
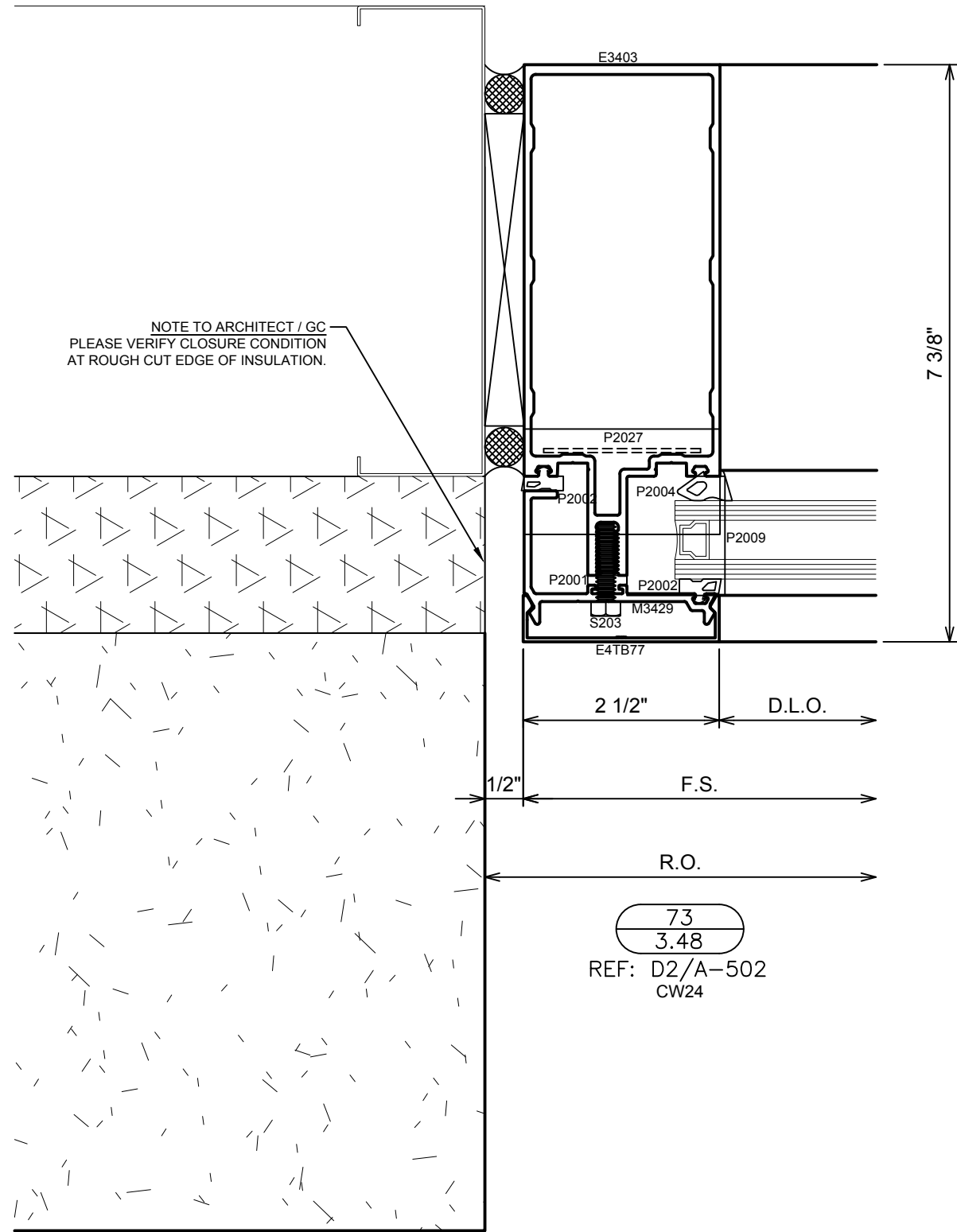
NO	DESCRIPTION	DATE

CLAYTON COMMERCIAL GLAZING
435 E SECOND ST.
CLAYTON, NC 27520
(919)-550-0109

PROJECT: PALISADES 3 SHELL OFFICE BUILDING
LOCATION: 3401 TRINITY ROAD
RALEIGH, NC 27607
(EXTERIOR CURTAINWALL SUBMITTAL)

DRAWN BY:	GL	DATE:	11/13/19
CHECKED BY:	JB	DATE:	11/13/19
JOB NO.:			

3.47



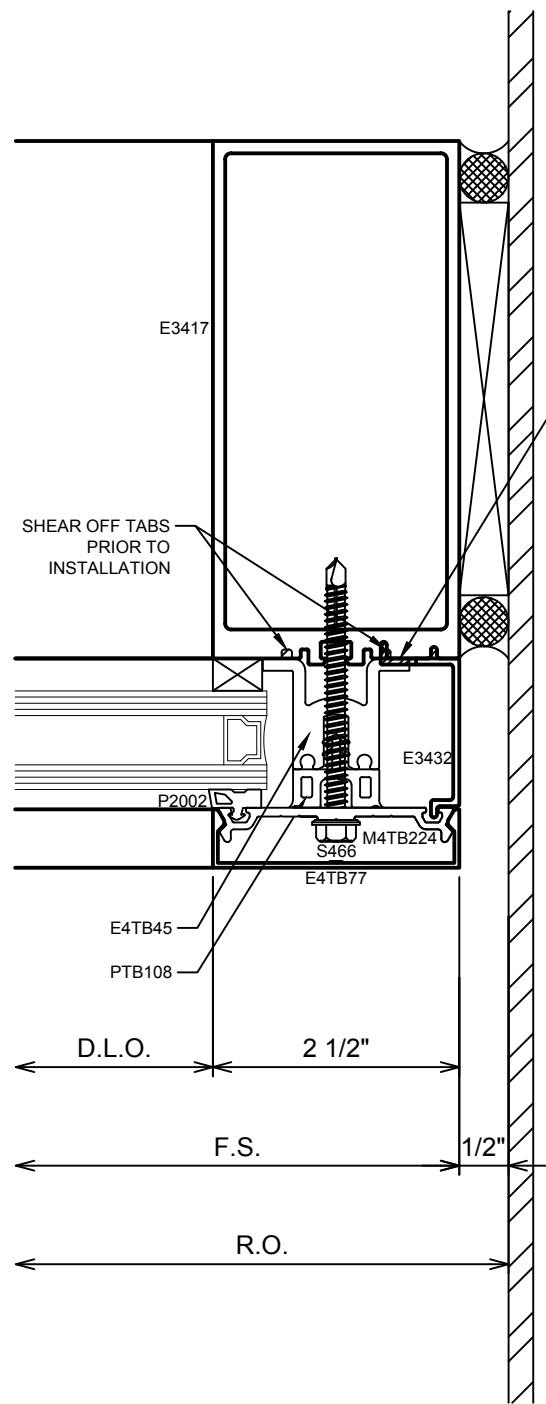
NO	DESCRIPTION	DATE
1	1ST REVISION, CW	12/23/19
2	1ST SUBMISSION, GL	11/13/19

CLAYTON COMMERCIAL GLAZING
435 E SECOND ST.
CLAYTON, NC 27520
(919)-550-0109

PROJECT: PALISADES 3 SHELL OFFICE BUILDING
LOCATION: 3401 TRINITY ROAD
RALEIGH, NC 27607
(EXTERIOR CURTAINWALL SUBMITTAL)

DRAWN BY:	GL	DATE:	11/13/19
CHECKED BY:	JB	DATE:	11/13/19

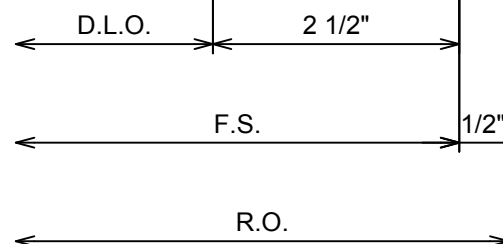
JOB NO.:
3.48



SHEAR E3432 AS REQUIRED PRIOR TO INSTALLATION

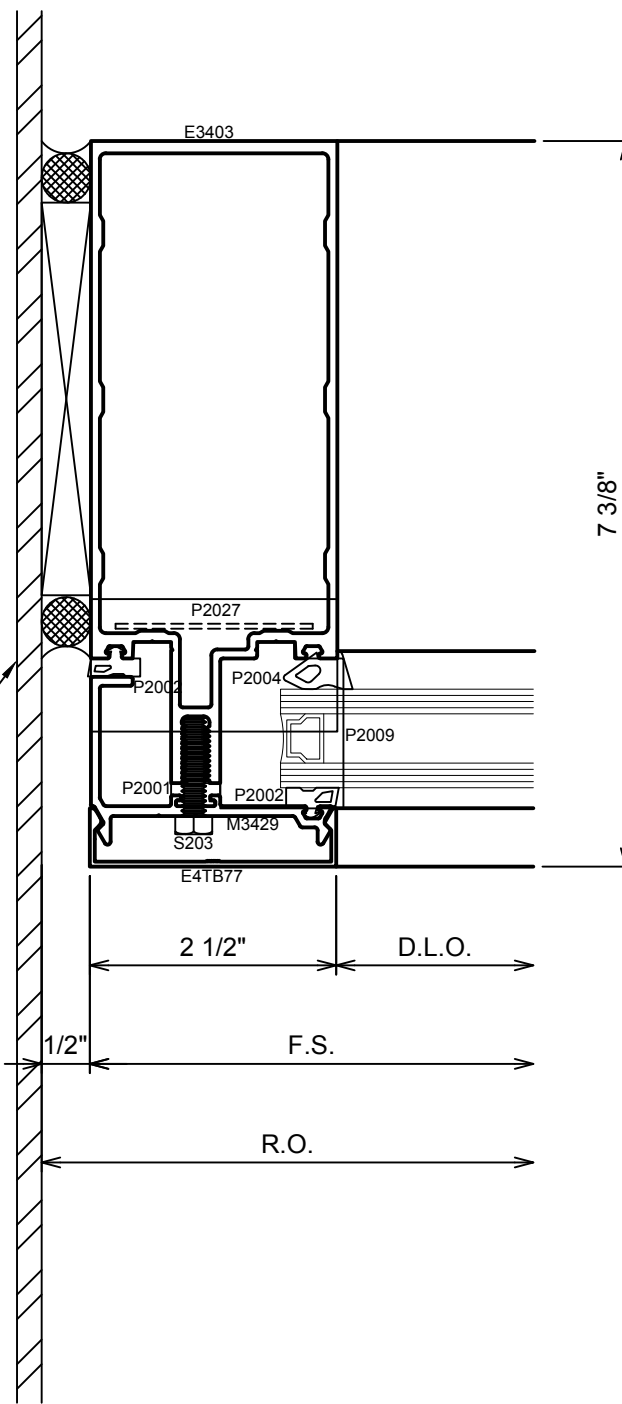
SHEAR OFF TABS PRIOR TO INSTALLATION

HSS12X4 STEEL BY OTHERS



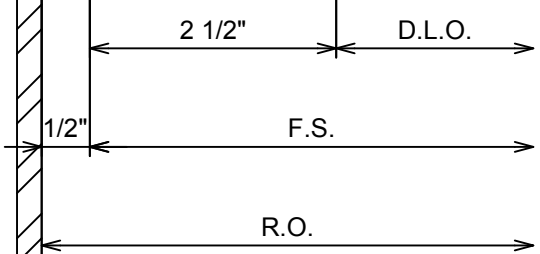
75
3.49

REF: AS/S-404
CW10



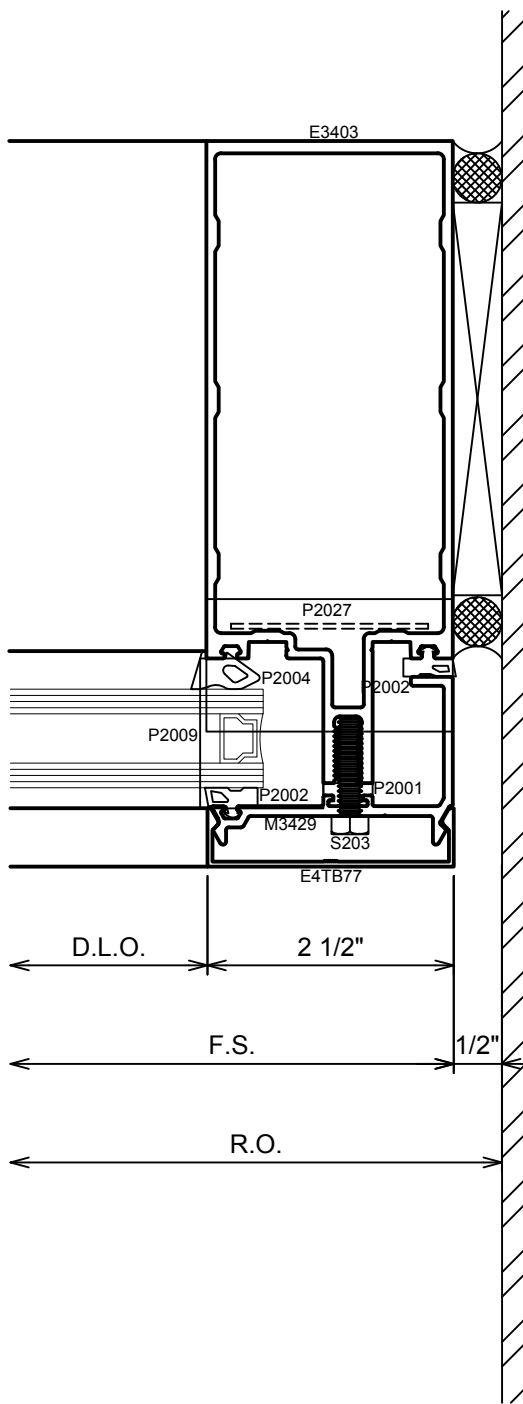
7 3/8"

HSS12X4 STEEL BY OTHERS



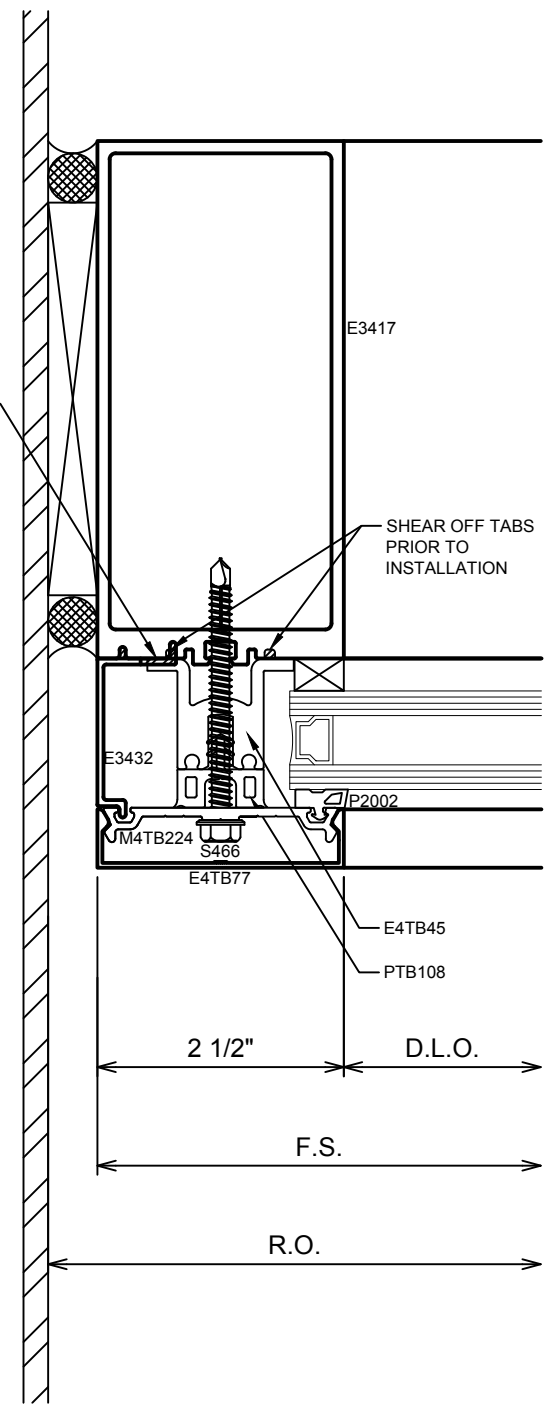
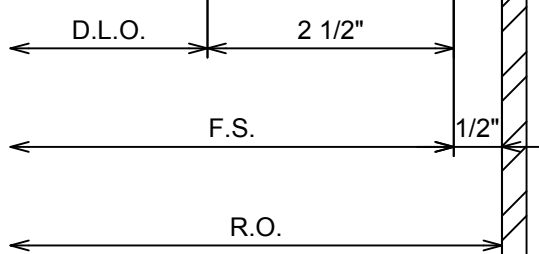
76
3.49

REF: AS/S-404
CW10



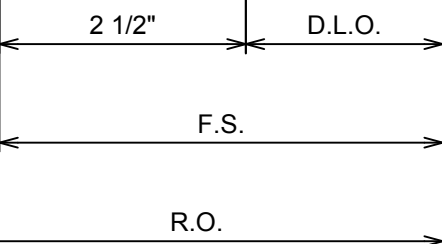
SHEAR E3432 AS REQUIRED PRIOR TO INSTALLATION

HSS12X4 STEEL BY OTHERS



SHEAR OFF TABS PRIOR TO INSTALLATION

HSS12X4 STEEL BY OTHERS



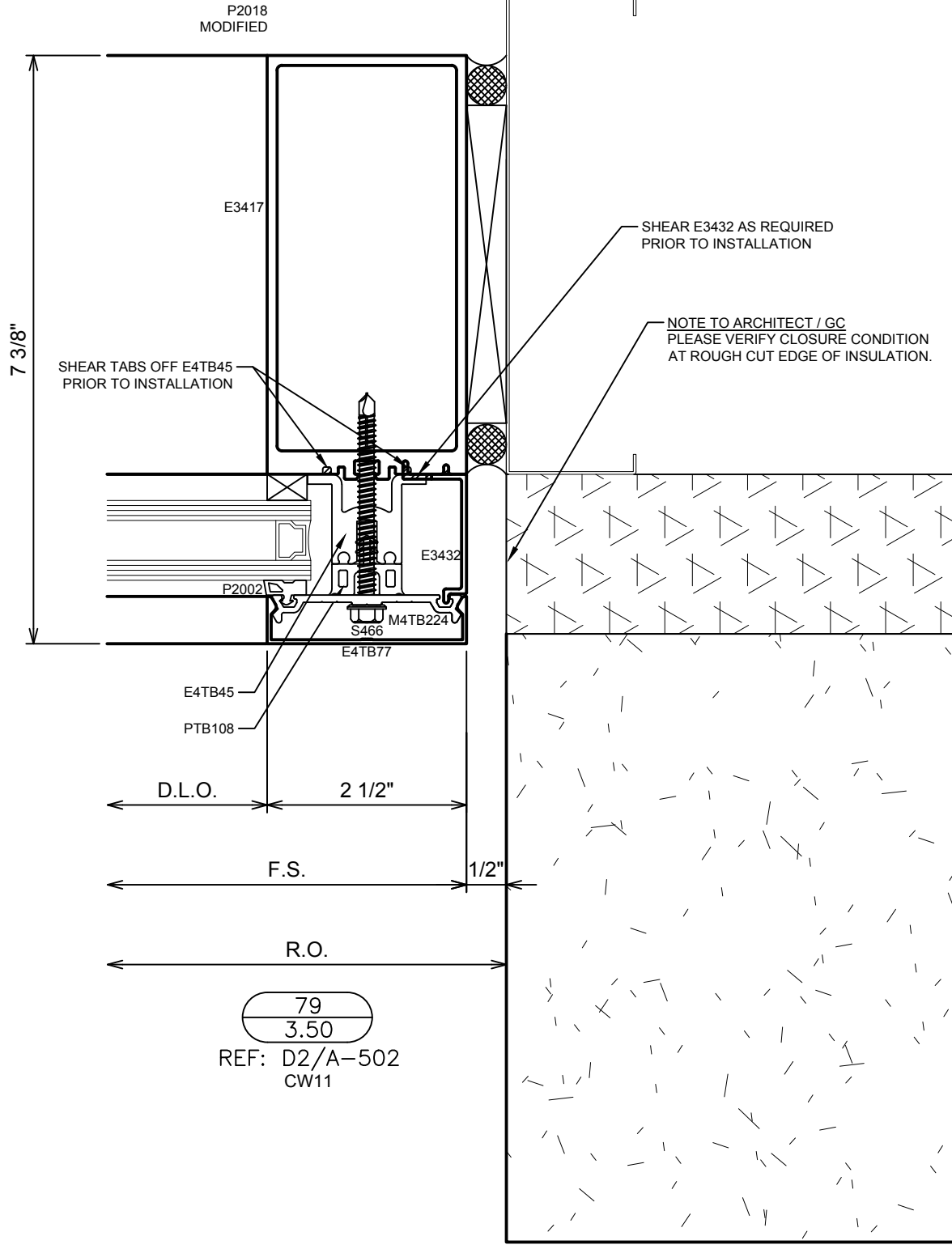
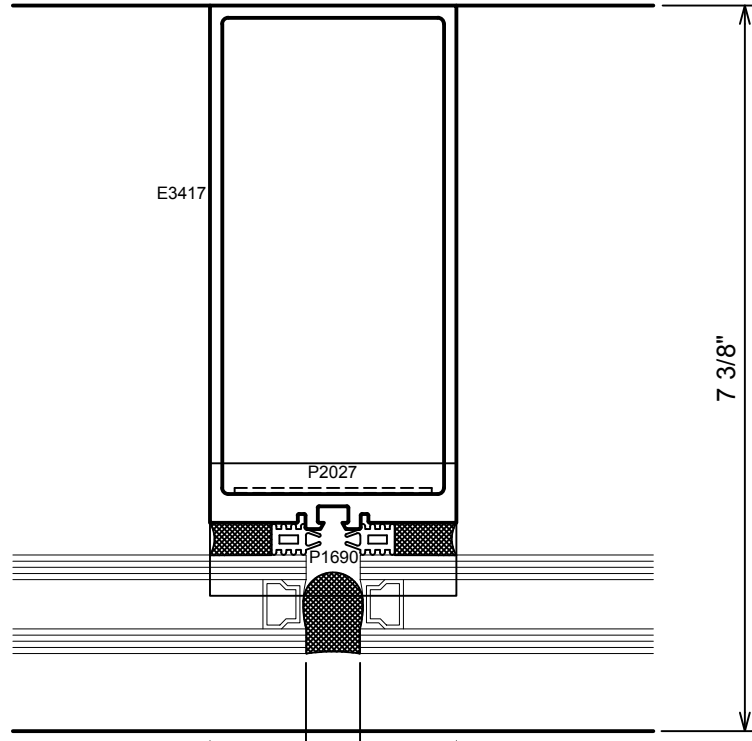
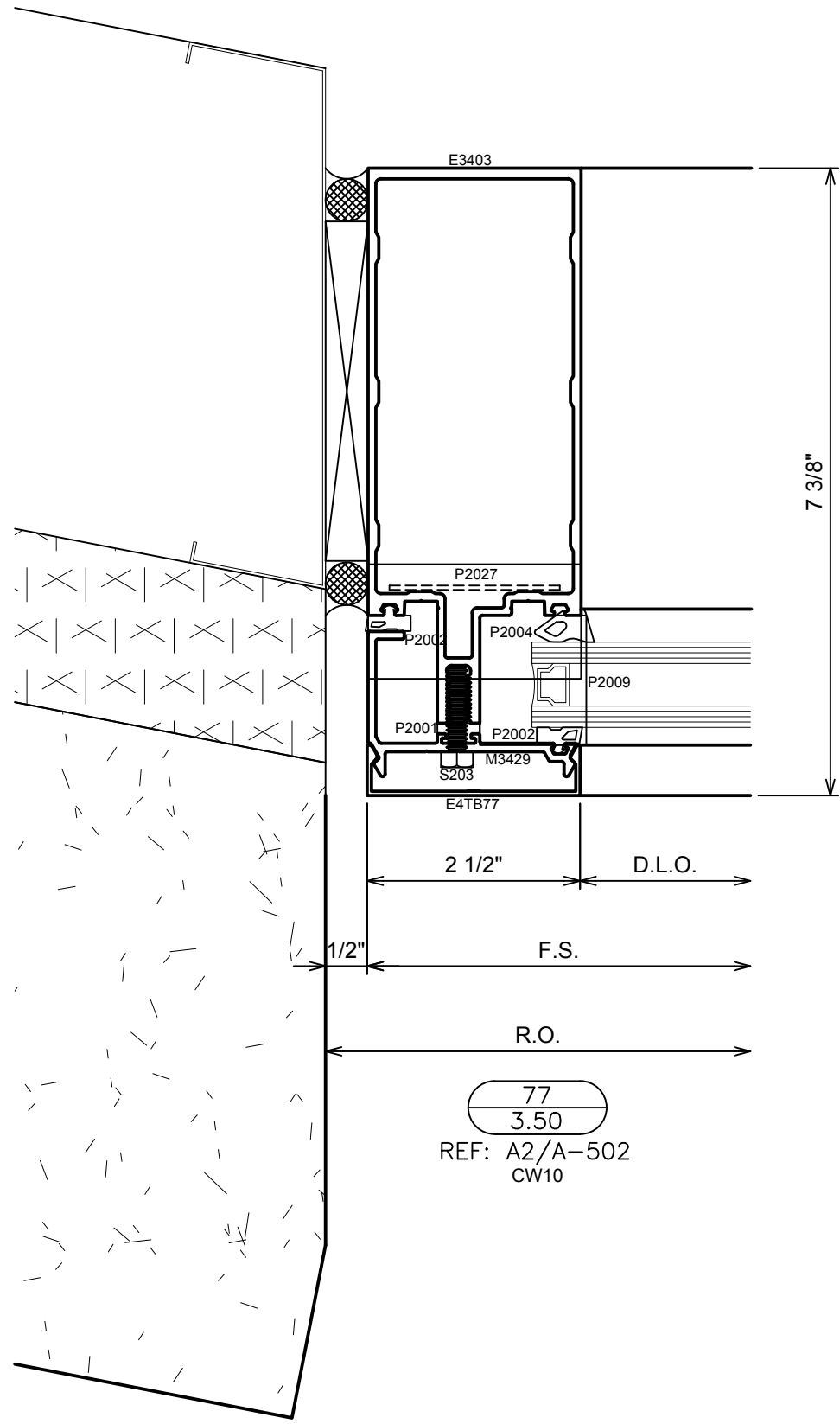
NO	DESCRIPTION	DATE
1	1ST REVISION, CW	12/23/19
2	1ST SUBMISSION, GL	11/13/19

CLAYTON COMMERCIAL GLAZING
435 E SECOND ST.
CLAYTON, NC 27520
(919)-550-0109

PROJECT: PALISADES 3 SHELL OFFICE BUILDING
LOCATION: 3401 TRINITY ROAD
RALEIGH, NC 27607
(EXTERIOR CURTAINWALL SUBMITTAL)

DRAWN BY:	GL	DATE:	11/13/19
CHECKED BY:	JB	DATE:	11/13/19
JOB NO.:			

3.49



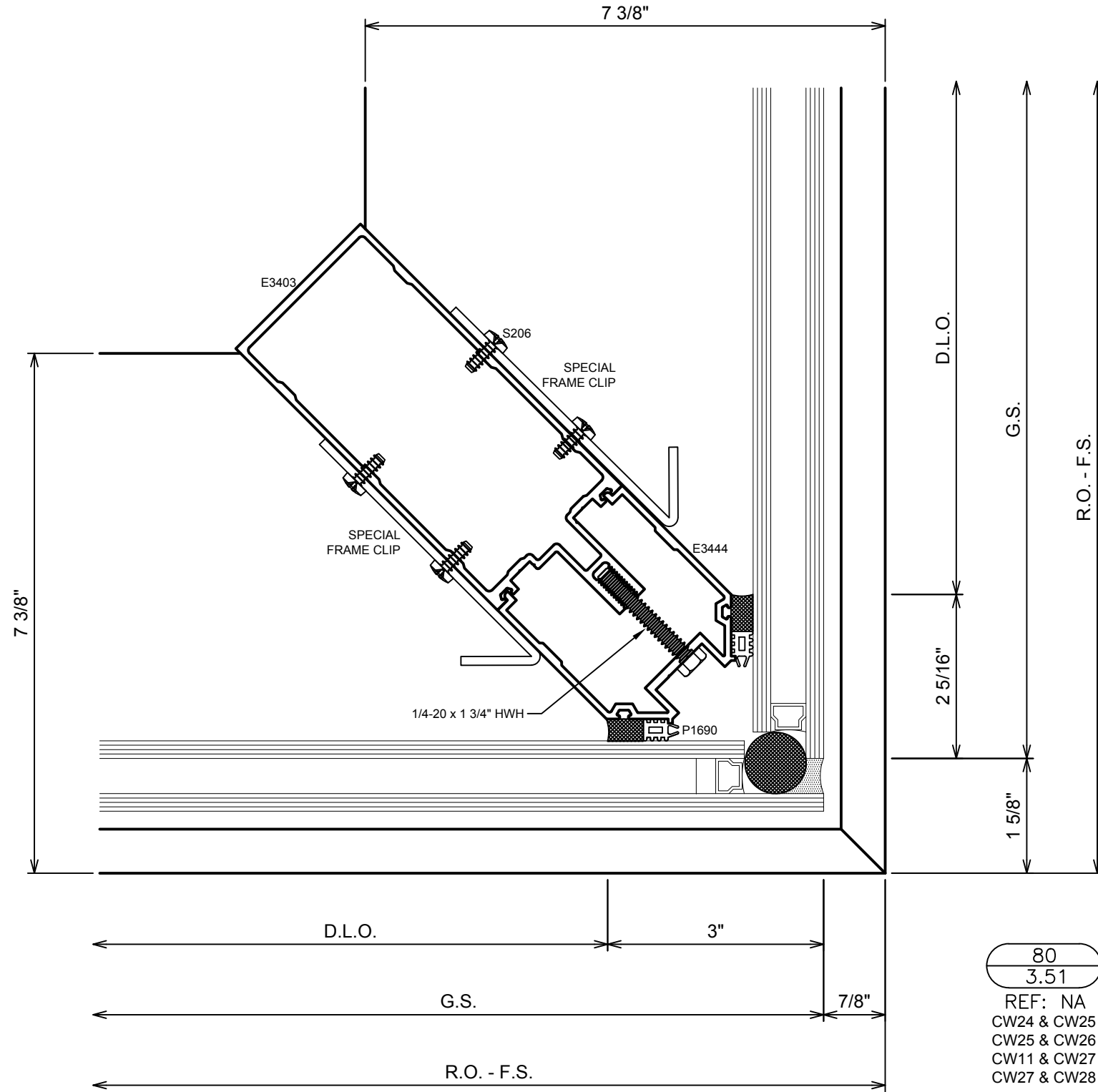
NO	DESCRIPTION	DATE
1	1ST REVISION, CW	12/23/19
2	1ST SUBMISSION, GL	11/13/19

CLAYTON COMMERCIAL GLAZING
 435 E SECOND ST.
 CLAYTON, NC 27520
 (919)-550-0109

PROJECT: PALISADES 3 SHELL OFFICE BUILDING
 LOCATION: 5401 TRINITY ROAD
 RALEIGH, NC 27607
 (EXTERIOR CURTAINWALL SUBMITTAL)

DRAWN BY:	GL	DATE:	11/13/19
CHECKED BY:	JB	DATE:	11/13/19
JOB NO.:			

3.50



80
3.51

REF: NA
CW24 & CW25
CW25 & CW26
CW11 & CW27
CW27 & CW28

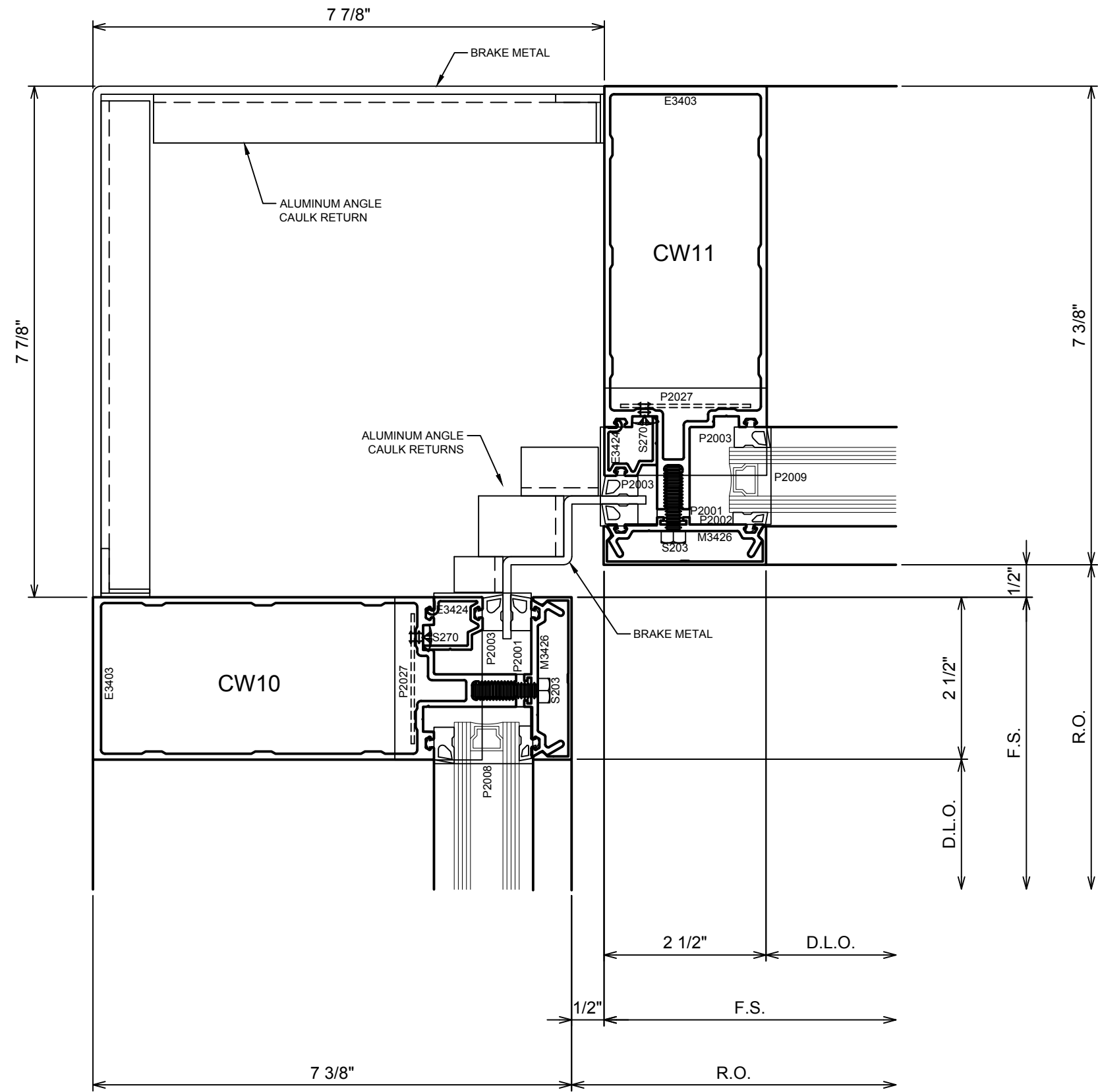
NO	DESCRIPTION	DATE
	1ST REVISION, CW	12/23/19
	1ST SUBMISSION, GL	11/13/19

CLAYTON COMMERCIAL GLAZING
435 E SECOND ST.
CLAYTON, NC 27520
(919)-550-0109

PROJECT: PALISADES 3 SHELL OFFICE BUILDING
LOCATION: 3401 TRINITY ROAD
RALEIGH, NC 27607
(EXTERIOR CURTAINWALL SUBMITTAL)

DRAWN BY:	DATE:
GL	11/13/19
CHECKED BY:	DATE:
JB	11/13/19
JOB NO.:	

3.51



81
3.52
REF: NA
CW10 & CW11

PROJECT: PALISADES 3 SHELL OFFICE BUILDING
 LOCATION: 3401 TRINITY ROAD
 RALEIGH, NC 27607
 (EXTERIOR CURTAINWALL SUBMITTAL)

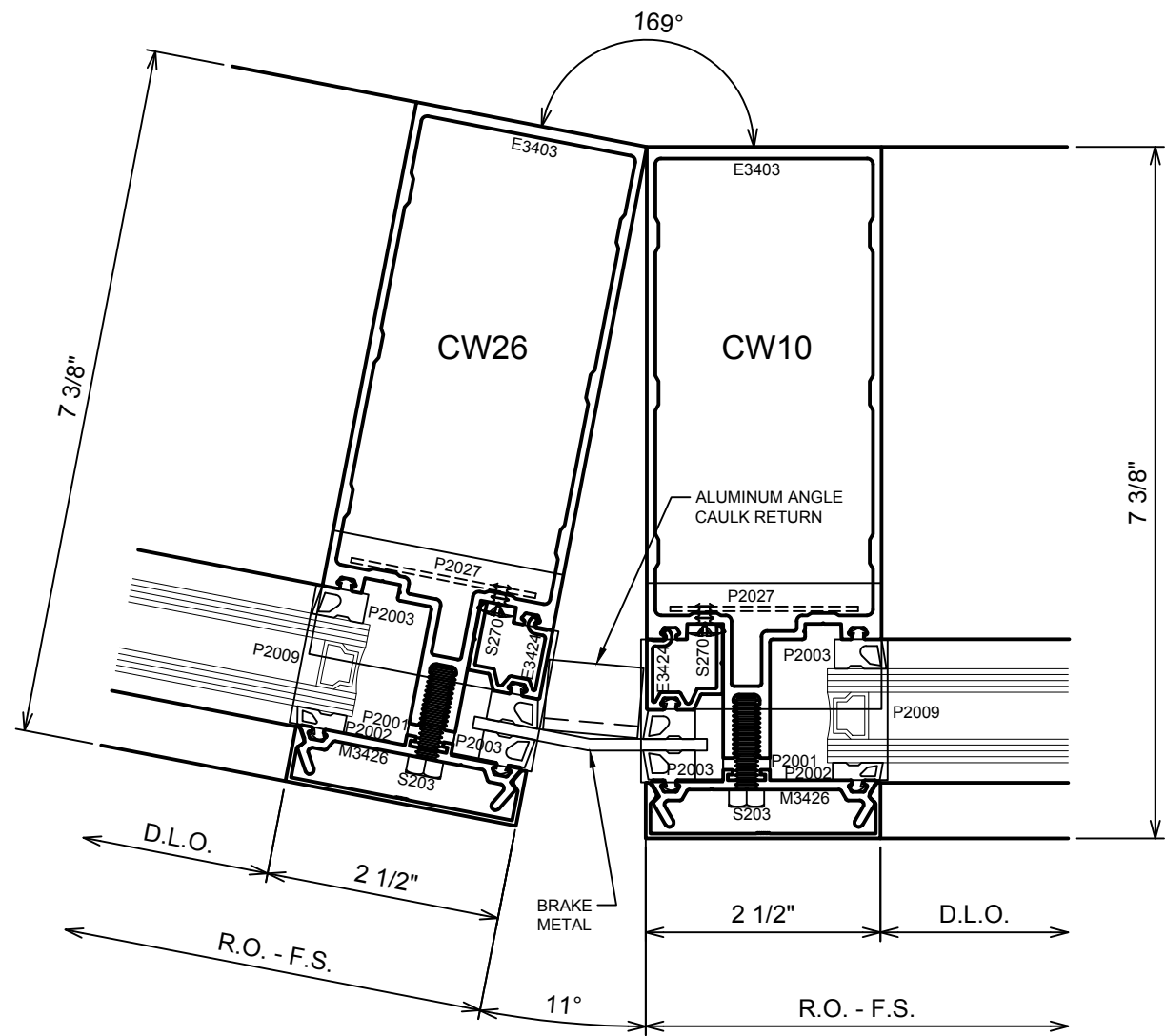
NO	DESCRIPTION	DATE
1	1ST REVISION, CW	12/23/19
2	1ST SUBMISSION, GL	11/13/19

DRAWN BY:	GL	DATE:	11/13/19
CHECKED BY:	JB	DATE:	11/13/19
JOB NO.:			

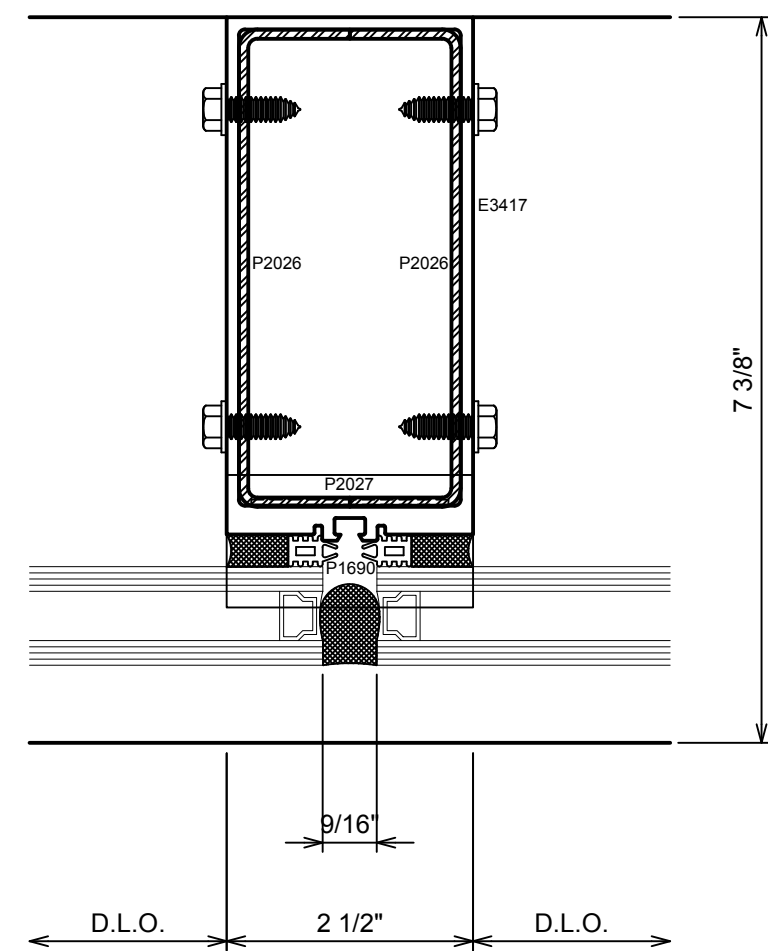
3.52

CLAYTON COMMERCIAL GLAZING
 435 E SECOND ST.
 CLAYTON, NC 27520
 (919)-550-0109

DRAWING SUBMISSION



82
3.53
REF: C2/A-502
CW26 & CW10



83
3.53
REF: WORKING SPLICE
TYPICAL AS OCCURS
5 1/4" SSG MULLION

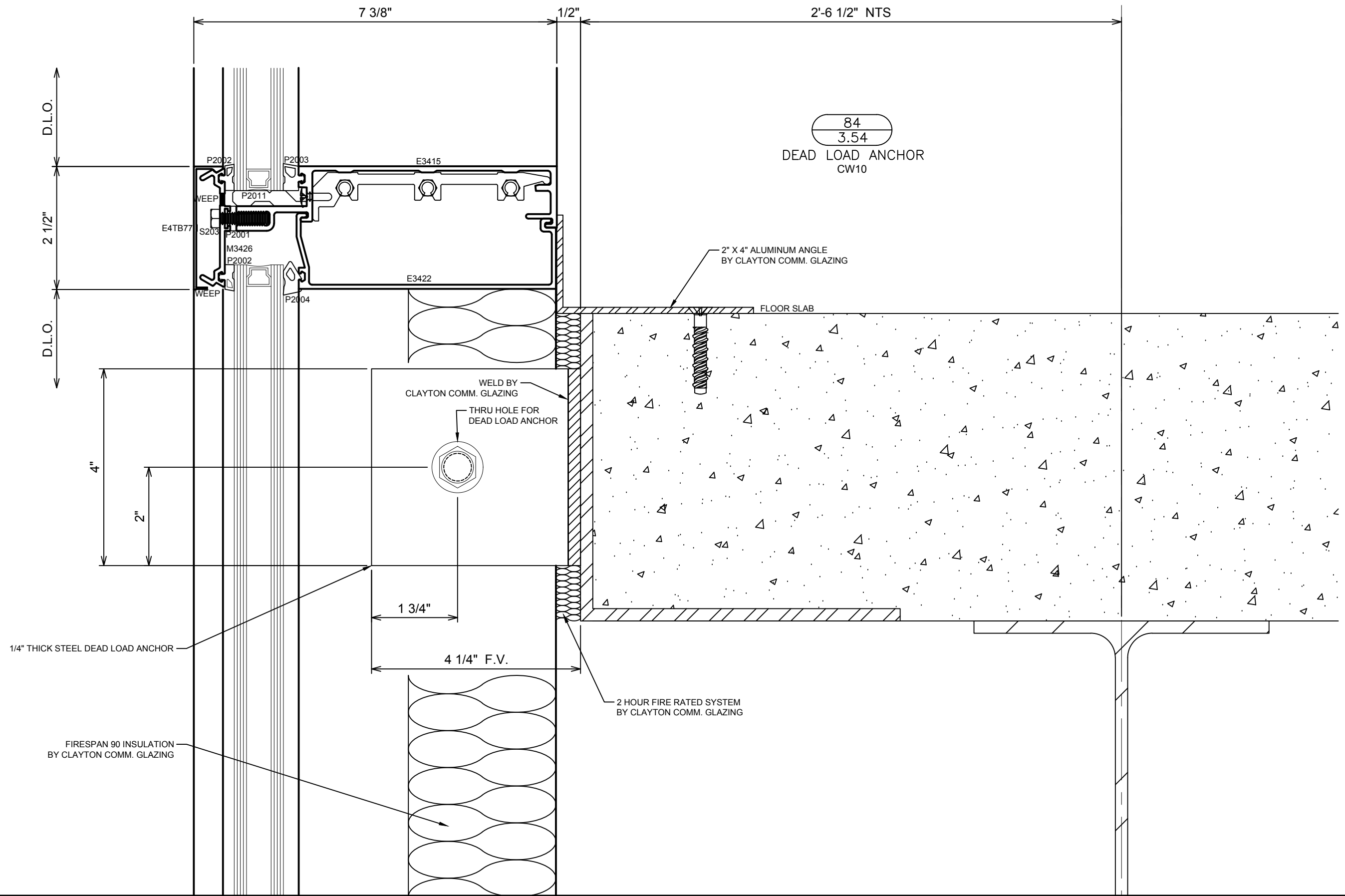
NO	DESCRIPTION	DATE
1	1ST REVISION, CW	12/23/19
2	1ST SUBMISSION, GL	11/13/19

CLAYTON COMMERCIAL GLAZING
435 E SECOND ST.
CLAYTON, NC 27520
(919)-550-0109

PROJECT: PALISADES 3 SHELL OFFICE BUILDING
LOCATION: 5401 TRINITY ROAD
RALEIGH, NC 27607
(EXTERIOR CURTAINWALL SUBMITTAL)

DRAWN BY:	DATE:
GL	11/13/19
CHECKED BY:	DATE:
JB	11/13/19

JOB NO.:
3.53

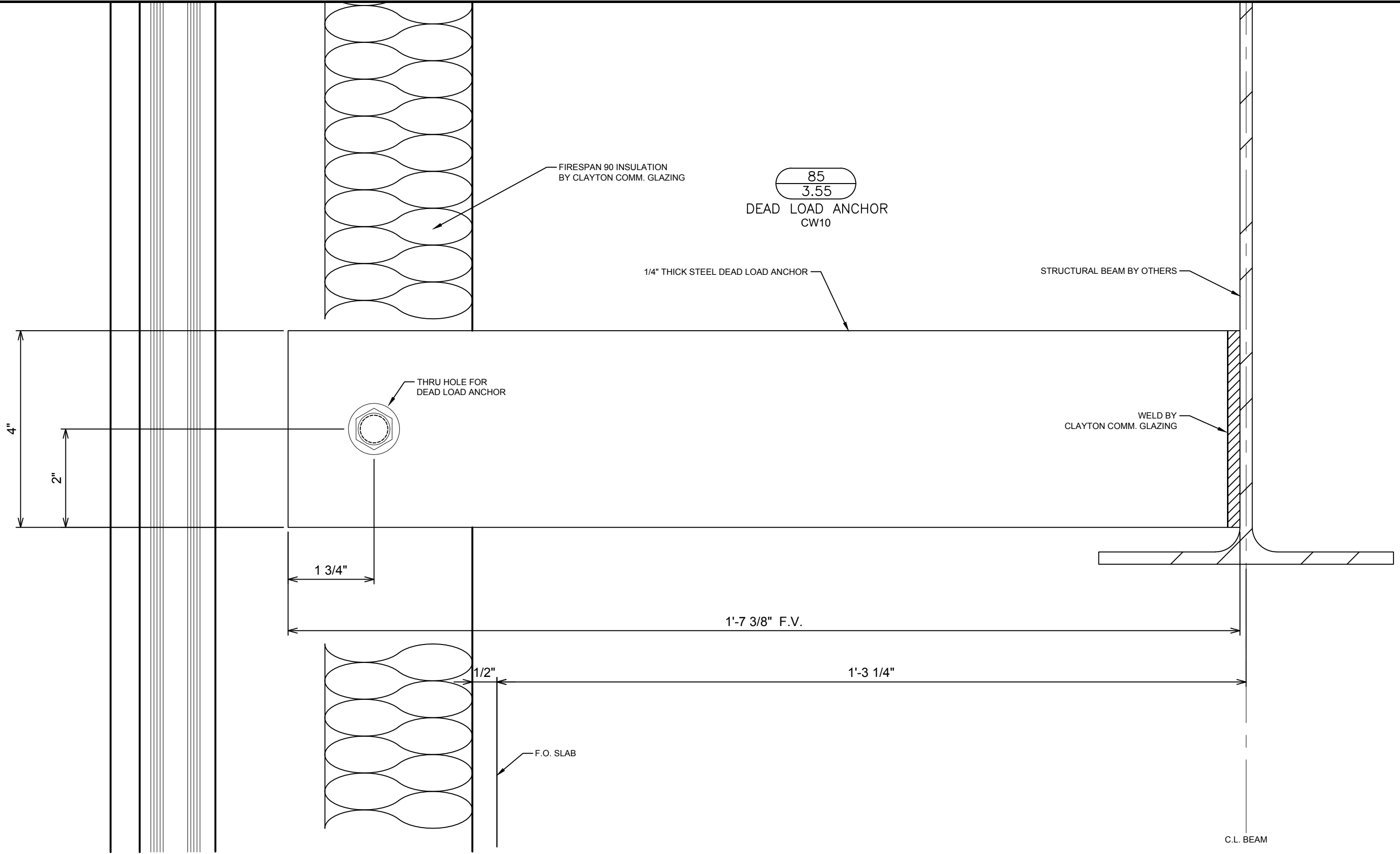


NO	DESCRIPTION	DATE
1	1ST REVISION, CW	12/23/19
2	1ST SUBMISSION, GL	11/13/19

CLAYTON COMMERCIAL GLAZING
 435 E SECOND ST.
 CLAYTON, NC 27520
 (919)-550-0109

PROJECT:	PALISADES 3 SHELL OFFICE BUILDING
LOCATION:	5401 TRINITY ROAD RALEIGH, NC 27607
EXTERIOR CURTAINWALL SUBMITTAL	

DRAWN BY:	GL	DATE:	11/13/19
CHECKED BY:	JB	DATE:	11/13/19
JOB NO.:			



85
3.55

DEAD LOAD ANCHOR
CW10

FIRESPAN 90 INSULATION
BY CLAYTON COMM. GLAZING

1/4" THICK STEEL DEAD LOAD ANCHOR

STRUCTURAL BEAM BY OTHERS

THRU HOLE FOR
DEAD LOAD ANCHOR

WELD BY
CLAYTON COMM. GLAZING

4"

2"

1 3/4"

1'-7 3/8" F.V.

1'-3 1/4"

1/2"

F.O. SLAB

C.L. BEAM

NO	DESCRIPTION	DATE
1	1ST REVISION, CW	12/23/19
2	1ST SUBMISSION, GL	11/13/19

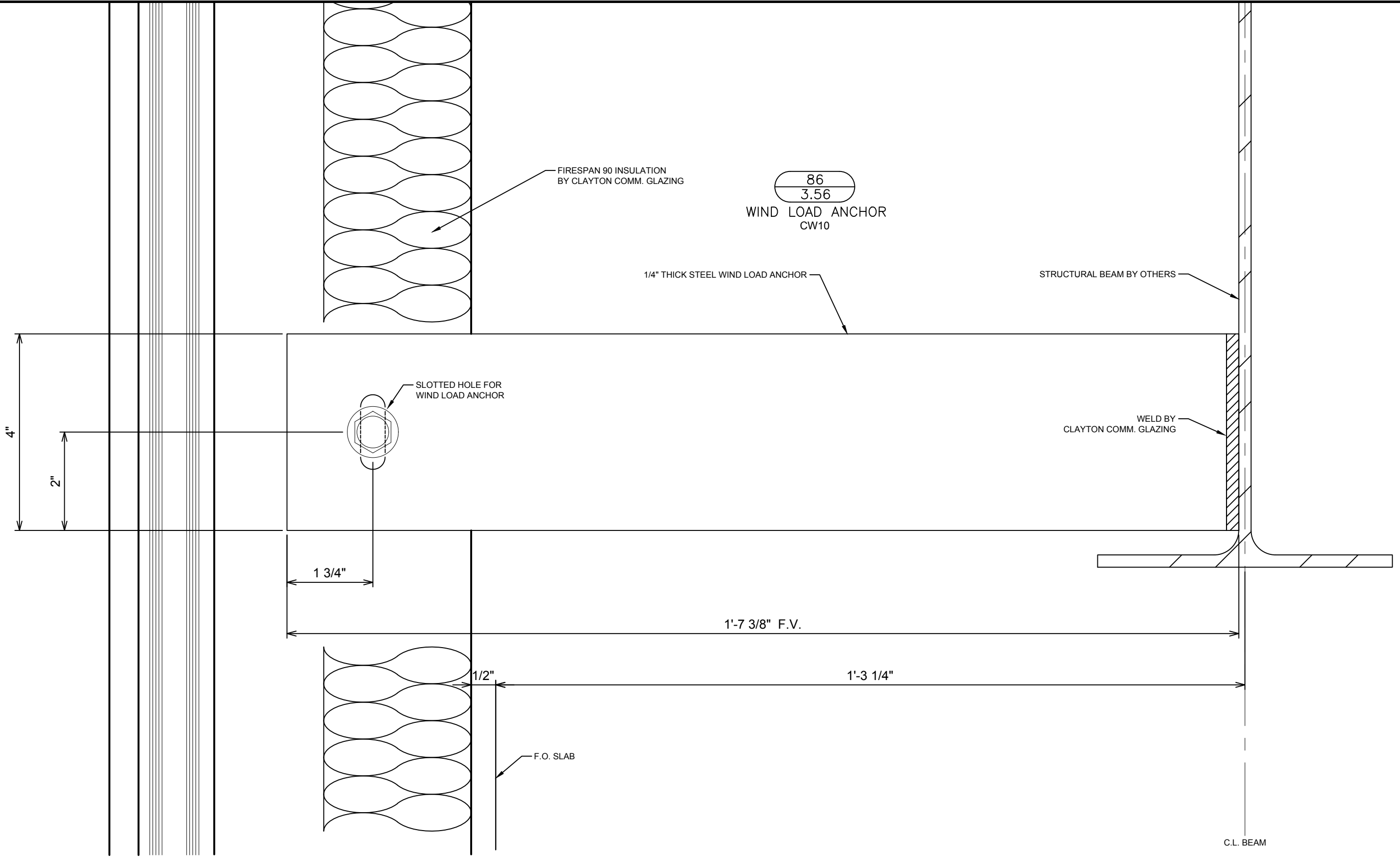
CLAYTON COMMERCIAL GLAZING
435 E SECOND ST.
CLAYTON, NC 27520
(919)-550-0109

PROJECT: PALISADES 3 SHELL OFFICE BUILDING
LOCATION: 3401 TRINITY ROAD
RALEIGH, NC 27607
(EXTERIOR CURTAINWALL SUBMITTAL)

DRAWN BY:	GL	DATE:	11/13/19
CHECKED BY:	JB	DATE:	11/13/19

JOB NO.:
3.55

DRAWING SUBMISSION



86
3.56

NO	DESCRIPTION	DATE
1	1ST REVISION, CW	12/23/19
2	1ST SUBMISSION, GL	11/13/19

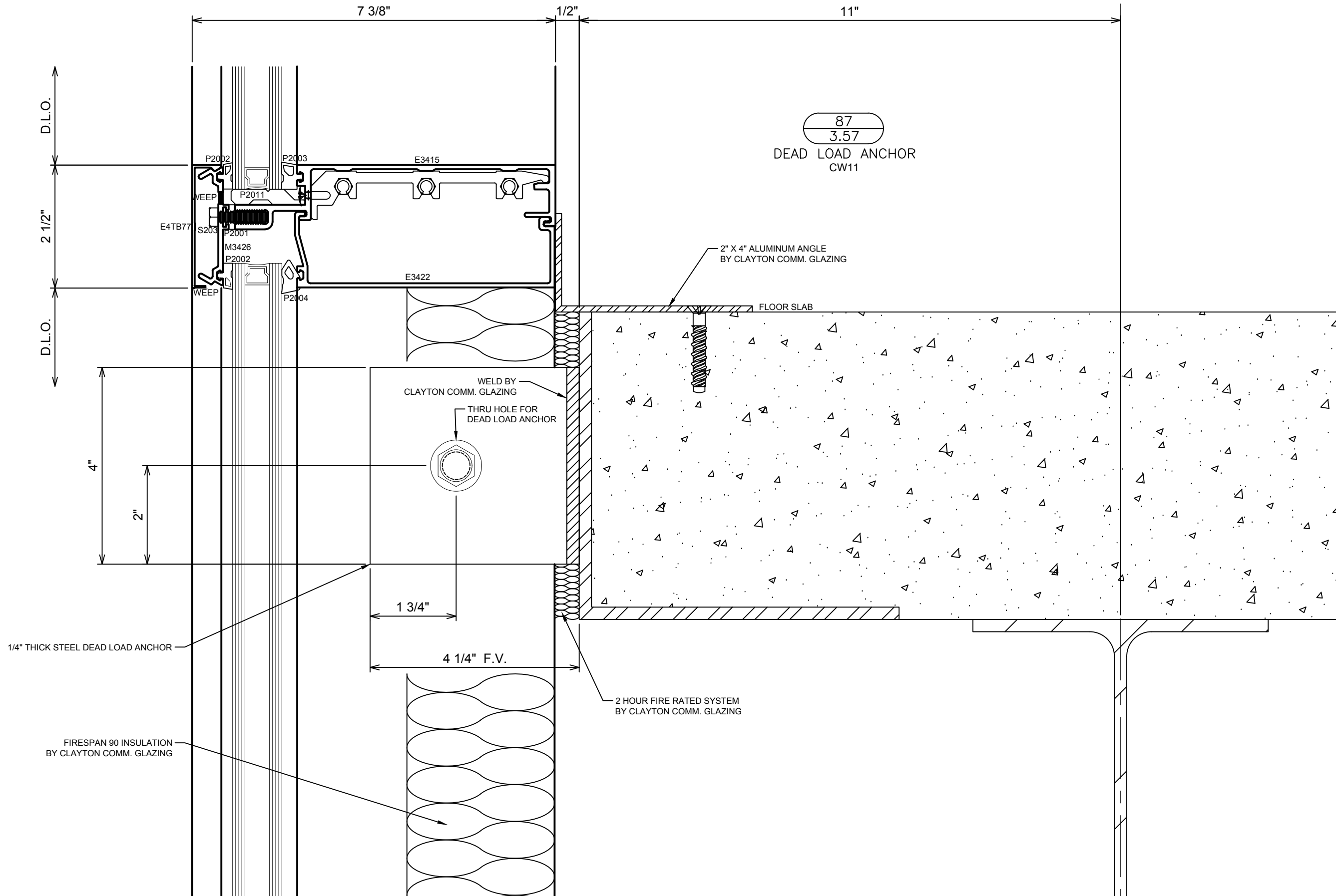
CLAYTON COMMERCIAL GLAZING
 435 E SECOND ST.
 CLAYTON, NC 27520
 (919)-550-0109

PROJECT:	PALISADES 3 SHELL OFFICE BUILDING
LOCATION:	3401 TRINITY ROAD
	RALEIGH, NC 27607
	(EXTERIOR CURTAINWALL SUBMITTAL)

DRAWN BY:	GL	DATE:	11/13/19
CHECKED BY:	JB	DATE:	11/13/19
JOB NO.:			

3.56

D



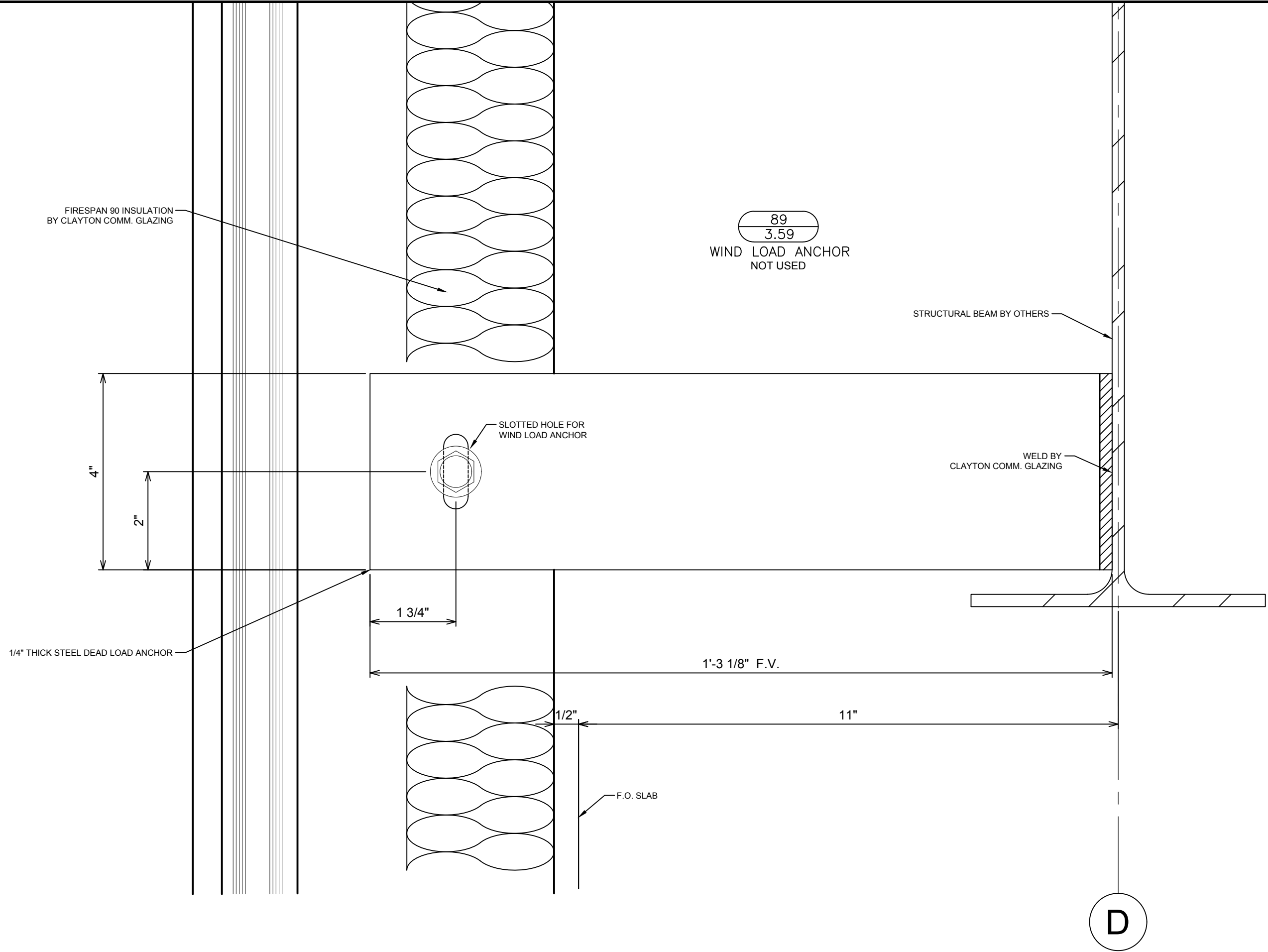
NO	DESCRIPTION	DATE
1	1ST REVISION, CW	12/23/19
2	1ST SUBMISSION, GL	11/13/19

CLAYTON COMMERCIAL GLAZING
 435 E SECOND ST.
 CLAYTON, NC 27520
 (919)-550-0109

PROJECT: PALISADES 3 SHELL OFFICE BUILDING
 LOCATION: 5401 TRINITY ROAD
 RALEIGH, NC 27607
 (EXTERIOR CURTAINWALL SUBMITTAL)

DRAWN BY:	DATE:
GL	11/13/19
CHECKED BY:	DATE:
JB	11/13/19
JOB NO.:	

3.57



89
3.59
 WIND LOAD ANCHOR
 NOT USED

D

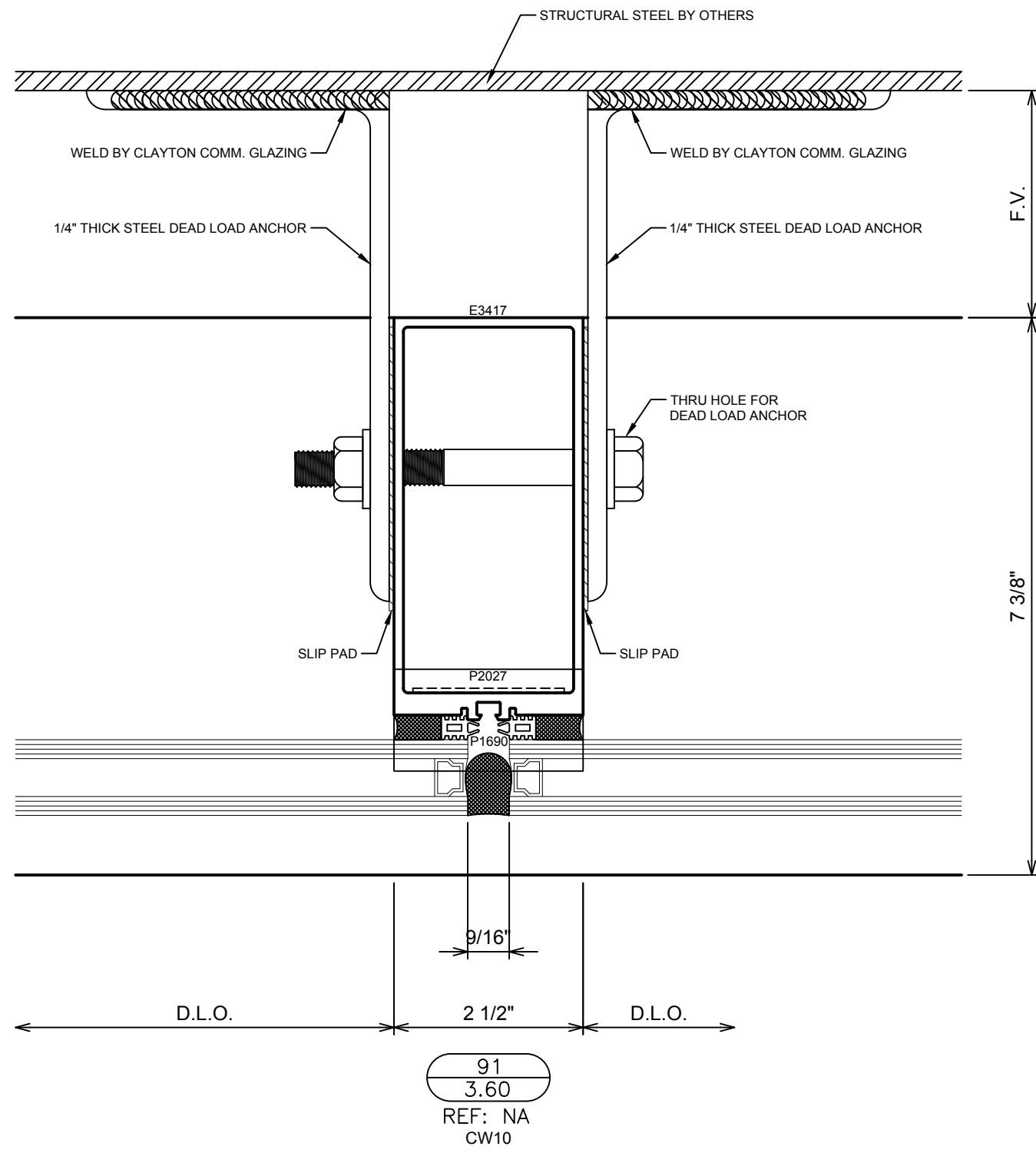
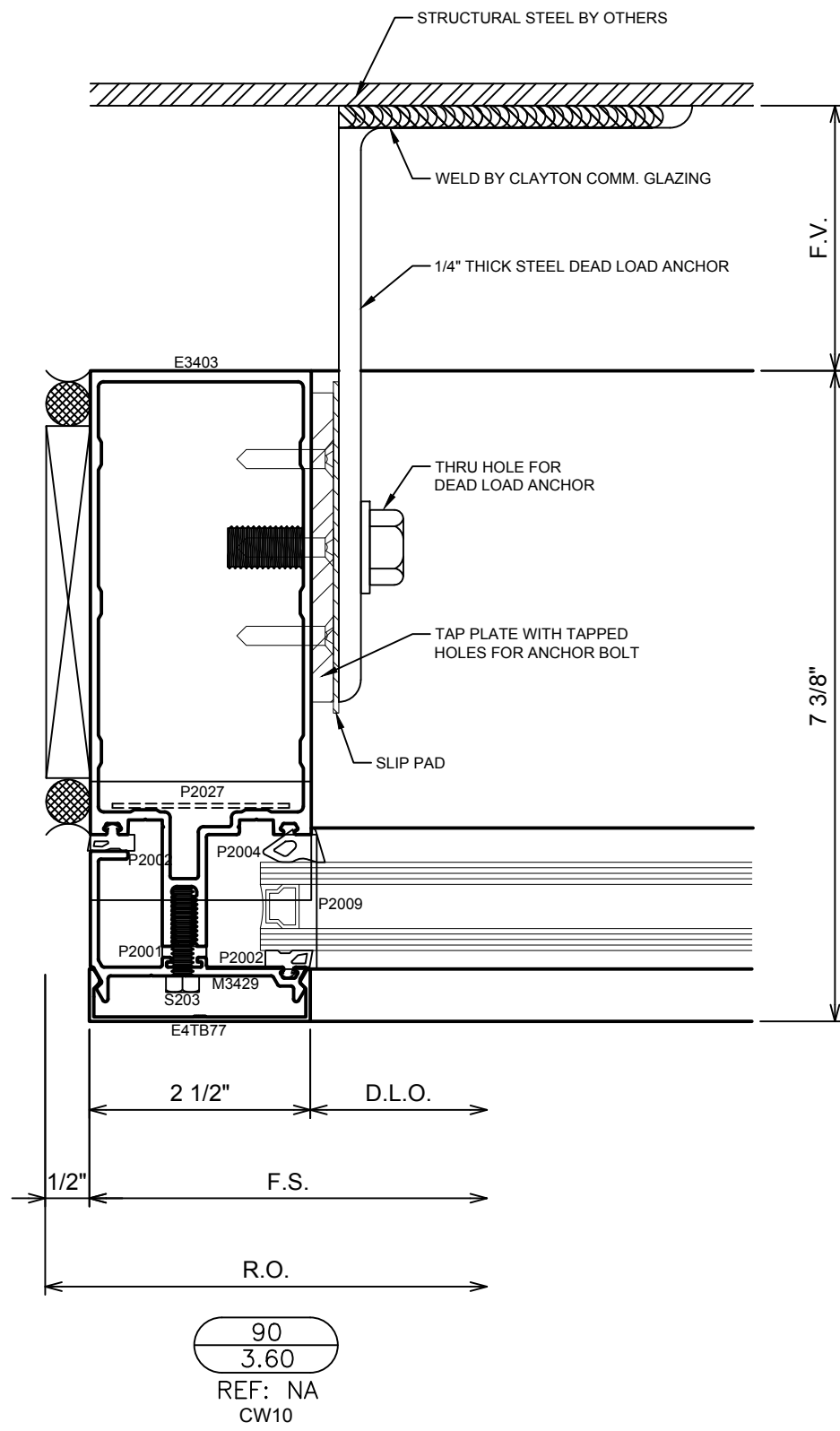
NO	DESCRIPTION	DATE

CLAYTON COMMERCIAL GLAZING
435 E SECOND ST.
CLAYTON, NC 27520
(919)-550-0109

PROJECT: PALISADES 3 SHELL OFFICE BUILDING
 LOCATION: 5401 TRINITY ROAD
 RALEIGH, NC 27607
 (EXTERIOR CURTAINWALL SUBMITTAL)

DRAWN BY:	GL	DATE:	11/13/19
CHECKED BY:	JB	DATE:	11/13/19
JOB NO.:			

3.59



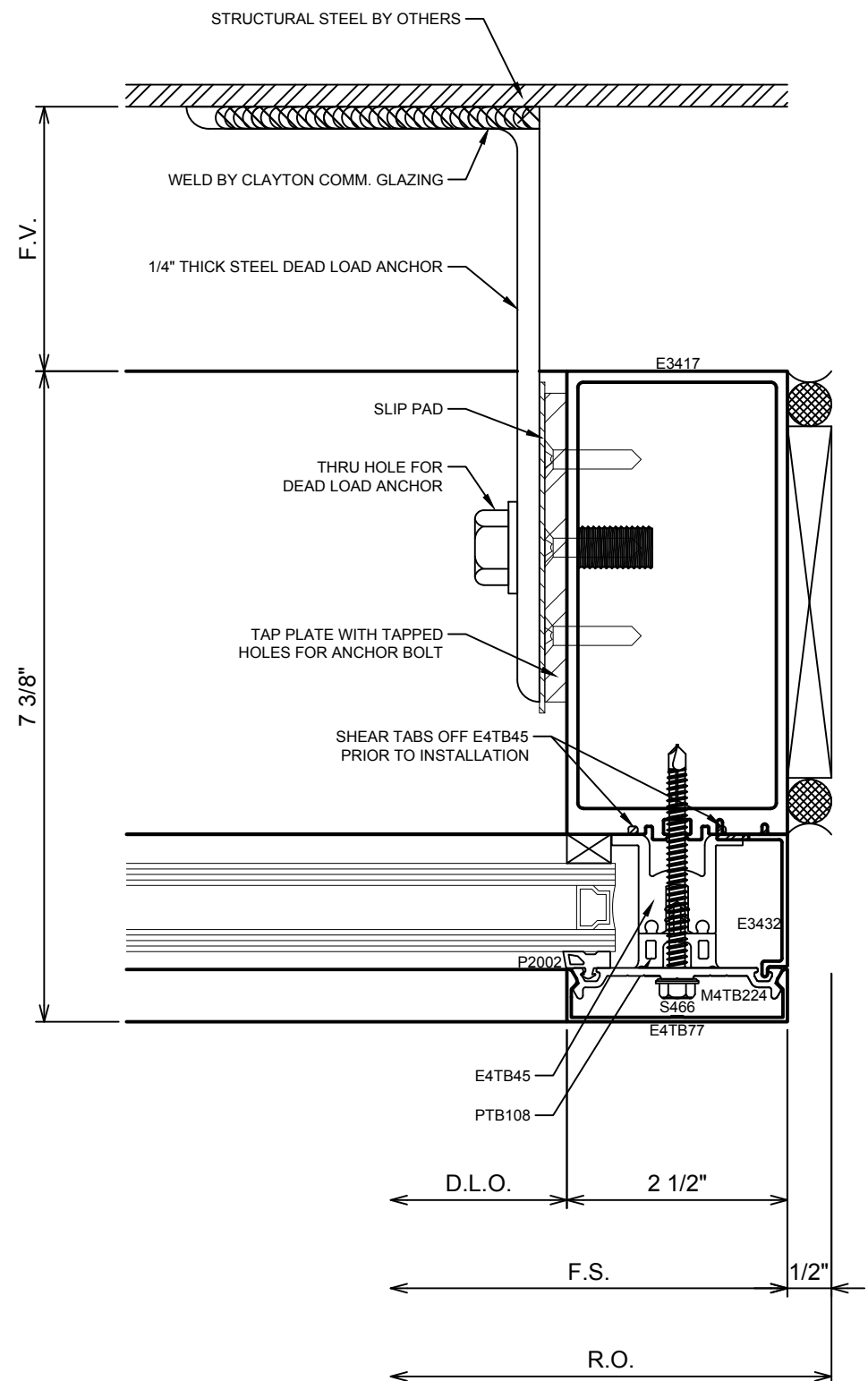
NO	DESCRIPTION	DATE
1	1ST REVISION, CW	12/23/19
2	1ST SUBMISSION, GL	11/13/19

CLAYTON COMMERCIAL GLAZING
 435 E SECOND ST.
 CLAYTON, NC 27520
 (919)-550-0109

PROJECT: PALISADES 3 SHELL OFFICE BUILDING
 LOCATION: 3401 TRINITY ROAD
 RALEIGH, NC 27607
 (EXTERIOR CURTAINWALL SUBMITTAL)

DRAWN BY:	GL	DATE:	11/13/19
CHECKED BY:	JB	DATE:	11/13/19
JOB NO.:			

3.60



92
3.61
REF: NA
CW11

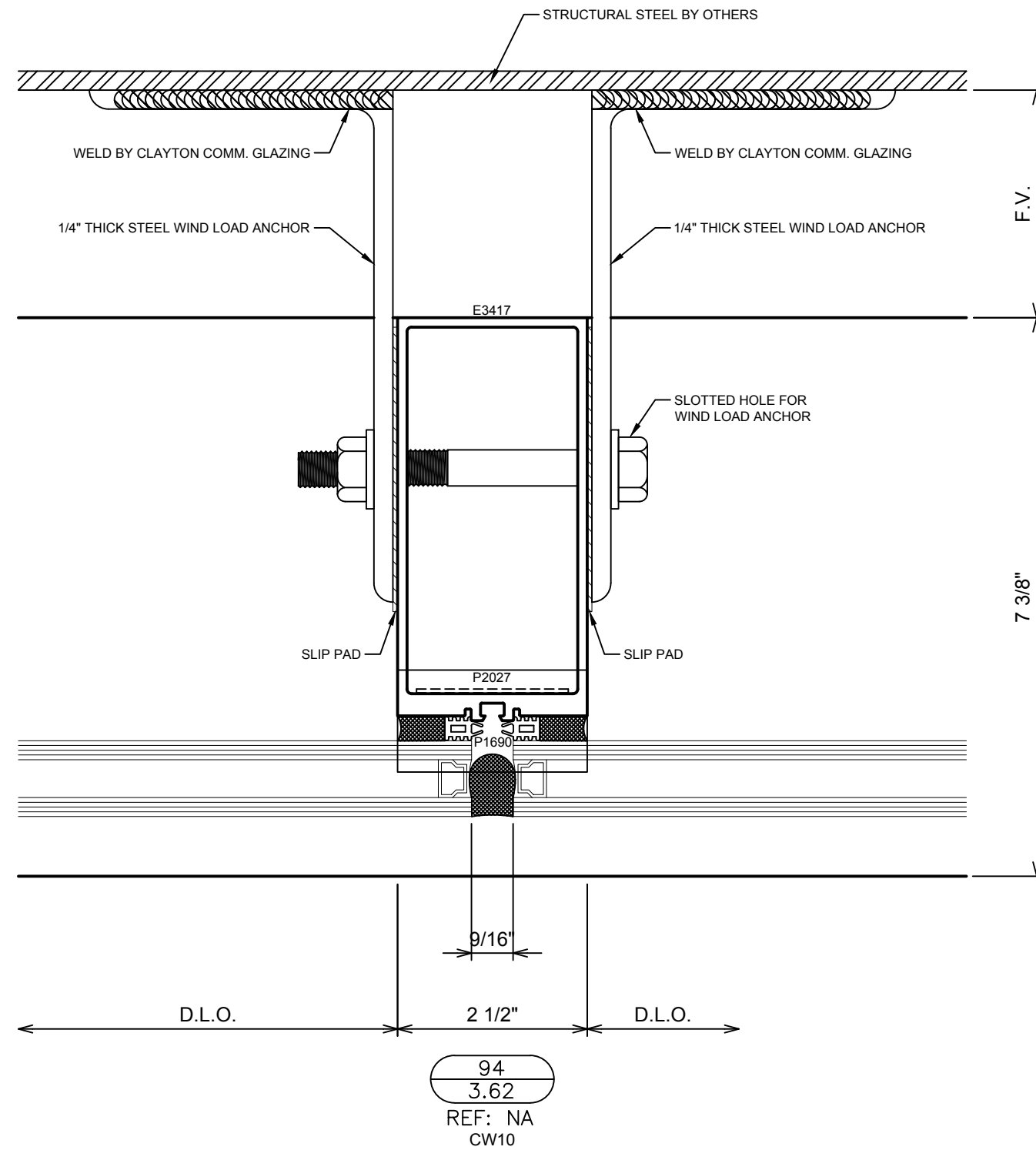
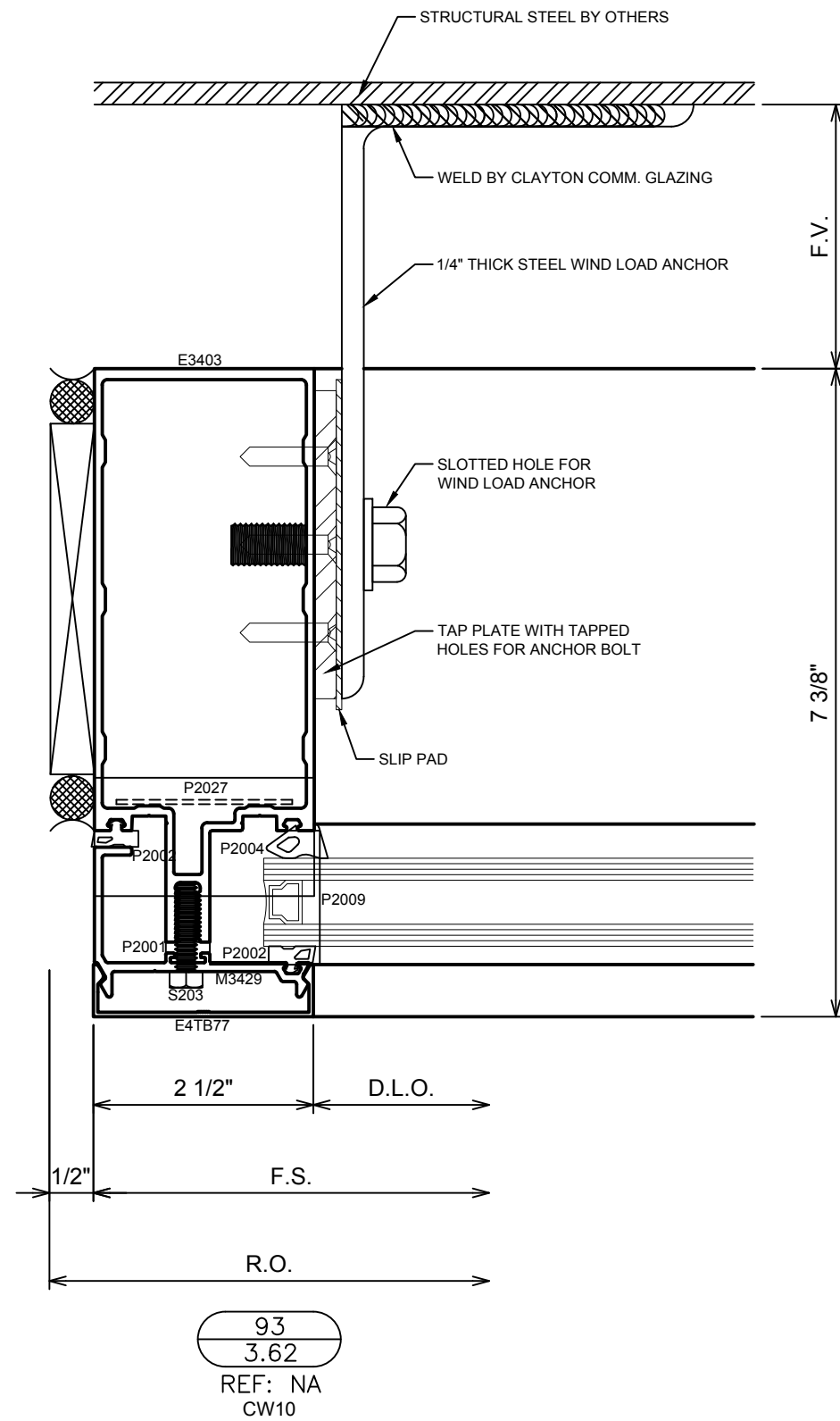
NO	DESCRIPTION	DATE
1	1ST REVISION, CW	12/23/19
2	1ST SUBMISSION, GL	11/13/19

CLAYTON COMMERCIAL GLAZING
435 E SECOND ST.
CLAYTON, NC 27520
(919)-550-0109

PROJECT:	PALISADES 3 SHELL OFFICE BUILDING
LOCATION:	3401 TRINITY ROAD
	RALEIGH, NC 27607
	(EXTERIOR CURTAINWALL SUBMITTAL)

DRAWN BY:	GL	DATE:	11/13/19
CHECKED BY:	JB	DATE:	11/13/19
JOB NO.:			

3.61



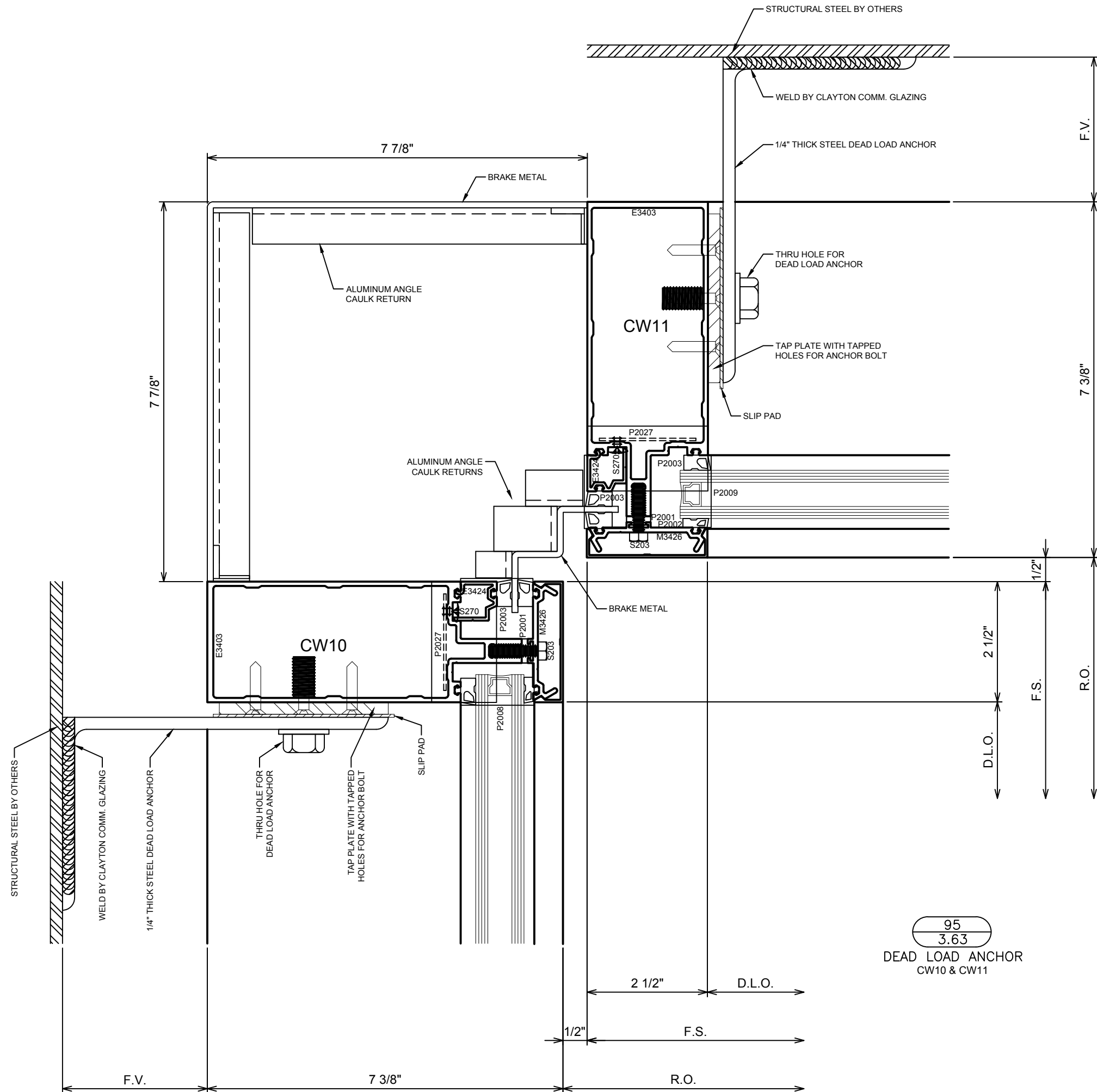
NO	DESCRIPTION	DATE
1	1ST REVISION, CW	12/23/19
2	1ST SUBMISSION, GL	11/13/19

CLAYTON COMMERCIAL GLAZING
435 E SECOND ST.
CLAYTON, NC 27520
(919)-550-0109

PROJECT: PALISADES 3 SHELL OFFICE BUILDING
LOCATION: 3401 TRINITY ROAD
RALEIGH, NC 27607
(EXTERIOR CURTAINWALL SUBMITTAL)

DRAWN BY:	GL	DATE:	11/13/19
CHECKED BY:	JB	DATE:	11/13/19

JOB NO.:
3.62



95
3.63
 DEAD LOAD ANCHOR
 CW10 & CW11

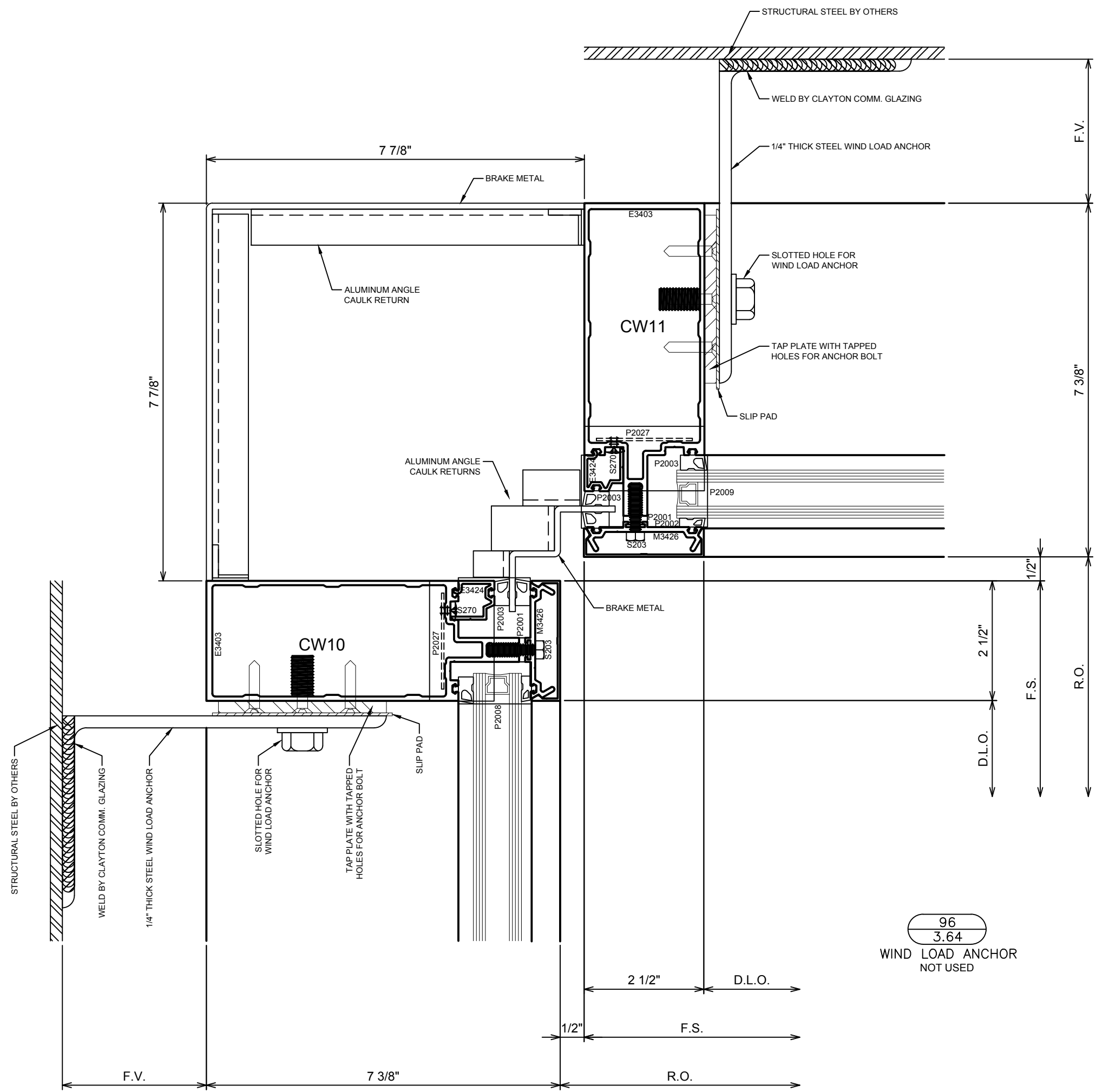
	DATE
1ST REVISION, CW	12/23/19
1ST SUBMISSION, GL	11/13/19
NO	DESCRIPTION
DRAWING SUBMISSION	

CLAYTON COMMERCIAL GLAZING
 435 E SECOND ST.
 CLAYTON, NC 27520
 (919)-550-0109

PROJECT: PALISADES 3 SHELL OFFICE BUILDING	
LOCATION: 3401 TRINITY ROAD	
RALEIGH, NC 27607	
(EXTERIOR CURTAINWALL SUBMITTAL)	

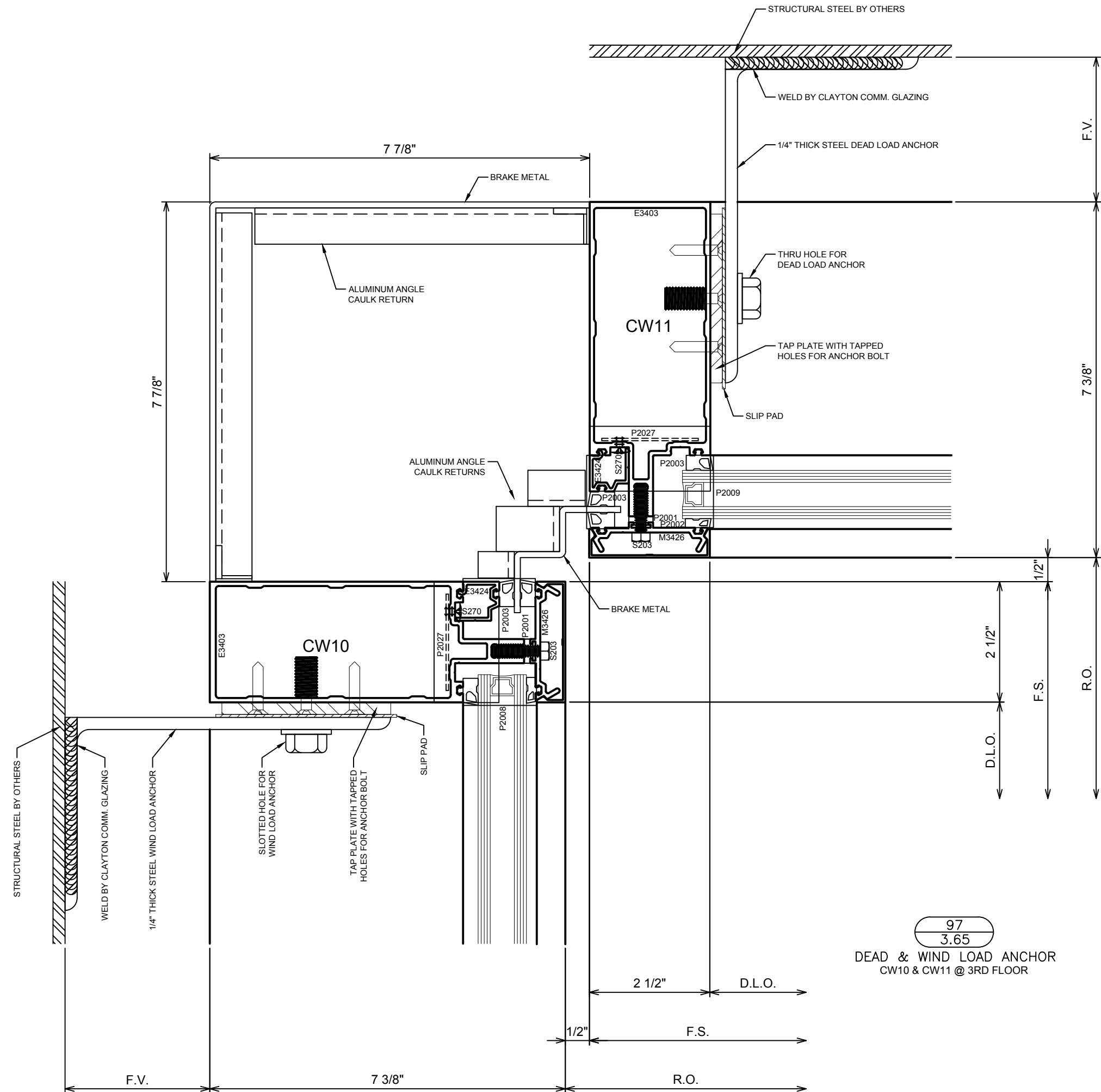
DRAWN BY: GL	DATE: 11/13/19
PREPARED BY: JB	DATE: 11/13/19
JOB NO.:	

3.63



96
3.64
 WIND LOAD ANCHOR
 NOT USED

<p>PROJECT: PALISADES 3 SHELL OFFICE BUILDING</p> <p>LOCATION: 3401 TRINITY ROAD</p> <p>RALEIGH, NC 27607</p> <p>(EXTERIOR CURTAINWALL SUBMITTAL)</p>	<p>CLAYTON COMMERCIAL GLAZING</p> <p>435 E SECOND ST.</p> <p>CLAYTON, NC 27520</p> <p>(919)-550-0109</p>
<p>NO. _____</p> <p>DESCRIPTION _____</p> <p>DATE _____</p> <p>DRAWING SUBMISSION _____</p>	<p>1ST REVISION, CW 12/23/19</p> <p>1ST SUBMISSION, GL 11/13/19</p>
<p>DRAWN BY: GL DATE: 11/13/19</p> <p>CHECKED BY: JB DATE: 11/13/19</p> <p>JOB NO.: _____</p>	<p style="font-size: 24pt; text-align: center;">3.64</p>



97
3.65

DEAD & WIND LOAD ANCHOR
CW10 & CW11 @ 3RD FLOOR

NO	DESCRIPTION	DATE
1	1ST REVISION, CW	12/23/19
2	1ST SUBMISSION, GL	11/13/19

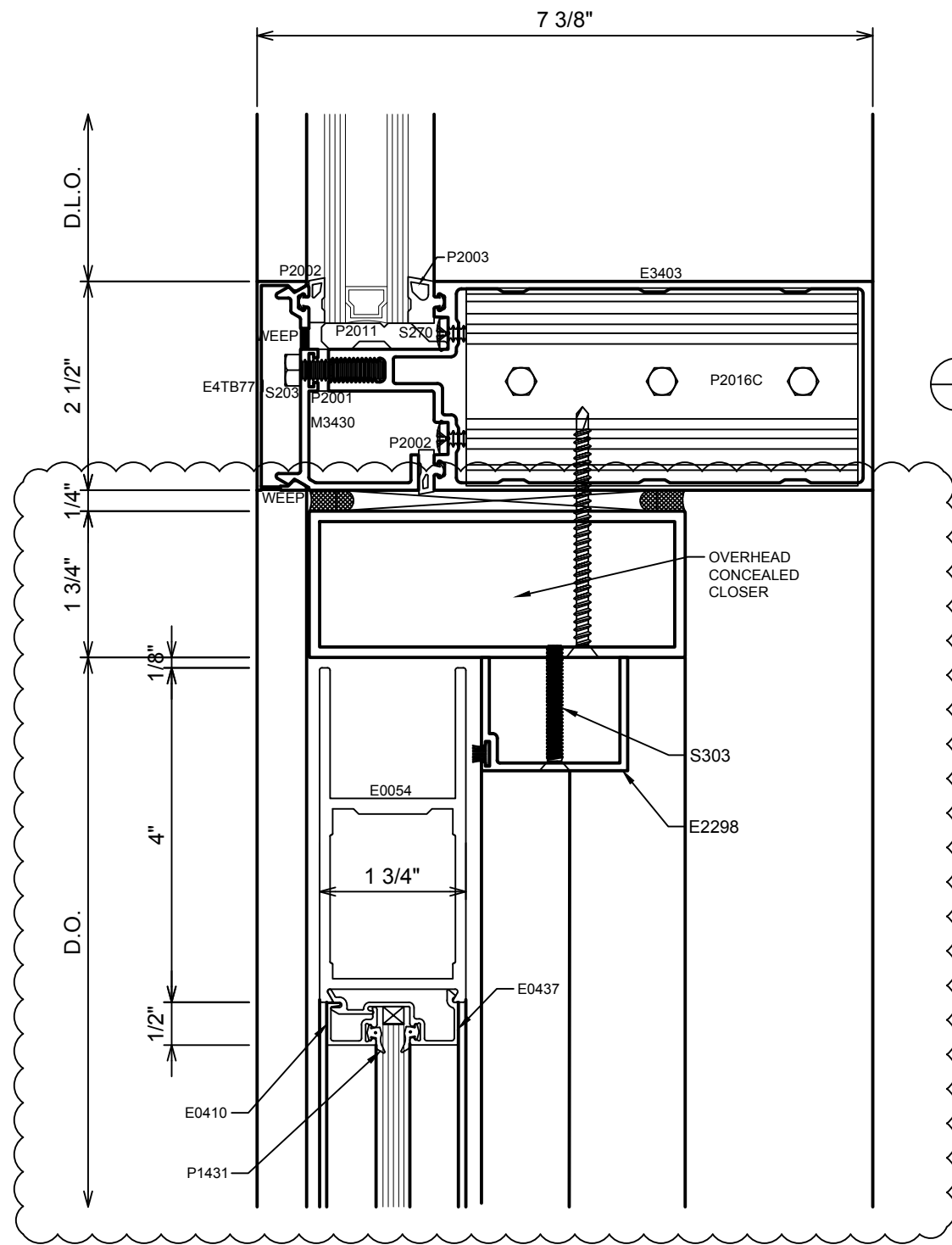
CLAYTON COMMERCIAL GLAZING
435 E SECOND ST.
CLAYTON, NC 27520
(919)-550-0109

PROJECT:	PALISADES 3 SHELL OFFICE BUILDING
LOCATION:	5401 TRINITY ROAD RALEIGH, NC 27607
(EXTERIOR CURTAINWALL SUBMITTAL)	

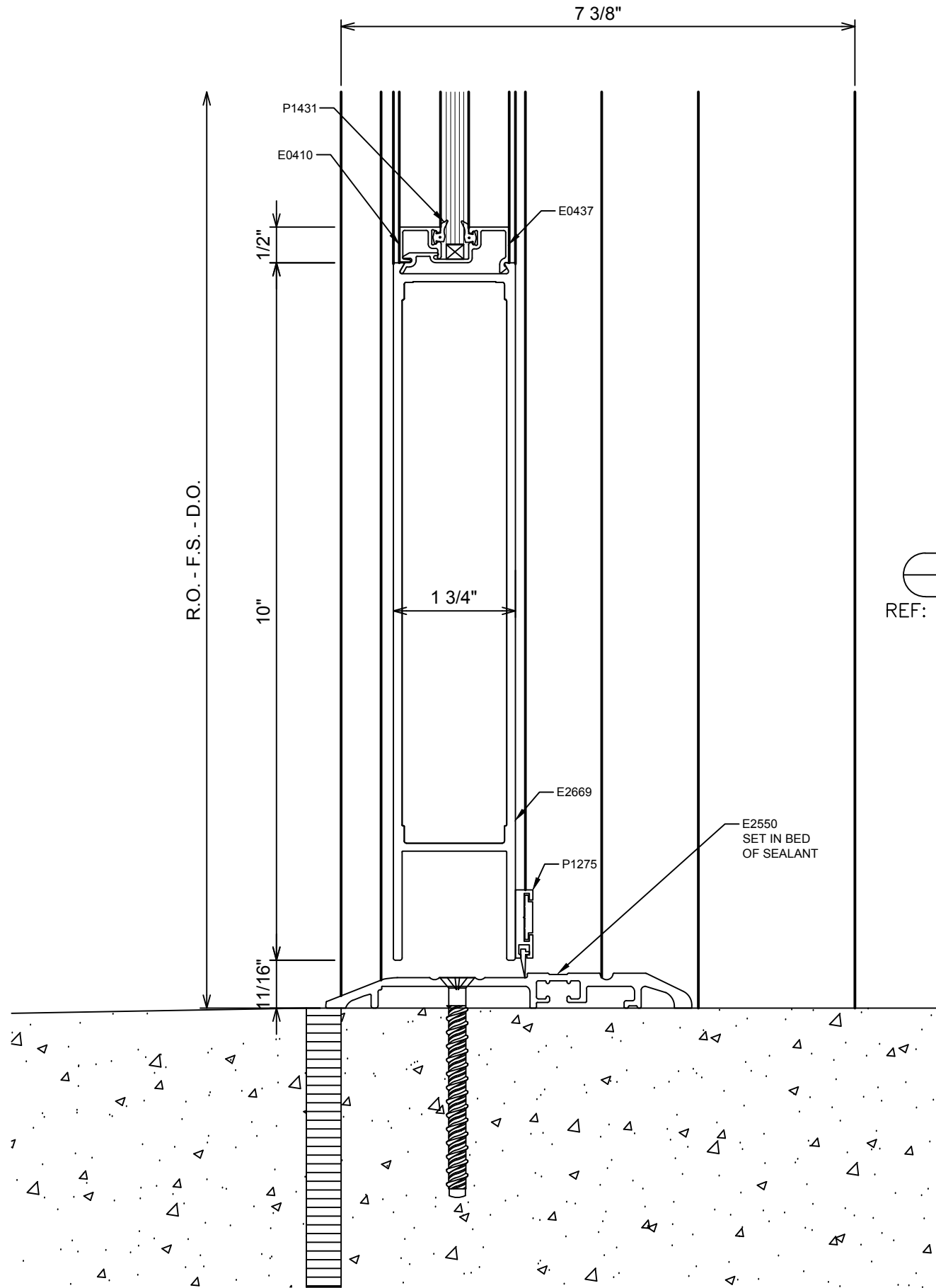
DRAWN BY:	GL	DATE:	11/13/19
CHECKED BY:	JB	DATE:	11/13/19
JOB NO.:			

3.65

DRAWING SUBMISSION



98
 3.66
 REF: NA
 CW10



99
 3.66
 REF: A1/A-301
 CW10

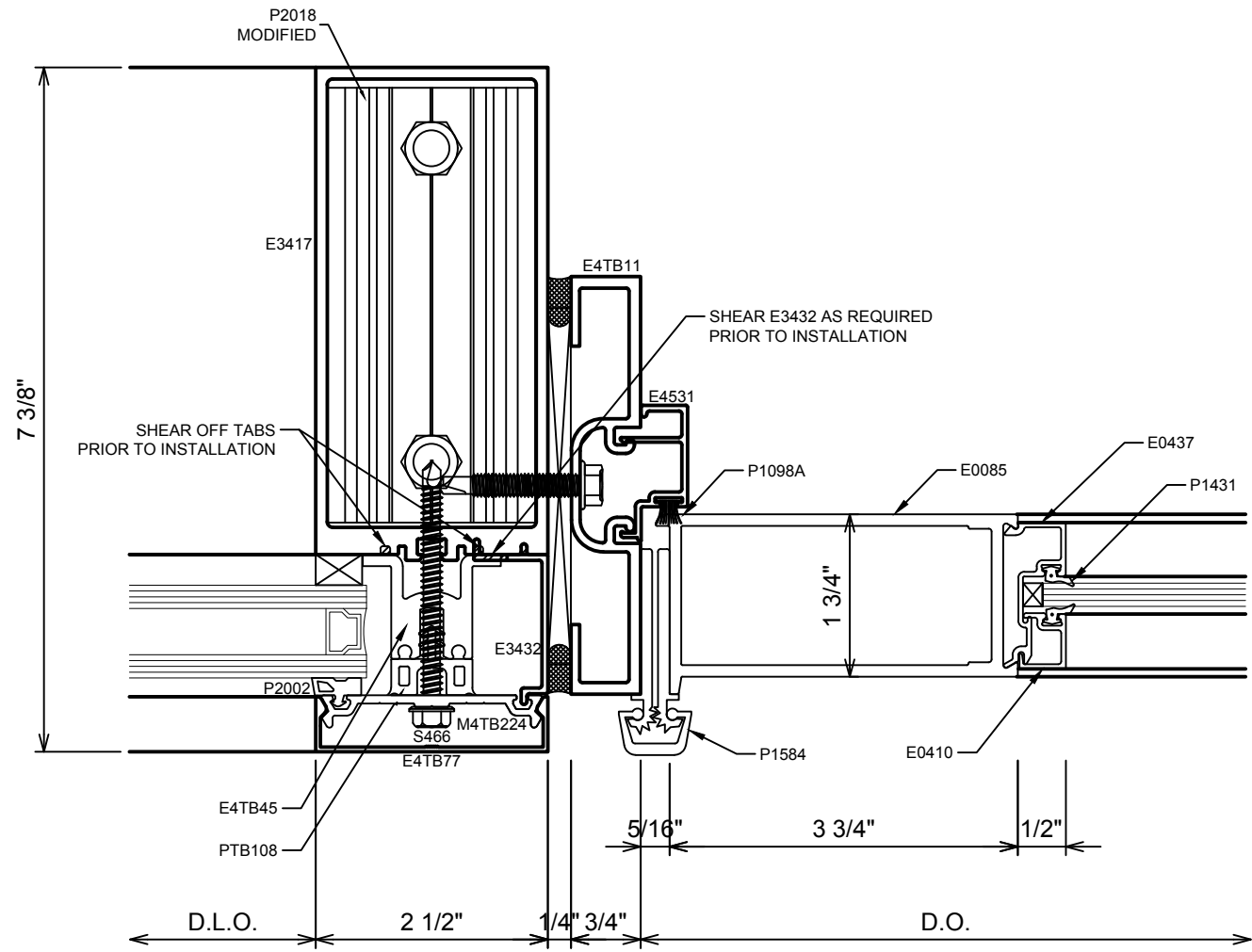
NO	DESCRIPTION	DATE
	1ST REVISION, CW	12/23/19
	1ST SUBMISSION, GL	11/13/19

CLAYTON COMMERCIAL GLAZING
 435 E SECOND ST.
 CLAYTON, NC 27520
 (919)-550-0109

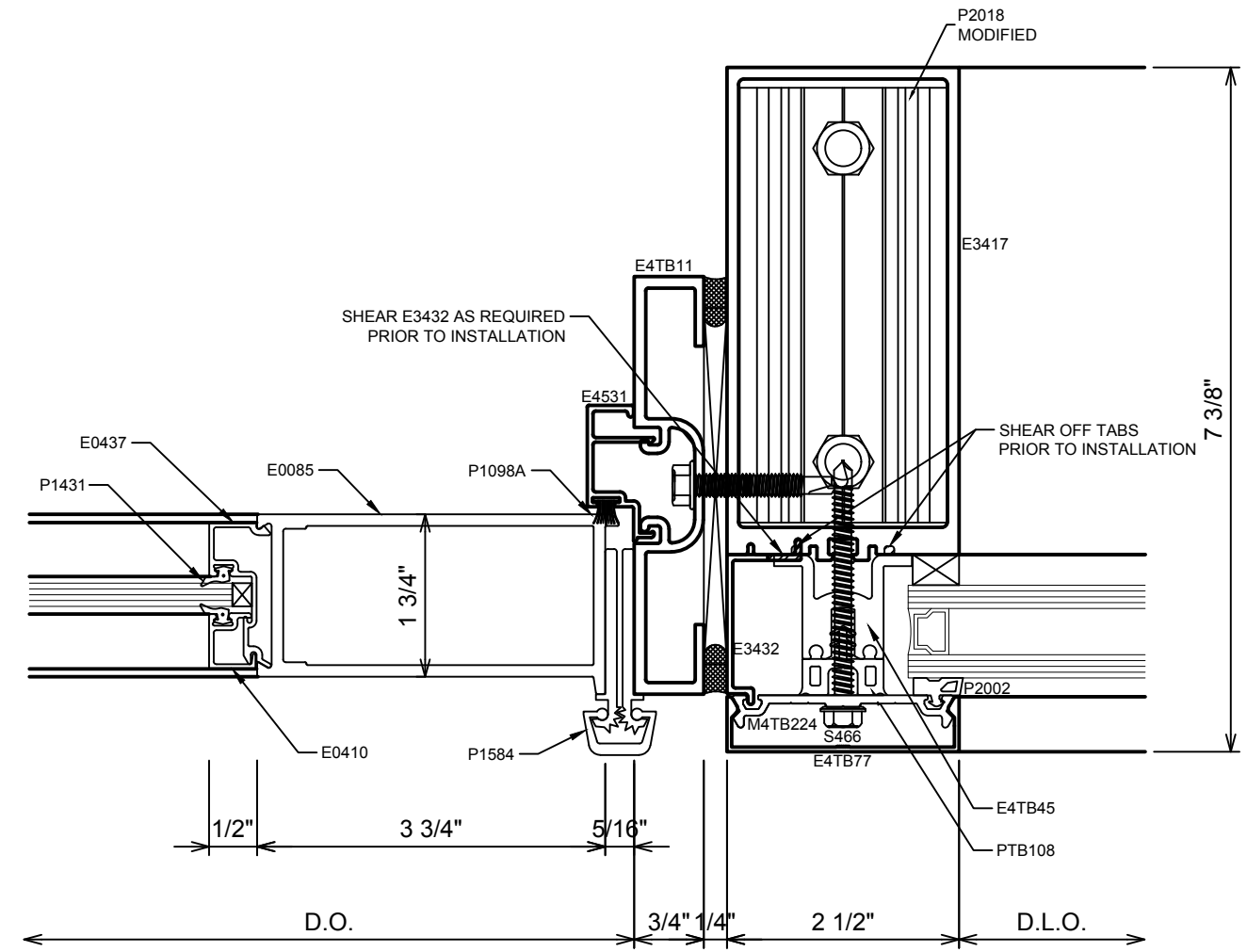
PROJECT: PALISADES 3 SHELL OFFICE BUILDING
 LOCATION: 5401 TRINITY ROAD
 RALEIGH, NC 27607
 (EXTERIOR CURTAINWALL SUBMITTAL)

GL	DATE: 11/13/19
JB	DATE: 11/13/19

JOB NO.: 3.66



100
3.67
REF: NA
CW10



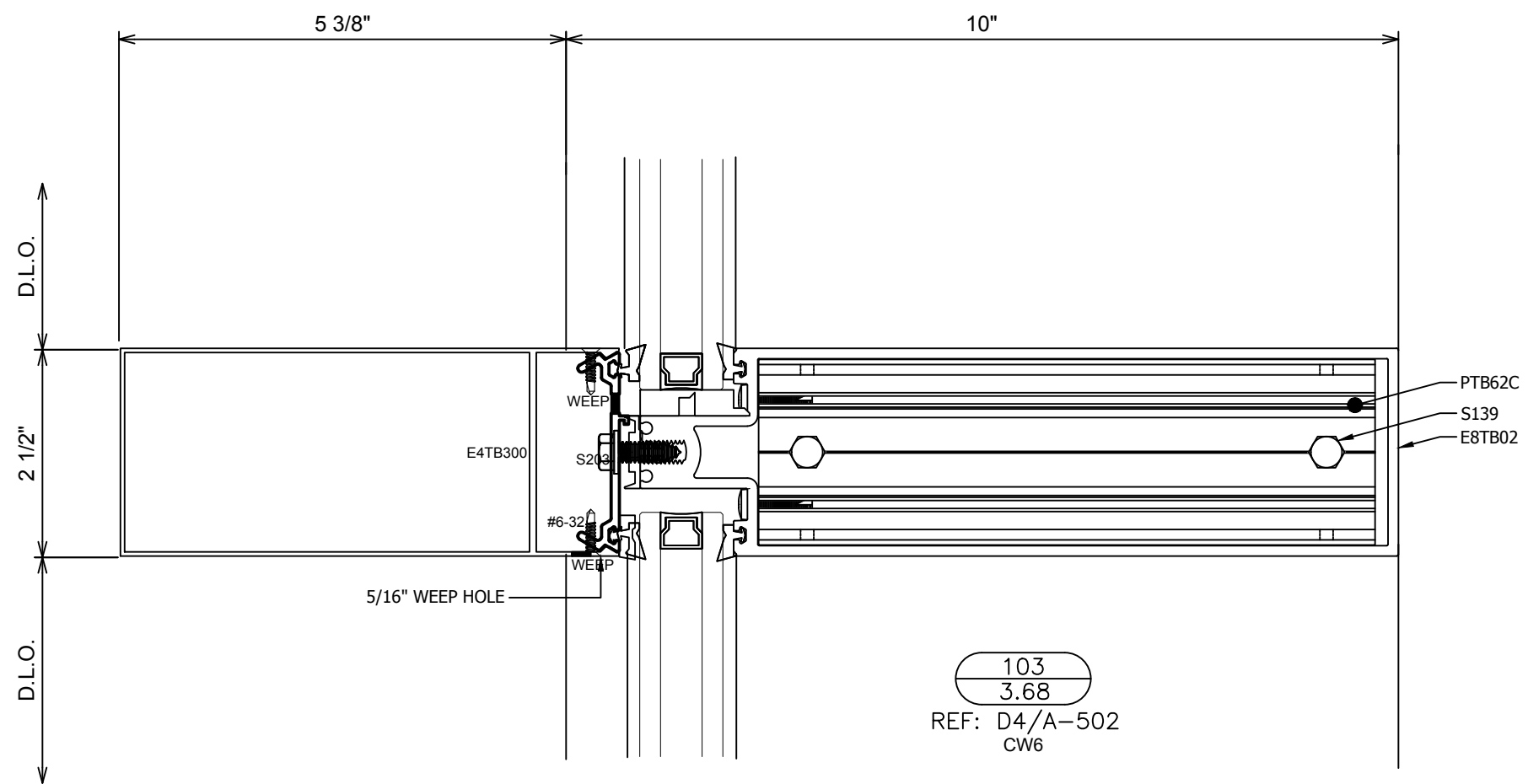
101
3.67
REF: NA
CW10

NO	DESCRIPTION	DATE

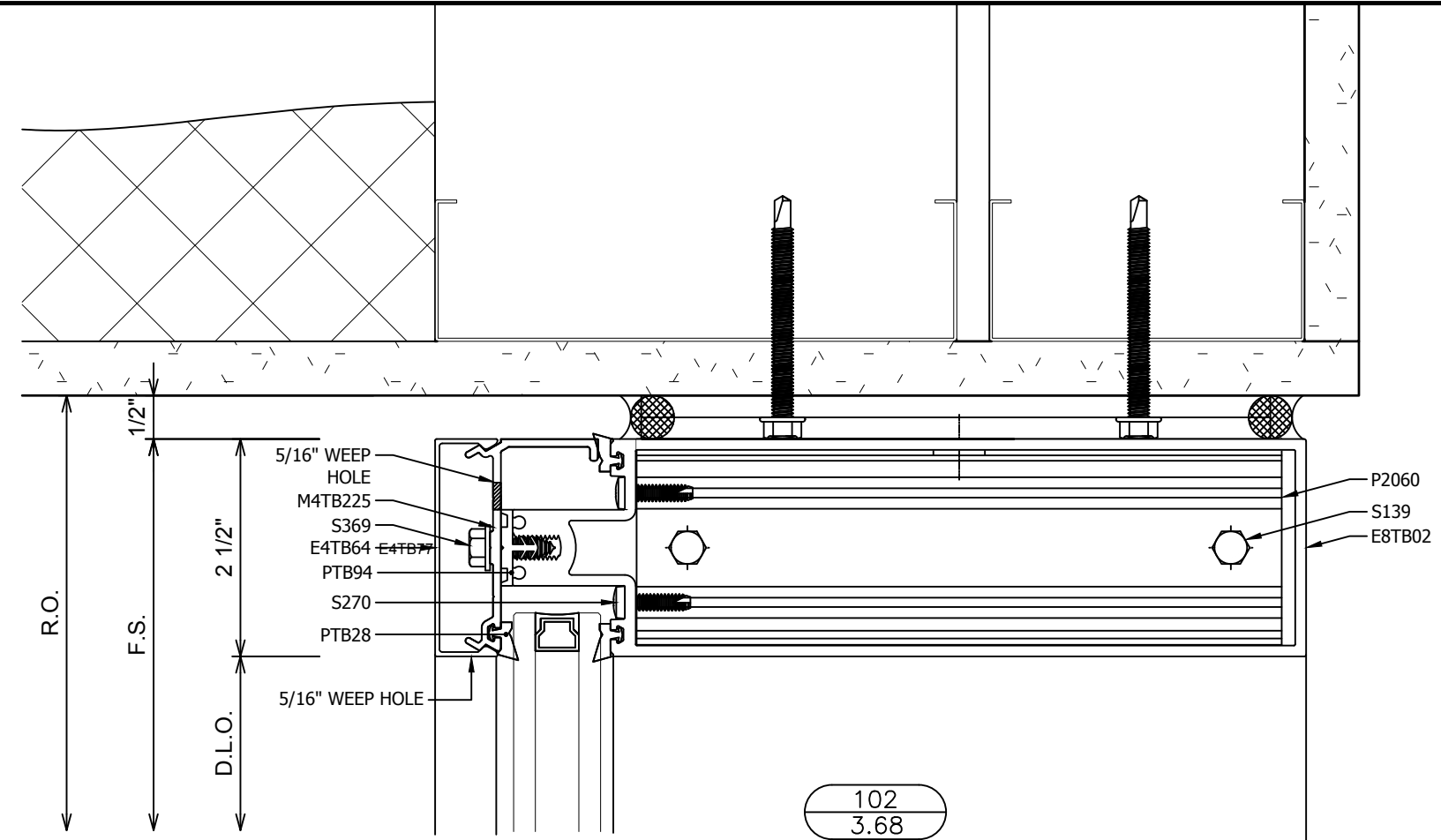
CLAYTON COMMERCIAL GLAZING
435 E SECOND ST.
CLAYTON, NC 27520
(919)-550-0109

PROJECT: PALISADES 3 SHELL OFFICE BUILDING
LOCATION: 5401 TRINITY ROAD
RALEIGH, NC 27607
(EXTERIOR CURTAINWALL SUBMITTAL)

DRAWN BY:	GL	DATE:	11/13/19
CHECKED BY:	JB	DATE:	11/13/19
JOB NO.:			



103
3.68
REF: D4/A-502
CW6



102
3.68
REF: D4/A-502
CW6

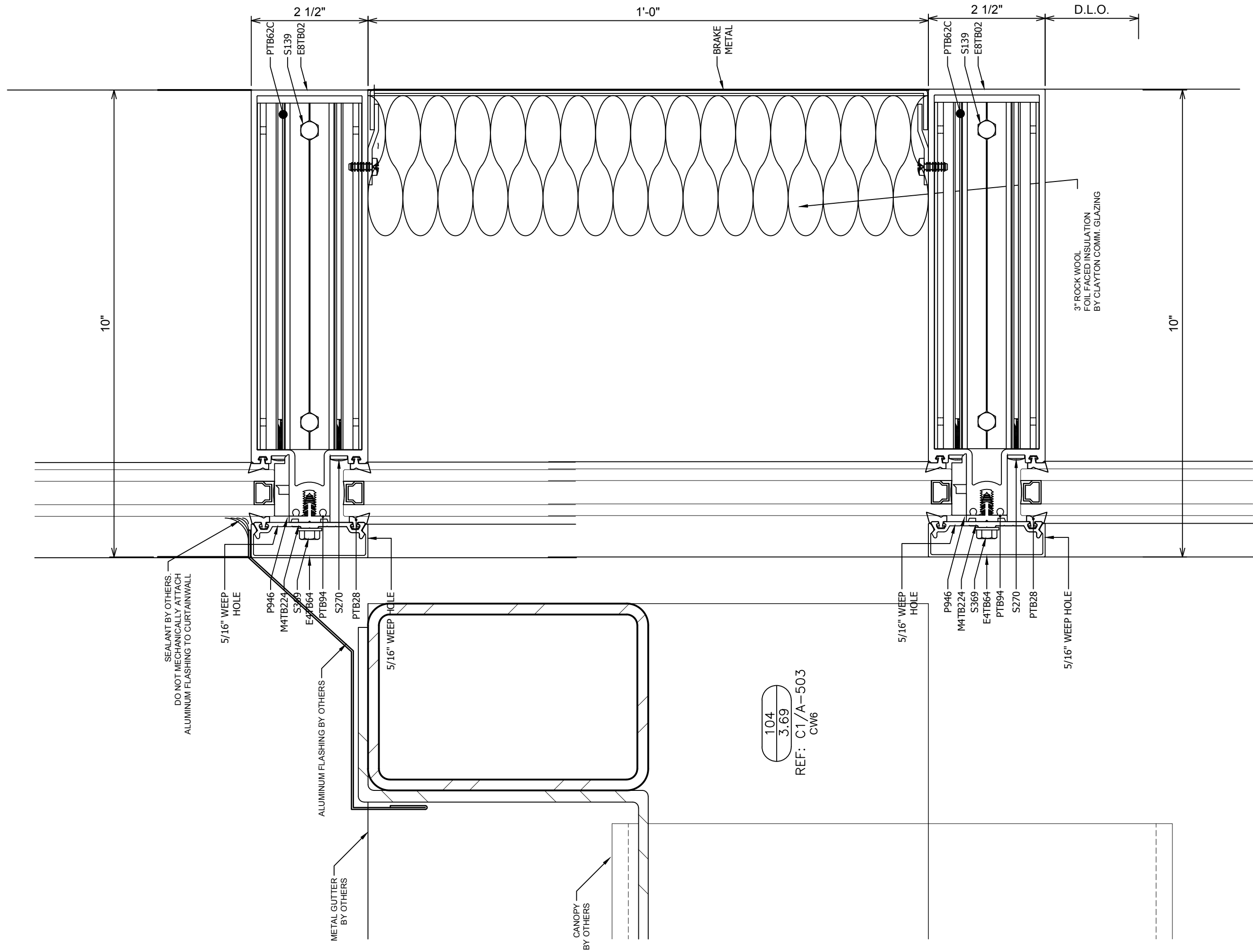
NO	DESCRIPTION	DATE
1	1ST REVISION, CW	12/23/19
2	1ST SUBMISSION, GL	11/13/19

CLAYTON COMMERCIAL GLAZING
435 E SECOND ST.
CLAYTON, NC 27520
(919)-550-0109

PROJECT: PALISADES 3 SHELL OFFICE BUILDING
LOCATION: 3401 TRINITY ROAD
RALEIGH, NC 27607
(EXTERIOR CURTAINWALL SUBMITTAL)

GL	11/13/19
JB	11/13/19

JOB NO.:
3.68



PROJECT: PALISADES 3 SHELL OFFICE BUILDING
 LOCATION: 5401 TRINITY ROAD
 RALEIGH, NC 27607
 (EXTERIOR CURTAINWALL SUBMITTAL)

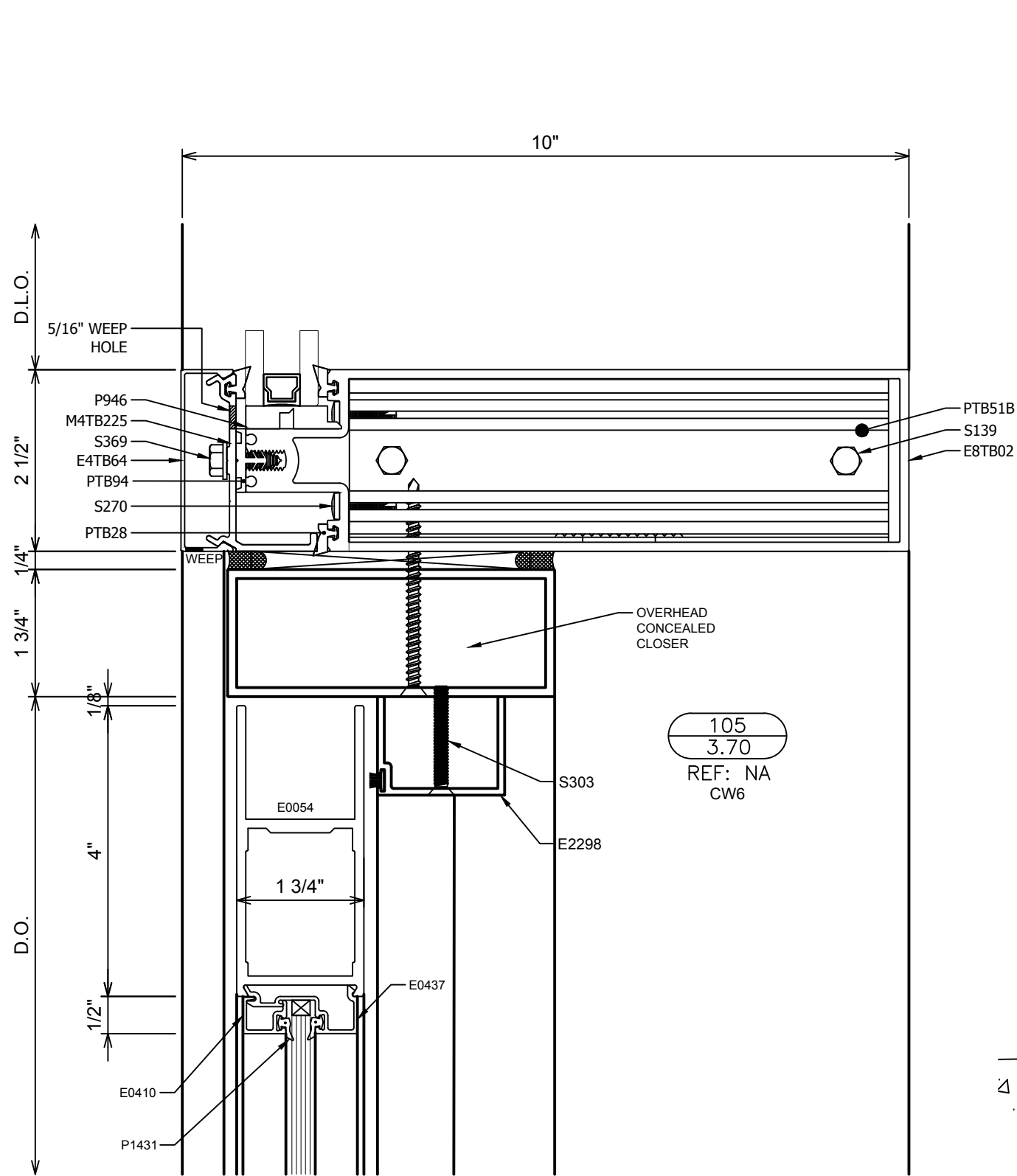
DRAWN BY: GL DATE: 11/13/19
 CHECKED BY: JB DATE: 11/13/19
 JOB NO.:

3.69

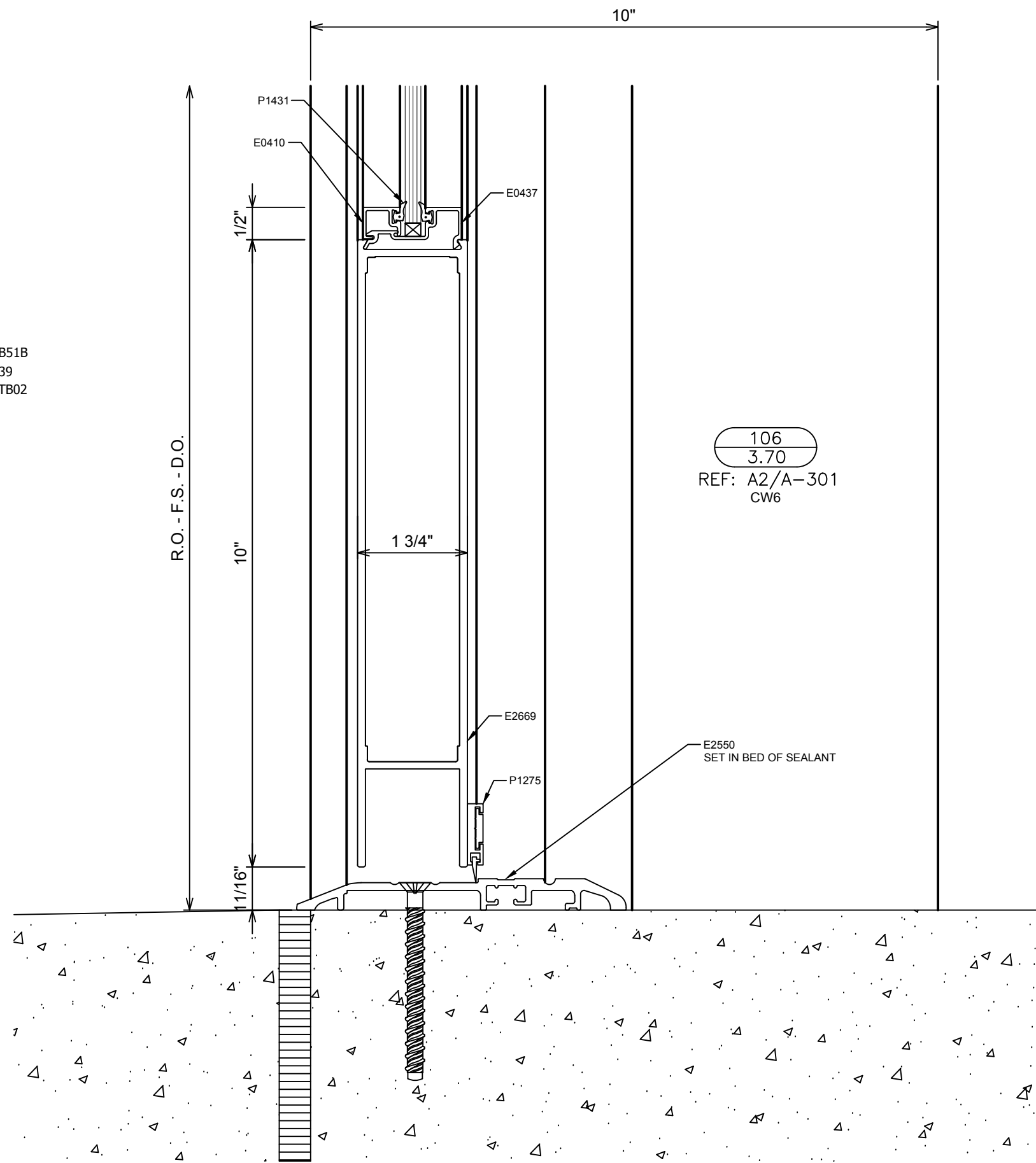
CLAYTON COMMERCIAL GLAZING
 435 E SECOND ST.
 CLAYTON, NC 27520
 (919)-550-0109

NO	DESCRIPTION	DATE
1	1ST REVISION, CW	12/23/19
2	1ST SUBMISSION, GL	11/13/19

DRAWING SUBMISSION



105
 3.70
 REF: NA
 CW6



106
 3.70
 REF: A2/A-301
 CW6

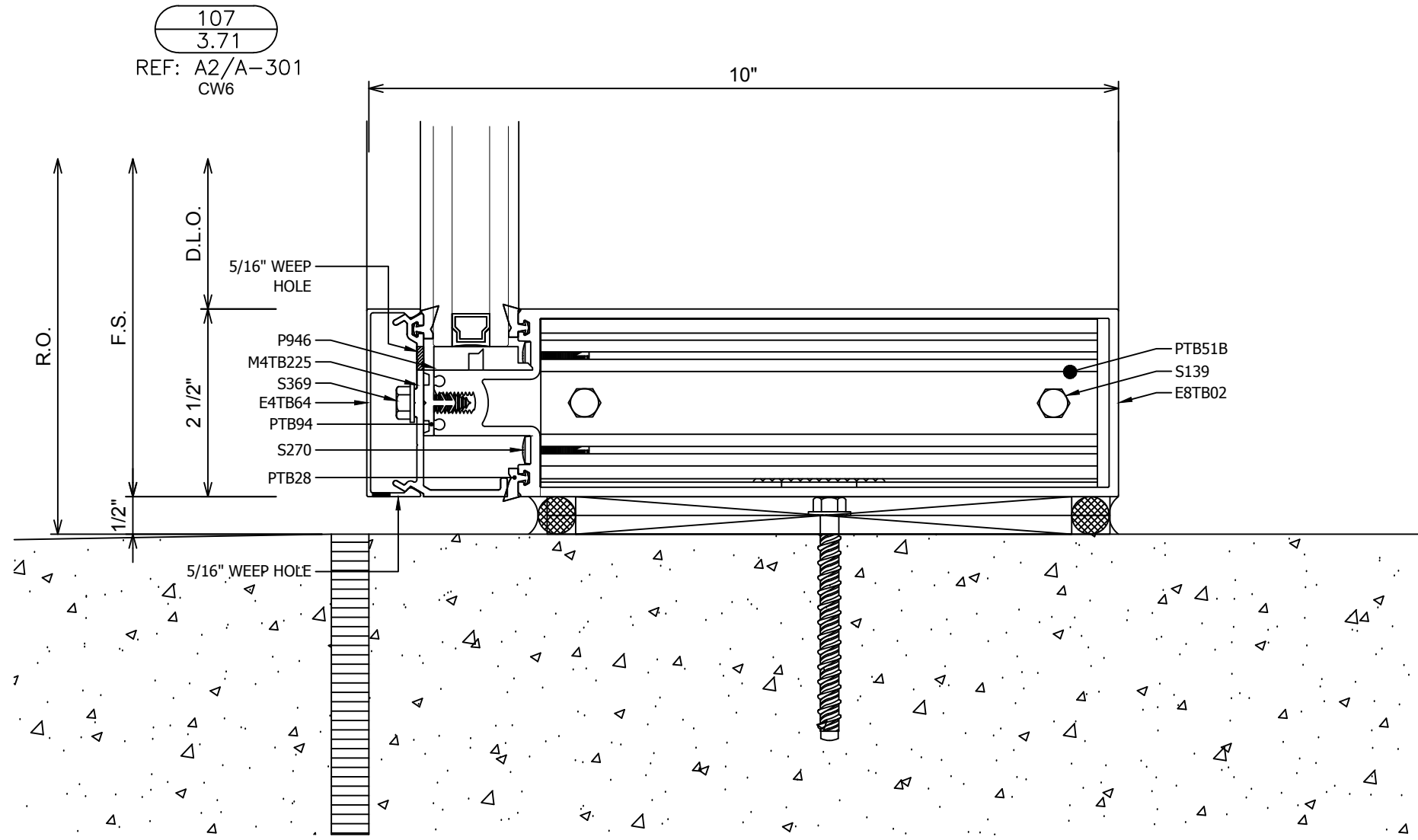
NO	DESCRIPTION	DATE
1	1ST REVISION, CW	12/23/19
2	1ST SUBMISSION, GL	11/13/19

CLAYTON COMMERCIAL GLAZING
 435 E SECOND ST.
 CLAYTON, NC 27520
 (919)-550-0109

PROJECT: PALISADES 3 SHELL OFFICE BUILDING
 LOCATION: 5401 TRINITY ROAD
 RALEIGH, NC 27607
 (EXTERIOR CURTAINWALL SUBMITTAL)

GL	11/13/19
JB	11/13/19
JOB NO.:	

3.70



NO	DESCRIPTION	DATE

CLAYTON COMMERCIAL GLAZING
435 E SECOND ST.
CLAYTON, NC 27520
(919)-550-0109

PROJECT: PALISADES 3 SHELL OFFICE BUILDING
LOCATION: 3401 TRINITY ROAD
RALEIGH, NC 27607
(EXTERIOR CURTAINWALL SUBMITTAL)

DRAWN BY:	GL	DATE:	11/13/19
CHECKED BY:	JB	DATE:	11/13/19
JOB NO.:			

3.71

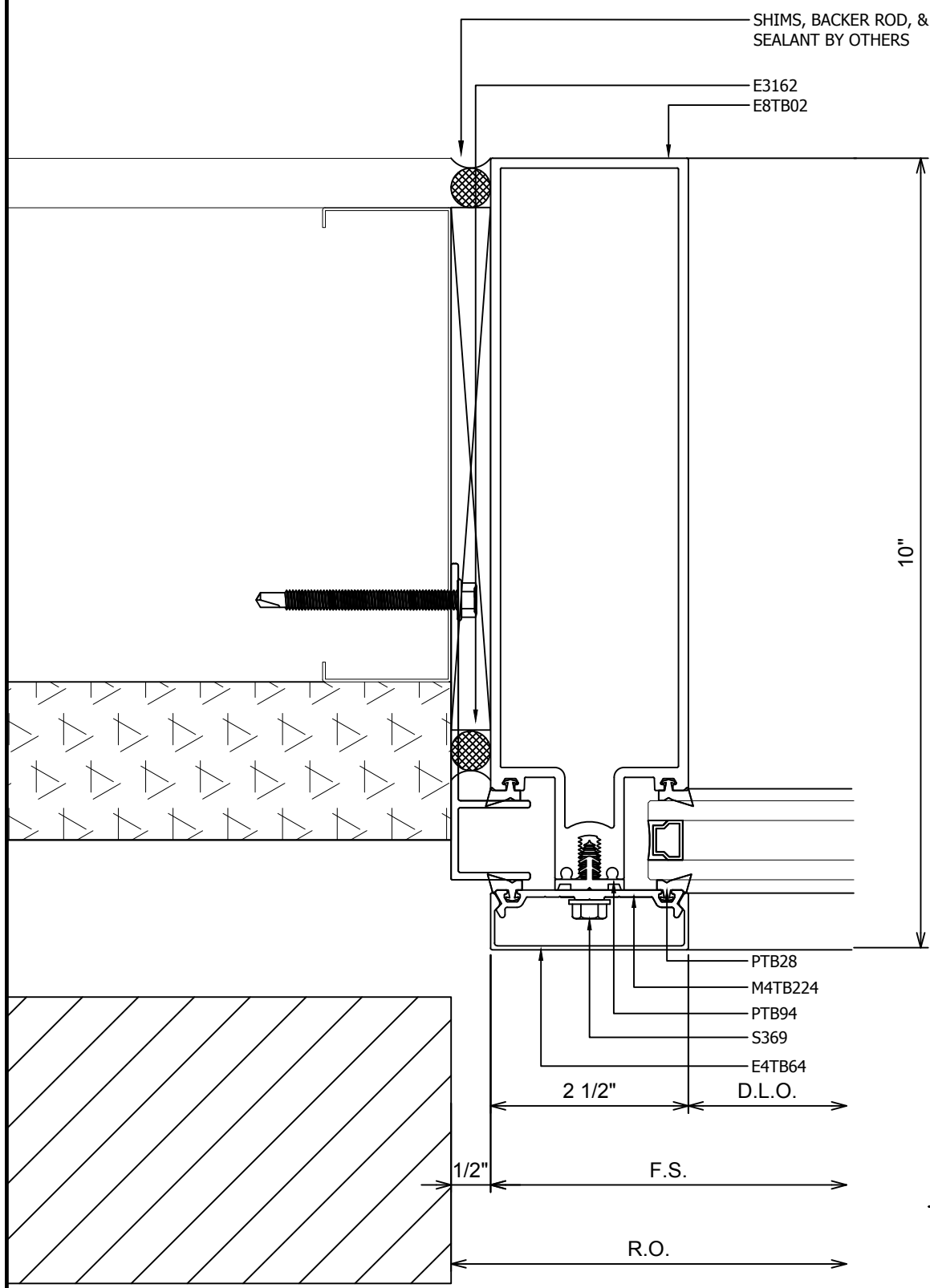
NO	DESCRIPTION	DATE
1	1ST REVISION, CW	12/23/19
2	1ST SUBMISSION, GL	11/13/19

CLAYTON COMMERCIAL GLAZING
 435 E SECOND ST.
 CLAYTON, NC 27520
 (919)-550-0109

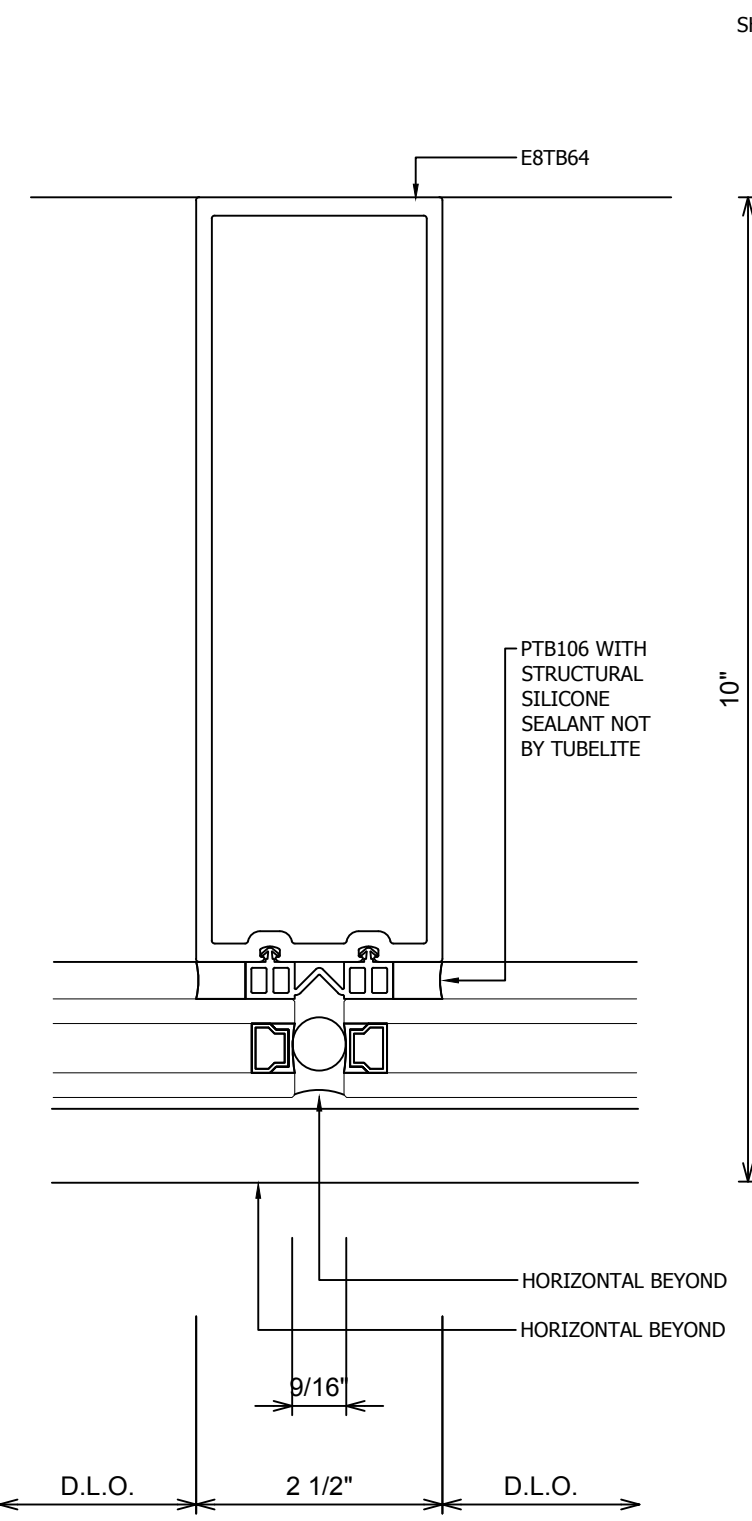
PROJECT: PALISADES 3 SHELL OFFICE BUILDING
 LOCATION: 5401 TRINITY ROAD
 RALEIGH, NC 27607
 (EXTERIOR CURTAINWALL SUBMITTAL)

DRAWN BY:	DATE:
GL	11/13/19
JB	11/13/19
JOB NO.:	

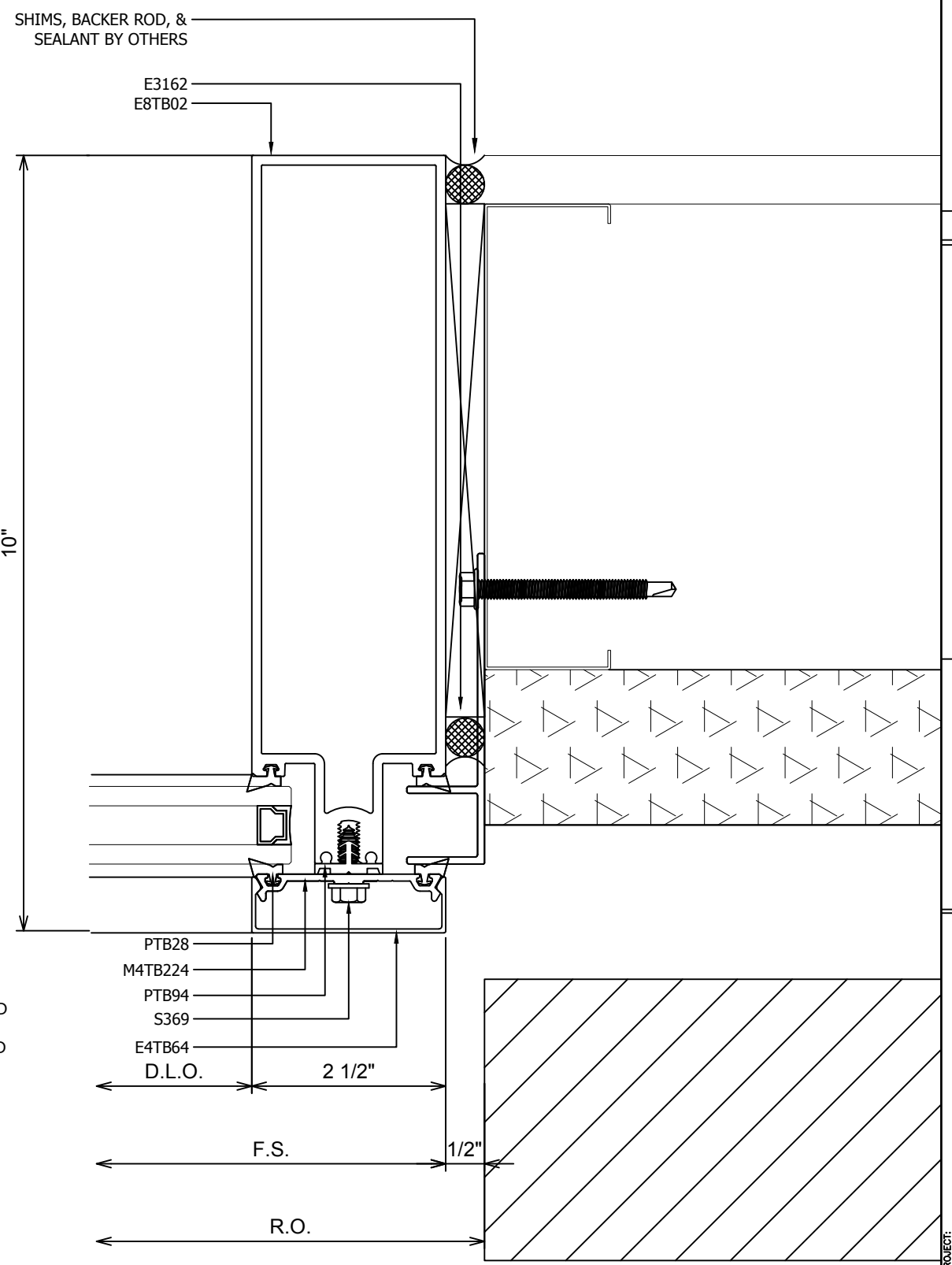
3.72



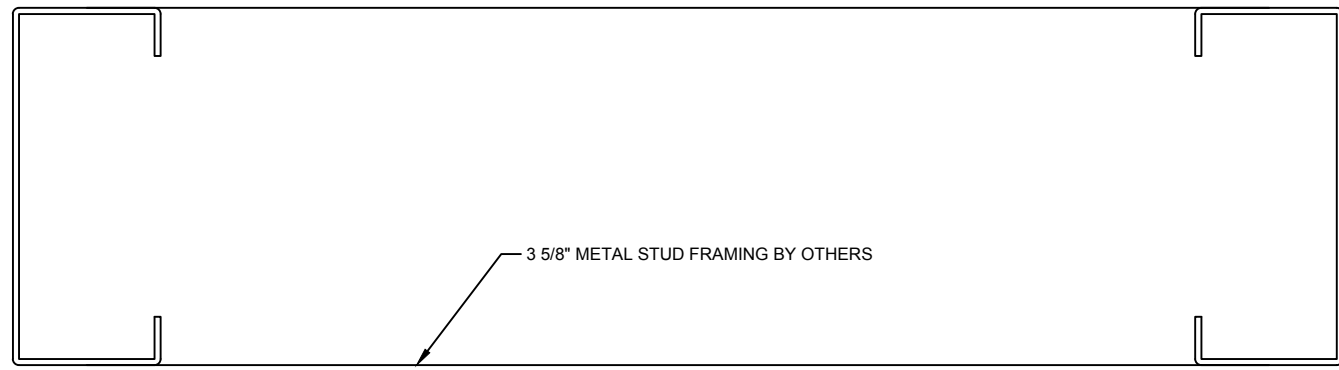
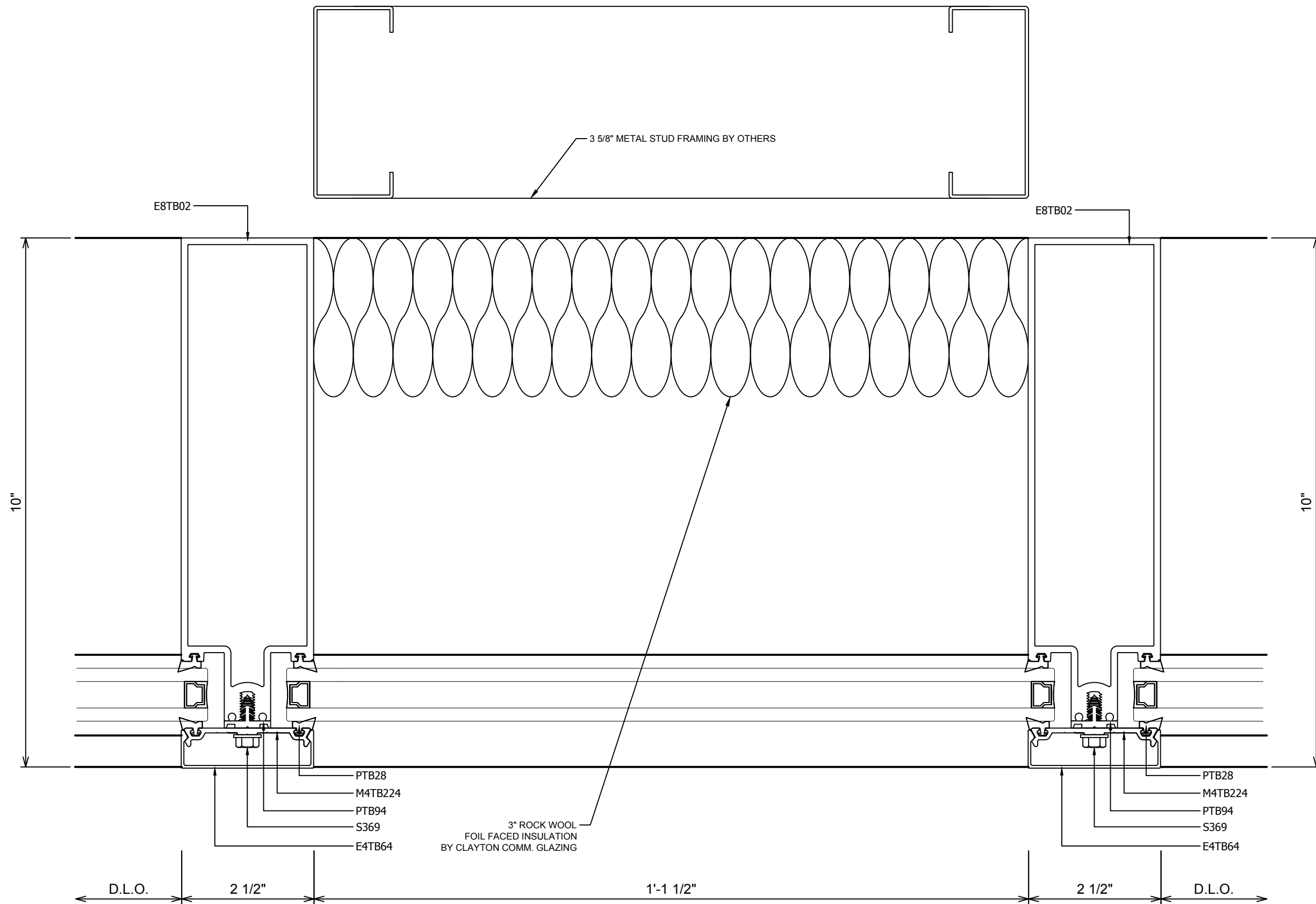
108
3.72
REF: D1/A-502
CW6



109
3.72
REF: NA
CW6



110
3.72
REF: D1/A-502
CW6



111
3.73
 REF: A3/A-502
 CW6

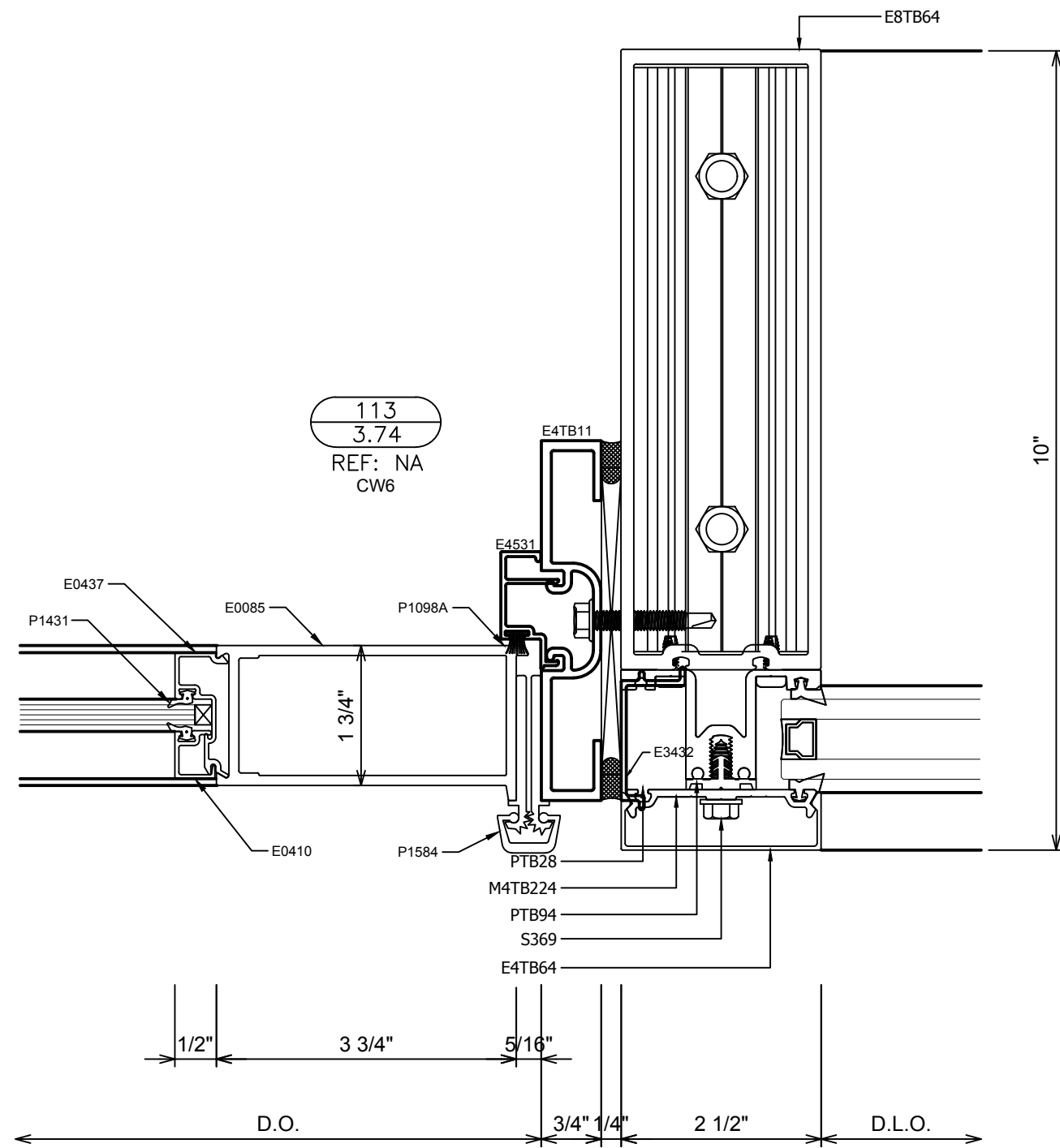
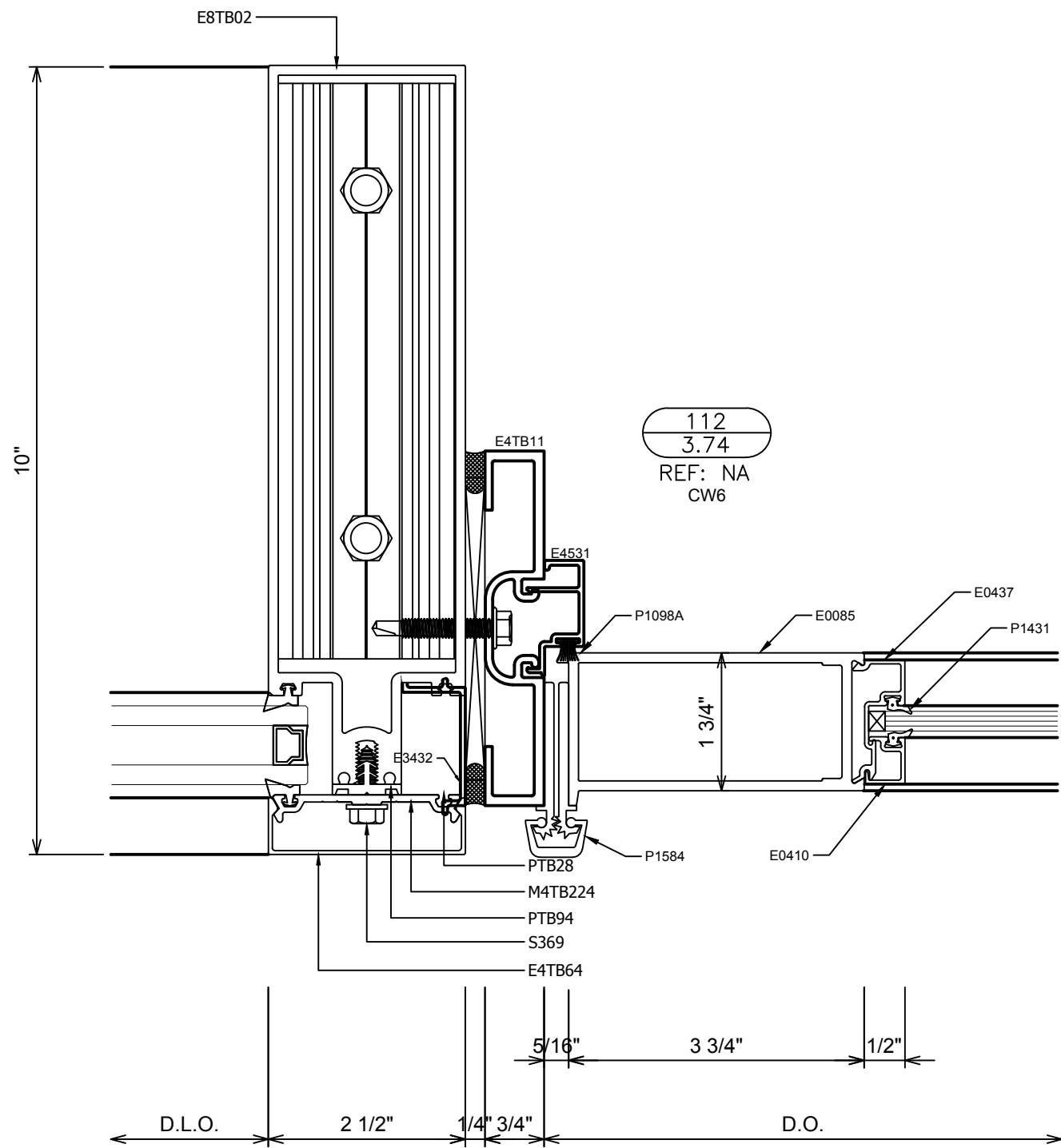
NO	DESCRIPTION	DATE
	1ST REVISION, CW	12/23/19
	1ST SUBMISSION, GL	11/13/19

CLAYTON COMMERCIAL GLAZING
 435 E SECOND ST.
 CLAYTON, NC 27520
 (919)-550-0109

PROJECT: PALISADES 3 SHELL OFFICE BUILDING
 LOCATION: 5401 TRINITY ROAD
 RALEIGH, NC 27607
 (EXTERIOR CURTAINWALL SUBMITTAL)

DRAWN BY:	GL	DATE:	11/13/19
CHECKED BY:	JB	DATE:	11/13/19
JOB NO.:			

3.73



NO	DESCRIPTION	DATE
1	1ST REVISION, CW	12/23/19
2	1ST SUBMISSION, GL	11/13/19

CLAYTON COMMERCIAL GLAZING
435 E SECOND ST.
CLAYTON, NC 27520
(919)-550-0109

PROJECT: PALISADES 3 SHELL OFFICE BUILDING
LOCATION: 3401 TRINITY ROAD
RALEIGH, NC 27607
(EXTERIOR CURTAINWALL SUBMITTAL)

GL	11/13/19
JB	11/13/19

JOB NO.:
3.74