



Sustainable Coils LLC

Replacement Coil Solutions!

Product Catalog

Revision Date: 03/10/2021

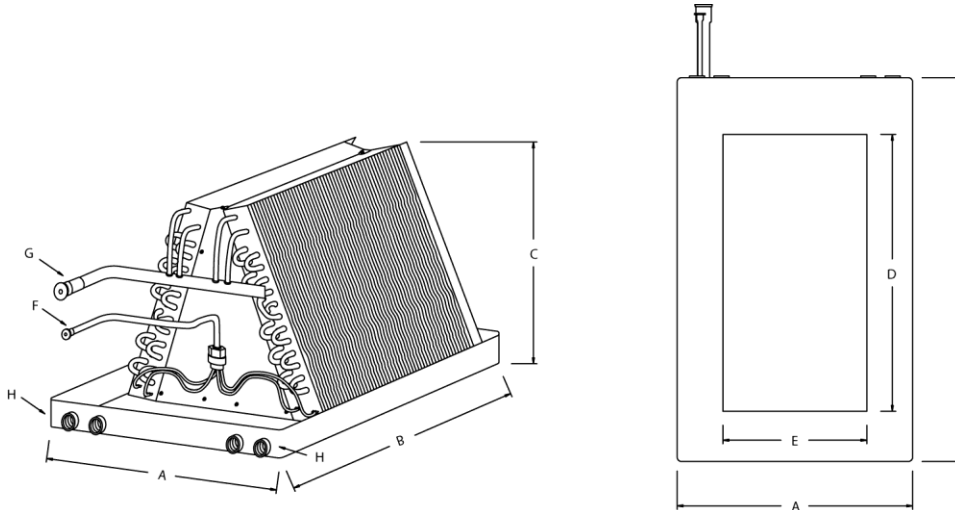
Page 1:	Index
Page 2:	Uncased stock replacement coils
Page 3:	Cased stock replacement coils
Page 4:	Mobile Home replacement coils
Page 5:	Horizontal slab replacement coils
Page 6:	RCTWE replacement coils introduction
Page 7:	RCTWE replacement coils line art
Pages 8-11:	Trane/American Standard RCTWE cross reference
Page 12:	Carrier/ICP F-series replacement coils introduction
Page 13:	Carrier/ICP F-series replacement coils line art
Pages 14-19:	Carrier/Bryant/Payne F-series cross reference
Pages 20-23:	ICP F-series cross reference
Pages 24:	EPA-EXA ICP replacement coils introduction
Page 25:	EPA-EXA ICP replacement coils line art
Page 26:	EPA-EXA ICP replacement coils cross reference
Page 27-28:	Wall Mount Air Handler replacement coils
Page 29:	Nordyne replacement coils line art
Pages 30-31:	Nordyne replacement coils cross reference
Page 32:	Expansion valve and piston utilization charts
Page 33:	Internal Refrigerant Volume “IRV” formula

Sustainable Coils LLC

Replacement Coil Solutions!

STOCK REPLACEMENT A-COIL

Revision Date: 03/10/2021



COIL MODEL	COIL WEIGHT	A	B	C	D	E	F	G	H
1024A13	18	13	19 1/2	10 1/2	15 1/2	5 1/2	3/8	3/4	3/4
1024A16	20	16	19 1/2	10 1/2	15 1/2	8 1/2	3/8	3/4	3/4
1036A13	23	13	19 1/2	14 1/2	15 1/2	5 1/2	3/8	3/4	3/4
1036A16	26	16	19 1/2	14 1/2	15 1/2	8 1/2	3/8	3/4	3/4
1036A20	28	20	19 1/2	14 1/2	15 1/2	12 1/2	3/8	3/4	3/4
1048A16	30	16	19 1/2	18 1/2	15 1/2	8 1/2	3/8	7/8	3/4
1048A20	32	20	19 1/2	18 1/2	15 1/2	12 1/2	3/8	7/8	3/4
1048A23	34	23	19 1/2	18 1/2	15 1/2	15 1/2	3/8	7/8	3/4
1060A20	38	20	19 1/2	22 1/2	15 1/2	12 1/2	3/8	7/8	3/4
1060A23	40	23	19 1/2	22 1/2	15 1/2	15 1/2	3/8	7/8	3/4

Low profile 3 row replacement coils

UNIGUARD® by Virtus Precision Tube, 3/8" O.D. CU-422 copper alloy tubing

2,490 PSI burst pressure minimum

Aluminum end plates to protect against rust corrosion

Aluminum fins spaced at 14 FPI for proper air flow in replacement applications

Plastic drain pans in popular widths; nylon resin is UL 94, 5VFR rated and U.V. safe

Piston metered for R-410A application, additional R-22 piston available upon request

R-22 and R-410A expansion valve kits (loose or installed) available upon request

Pre-swaged refrigerant connections, shipped with dry nitrogen holding charge

Internal Refrigerant Volumes: 1024A=91.84, 1036A=128.57, 1048A=165.30, 1060A=202.04

Five year replacement warranty

Visit our website www.SustainableCoils.com for further information regarding our complete product line.

Telephone: (903) 881-6006

Fax: (903) 881-6008

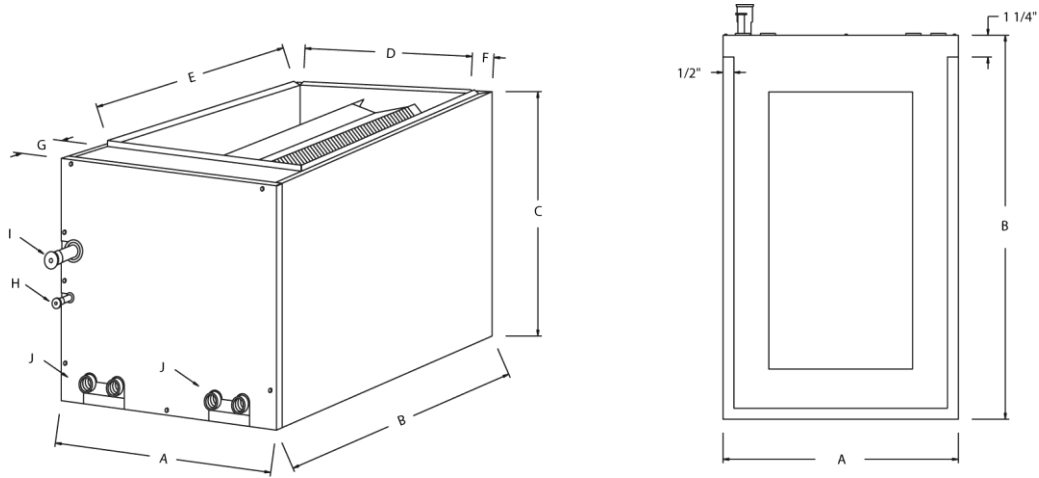
email: sales@SustainableCoils.com

Sustainable Coils LLC

Replacement Coil Solutions!

STOCK REPLACEMENT A-COILS CASED

Revision Date: 03/10/2021



COIL MODEL	COIL WEIGHT	A	B	C	D	E	F	G	H	I	J
1024A13-C	32	14 1/2	21 1/4	14	12 3/4	18 3/4	7/8	1 5/8	3/8	3/4	3/4
1024A16-C	34	17 1/2	21 1/4	14	15 3/4	18 3/4	7/8	1 5/8	3/8	3/4	3/4
1036A13-C	39	14 1/2	21 1/4	16	12 3/4	18 3/4	7/8	1 5/8	3/8	3/4	3/4
1036A16-C	42	17 1/2	21 1/4	16	15 3/4	18 3/4	7/8	1 5/8	3/8	3/4	3/4
1036A20-C	50	21	21 1/4	18	19 1/4	18 3/4	7/8	1 5/8	3/8	3/4	3/4
1048A16-C	50	17 1/2	21 1/4	20	15 3/4	18 3/4	7/8	1 5/8	3/8	7/8	3/4
1048A20-C	54	21	21 1/4	20	19 1/4	18 3/4	7/8	1 5/8	3/8	7/8	3/4
1048A23-C	57	24 1/2	21 1/4	20	22 3/4	18 3/4	7/8	1 5/8	3/8	7/8	3/4
1060A20-C	63	21	21 1/4	24	19 1/4	18 3/4	7/8	1 5/8	3/8	7/8	3/4
1060A23-C	65	24 1/2	21 1/4	24	22 3/4	18 3/4	7/8	1 5/8	3/8	7/8	3/4

UNIGUARD® by Virtus Precision Tube, 3/8" O.D. CU-422 copper alloy tubing
 2,490 PSI burst pressure minimum
 Aluminum end plates to protect against rust corrosion
 Aluminum fins spaced at 14 FPI for proper air flow in replacement applications
 Piston metered for R-410A refrigerant, additional R-22 piston optional
 R-22 and R-410A expansion valve kits (loose or installed) available upon request
 Plastic drain pans; nylon resin is UL 94, 5VFR and U.V. safe
 22 ga. G-90 galvanized cabinets with 1/2" foil backed insulation in popular sizes
 Heal punched access door for removal without disconnecting line sets or drains
 Pre-swaged refrigerant connections, shipped with dry nitrogen holding charge
 Internal refrigerant volumes: 1024A=91.84, 1036A=128.57, 1048A=165.30 1060A=202.04
 Five year replacement warranty

Visit our website www.SustainableCoils.com for further information regarding our complete product line.

Telephone: (903) 881-6006

Fax: (903) 881-6008

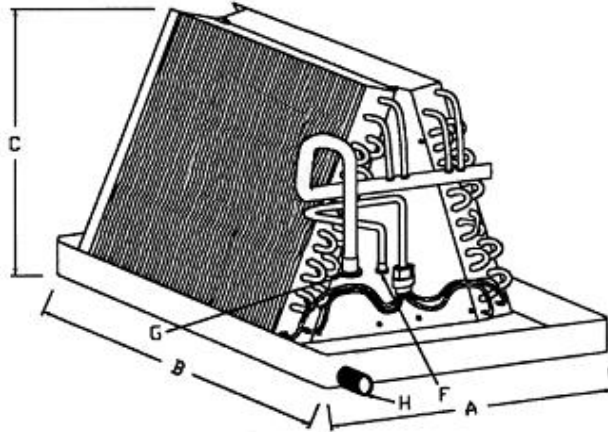
email: sales@SustainableCoils.com

Sustainable Coils LLC

Replacement Coil Solutions!

MOBILE HOME COILS

Revision Date: 03/10/2021



COIL MODEL	COIL WEIGHT	A	B	C	F	G	H
1024A-MH	22	18	19 1/2	16 1/2	3/8	3/4	3/4
1036A-MH	28	18	19 1/2	14 1/2	3/8	3/4	3/4
1036A-FED	34	15 3/4	20 5/8	14 1/2	3/8	3/4	3/4
1048A-MH	33	18	19 1/2	18 1/2	3/8	7/8	3/4
1048A-FED	38	15 3/4	20 5/8	18 1/2	3/8	7/8	3/4
1064A-MH	38	18	19 1/2	18 1/2	3/8	7/8	3/4
1448A-MH+4X4	33	18	19 1/2	18 1/2	3/8	7/8	3/4
1449A-MH+4X4	39	18	19 1/2	18 1/2	3/8	7/8	3/4

Hairpin Tube: UNIGUARD® by Virtus Precision Tube, 3/8" O.D. CU-422 copper alloy
2,490 PSI burst pressure minimum

Rows/FPI:
2 rows, 14 FPI: 1024A-MH
3 rows, 14 FPI: 1036A-MH, 1048A-MH, 1448A-MH4X4
1036A-FED, 1048A-FED
4 rows, 12 FPI: 1064A-MH, 1449A-MH+4X4

End Plates: Aluminum

Metering: Piston metered for R-410A refrigerant, additional R-22 piston optional
1448A-MH+4X4, 1049A-MH+4X4 includes factory installed R410A TXV

Refrigerant connections: Pre-swaged

IRV (cu. In.): 1024A=97.96 1036A=128.57, 1048A=165.30, 1064A=220.41
1448A-MH+4X4=165.30, 1449A-MH+4X4=220.41

Drain Pan: Nylon resin pans are UL 94, 5VFR rated and U.V. safe
FED drain pans are metal

Holding Charge: Dry nitrogen

Warranty: Five year replacement

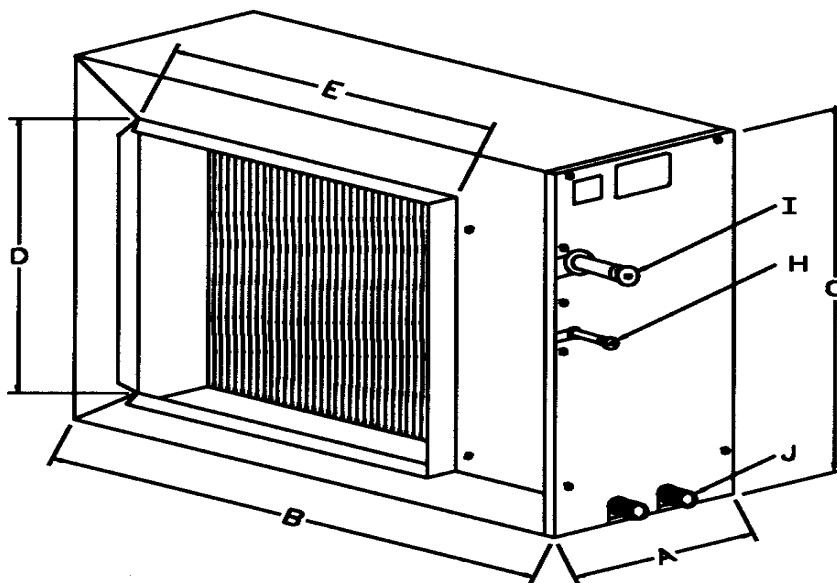
Please visit our website www.SustainableCoils.com for further information regarding our complete product line.

Sustainable Coils LLC

Replacement Coil Solutions!

HORIZONTAL SLAB COILS

Revision Date: 03/10/2021



COIL MODEL	COIL WEIGHT	A	B	C	D	E	H	I	J
HS-24	37	10	20	25	21	14	3/8	3/4	3/4
HS-36	43	10	25	25	21	19	3/8	3/4	3/4
HS-48	49	10	30	25	21	24	3/8	7/8	3/4
HS-60	55	10	34	25	21	28	3/8	7/8	3/4

UNIGUARD® by Virtus Precision Tube, 3/8" O.D. CU-422 copper alloy tubing
2,490 burst pressure minimum

Aluminum end plates to protect against rust corrosion

Louvered aluminum fins spaced at 14 FPI

Piston metered for R-410A refrigerant, additional R-22 piston optional

R-22 and R-410A expansion valve kits (loose or installed) available upon request

Metal drain pan

Pre-swaged refrigerant connection, shipped with dry nitrogen holding charge

Internal refrigerant volumes: HS24=96.43, HS36=130.87, HS48=165.30, HS60=192.86

Five year replacement warranty

Visit our website at www.Sustainablecoils.com for further information regarding our complete product line.

Sustainable Coils LLC

Replacement Coil Solutions!

Replacement coils for Trane/American Standard TWE, 2/4TEC, 2/4TEE, 2/4TEH Air Handlers

Sustainable Coils is proud to offer an affordable solution for TWE, 2/4TEC, 2/4TEE and 2/4TEH Air Handler coils that have failed and are no longer in warranty.

1. Our RCTWE replacement coils are a true drop-in replacement. The drain and line set connections are properly positioned to match the published dimensions of TWE air handler cover plates. Please refer to our notes section of the cross reference for models that require field modification of the header. Every coil comes with a factory installed vertical and horizontal drain pan.
2. We have maintained the proper internal refrigerant volumes for each model to ensure compatibility for heat pump applications. The replacement option from the OEM utilizes current production aluminum tubing, which has 18% less cubic inches of internal refrigerant volume due to the wall thickness needed to maintain burst pressures of R410A systems.
3. Each replacement coil model utilizes the proper metering device that was specified for the original application. The C14 models are equipped with piston metering for R-22 refrigerant. The C/D15, E13 and P13 models utilize R-22 adjustable expansion valves for heat pump or cooling only applications. Models with "+4X" at the end of the model number designates that an R-410A expansion valve has been factory installed prior to shipment.
4. All RCTWE replacement coils utilize UNIGUARD® by Virtus Precision Tube, 3/8" O.D. CU-422 copper alloy tubing for proven protection against formicary corrosion, the leading cause of coil leaks in copper tube applications. As an added feature, we special order the tubing with a backwall thickness of .013, giving our coils a 2,490 PSI burst pressure minimum which far exceeds industry standards.
5. Our RCTWE replacement coils carry a Five year replacement warranty for added end user peace of mind, instead of the one year replacement warranty currently available when using the OEM coil in a replacement application.

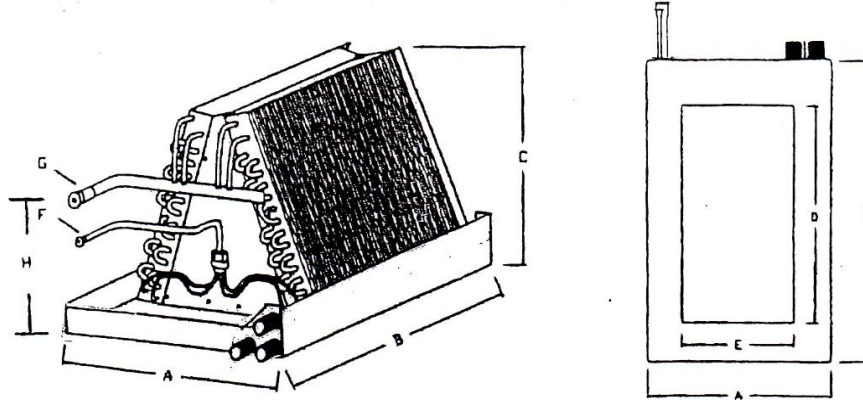
We have a complete cross reference list detailing the coil matches for TWE, TEE, TEC and TEH air handlers. Please refer to the notes section for information regarding field header modifications that are required on some models which deviate from published dimensions.

Sustainable Coils LLC

Replacement Coil Solutions!

TWE AIR HANDLER REPLACEMENT COILS

Revised 03/10/2021



COIL MODEL	COIL WEIGHT	A	B	C	D	E	F	G	H
RCTWE024C14	28	18 5/8	19 3/8	14	15 7/8	11 1/2	3/8	3/4	12 1/2
RCTWE030C14	30	18 5/8	19 3/8	12	15 7/8	11 1/2	3/8	3/4	12 1/2
RCTWE030P13, (+4X)	34	18 5/8	19 3/8	14	15 7/8	11 1/2	3/8	3/4	12 1/2
RCTWE036C14	33	18 5/8	19 3/8	14	15 7/8	11 1/2	3/8	3/4	12 1/2
RC2TEC3F36A, (+4X)	37	18 5/8	19 3/8	16	15 7/8	11 1/2	3/8	3/4	14 1/2
RCTWE036P13, (+4X)	40	18 5/8	19 3/8	18	15 7/8	11 1/2	3/8	7/8	14 1/2
RCTWE037E13, (+4X)	40	20 5/8	19 3/8	18	15 7/8	13 1/2	3/8	7/8	14 1/2
*RCTWE040E13, (+4X)	55	24	19 3/8	22	15 7/8	16 1/8	3/8	7/8	15 3/8
RCTWE042C14	39	20 5/8	19 3/8	18	15 7/8	13 1/2	3/8	7/8	14 1/2
RCTWE042P13, (+4X)	46	20 5/8	19 3/8	22	15 7/8	13 1/2	3/8	7/8	15 3/8
RCTWE048C14	46	20 5/8	19 3/8	22	15 7/8	13 1/2	3/8	7/8	21 3/8
*RCTWE060C/D15, (+4X)	57	20 5/8	19 3/8	27	15 7/8	13 1/2	3/8	7/8	27 1/2
*RCTWE060P13, (+4X)	68	24	19 3/8	27	15 7/8	16 1/8	3/8	7/8	24 1/8
*RCTWE065E13, (+4X)	75	24	19 3/8	32	15 7/8	16 1/8	3/8	7/8	24 1/8

* Denotes over size coil that must be shipped on a skid to a verifiable commercial location.

UNIGUARD® by Virtus Precision Tube, 3/8" O.D. CU-422 copper alloy tubing

2,490 PSI burst pressure minimum

Aluminum end plates for rust reduction

C14 coils are piston metered for R-22 refrigerant, additional R-410A piston optional

E13, P13, C/D15 coils equipped with factory installed R-22 expansion valves.

Model numbers ending in "+4X" equipped with factory installed R-410A expansion valves.

All expansion valves are adjustable and heat pump compatible.

H dimension measured from bottom of drain pan; add 3" if measuring below filter chamber

All RCTWE coils are equipped with factory installed vertical and horizontal drain pans

Refrigerant connections pre-swaged; coils shipped with dry nitrogen holding charge

Five year replacement warranty

For a printable cross reference PDF of RCTWE models, please visit our website

www.SustainableCoils.com.

Sustainable Coils LLC

Replacement Coil Solutions!

**Trane/American Standard Air Handler replacement coil cross reference:
03/10/2021**

Suction line height referenced in the cross reference notes is measured from bottom of drain pan. Add 3" if measuring from the bottom of the filter rack.

Some 2/4TEC, 2/4TEE and 2/4TEH models do not match the manufacturers published specifications for suction line height. There are also later revisions of the 4TEC 3.5 and 4 ton units that retained the same part numbers as earlier versions that deviate from published specifications.

If the notes state "Requires header modification" the Sustainable model listed is used for your application but the line set location may not match the access panel. To ensure that the header will match your access panel, the suction line will need to be modified in the field.

Trane/A.S. Model #	Sustainable Model #	Suction Line Height-Notes
TWE018C14	RCTWE024C14	12 1/2"-R-22 piston
TWE024C14	RCTWE024C14	12 1/2"-R-22 piston
TWE030C14	RCTWE030C14	12 1/2"-R-22 piston
TWE036C14	RCTWE036C14	12 1/2"-R-22 piston
TWE042C14	RCTWE042C14	14 1/2"-R-22 piston
TWE048C14	RCTWE048C14	21 3/8"-R-22 piston
TWE060C/D15	RCTWE060C/D15	27 1/2"-R-22 TXV

Trane/A.S. Model #	Sustainable Model #	Suction Line Height-Notes
TWE018P13	RCTWE030P13	12 1/2"-R-22 TXV
TWE024P13	RCTWE030P13	12 1/2"-R-22 TXV
TWE030P13	RCTWE030P13	12 1/2"-R-22 TXV
TWE036P13	RCTWE036P13	14 1/2"-R-22 TXV
TWE042P13	RCTWE042P13	15 3/8"-R-22 TXV
TWE048P13	RCTWE060P13	24 1/8"-R-22 TXV
TWE060P13	RCTWE060P13	24 1/8"-R-22 TXV
TWE063P13	RCTWE065E13	24 1/8"-R-22 TXV

Trane/A.S. Model #	Sustainable Model #	Suction Line Height-Notes
TWE031E13	RCTWE030P13	12 1/2"-R-22 TXV
TWE037E13	RCTWE037E13	14 1/2"-R-22 TXV
TWE040E13	RCTWE040E13	15 3/8"-R-22 TXV
TWE049E13	RCTWE060P13	24 1/8"-R-22 TXV
TWE065E13	RCTWE065E13	24 1/8"-R-22 TXV

Trane/American Standard Air Handler replacement coil cross reference:

03/10/2021

Page 2

Trane/A.S. Model #	Sustainable Model #	Suction Line Height-Notes
2TEC3F18A	RCTWE030P13	12 1/2"-R-22 TXV
2TEC3F24A	RCTWE030P13	12 1/2"-R-22 TXV
2TEC3F30A	RC2TEC3F36A	14 1/2"-R-22 TXV
2TEC3F36A	RC2TEC3F36A	14 1/2"-R-22 TXV
2TEC3F42A	RCTWE042P13	15 3/8"-R-22 TXV
2TEC3F48A	RCTWE060C/D15	27 1/2"-R-22 TXV
2TEC3F60A	RCTWE060C/D15	27 1/2"-R-22 TXV

Trane/A.S. Model #	Sustainable Model #	Suction Line Height-Notes
2TEC3F18B	RCTWE030P13	12 1/2"-R-22 TXV
2TEC3F24B	RCTWE030P13	12 1/2"-R-22 TXV
2TEC3F30B	RC2TEC3F36A	14 1/2"-R-22 TXV
2TEC3F36B	RC2TEC3F36A	14 1/2"-R-22 TXV
2TEC3F42B(C)	RCTWE042P13	15 3/8"-R-22 TXV
2TEC3F48B	RCTWE060C/D15	27 1/2"- R-22 TXV
2TEC3F55B	RCTWE060P13	24 1/8"-R-22 TXV
2TEC3F60B	RCTWE060C/D15	27 1/2"-R-22 TXV

Trane/A.S. Model #	Sustainable Model #	Suction Line Height-Notes
4TEC3F18A	RCTWE030P13+4X	12 1/2"-Requires R-410A TXV
4TEC3F24A	RCTWE030P13+4X	12 1/2"-Requires R-410A TXV
4TEC3F30A	RC2TEC3F36A+4X	14 1/2"-Requires R-410A TXV
4TEC3F36A	RC2TEC3F36A+4X	14 1/2"-Requires R-410A TXV
4TEC3F42A	RCTWE042P13+4X	15 3/8"-Requires R-410A TXV
4TEC3F48A	RCTWE060C/D15+4X	27 1/2"-Requires R-410A TXV
4TEC3F60A	RCTWE060C/D15+4X	27 1/2"-Requires R-410A TXV

Trane/A.S. Model #	Sustainable Model #	Suction Line Height-Notes
4TEC3F18B	RCTWE030P13+4X	12 1/2"-Requires R-410A TXV
4TEC3F24B	RCTWE030P13+4X	12 1/2"-Requires R-410A TXV
4TEC3F30B	RC2TEC3F36A+4X	14 1/2"-Requires R-410A TXV
4TEC3F36B	RC2TEC3F36A+4X	14 1/2"-Requires R-410A TXV
4TEC3F42B	RCTWE042P13+4X	15 3/8"-Requires R-410A TXV
4TEC3F42B-later version 4TEC3F42C-later version	RCTWE042P13+4X	19 1/2"-Field Verify! Requires header modification R-410A TXV
4TEC3F48B	RCTWE060C/D15+4X	27 1/2"-Requires R-410A TXV
4TEC3F48B-later version	RCTWE060C/D15+4X	24 1/2"-Field Verify! Requires header modification, R-410A TXV
4TEC3F55B	RCTWE060P13+4X	24 1/8"-Requires R-410A TXV
4TEC3F60B	RCTWE060C/D15+4X	27 1/2"-Requires R-410A TXV
4TEC3F60B-later version	RCTWE060C/D15+4X	24 1/2"-Field Verify! Requires header modification, R-410A TXV

Trane/American Standard Air Handler replacement coil cross reference:

03/10/2021

Page 3

Trane/A.S. Model #	Sustainable Model #	Suction Line Height-Notes
4TEE3C01A	RCTWE030P13+4X	12 1/2"-R-410A TXV
4TEE3C02A	RCTWE037E13+4X	14 1/2"-R-410A TXV
4TEE3C03A	RCTWE042P13+4X	14"- Modified header required R-410A TXV
4TEE3C04A	RCTWE042P13+4X	14"- Modified header required R-410A TXV
4TEE3C05A	RCTWE040E13+4X	15 3/8"-R-410A TXV
4TEE3C06A	RCTWE060C/D15+4X	23 3/4"-Modified header required, R-410A TXV
4TEE3C07A	RCTWE060P13+4X	24 1/8", R-410A TXV
4TEE3C08A	RCTWE060C/D15+4X	23 3/4"-Modified header required, R-410A TXV
4TEE3C09A	RCTWE065E13+4X	24 1/8", R-410A TXV
4TEE3C10A	RCTWE065E13+4X	24 1/8", R-410A TXV

Trane/A.S. Model #	Sustainable Model #	Suction Line Height-Notes
2/4TEE3F31A	RCTWE030P13	12 1/2"-R-22 TXV
2/4TEE3F37A	RCTWE037E13	14 1/2"-R-22 TXV
2/4TEE3F39A	RCTWE042P13	14 1/2"-Modified header height, Field verify! -R-22 TXV
2/4TEE3F40A	RCTWE040E13	15 3/8"-Field verify! -R-22 TXV
2/4TEE3F48A	RCTWE060C/D15	14 1/2"-Modified header height, Field verify! R-22 TXV
2/4TEE3F49A	RCTWE060P13	24 1/8"-Field verify! -R-22 TXV
2/4TEE3F64A	RCTWE060C/D15	14 1/2"-Modified header height, Field verify! R-22 TXV
2/4TEE3F65A	RCTWE065E13	24 1/8"-Field verify! -R-22 TXV

Trane/A.S. Model #	Sustainable Model #	Suction Line Height-Notes
4TEE3F31B	RCTWE030P13+4X	12 1/2"-Requires R-410A TXV
4TEE3F37B	RCTWE037E13+4X	14 1/2"-Requires R-410A TXV
4TEE3F39A	RCTWE042P13+4X	14 1/2"-Modified header height, Field verify! -Requires R-410A TXV
4TEE3F40B	RCTWE040E13+4X	15 3/8"-Requires R-410A TXV
4TEE3F48A	RCTWE060C/D15+4X	14 1/2"-Modified header height, Field verify! Requires R-410A TXV
4TEE3F49B	RCTWE060P13+4X	24 1/8"-Requires R-410A TXV
4TEE3F49C	RCTWE060P13+4X	24 1/8"-Requires R-410A TXV
4TEE3F64A	RCTWE060C/D15+4X	14 1/2"-Modified header height, Field verify! Requires R-410A TXV
4TEE3F65B	RCTWE065E13+4X	24 1/8"-Requires R-410A TXV
4TEE3F66A	RCTWE065E13+4X	24 1/8"-Requires R-410A TXV

Trane/American Standard Air Handler replacement coil cross reference:

03/10/2021

Page 4

Trane/A.S. Model #	Sustainable Model #	Suction Line Height-Notes
2TEH3F18A	RCTWE030P13	12 1/2"-R-22 TXV
2TEH3F24A	RCTWE030P13	12 1/2"-R-22 TXV
2TEH3F30A	RC2TEC3F36A	14 1/2"-R-22 TXV
2TEH3F36A	RC2TEC3F36A	14 1/2"-R-22 TXV
2TEH3F42A	RCTWE042P13	15 3/8"-R-22 TXV
2TEH3F48A	RCTWE060C/D15	27 1/2"-R-22 TXV
2TEH3F60A	RCTWE060C/D15	27 1/2"-R-22 TXV

Trane/A.S. Model #	Sustainable Model #	Suction Line Height-Notes
2TEH3F18B	RCTWE030P13	12 1/2"-R-22 TXV
2TEH3F24B	RCTWE030P13	12 1/2"-R-22 TXV
2TEH3F30B	RC2TEC3F36A	14 1/2"-R-22 TXV
2TEH3F36B	RC2TEC3F36A	14 1/2"-R-22 TXV
2TEH3F42B	RCTWE042P13	15 3/8"-R-22 TXV
2TEH3F48B	RCTWE060C/D15	27 1/2"-R-22 TXV
2TEH3F60B	RCTWE060C/D15	27 1/2"-R-22 TXV

Trane/A.S. Model #	Sustainable Model #	Suction Line Height-Notes
4TEH3F18B	RCTWE030P13+4X	12 1/2"-Requires R-410A TXV
4TEH3F24B	RCTWE030P13+4X	12 1/2"-Requires R-410A TXV
4TEH3F30B	RC2TEC3F36A+4X	14 1/2"-Requires R-410A TXV
4TEH3F36B	RC2TEC3F36A+4X	14 1/2"-Requires R-410A TXV
4TEH3F42B	RCTWE042P13+4X	15 3/8"-Field verify! Requires R-410A TXV
4TEH3F48B	RCTWE060C/D15+4X	27 1/2"-Field verify! Requires R-410A TXV
4TEH3F60B	RCTWE060C/D15+4X	27 1/2"-Field verify! Requires R-410A TXV

Sustainable Coils LLC

Replacement Coil Solutions!

F-series Air Handlers

Replacement coils for Carrier, Bryant, Payne, Arcoaire, Comfortmaker, Day & Night, Heil, Tempstar and ICP private brands

Sustainable Coils is proud to offer an affordable solution for F-Series Air Handler coils that have failed and are no longer in warranty.

1. Our slope coil line set connections are properly positioned to match the existing air handler cover plate. The end brackets are slotted to accept the coil support brackets from the old unit. The end brackets of the slope coil have pilot holes for attachment of the existing drain pan. Plus, we furnish a factory installed top attachment baffle for ease of installation. **The existing drain pan and leg supports must be reused.**
2. The A-coil replacements have a properly sized G-90 22 gauge paint grip metal drain pan that is coated for rust protection. The drain connections are positioned to fit the access panel and the pan is equipped with drain pan brackets already attached to the bottom of the pan. The A-coil line sets are positioned to match the existing access panel. The 314A2430, 318A4248 and 324A4860 top baffle is sized to accept the Air Seal Assembly from the existing coil if the coil is used in a horizontal application. The 424A60+TXV has been re-engineered from a 3 row coil to a 4 row coil to eliminate skid only shipping issues. The new 4 row coil maintains the correct internal refrigerant volume, drain pan and line set connection locations. The coil is 6" shorter and does not need the Air seal assembly from the old coil in horizontal applications.
3. We have maintained the proper internal refrigerant volumes for each model to ensure compatibility for heat pump applications.
4. All F-Series replacement coils utilize UNIGUARD® by Virtus Precision Tube, 3/8" O.D. CU-422 copper alloy tubing for proven protection against formicary corrosion, the leading cause of coil leaks in copper tube applications. As an added feature, we special order the tubing with a backwall thickness of .013, giving our coils a 2,490 PSI burst pressure minimum which far exceeds industry standards.
5. Our F-Series replacement coils carry a Five year replacement warranty for added end user peace of mind, instead of the one year replacement warranty currently available when using the OEM coil in a replacement application.

It may be necessary to change out the metering device depending upon your refrigerant and replacement model application.

Sustainable Coils LLC

Replacement Coil Solutions!

Carrier/Bryant/ICP F-series Air Handler replacement coils

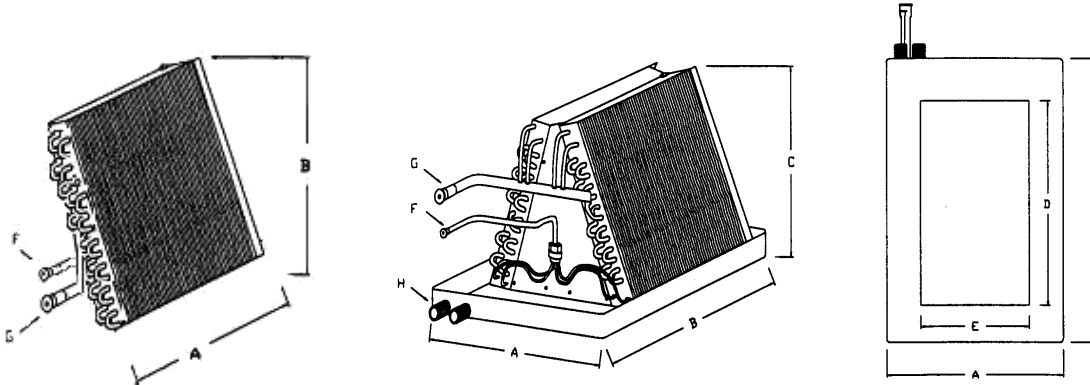
Revision Date: 03/10/2021

SLOPE MODEL	COIL WEIGHT	Face Area	Rows	G	B	F	G
318S2430	18	2.23 sq ft	3	21"	18"	3/8	3/4
324S3036	24	2.97 sq ft	3	21"	24"	3/8	3/4
328S3642	28	3.46 sq ft	3	21"	28"	3/8	7/8

** Denotes limited stock item, please contact factory for availability

All slope coils have the following characteristics in common:

- Pre-punched brackets to accept coil support columns
- Pre-installed side block off baffles for proper fit
- Pre-installed coil top seal
- Line sets positioned to fit access panel location



A-coil pictured above for dimensional use only and does not accurately depict liquid and suction line location.

"A" MODEL	COIL WEIGHT	A	B	C	D	E	F	G	H
*314A2430	34	15 3/4	20 5/8	14 1/2	16	9 3/4	3/8	3/4	3/4
*318A4248	37	19 1/4	20 5/8	18 1/2	16	13 1/4	3/8	7/8	3/4
*324A4860	46	19 1/4	20 5/8	24 1/2	16	13 1/4	3/8	7/8	3/4
*324A4860W	49	22 3/4	20 5/8	24 1/2	16	16 1/4	3/8	7/8	3/4
424A60+2X (+4X)	54	22 3/4	20 5/8	24 1/2	16 1/2	14 1/4	3/8	7/8	3/4

*A-coil top baffle sized to accept horizontal top seal from replaced coil

- Metal drain pan coated for rust protection; drains match air handler access panel location
- Drain pan equipped with coil brackets for proper mounting
- UNIGUARD® by Virtus Precision Tube, 3/8" O.D. CU-422 copper alloy tubing
- 2,490 PSI burst pressure minimum
- All coils utilize aluminum end plates for rust reduction
- All coils maintain proper Internal Refrigerant Volumes for heat pump compatibility
- All suction and liquid lines positioned to air handler access panel location
- Line sets pre-swaged, coils shipped with dry nitrogen holding charge
- Five year replacement warranty

For printable line art and cross reference utilization chart PDF please visit our website at www.SustainableCoils.com.

Telephone: (903) 881-6006

Fax: (903) 881-6008

email: sales@sustainablecoils.com

Sustainable Coils LLC

Replacement Coil Solutions!

F-SERIES AIR HANDLER CROSS REFERENCE UTILIZATION CHART

Carrier, Bryant, Payne F-Series Air Handler models: FA4A, FA4B, FA4C, FB4A, FB4B, FB4C, FC4B, FC4C, FC4D, FE4A, FE5A, FK4C, FK4D, FV4A, FV4B, FV4C, FX4B, FX4C, FX4D, FY4A, PF1MNA, PF1MNB, PF1MNC, PF4MNA and PF4MNB:

03/10/2021

“S” in the model number designates slope coil, “A” designates A-coil. If your air handler model is not shown, please consult your Wholesale Distributor or contact the factory for the correct coil model number.

Please note: Due to the multiple uses of the coil model numbers in various tonnages and air handlers, it may be necessary to change out the piston or field install a Sustainable Coils TXV for a proper match to the outdoor unit. Replacement coils may be ordered with the correct piston or TXV factory installed with a minimal up-charge to fit the desired application. Please consult your Wholesale Distributor or the factory to verify the correct metering device needed for your refrigerant application.

The 424A60+TXV is a drop in replacement that does not replicate the original coil. The 424A60+TXV is a 4 row coil with a factory installed TXV that is 24 1/2” tall. It is manufactured to fit into the 26 11/16” wide air handlers. The original coil that it replaces is a 3 row 30” tall coil with a 7.42 sq. ft. face area. The internal refrigerant volumes of both coils match for heat pump application compatibility, plus the drains and line set connections match the access panel. Due to the 4 row configuration, the horizontal top seal from the original coil will not fit the top baffle. Since the coil is 6” shorter than the original coil, it may be used in a horizontal application without the top seal.

OEM Model #	Sustainable Model #	Specified Metering
FA4ANF018	218S18	Piston
FA4ANF024	318S2430	Piston
FA4ANF030	324S3036	Piston
FA4ANF036	324S3036	Piston
FA4ANF042	328S3642	Piston
FA4ANF048	318A4248	Piston
FA4ANF060	324A4860	Piston

OEM Model #	Sustainable Model #	Specified Metering
FA4BNF018	218S18	Piston
FA4BNF024	318S2430	Piston
FA4BNF030	324S3036	Piston
FA4BNF036	324S3036	Piston
FA4BNF042	328S3642	Piston
FA4BNF048	318A4248	Piston
FA4BNF060	324A4860	Piston

Carrier, Bryant, Payne F-Series Air Handler cross reference:

03/10/2021

Page 2

OEM Model #	Sustainable Model #	Specified Metering
FA4CNF018	318S2430+2X	R-22 TXV
FA4CNF024	324S3036+2X	R-22 TXV
FA4CNF030	324S3036+2X	R-22 TXV
FA4CNF036	328S3642+2X3	R-22 TXV
FA4CNF042	318A4248+2X	R-22 TXV
FA4CNF048	324A4860+2X	R-22 TXV
FA4CNB060	424A60+2X	R-22 TXV

OEM Model #	Sustainable Model #	Specified Metering
FB4ANF018	218S18	Piston
FB4ANF024	318S2430	Piston
FB4ANF030	324S3036	Piston
FB4ANF036	324S3036	Piston
FB4ANF042	328S3642	Piston
FB4ANF048	318A4248	Piston
FB4ANF060	324A4860	Piston
FB4ANF070	424A60+2X	R-22 TXV

OEM Model #	Sustainable Model #	Specified Metering
FB4BNF018	218S18	Piston
FB4BNF024	318S2430	Piston
FB4BNF030	324S3036	Piston
FB4BNF036	324S3036	Piston
FB4BN(B,F)042	328S3642	Piston
FB4BN(B,F)048	318A4248	Piston
FB4BN(B,F)060	324A4860	Piston
FB4BNB070	424A60+2X	R-22 TXV

OEM Model #	Sustainable Model #	Specified Metering
FB4CNF018	318S2430	Piston
FB4CNF024	318S2430	Piston
FB4CNF030	324S3036	Piston
FB4CNF036	324S3036	Piston
FB4CNF042	318A4248	Piston
FB4CNF048	318A4248	Piston
FB4CNF060	324A4860+2X	R-22 TXV

OEM Model #	Sustainable Model #	Specified Metering
FC4BNF024	318S2430+2X	R-22 TXV
FC4BNF030	324S3036+2X	R-22 TXV
FC4BNF036	324S3036+2X	R-22 TXV
FC4BNF038	324A4860+2X3	R-22 TXV
FC4BNF042	328S3642+2X	R-22 TXV
FC4BN(B,F)048	318A4248+2X	R-22 TXV
FC4BNF054	424A60+2X	R-22 TXV
FC4BNF060	324A4860+2X	R-22 TXV
FC4BNF070	424A60+2X	R-22 TXV

Carrier, Bryant, Payne F-Series Air Handler cross reference:

03/10/2021

Page 3

OEM Model #	Sustainable Model #	Specified Metering
FC4CNF024	318S2430+2X	R-22 TXV
FC4CNF030	324S3036+2X	R-22 TXV
FC4CNF036	324S3036+2X	R-22 TXV
FC4CNF042	328S3642+2X	R-22 TXV
FC4CNF048	318A4248+2X	R-22 TXV
FC4CNB054	424A60+2X	R-22 TXV
FC4CNF060	324A4860+2X	R-22 TXV
FC4CNB070	424A60+2X	R-22 TXV

OEM Model #	Sustainable Model #	Specified Metering
FC4DNF018	318S2430+2X	R-22 TXV
FC4DNF024	324S3036+2X	R-22 TXV
FC4DNF030	324S3036+2X	R-22 TXV
FC4DN(B,F)036	328S3642+2X3	R-22 TXV
FC4DN(B,F)042	318A4248+2X	R-22 TXV
FC4DN(B,F)048	324A4860+2X	R-22 TXV
FC4DN(B,F)060	424A60+2X	R-22 TXV

OEM Model #	Sustainable Model #	Specified Metering
FE4ANF002	314A2430+4X	R-410A TXV
FE4AN(B,F)003	328S3642+4X	R-410A TXV
FE5ANB004	424A60+4X3	R-410A TXV
FE4AN(B,F)005	324A4860+4X	R-410A TXV
FE4ANB006	424A60+4X	R-410A TXV

OEM Model #	Sustainable Model #	Specified Metering
FK4CNF001	324S3036+2X	R-22 TXV
FK4CNF002	314A2430+2X	R-22 TXV
FK4CNF003	328S3642+2X	R-22 TXV
FK4CNF005	324A4860+2X	R-22 TXV
FK4CNB006	424A60+2X	R-22 TXV

OEM Model #	Sustainable Model #	Specified Metering
FK4DNF001	324S2430+2X	R-22 TXV
FK4DNF002	314A2430+2X	R-22 TXV
FK4DN(B,F)003	328S3642+2X	R-22 TXV
FK4DN(B,F)005	324A4860+2X	R-22 TXV
FK4DNB006	424A60+2X	R-22 TXV

OEM Model #	Sustainable Model #	Specified Metering
FV4ANF002	314A2430+4X	R-410A TXV
FV4ANF003	328S3642+4X3	R-410A TXV
FV4ANF005	324A4860+4X	R-410A TXV
FV4ANB006	424A60+4X	R-410A TXV

OEM Model #	Sustainable Model #	Specified Metering
FV4BNF002	314A2430+4X	R-410A TXV
FV4BNF003	328S3642+4X3	R-410A TXV
FV4BNF005	324A4860+4X	R-410A TXV
FV4BNF006	424A60+4X	R-410A TXV

Carrier, Bryant, Payne F-Series Air Handler cross reference:

03/10/2021

Page 4

OEM Model #	Sustainable Model #	Specified Metering
FV4CNF002	314A2430+4X	R-410A TXV
FV4CN(B,F)003	328S3642+4X3	R-410A TXV
FV4CN(B,F)005	324A4860+4X	R-410A TXV
FV4CNB006	424A60+4X	R-410A TXV

OEM Model #	Sustainable Model #	Specified Metering
FX4ANF030	324S3036+4X	R-410A TXV
FX4ANF036	328S3642+4X3	R-410A TXV
FX4ANF042	318A4248+4X	R-410A TXV
FX4ANF048	324A4860+4X	R-410A TXV
FX4ANF060	424A60+4X	R-410A TXV

OEM Model #	Sustainable Model #	Specified Metering
FX4BNF018	318S2430+4X	R-410A TXV
FX4BNF030	324S3036+4X	R-410A TXV
FX4BNF036	328S3642+4X3	R-410A TXV
FX4BNF042	318A4248+4X	R-410A TXV
FX4BNF048	324A4860+4X	R-410A TXV
FX4BNF060	424A60+4X	R-410A TXV

OEM Model #	Sustainable Model #	Specified Metering
FX4CNF018	318S2430+4X	R-410A TXV
FX4CNF024	324S3036+4X	R-410A TXV
FX4CNF030	324S3036+4X	R-410A TXV
FX4CN(B,F)036	328S3642+4X3	R-410A TXV
FX4CN(B,F)042	318A4248+4X	R-410A TXV
FX4CN(B,F)048	324A4860+4X	R-410A TXV
FX4CN(B,F)060	424A60+4X	R-410A TXV

OEM Model #	Sustainable Model #	Specified Metering
FX4DNF019	324S3036+4X	R-410A TXV
FX4DNF025	324S3036+4X	R-410A TXV
FX4DN(B,F)031	328S3642+4X3	R-410A TXV
FX4DN(B,F)037	318A4248+4X3	R-410A TXV
FX4DN(B,F)043	318A4248+4X	R-410A TXV
FX4DN(B,F)049	324A4860W+4X	R-410A TXV
FX4DN(B,F)061	424A60+4X	R-410A TXV

OEM Model #	Sustainable Model #	Specified Metering
FY4ANF018	318S2430+4X	R-410A TXV
FY4ANF024	324S3036+4X	R-410A TXV
FY4ANF030	324S3036+4X	R-410A TXV
FY4ANF036	328S3642+4X3	R-410A TXV
FY4ANF042	318A4248+4X	R-410A TXV
FY4ANF048	324A4860+4X	R-410A TXV
FY4ANB060	424A60+4X	R-410A TXV

Carrier, Bryant, Payne F-Series Air Handler cross reference:

03/10/2021

Page 5

OEM Model #	Sustainable Model #	Specified Metering
PF1MNA018	218S18	Piston
PF1MNA024	318S2430	Piston
PF1MNA030	324S3036	Piston
PF1MNA036	324S3036	Piston
PF1MNA042	328S3642	Piston
PF1MNA048	318A4248	Piston
PF1MNA060	324A4860	Piston
PF1MNA070	424A60	Piston
PF1MNA071	424A60+2X	R-22 TXV

OEM Model #	Sustainable Model #	Specified Metering
PF1MNB018	218S18	Piston
PF1MNB024	318S2430	Piston
PF1MNB030	324S3036	Piston
PF1MNB036	324S3036	Piston
PF1MNB042	328S3642	Piston
PF1MNB048	318A4248	Piston
PF1MNB060	324A4860	Piston
PF1MNB070	424A60	Piston
PF1MNB071	424A60+2X	R-22 TXV

OEM Model #	Sustainable Model #	Specified Metering
PF1MNC018	318S2430+2X	R-22 TXV
PF1MNC024	324S3036+2X	R-22 TXV
PF1MNC030	324S3036+2X	R-22 TXV
PF1MNC036	328S3642+2X3	R-22 TXV
PF1MNC037	328S3642+2X3	R-22 TXV
PF1MNC042	318A4248+2X	R-22 TXV
PF1MNC043	318A4248+2X	R-22 TXV
PF1MNC048	324A4860+2X	R-22 TXV
PF1MNC049	324A4860+2X	R-22 TXV
PF1MNC060	424A60+2X	R-22 TXV
PF1MNC061	424A60+2X	R-22 TXV

OEM Model #	Sustainable Model #	Specified Metering
PF4MNA018	318S2430+4X	R-410A TXV
PF4MNA019	318S2430+4X	R-410A TXV
PF4MNA024	324S3036+4X	R-410A TXV
PF4MNA025	324S3036+4X	R-410A TXV
PF4MNA030	324S3036+4X	R-410A TXV
PF4MNA031	324S3036+4X	R-410A TXV
PF4MNA036	328S3642+4X3	R-410A TXV
PF4MNA037	328S3642+4X3	R-410A TXV
PF4MNA042	318A4248+4X	R-410A TXV
PF4MNA043	318A4248+4X	R-410A TXV
PF4MNA048	324A4860+4X	R-410A TXV
PF4MNA049	324A4860+4X	R-410A TXV
PF4MNA060	424A60+4X	R-410A TXV
PF4MNA061	424A60+4X	R-410A TXV

Carrier, Bryant, Payne F-Series Air Handler cross reference:

03/10/2021

Page 6

OEM Model #	Sustainable Model #	Specified Metering
PF4MNB019	324S3036+4X	R-410A TXV
PF4MNB025	324S3036+4X	R-410A TXV
PF4MNB031	328S3642+4X3	R-410A TXV
PF4MNB037	318A4248+4X3	R-410A TXV
PF4MNB043	318A4248+4X4	R-410A TXV
PF4MNB049	324A4860+4X5	R-410A TXV
PF4MNB061	424A60+4X5	R-410A TXV

3/8 O.D. UNIGUARD® by Virtus Precision Tube CU-422 copper alloy tubing

2,490 burst pressure minimum

Aluminum end plates for rust reduction

Piston models metered for R-22 applications, R-410A pistons available upon request

Expansion valve kits with chatleff fittings available upon request

Factory installed expansion valves available upon request

Suction and liquid lines positioned to access panel locations

Pre-swaged suction and liquid lines, shipped with dry nitrogen holding charge

A-coils utilize a G-90 paint grip metal coated drain pan with coil brackets

A-coil drains positioned to match access panel

314A2430, 318A4248 and 324A4860 top baffle sized to accept horizontal top seal from old coil.

424A60+TXV top baffle will not accept the horizontal top seal

Proper internal refrigerant volumes maintained for heat pump compatibility

Coils carry a Five year replacement warranty from date of installation

Proudly manufactured and assembled in Lindale, Texas

Sustainable Coils LLC

Replacement Coil Solutions!

ICP F-SERIES CROSS REFERENCE UTILIZATION CHART

INTERNATIONAL COMFORT PRODUCTS F-Series Air Handler models: EBP, EBV, EBX, EBXX, FEM2X, FEM4P, FEM4X, FSM2X, FSM4P, FSM4X, FSU2X, FSU4P, FSU4X, FVM2X, FVM4X, FXM4X and WAHL.

03/10/2021

“S” in the model number designates slope coil, “A” designates A-coil. If your air handler model is not shown, please consult your Wholesale Distributor or contact the factory for the correct coil model number.

Please note: Due to the multiple use of the coil model numbers in various tonnages and air handlers, it may be necessary to change out the piston or field install a Sustainable Coils TXV kit for a proper match to the outdoor unit. Replacement coils may be ordered with the correct piston or TXV factory installed with a minimal up-charge to fit the desired application. Please consult your Wholesale Distributor or the factory to verify the correct metering device needed for your refrigerant application.

The 424A60+TXV is a drop in replacement that **does not** replicate the original coil. The 424A60+TXV is a 4 row coil with a factory installed TXV that is 24 1/2” tall. It is manufactured to fit into the 26 11/16” wide air handlers. The original coil that it replaces is a 3 row 30” tall coil with a 7.42 sq. ft. face area. The internal refrigerant volumes of both coils match for heat pump application compatibility, plus the drains and line set connections match the access panel. Due to the 4 row configuration, the horizontal top seal from the original coil will not fit the top baffle. Since the coil is 6” shorter than the original coil, it may be used in a horizontal application without the top seal.

OEM Model #	Sustainable Model #	Specified Metering
EBP1800	218S18	Piston
EBP2400	318S2430	Piston
EBP3000	324S3036	Piston
EBP3600	324S3036	Piston
EBP4200	328S3642	Piston
EBP4800	318A4248	Piston
EBP6000	324A4860	Piston

OEM Model #	Sustainable Model #	Specified Metering
EBV2400B	314A2430+2X	R-22 TXV
EBV3600B	328S3642+2X3	R-22 TXV
EBV4800B	324A4860+2X	R-22 TXV
EBV6000B	424A60+2X	R-22 TXV

International Comfort Products F-Series Air Handler cross reference:

03/10/2021

Page 2

OEM Model #	Sustainable Model #	Specified Metering
EBX1800	318S2430+2X	R-22 TXV
EBX2400	324S3036+2X	R-22 TXV
EBX3600	328S3642+2X3	R-22 TXV
EBX4800	324A4860+2X	R-22 TXV
EBX6000	424A60+2X	R-22 TXV

OEM Model #	Sustainable Model #	Specified Metering
EBXX1800	318S2430+4X	R-410A TXV
EBXX2400	324S3036+4X	R-410A TXV
EBXX3600	328S3642+4X3	R-410A TXV
EBXX4800	324A4860+4X	R-410A TXV
EBXX6000	424A60+4X	R-410A TXV

OEM Model #	Sustainable Model #	Specified Metering
FEM2X1800A	318S2430+2X	R-22 TXV
FEM2X2400A	324S3036+2X	R-22 TXV
FEM2X3000A	324S3036+2X	R-22 TXV
FEM2X3500A	328S3642+2X3	R-22 TXV
FEM2X3600A	318A4248+2X3	R-22 TXV
FEM2X4200A	318A4248+2X	R-22 TXV
FEM2X4800A	324A4860+2X	R-22 TXV
FEM2X6000A	424A60+2X	R-22 TXV

OEM Model #	Sustainable Model #	Specified Metering
FEM4P1800	318S2430	Piston
FEM4P2400	318S2430	Piston
FEM4P3000	324S3036	Piston
FEM4P3600	324S3036	Piston
FEM4P4200	318A4248	Piston
FEM4P4800	318A4248	Piston

OEM Model #	Sustainable Model #	Specified Metering
FEM4X1800A	318S2430+4X	R-410A TXV
FEM4X2400A	324S3036+4X	R-410A TXV
FEM4X3000A	324S3036+4X	R-410A TXV
FEM4X3600A	318A4248+4X3	R-410A TXV
FEM4X4200A	318A4248+4X	R-410A TXV
FEM4X4800A	324A4860+4X	R-410A TXV
FEM4X6000A	424A60+4X	R-410A TXV

OEM Model #	Sustainable Model #	Specified Metering
FEM4X1800B	318S2430+4X	R-410A TXV
FEM4X2400B	324S3036+4X	R-410A TXV
FEM4X3000B	324S3036+4X	R-410A TXV
FEM4X3600B	318A4248+4X3	R-410A TXV
FEM4X4200B	318A4248+4X	R-410A TXV
FEM4X4800B	324A4860+4X	R-410A TXV
FEM4X6000B	324A4860+4X	R-410A TXV

International Comfort Products F-Series Air Handler cross reference:

03/10/2021

Page 3

OEM Model #	Sustainable Model #	Specified Metering
FSM2X1800A	318S2430+2X	R-22 TXV
FSM2X2400A	324S3036+2X	R-22 TXV
FSM2X3000A	324S3036+2X	R-22 TXV
FSM2X3600A	318A4248+2X3	R-22 TXV
FSM2X4200A	318A4248+2X	R-22 TXV
FSM2X4800A	324A4860+2X	R-22 TXV
FSM2X6000A	424A60+2X	R-22 TXV

OEM Model #	Sustainable Model #	Specified Metering
FSM4P1800	324S3036	Piston
FSM4P2400	324S3036	Piston
FSM4P3000	328S3642	Piston
FSM4P3600	328S3642	Piston
FSM4P4200	318A4248	Piston
FSM4P4800	324A4860W	Piston

OEM Model #	Sustainable Model #	Specified Metering
FSM4X1800A	318S2430+4X	R-410A TXV
FSM4X2400A	324S3036+4X	R-410A TXV
FSM4X3000A	324S3036+4X	R-410A TXV
FSM4X3600A	318A4248+4X3	R-410A TXV
FSM4X4200A	318A4248+4X	R-410A TXV
FSM4X4800A	324A4860+4X	R-410A TXV
FSM4X6000A	424A60+4X	R-410A TXV

OEM Model #	Sustainable Model #	Specified Metering
FSU2X1800A	318S2430+2X	R-22 TXV
FSU2X2400A	324S3036+2X	R-22 TXV
FSU2X3000A	324S3036+2X	R-22 TXV
FSU2X3600A	328S3642+2X3	R-22 TXV
FSU2X4200A	318A4248+2X	R-22 TXV
FSU2X4800A	324A4860+2X	R-22 TXV
FSU2X6000A	424A60+2X	R-22 TXV

OEM Model #	Sustainable Model #	Specified Metering
FSU4P1800	324S3036	Piston
FSU4P2400	324S3036	Piston
FSU4P3000	328S3642	Piston
FSU4P3600	328S3642	Piston
FSU4P4200	318A4248	Piston
FSU4P4800	324A4860W	Piston

OEM Model #	Sustainable Model #	Specified Metering
FSU4X1800A	318S2430+4X	R-410A TXV
FSU4X2400A	324S3036+4X	R-410A TXV
FSU4X3000A	324S3036+4X	R-410A TXV
FSU4X3600A	328S3642+4X3	R-410A TXV
FSU4X4200A	318A4248+4X	R-410A TXV
FSU4X4800A	324A4860+4X	R-410A TXV
FSU4X6000A	424A60+4X	R-410A TXV

International Comfort Products F-Series Air Handler cross reference:

03/10/2021

Page 4

OEM Model #	Sustainable Model #	Specified Metering
FVM2X2400A	314A2430+2X	R-22 TXV
FVM2X3600A	328S3642+2X3	R-22 TXV
FVM2X4800A	324A4860+2X	R-22 TXV
FVM2X6000A	424A60+2X	R-22 TXV

OEM Model #	Sustainable Model #	Specified Metering
FVM4X2400A	314A2430+4X	R-410A TXV
FVM4X3600A	328S3642+4X3	R-410A TXV
FVM4X4800A	324A4860+4X	R-410A TXV
FVM4X6000A	424A60+4X	R-410A TXV

OEM Model #	Sustainable Model #	Specified Metering
FXM4X1800A	324S3036+4X	R-410A TXV
FXM4X2400A	324S3036+4X	R-410A TXV
FXM4X3000A	328S3642+4X3	R-410A TXV
FXM4X3600A	318A4248+4X3	R-410A TXV
FXM4X4200A	318A4248+4X	R-410A TXV
FXM4X4800A	324A4860W+4X	R-410A TXV
FXM4X6000A	424A60+4X	R-410A TXV

OEM Model #	Sustainable Model #	Specified Metering
WAHL184B	318S2430+4X	R-410A TXV
WAHL244C	324S3036+4X	R-410A TXV
WAHL304B	324S3036+4X	R-410A TXV
WAHL364B	324S3036+4X	R-410A TXV
WAHL424B	318A4248+4X	R-410A TXV
WAHL484B	318A4248+4X	R-410A TXV
WAHL604B	324A4860+4X	R-410A TXV

3/8 O.D. UNIGUARD® by Virtus Precision Tube CU-422 copper alloy tubing

2,490 PSI burst pressure minimum

Aluminum end plates for rust reduction

Piston models metered for R-22 applications, R-410A pistons available upon request

Expansion valve kits with chatleff fittings available upon request

Factory installed expansion valves available upon request

Suction and liquid lines positioned to access panel locations

Pre-swaged suction and liquid lines, shipped with dry nitrogen holding charge

A-coils utilize a G-90 paint grip metal coated drain pan with coil brackets

A-coil drains positioned to match access panel

314A2430, 318A4248 and 324A4860 top baffle sized to accept horizontal top seal from old coil.

424A60+TXV top baffle will not accept the horizontal top seal

Proper internal refrigerant volumes maintained for heat pump compatibility

Coils carry a Five year replacement warranty from date of installation

Proudly manufactured and assembled in Lindale, Texas

EPA - EXA REPLACEMENT COILS

For Arcoaire, Comfortmaker, Heil, Tempstar & ICP Brands

1. In order to complement our manufacturing process and eliminate costly setups, certain models have been redesigned from 2 row coils to 3 rows, and 3 row coils to 4 rows. We have maintained the proper internal refrigerant volumes for each model to insure compatibility for heat pump applications. The new designs will be shorter, but all other dimensions are maintained for ease of installation. Redesigned models are noted with an asterisk in front of the model number.
2. The line set connections for our EPA-EXA replacement coils are properly positioned to match published specifications. The drain pan is properly sized for each application and the drain connections are positioned to fit the access panel.
3. All EPA-EXA replacement coils utilize UNIGUARD® by Virtus Precision Tube, 3/8" O.D. CU-422 copper alloy tubing for proven protection against formicary corrosion, the leading cause of coil leaks in copper tube applications. As an added feature, we special order the tubing with a backwall thickness of .013, giving our coils a 2,490 PSI burst pressure minimum which far exceeds industry standards.
4. Our EPA-EXA coils can also be used in certain ICP air handlers such as the (N)FCP and (N)FCX models. Please refer to our EPA-EXA cross reference for model numbers.
5. Our EPA-EXA replacement coils carry a Five year replacement warranty.
6. Please be aware that the original EPA24, EPA30 and EPA36 coils were 2 row coils with limited internal refrigerant volumes. Our EPA versions of these models should only be used if the replacements will be used with the original outdoor unit. If the outdoor unit has been replaced due to a past failure, we strongly suggest utilizing our EXA versions for outdoor unit compatibility.

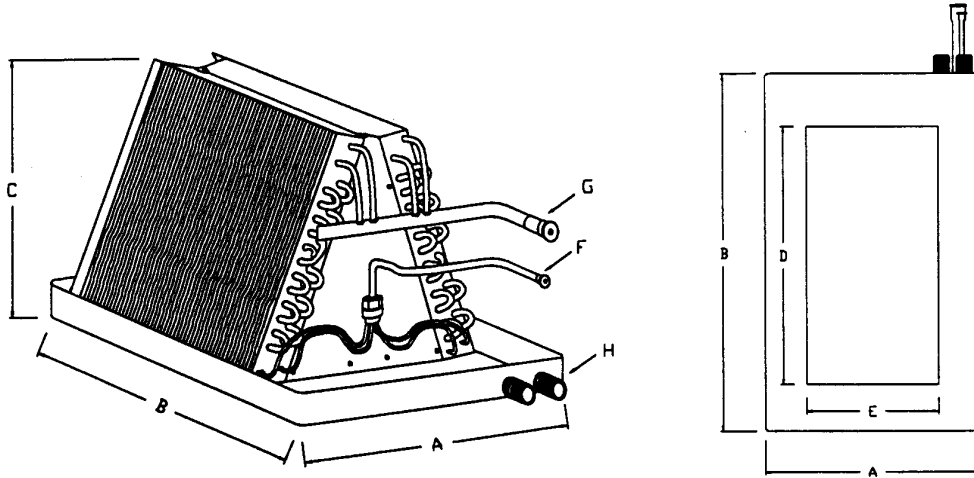
Some EPA-EXA replacement coils are limited stock items and may require up to 10 business days to manufacture. Please contact the factory for availability and current lead time.

Sustainable Coils LLC

Replacement Coil Solutions!

EPA-EXA REPLACEMENT A-COILS

Revision date: 03/10/2021



COIL MODEL	COIL WEIGHT	ROWS	A	B	C	D	E	F	G	H
**RC-EPA24B15	24	3	14 3/4	19 3/4	10 1/2	15 3/4	7 1/2	3/8	3/4	3/4
RC-EXA24B15	32	3	14 3/4	19 3/4	14 1/2	15 3/4	7 1/2	3/8	3/4	3/4
**RC-EPA36B15	30	3	14 3/4	19 3/4	12 1/2	15 3/4	7 1/2	3/8	3/4	3/4
**RC-EPA36F19	32	3	18 1/8	19 3/4	12 1/2	15 3/4	10 3/4	3/8	3/4	3/4
RC-EXA36B15	38	3	14 3/4	19 3/4	18 1/2	15 3/4	7 1/2	3/8	3/4	3/4
RC-EXA36F19	39	3	18 1/8	19 3/4	18 1/2	15 3/4	10 3/4	3/8	3/4	3/4
RC-EPA42F19	39	3	18 1/8	19 3/4	18 1/2	15 3/4	10 3/4	3/8	7/8	3/4
RC-EPA48F19	43	3	18 1/8	19 3/4	20 1/2	15 3/4	10 3/4	3/8	7/8	3/4
RC-EPA48J22	46	3	21 7/8	19 3/4	22 1/2	15 3/4	14 1/2	3/8	7/8	3/4
RC-EPA48L24	47	3	23 1/2	19 3/4	22 1/2	15 3/4	17	3/8	7/8	3/4
**(*)RC-EXA48J22	52	4	21 7/8	19 3/4	20 1/2	15 3/4	12 3/4	3/8	7/8	3/4
**(*)RC-EPA60J22	52	4	21 7/8	19 3/4	20 1/2	15 3/4	12 3/4	3/8	7/8	3/4
**(*)RC-EPA60N26	55	4	25 1/2	19 3/4	20 1/2	15 3/4	12 3/4	3/8	7/8	3/4
**(*)RC-EXA60N26	56	4	25 1/2	19 3/4	20 1/2	15 3/4	12 3/4	3/8	7/8	3/4

Suction line 1 5/8" ←, 10 5/8" ↑. Liquid line 1 5/8" ←, 9 3/8" ↑.

Primary drain 2 1/2" ← to center, secondary drain 1 5/8" ← to center.

UNIGUARD® by Virtus Precision Tube, 3/8" O.D. CU-422 copper alloy tubing.

2,490 PSI burst pressure minimum

Aluminum end plates to protect against rust corrosion

22 ga. G-90 paint grip metal drain pan, coated with a rust inhibitor and painted black

RC-EPA piston metered for R-22 application, RC-EXA equipped with R-22 heat pump TXV

Pre-swaged refrigerant connections, shipped with dry nitrogen holding charge

Five year replacement warranty

(*) Denotes overweight/oversize coil that must be shipped on a skid to a commercial location.

** Denotes physical dimension modification from original 2 row coils to 3 row coils, or 3 row coils to 4 row coils.

Telephone: (903) 881-6006

Fax: (903) 881-6008

email: sales@SustainableCoils.com

Sustainable Coils LLC

Replacement Coil Solutions!

EPA - EXA Replacement Coils Cross Reference 03/10/2021

Please contact the factory for current lead times. Some EPA-EXA replacement coils are a non-stock item and may require up to 10 business days to manufacture.

CROSS REFERENCE UTILIZATION CHART

OEM Model #	Sustainable Model #	Specified Metering
EPA24B15	**RC-EPA24B15	R-22 PISTON
EPA36B15	**RC-EPA36B15	R-22 PISTON
EPA36F19	**RC-EPA36F19	R-22 PISTON
EPA42F19	RC-EPA42F19	R-22 PISTON
EPA48F19	RC-EPA48F19	R-22 PISTON
EPA48J22	RC-EPA48J22	R-22 PISTON
EPA48L24	RC-EPA48L24	R-22 PISTON
EPA60J22	**RC-EPA60J22	R-22 PISTON
EPA60N26	**RC-EPA60N26	R-22 PISTON

OEM Model #	Sustainable Model #	Specified Metering
EXA24B15	RC-EXA24B15	R-22 HP-TXV
EXA36B15	RC-EXA36B15	R-22 HP-TXV
EXA36F19	RC-EXA36F19	R-22 HP-TXV
EXA48J22	RC-EXA48J22	R-22 HP-TXV
EXA60N26	**RC-EXA60N26	R-22 HP-TXV

OEM Model #	Sustainable Model #	Specified Metering
(N)FCP2400C/D	**RC-EPA24B15	R-22 PISTON
(N)FCP3000C/D	**RC-EPA36B15	R-22 PISTON
(N)FCP3600C/D	**RC-EPA36F19	R-22 PISTON
(N)FCP4200C/D	**RC-EPA42F19	R-22 PISTON
(N)FCP4800C/D	RC-EPA48J22	R-22 PISTON
(N)FCP6000C/D	**RC-EPA60N26	R-22 PISTON

OEM Model #	Sustainable Model #	Specified Metering
(N)FCX2400C	RC-EXA24B15	R-22 HP-TXV
(N)FCX3600C	RC-EXA36F19	R-22 HP-TXV
(N)FCX4800C	**RC-EXA60N26	R-22 HP-TXV
(N)FCX6000C	**RC-EXA60N26	R-22 HP-TXV

UNIGUARD® by Virtus Precision Tube, 3/8" O.D. CU-422 copper alloy tubing.

2,490 PSI burst pressure minimum

Aluminum end plates for rust reduction.

EPA coils are piston metered for R-22 applications, additional 410A pistons available.

EXA coils have R-22 expansion valves factory installed, 410A valves available upon request.

Drains, suction and liquid lines are positioned to original OEM specifications.

Pre-swaged suction and liquid lines, shipped with dry nitrogen holding charge.

Coils utilize a coated G-90 paint grip metal drain pan.

Coils carry a Five year replacement warranty.

Proudly manufactured and assembled in Lindale, Texas.

**Denotes models that have been modified (2 row to 3 row, 3 row to 4 row) to meet current production models and facilitate shipping.

Telephone: (903) 881-6006

Fax: (903) 881-6008

email: sales@SustainableCoils.com

Sustainable Coils LLC

Replacement Coil Solutions!

WALL MOUNT AIR HANDLER REPLACEMENT COILS

Revised 03/10/2021

Wall mount Fan Coil units are primarily designed for apartment applications as upflow indoor air handlers for split system heat pump and cooling only air conditioners.

For units that service both 1.5 and 2 ton applications, additional pistons are included for R-22 and R-410A in both tonnages.

First Company-Wall Mount Air Handler replacement coils:

OEM Model #	Sustainable Model #	Specified Metering
9-320-284P	RC-320-284P	Piston
9-320-285	RC-320-285	Piston

Goodman AWUF-Wall Mount Air Handler replacement coils:

OEM Model #	Sustainable Model #	Specified Metering
AWUF18XX16A	RC-AWUF1824	Piston
AWUF18XX16B	RC-AWUF1824	Piston
AWUF24XX16A	RC-AWUF1824	Piston
AWUF24XX16B	RC-AWUF1824	Piston

ICP FWM-Wall Mount Air Handler replacement coils:

OEM Model #	Sustainable Model #	Specified Metering
FWM1800A	RC-FF1-1824	Piston
FWM2400A	RC-FF1-1824	Piston
FWM3000A	RC-FF1-030	Piston

Telephone: (903) 881-6006

Fax: (903) 881-6008

email: sales@SustainableCoils.com

Sustainable Coils LLC

Replacement Coil Solutions!

Revised 03/10/2021

Carrier, Bryant, Payne FF1-Wall Mount Air Handler replacement coils:

OEM Model #	Sustainable Model #	Specified Metering
FF1ANA018	RC-FF1-1824	Piston
FF1ANA024	RC-FF1-1824	Piston
FF1ANA030	RC-FF1-030	Piston

OEM Model #	Sustainable Model #	Specified Metering
FF1BNA018	RC-FF1-1824	Piston
FF1BNA024	RC-FF1-1824	Piston
FF1BNA030	RC-FF1-030	Piston

OEM Model #	Sustainable Model #	Specified Metering
FF1CNA018	RC-FF1-1824	Piston
FF1CNA024	RC-FF1-1824	Piston
FF1CNA030	RC-FF1-030	Piston

OEM Model #	Sustainable Model #	Specified Metering
FF1DNA018	RC-FF1-1824	Piston
FF1DNA024	RC-FF1-1824	Piston
FF1DNA030	RC-FF1-030	Piston
FF1DNE018	RC-FF1-1824+2X	R-22 TXV
FF1DNE024	RC-FF1-1824+2X	R-22 TXV
FF1DNE030	RC-FF1-030+2X	R-22 TXV

OEM Model #	Sustainable Model #	Specified Metering
FF1ENE018	RC-FF1-1824+2X	R-22 TXV
FF1ENE024	RC-FF1-030+2X	R-22 TXV
FF1ENE030	RC-FF1-030+2X	R-22 TXV
FF1ENP018	RC-FF1-1824+4X	R-410A TXV
FF1ENP019	RC-FF1-1824+4X	R-410A TXV
FF1ENP024	RC-FF1-030+4X	R-410A TXV
FF1ENP025	RC-FF1-030+4X	R-410A TXV
FF1ENP030	RC-FF1-030+4X	R-410A TXV

Telephone: (903) 881-6006

Fax: (903) 881-6008

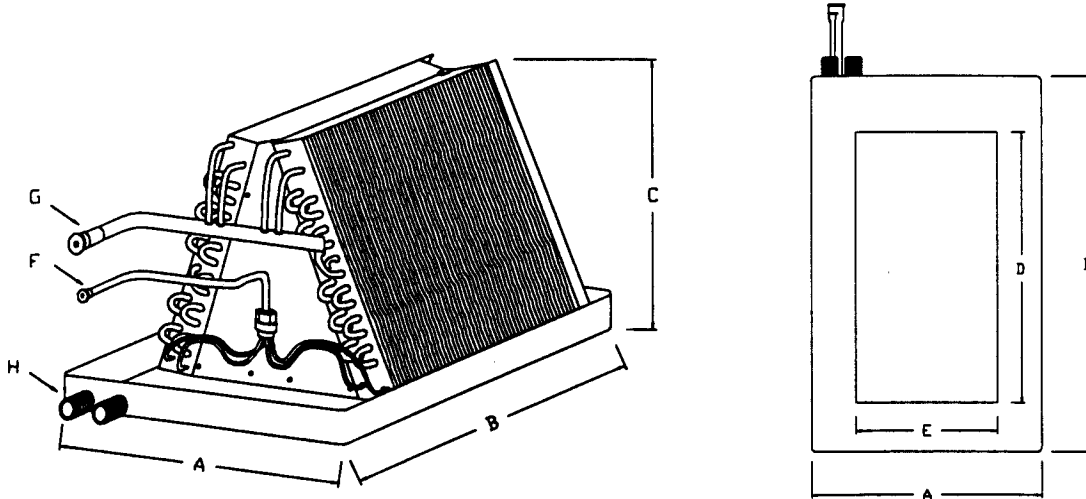
email: sales@SustainableCoils.com

Sustainable Coils LLC

Replacement Coil Solutions!

Nordyne Uncased replacement coil options:

Revision date: 03/10/2021



COIL MODEL	COIL WEIGHT	A	B	C	D	E	F	G	H
RC3BA-24U-A	23	12 3/4	19 1/2	12 1/2	15 1/2	5 1/2	3/8	3/4	3/4
RC3BA-36U-A	38	12 3/4	19 1/2	18 1/2	15 1/2	5 1/2	3/8	3/4	3/4
RC3BA-36U-B	39	18 1/8	19 1/2	18 1/2	15 1/2	10 7/8	3/8	3/4	3/4
RC3BA-48U-B	39	18 1/8	19 1/2	18 1/2	15 1/2	10 7/8	3/8	7/8	3/4
RC3BA-48U-C	40	21 1/16	19 1/2	18 1/2	15 1/2	13 13/16	3/8	7/8	3/4

*Denotes over size coil that must be shipped on a skid to a commercial location.

Suction line: ↑ 14 1/2", → 2 3/8" left side.

Liquid line: ↑ 12 1/8", → 1 3/8" left side.

Dual drains: Primary drain → 2" from left corner.

UNIGUARD® by Virtus Precision Tube, 3/8" O.D. CU-422 copper alloy tubing
2,490 PSI burst pressure minimum

Aluminum end plates to protect against rust corrosion

Enhanced aluminum fins spaced at 14 FPI

Piston metered for original R-22 applications, R-410A piston available upon request

R-22 and R-410A expansion valve kits available upon request

22 ga. G-90 paint grip metal drain pan coated for rust protection and painted

Pre-swaged refrigerant connections; shipped with dry nitrogen holding charge

Five year replacement warranty

Visit our website www.SustainableCoils.com for further information regarding our complete product line.

Telephone: (903) 881-6006

Fax: (903) 881-6008

email: sales@SustainableCoils.com

Sustainable Coils LLC

Replacement Coil Solutions!

**NORDYNE replacement coils for B3BM, GB3BM, B4VMX, B5BM, GB5BM Air Handlers:
03/10/2021**

We stock a limited number of Nordyne Air handler replacement coils for older models no longer in warranty. If used in a horizontal application, the original coil “kick stand” must be removed and applied to the new replacement coil.

Please note: due to the multiple uses of the coil model numbers in various tonnages and air handlers, it may be necessary to field install a supplied TXV kit or change a piston for a proper refrigerant match to the outdoor unit. Replacement coils may be ordered with the correct piston enclosed for easy change out or TXV factory installed.

NORDYNE CROSS REFERENCE UTILIZATION CHART

OEM Model #	Sustainable Model #	Specified Metering
B3BM-024K-A	RC3BA-24U-A	R-22 PISTON
B3BM-030K-A	RC3BA-36U-A	R-22 PISTON
B3BM-030K-B	RC3BA-36U-B	R-22 PISTON
B3BM-036K-B	RC3BA-36U-B	R-22 PISTON
B3BM-042K-B	RC3BA-48U-B	R-22 PISTON
B3BM-048K-B	RC3BA-48U-B	R-22 PISTON
B3BM-060K-C	RC3BA-48U-C	R-22 PISTON

OEM Model #	Sustainable Model #	Specified Metering
GB3BM-024K-A	RC3BA-24U-A	R-22 PISTON
GB3BM-030K-A	RC3BA-36U-A	R-22 PISTON
GB3BM-030K-B	RC3BA-36U-B	R-22 PISTON
GB3BM-036K-B	RC3BA-36U-B	R-22 PISTON
GB3BM-042K-B	RC3BA-48U-B	R-22 PISTON
GB3BM-048K-B	RC3BA-48U-B	R-22 PISTON
GB3BM-060K-C	RC3BA-48U-C	R-22 PISTON

OEM Model #	Sustainable Model #	Specified Metering
B4VM-X24K-A	RC3BA-36U-A+4X3	R-410A HP-TXV
B4VM-X24K-B	RC3BA-36U-B+4X3	R-410A HP-TXV
B4VM-X30K-A	RC3BA-36U-A+4X3	R-410A HP-TXV
B4MV-X30K-B	RC3BA-36U-B+4X3	R-410A HP-TXV
B4MV-X36K-B	No replacement option	N/A
B4MV-X48K-B	No replacement option	N/A
B4VM-X48K-C	No replacement option	N/A
B4VM-X60K-C	No replacement option	N/A

NORDYNE Air Handler replacement coils:

03/10/2021

Page 2

OEM Model #	Sustainable Model #	Specified Metering
B5BM-024K-A	RC3BA-36U-A	R-22 PISTON
B5BM-024K-B	RC3BA-36U-B	R-22 PISTON
B5BM-025K-A	RC3BA-36U-A	R-22 PISTON
B5BM-025K-B	RC3BA-36U-B	R-22 PISTON
B5BM-030K-A	RC3BA-36U-A	R-22 PISTON
B5BM-030K-B	RC3BA-36U-B	R-22 PISTON
B5BM-036K-A	RC3BA-36U-A	R-22 PISTON
B5BM-036K-B	RC3BA-36U-B	R-22 PISTON
B5BM-037K-B	No replacement option	N/A
B5BM-042K-B	No replacement option	N/A
B5BM-048K-B	No replacement option	N/A
B5BM-048K-C	No replacement option	N/A
B5BM-049K-C	No replacement option	N/A
B5BM-060K-C	No replacement option	N/A

OEM Model #	Sustainable Model #	Specified Metering
GB5BM-024K-A	RC3BA-36U-A	R-22 OR R-410A
GB5BM-024K-B	RC3BA-36U-B	R-22 OR R-410A
GB5BM-030K-A	RC3BA-36U-A	R-22 OR R-410A
GB5BM-030K-B	RC3BA-36U-B	R-22 OR R-410A
GB5BM-036K-B	RC3BA-36U-B	R-22 OR R-410A
GB5BM-042K-B	No replacement option	N/A
GB5BM-048K-C	No replacement option	N/A
GB5BM-060K-C	No replacement option	N/A

UNIGUARD® by Virtus Precision Tube, 3/8" O.D. CU-422 copper alloy tubing.

2,490 PSI burst pressure minimum.

Aluminum end plates for rust reduction.

Enhanced louvered fins spaced at 14 FPI.

Piston models metered for R-22, R-410A available upon request.

Factory installed heat pump expansion valves available upon request.

Expansion valve kits with chatleff fittings available upon request.

Suction and liquid lines positioned to access panel locations.

Pre-swaged suction and liquid lines, shipped with dry nitrogen holding charge.

Coils utilize a coated G-90 paint grip metal drain pan.

Drains positioned to match access panel.

Proper internal refrigerant volumes maintained for heat pump compatibility.

Coils carry a Five year replacement warranty.

Proudly manufactured and assembled in Lindale, Texas.

Telephone: (903) 881-6006

Fax: (903) 881-6008

email: sales@SustainableCoils.com

Sustainable Coils LLC

Replacement Coil Solutions!

Expansion Valves:

We utilize Parker HCAE adjustable charge expansion valves equipped with chatleff fittings. Factory super heat preset 6°- 8°.

All expansion valves are Heat Pump compatible.

TXV PART #	REFRIGERANT	TONNAGE
2XHP-2/3	R-22	1.5 - 3
2XHP-4/5	R-22	3.5 - 5
4XHP-2/4	R-410A	1.5 - 4
4XHP-4/5	R-410A	4 - 5

Stock coils piston utilization charts:

TONNAGE	REFRIGERANT	PISTON
1.5	R-22	.055
2	R-22	.059
2.5	R-22	.067
3	R-22	.073
3.5	R-22	.080
4	R-22	.084
5	R-22	.093

TONNAGE	REFRIGERANT	PISTON
1.5	R-410A	.051
2	R-410A	.055
2.5	R-410A	.059
3	R-410A	.067
3.5	R-410A	.076
4	R-410A	.080
5	R-410A	.086

Telephone: (903) 881-6006

Fax: (903) 881-6008

email: sales@SustainableCoils.com

Sustainable Coils LLC

Replacement Coil Solutions!

AHRI formula for calculating the Internal Refrigerant Volume (IRV) of a coil

$$((\text{SlabFinnedLength} * \text{NumberOfTubes} * (((\text{EvapOD} - (2.00 * \text{WallThickness})) / 2.00)^2 * 3.14)) + \text{ChargeCompensator})$$

Determine the IRV of an A-coil that is 3/8" OD rifled copper, 0.012 WT, 3 rows, 24 tubes high and 16" finned length

Step 1: determine the wall thickness and multiply by 2.00

$$\text{Example: } 0.012 \times 2 = 0.024$$

Step 2: subtract step 1 answer from tubing OD

$$\text{Example: } 0.375 - 0.024 = 0.351$$

Step 3: divide step 2 answer by 2.00

$$\text{Example: } 0.351 / 2 = 0.1755$$

Step 4: square the step 3 answer

$$\text{Example: } 0.1755 \times 0.1755 = 0.0308$$

Step 5: multiply step 4 answer by 3.14

$$\text{Example: } 0.0308 \times 3.14 = .096761839$$

Step 6: multiply the slab finned length times the number of tubes in the coil

Example: A-coil that is 3 rows, 16" fin length, 24 tubes tall

3 rows x 2 (2 slabs make up the A-coil) = 6 rows x 24 tubes high = 144 total tubes

144 total tubes x 16" fin length = 2,304 linear inches

Step 7: multiply the total linear inches times step 5 answer

$$\text{Example: } 2,304 \times .09676 = 222.9393 \text{ Cu. In. of volume}$$

Step 8: If your coil has a charge accumulator, add volume to coil volume for total IRV.

To make it easier for you, we have run the calculations for the most popular tube specifications.

3/8" OD copper, .012 backwall thickness .0967618

3/8" OD aluminum, .029 backwall thickness .0789239

To determine the IRV in an aluminum N-coil, measure the fin length of each slab.

Determine the number of tubes per slab and multiply by 3, or the number of slabs.

Multiply the total linear inches of tubing X .0789239 to determine the IRV.

Match the IRV from the old aluminum coil to our IRV for the proper heat pump replacement.

For best results keep the IRV from 95% to 105% of the system coil to be replaced.