



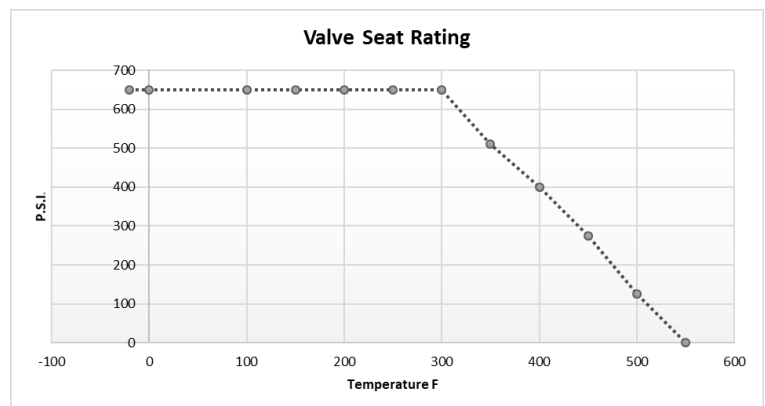
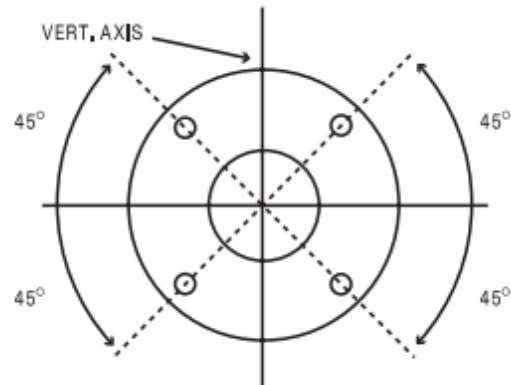
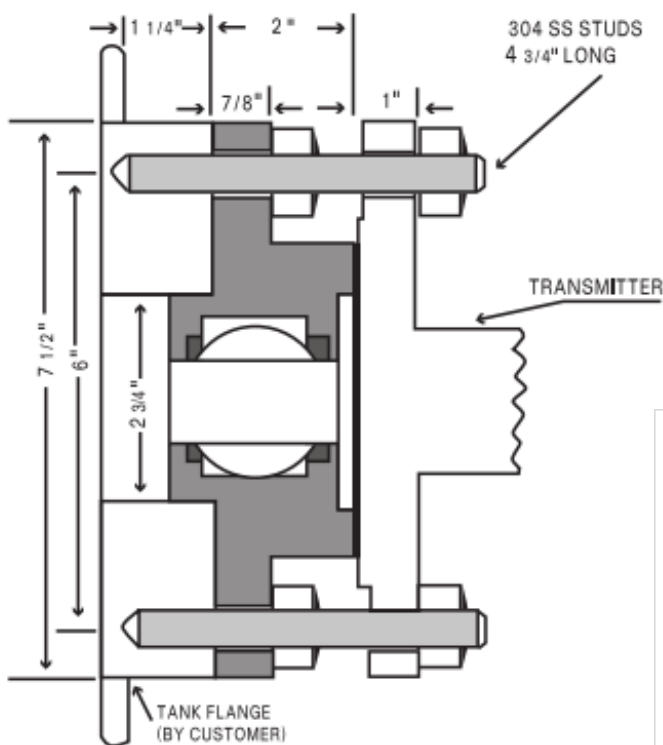
**TRANS-VALVE**  
—SPECIALTY VALVES FOR INDUSTRY—

## Figure 115 BD Transmitter Isolation Ball Valve

### Fig. 115 BD Technical and Dimensional Data :

*Fig. 115 BD has a stud bolt orientation designed for ANSI 150 # 4 bolt flange pattern.*

- Valve pressure rated to 275 PSI
- Valve seats are 50% SS and 50% TFE and designed for momentary, intermittent purge with steam rated at 250 SWP and are temperature rated -20 degrees F to 550 degrees F

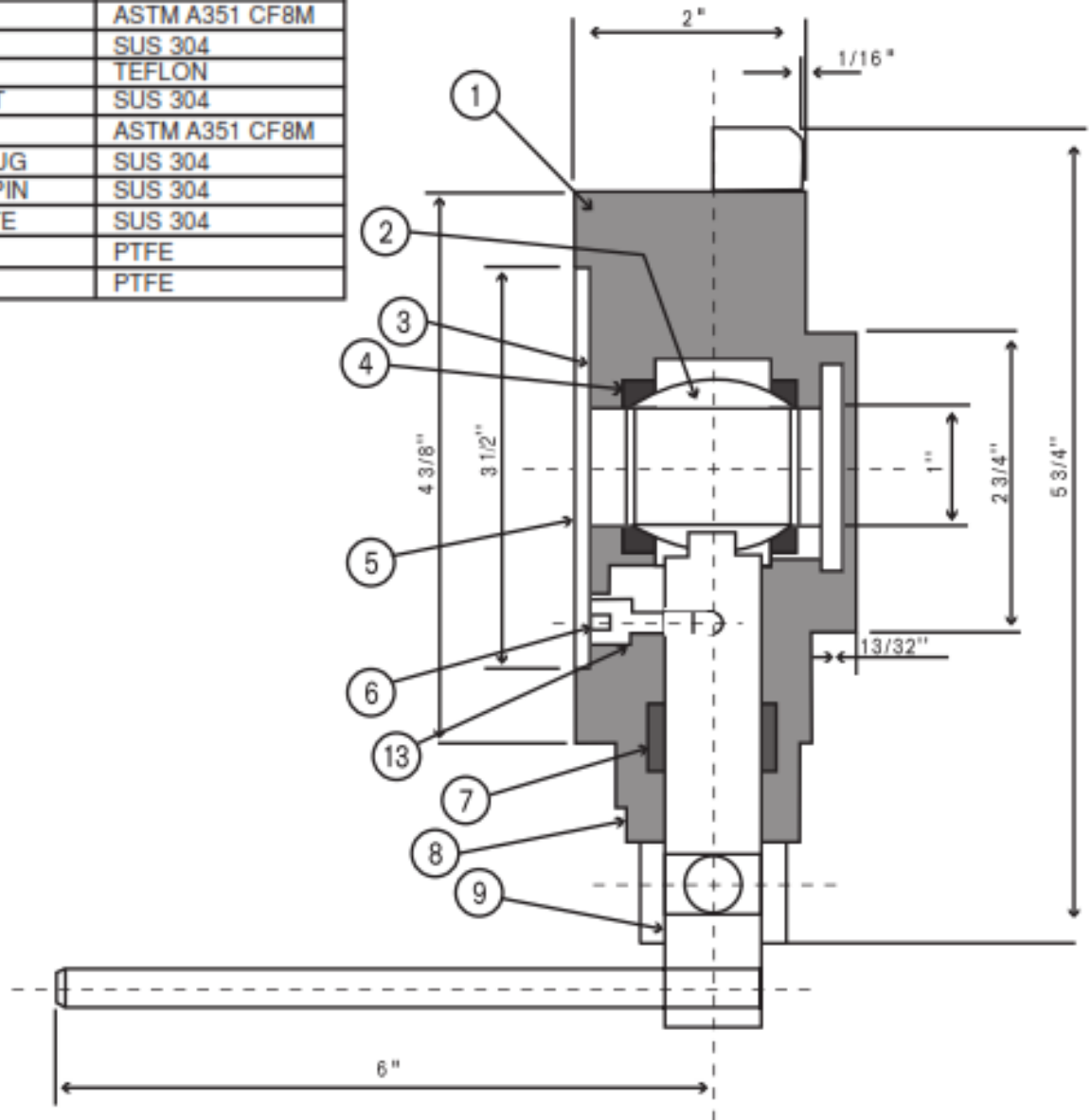




**TRANS-VALVE**  
—SPECIALTY VALVES FOR INDUSTRY—

**Figure 115 BD**  
**Transmitter Isolation**  
**Ball Valve**

| ITEM | DESCRIPTION     | MATERIAL       |
|------|-----------------|----------------|
| 1    | BODY            | ASTM A351 CF8M |
| 2    | BALL            | ASTM A351 CF8M |
| 3    | RETAINER GASKET | TEFLON         |
| 4    | SEAT            | RTFE           |
| 5    | RETAINER        | ASTM A351 CF8M |
| 6    | STOP PIN        | SUS 304        |
| 7    | PACKING         | TEFLON         |
| 8    | GLAND NUT       | SUS 304        |
| 9    | STEM            | ASTM A351 CF8M |
| 10   | 1/4 NPT PLUG    | SUS 304        |
| 11   | LOCKOUT PIN     | SUS 304        |
| 12   | NAME PLATE      | SUS 304        |
| 13   | SEAL            | PTFE           |
| 14   | SEAL            | PTFE           |





**TRANS-VALVE**  
—SPECIALTY VALVES FOR INDUSTRY—

**Figure 115 BD**  
**Transmitter Isolation**  
**Ball Valve**

