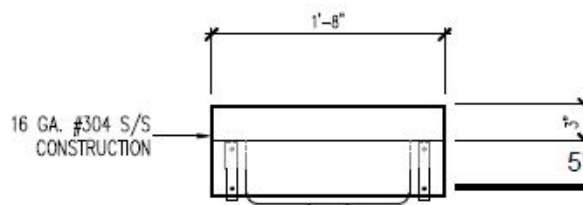
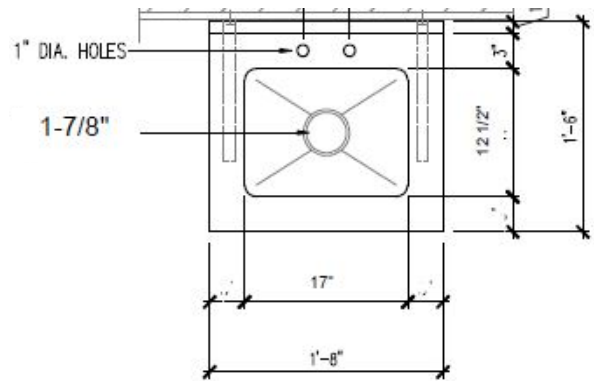
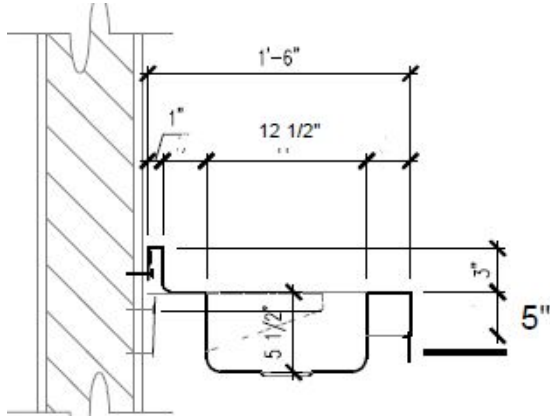


WICKETTS STAINLESS SPECIFICATION

W-2018-ADA
LAVATORY



Model Number	A	B
W-2018-1-ADA	20	18

Engineering Specification: 16 gauge, type 304 stainless steel single wash sink. Exposed surfaces polished to a satin finish. Supported on (2) wall brackets and clips.

Wicketts Stainless, LLC
2618 San Miguel Dr. Bldg.#376
Newport Beach, CA 92660
Tel. 951-858-2548
Fax.951-638-9059
www.wickettsstainless.com
sales@wickettsstainless.com



WARNING:
This product can expose you to chemicals, which are known to the State of California to cause cancer. For more information, visit www.P65Warnings.ca.gov.

Approved for Manufacturing
Company: _____
Signature: _____
Print: _____ Date: ____/____/____