

- SOLAR MODULE CONSTRUCTED OF GLASS, DO NOT PLACE DIRECTLY ONTO GROUND.
- HANDLE WITH CARE, COATING IS A LONG LASTING FINISH, HOWEVER SCRATCHES OR DAMAGE TO POWDER COAT WILL AFFECT PRODUCT APPEARANCE AND DURABILITY.
- USE CAUTION WHEN HANDLING 12V 16AH BATTERY TO AVOID SHORT CIRCUITING THE TERMINALS.
- INSTALL LIGHT IN AREA WITH UNOBSTRUCTED SUN EXPOSURE

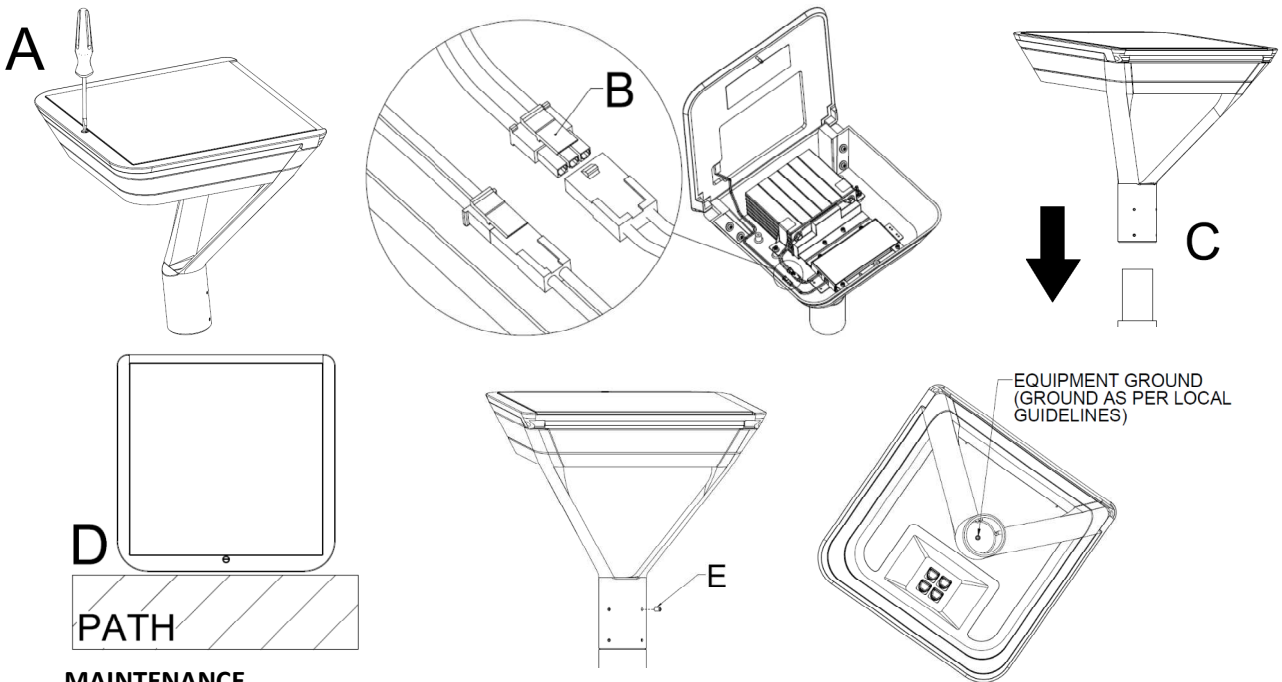


IMPORTANT: PLEASE FOLLOW INSTRUCTIONS PRIOR TO INSTALLING IPL SERIES LIGHT

TOOLS REQUIRED: -FLAT HEAD SCREWDRIVER -1/8 INCH ALLEN KEY

INSTALLATION PROCEDURES:

1. Place light onto cardboard.
2. Using flat head screwdriver, loosen fastener next to solar module (A), and open lid.
3. Remove packaging material from the interior of the light.
4. Connect the battery harness as shown (B), light will turn on and begin 1 minute start up sequence.
(Note: After 1 minute, if the panel is covered, the light will turn on)
5. Close lid and tighten fastener with Flat Head screwdriver.
6. Install light onto pole (C) with unobstructed sun exposure and orient to path as pictured (D).
7. Tighten 4 set screws with 1/8 INCH allen key (E).
8. Installation is complete.



MAINTENANCE

- If panel becomes soiled, clean with a soft damp cloth to maintain optimal performance.
- Do not use any abrasive materials or detergents.

TROUBLESHOOTING

Light does not turn on when battery is connected:

- Check the battery harness polarity.
- If harness is connected correctly, measure battery voltage and contact customer service.

The light flashes when battery is connected:

- Battery state of charge is lower than optimal state, install and the product should charge the battery. Monitor for correct operation. If complications persist, please contact customer service.