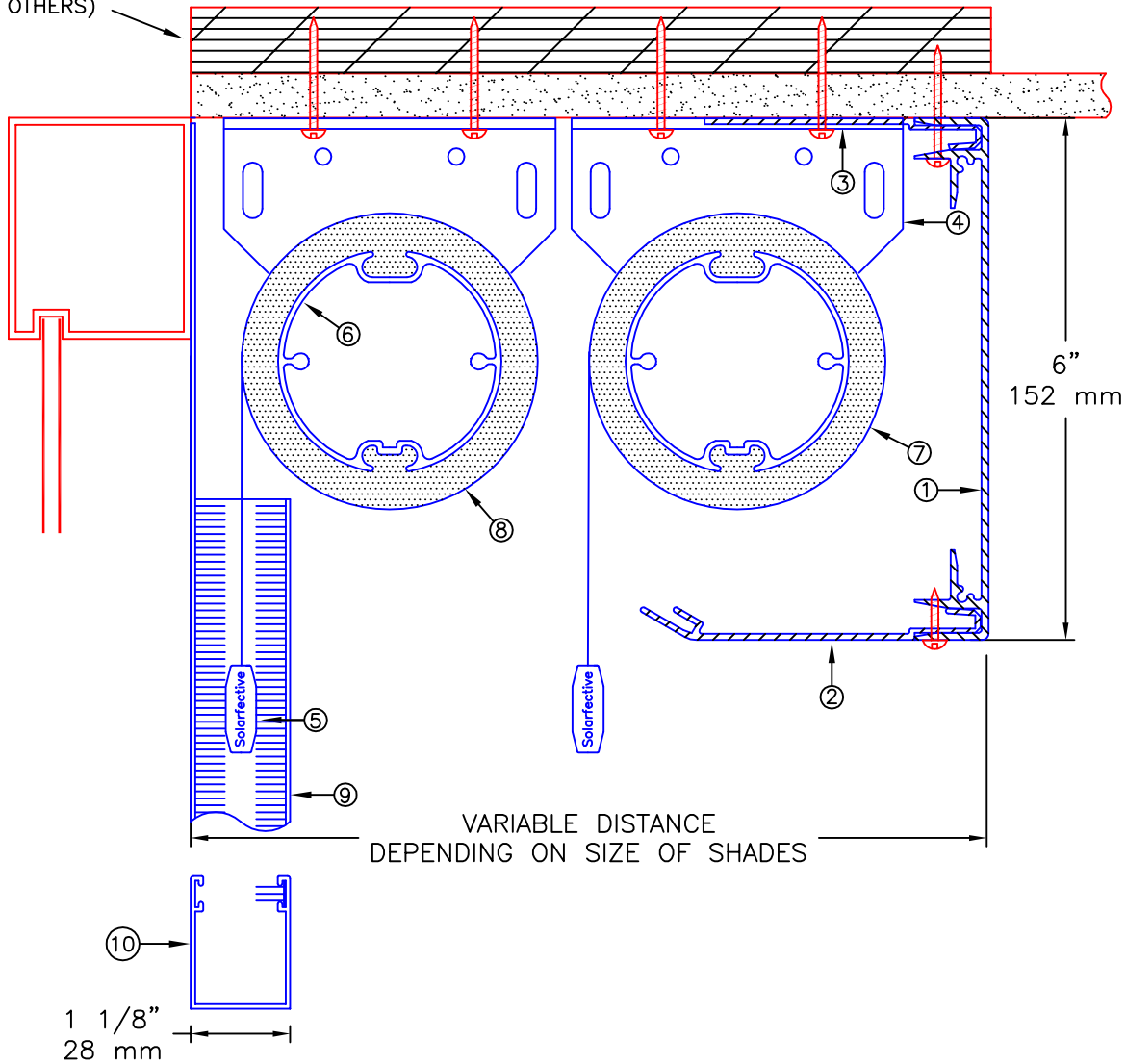


3/4" PLYWOOD
BLOCKING
(BY OTHERS)



NOTES:

1. EXTRUDED ALUMINUM 6" FASCIA
2. 4" EXTRUDED ALUMINUM CLOSURE
3. MOUNTING ANGLE
4. END BRACKET
5. EXTRUDED ALUMINUM EXTERIOR HEMBAR
6. 2 1/2" Ø EXTRUDED ALUMINUM TUBE
7. FABRIC: 1%, 3%, 5%, 10% OPENNESS OR BLACKOUT
8. FABRIC: 1%, 3%, 5%, 10% OPENNESS OR BLACKOUT
9. MOTORIZED BLACKOUT SIDE CHANNEL
10. MANUAL BLACKOUT BOTTOM CHANNEL

**** NOTE ****

JUNCTION BOX TO BE LOCATED WITHIN 3 FT OF MOTOR LOCATION. MOTOR LOCATION TO BE DETERMINED WITH SOLARFECTIVE REPRESENTATIVE.

Solarfective

55 Hymus Road, Scarborough
Ontario, Canada. M1L 2C6

Tel. (416) 421-3800
Fax. (416) 421-8424

Web Site: www.solarfective.com
Email: shades@solarfective.com

DOUBLE MOTORIZED WITH 6" FASCIA
SIDE AND BOTTOM CHANNELS

PROJECT: -

DATE:
JAN. 01, 2015

SCALE:
N.T.S.

FILE No.
-

DRAWN:
ADIE

DWG. No.
RD-15

REV
0