

SMART SECURITY SYSTEM FOR INVASION DETECTION

Annapurna Kattimani¹, B.L.Pooja², Harshita Kanamadi³, Raksha Nidavani⁴, Vishwanath.P.Baligar⁵

School of Computer Science and Engineering
KLE Technological University, Hubballi, India

¹anukattimani@gmail.com, ²blpooja95@gmail.com, ³kanamadiharshita@gmail.com, ⁴rakshadnidavani@gmail.com,

⁵vpbaligar@kletech.ac.in

Abstract- Internet of Things formulizes the idea of remotely connecting to real world objects via internet. Considering our home, IoT enabled with smart security system provides the security to home and also a facility to the user where one can persistently monitor the surrounding criterion (activities) outside the house. This notion makes incorporated to be smarter, safer and automated. Now a day whenever the house is locked, the number of burglary has been increased tremendously. The proposed system centers on building a smart wireless home security which triggers an alert (email) to the respective owner by using internet incase of any invasion happened around the house. The project blends in the power of ESP8266 Wi-Fi module, PIR sensor and ISD1820 Voice module. The resistance obtained by preferring this system over similar existing system is that an Email alert with Date and time is delivered to the registered email address of a respective owner through the web based service If This Then That (IFTTT) website. Later, user can record his own audio clip via voice module which will be played when a movement is detected by stating the intrusion. At the end, the system provides a fully functional security system which can be armed/disarmed (activated/deactivated) remotely via internet.

Keywords -- Home security system, Wi-Fi, PIR sensor, IFTTT, voice module.

I. INTRODUCTION

IoT or Internet Things is the system that describes the idea of interconnected physical objects which looks like network which helps in communicating and exchanging of data among themselves without the need of any human and computer involvement. IoT devices such as wireless sensors, software's and hardware devices and also computing devices play a major role in Internet of Thing. With the help of IoT devices one can exchange information through internet. Humans can access this information anywhere and everywhere.

Internet Of Things is defined as an "Framework of Knowledge Association", because IoT helps to collect messages from humans, animals, vehicles, kitchen appliances by assigning unique IDs. IoT field is an ever-growing connectivity of real world things which are embedded with a feature of IP address used for establishment of internet connection and also used for

communication between the real world things and other Internet-facilitated system organization.

IoT helps in "Extending Internet Connectivity" because the network of internet extends connectivity of internet beyond popular gadgets like PC, computers, and mobile to a wide variety of gadgets. IoT helps to interact with the external environment. with help of internet which can be saved and later on used by computers.

The term IoT was termed by Kevin Ashton of Procter & Gamble, later MIT's Auto-ID Center in 1999, identified that Radio-frequency (RFID) as a major essential thing for the IoT(Internet of things) which allows computers to monitor and control the individual things. The conception of a network of smart gadgets was Coke vending machine which became the first Internet-connected device, able to address and whether new loaded drinks were cold or not.

In general when we speak on house automation, the important factor to consider is the Security of Home. House surveillance plays an important character in day today life and may be the most crucial one. A home automation system will control lights, climatic condition and appliances. It may also include home security such as access control and alarm systems. The user interface for control of system uses gadgets such as tablets, smart-phones or Web-interface, that is accessible for human's offsite through internet.

Home surveillance has made a undergone huge change in past few years and is yet getting more advanced day by day in the coming future days. In past home security systems would not be so secure; the intruder would break the alarm and destroy the security system. This paper aims at overcomes the problem by sending a notification in the form of message or email to the registered owners mobile number or email whenever the intrusion occurs.

We have registered email of owner through IFTTT free web base service. So when an intrusion is detected an email is sent saying an intrusion has been detected with particular date and time. Owner will also have an opportunity of activating or deactivating the alarm using designed user interface. This will help the people or users to protect their homes by just placing the alarm at the doorstep and monitoring the activity through the user interface designed.

II. LITERATURE SURVEY

A smart security system for invasion detection can be performed using different techniques and methods where security is becoming major issue everywhere.

Chumming Rong [1]: Home security system should adhere with the household standards and convenience of adaptation. On recognition of voice commands, the automation centre use low-power and relatively cheap wireless communication modules. The author explained how we can control electrical appliances in home or office using voice commands.

Xin Hong [2]: The implementation of the home automation can be performed using internet of things and wireless sensor networks. The author introduces an inner sensor alarm through which alarm messages are sent along with the evidence material. The application has gradations which are used for creating data, collecting data and analyzing that collected data. The alarm messages are checked by user.

Mansour.H.Assaf [3]: The author discusses the development of home monitoring and security that works where the traditional security systems are concerned about burglary alarm. According to author additional feature that enhances the security is its capabilities of monitoring doors and windows so that an alert note is sent to the registered person instantly.

G Rakesh Reddy[4]: Nowadays as the possibilities of intrusion is going higher and higher so home security is very important. Here the author proposed system which will report the house owner by ringing alarm and text message has been sent for fire or gas leakage safety system which alerts the owner by ringing alarm also by sending a message .

III. PROPOSED WORK

Before implementation of the system, it requires to be explored for its flaws. A blueprint design of complete system comes into mind for explore the flaws. The proposed work should be easy enough for a amateur to understand and detailed enough to describe all the working modules of the system.

The proposed system shown in the Figure 1 comprises of PIR sensor values that are read from PIR module which senses the motion of the human beings. It calculates the distance of person from the sensor, if the distance within the range, notification is sent to the registered mail address through ESP8266 WIFI Module. The WIFI module is used to send the email notification saying the intrusion has been detected at particular date and time. By notification, Owner comes to know that the intrusion has been detected and can take prevention measures. This email registration is done using IFTTT website, which is a free web base service. In IFTTT we created an applet using Gmail, which sends the notification to owner. When the intrusion has detected, alert

sound is given through the voice module. Through the voice module we can record our own voice and play it when the intrusion has been detected. This system can be controlled and monitored using a user interface through which owner can activate or deactivate the system.

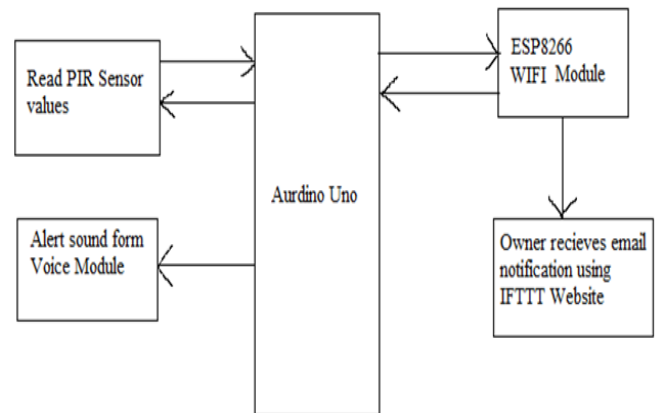


Figure 1: Description of Proposed system

IV. METHODOLOGY

A. Components Required

- 1) ESP8266 Wi-Fi module
- 2) Passive Infrared sensor
- 3) ISD1820 voice module
- 4) LM317, LM7805 – voltage regulators
- 5) BC547 (2 Nos) – transistor
- 6) 1K, 200ohm, 330ohm registers
- 7) 10uf and 0.1uf capacitors
- 8) 12V adapter / 9V battery for power setup

B. Module Description

1) ESP8266 Wi-Fi

The ESP8266 Wi-Fi module is a low cost microchip with the TCP/IP protocol stack which provides any microcontroller access to Wi-Fi network. The ESP8266 is efficient of either hosting an application or discharging all Wi-Fi networking functions from another application processor. Each module of ESP8266 is preprogrammed with AT command set firmware, i.e. to hook this up to the arduino device and get information about as much Wi-Fi ability as a Wi-Fi shield offers. The Wi-Fi module is an cost effective board with a huge and ever growing company.

2) Passive Infrared Sensor

Pyroelectric crystal or Passive Infrared Sensor (PIR) is an low cost electronic device which is outlined to find the IR wavelength when a human being is in its contiguity. In order to have a board range for detecting, a simple lens is used. The two important materials exist in the sensor, one is the pyroelectric which can detect the heat signature from a living organism (humans/animals) and other is the Fresnel

lens which it widens the range of the sensor. And these sensors can also be serialized.

3) ISD1820 voice module

The Voice record module is known as ISD1820 which is a multiple-message, record/playback device. Recordings are stored on a single-chip voice recording, non-volatile memory, also providing zero-power message storage. It has a playback capacity for 8 to 20 seconds with the embedded flash memory employed. This module is used efficiently in which we can control directly by push button on board or by microcontroller like arduino, STM32, etc. Hence module can be easily control record, playback and repeat button and so on.

C. IFTTT Website

IFTTT stands for IF This Then That is a free web based service to create a chain of simple applets. An applet such as Gmail, is used to send an email alert for the registered user via this website. An API is created (Application Program Interface) so that whenever intrusion is detected, an email is sent to registered mail id in which ESP8266 WIFI module helps to send an email notification to the user.

Steps to send email notification through IFTTT Website:

1. We create an account in IFTTT.com website (Figure 2). Go for Maker Web Hooks and click on connect.

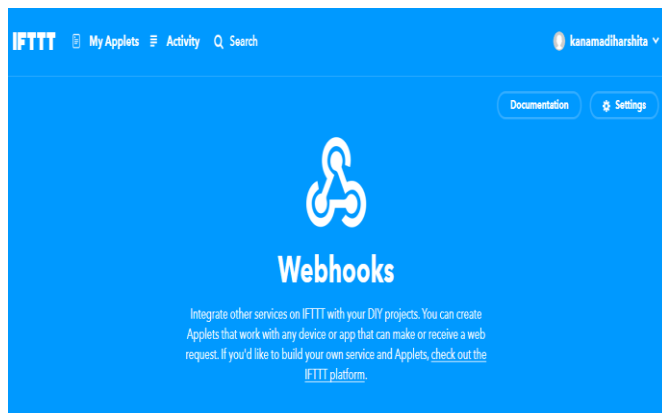


Figure 2: Creation of account

2. Now search for "Gmail" and click on connect. This Gmail is used to send the notification to registered email Id if any intrusion is detected.

3. We create an Applet by clicking on My Applet->New Applet. An event named is created as 'prh' (Figure 3a) to get an email notification from registered email Id (Figure 3b).

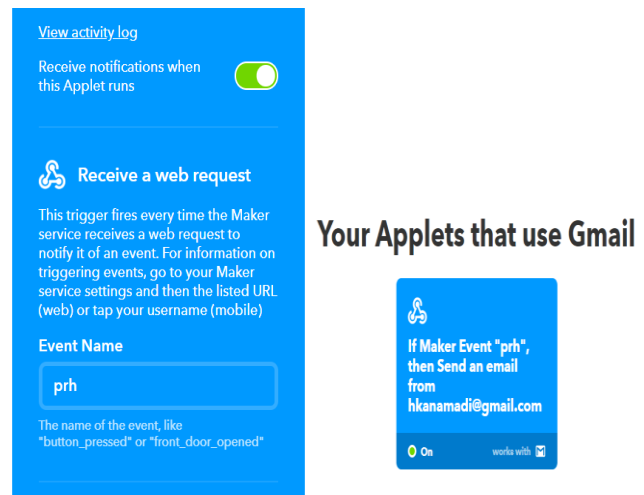


Figure 3(a) and 3(b): Creation of event name

4. With the event name, we add the email address (Figure 4a) to register and receive an email notification. Then in order to receive an email, we add Subject name "An Invasion Detected with 'date' and 'time' " (Figure 4b) at which the invasion has been detected.

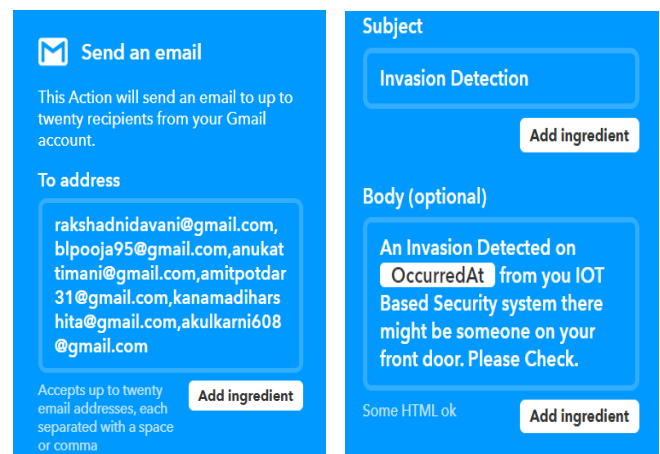


Figure 4(a) and 4(b): Email registration and subject creation

V. DEVELOPMENT

The subchapter provides brief explanation on the description of the proposed system and detailed workflow.

A. Development Process

1) ESP8266 Wi-Fi

Wi-fi module can give access to our Wi-Fi network (Figure 5). In order to function as a standalone application, module provides unsurpassed ability with lowest cost. For our security application, to send a mail alert to the owner, the WIFI- network is very necessary and can be done easily.



Figure 5: ESP8266 Wi-Fi []

2) *Passive Infrared sensor*

PIR is used to detect the existence of the living things like human or animal.

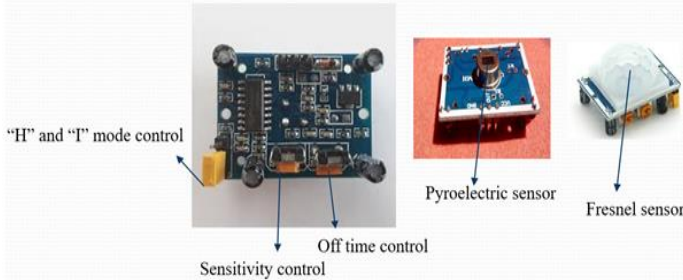


Figure 6: PIR sensor

On time of the sensor (Figure 6), two potentiometers (orange color) control the sensitivity and triggers. Sensor has a trigger pin setup, used to push the module to work in two different modes. One mode is "H" and another one is "I".

Time is set by potentiometer. In "H" mode, when human is detected the output pin will go high within range and after some time it goes low. In "I" mode, when human is detected the output pin will go high as long as human stays within the limit of the sensors range. The range goes down when the human has left that area (which can be set by potentiometer).

Based on the PIR sensor the position of potentiometer or pins varies.

3) *ISD1820 Voice Module*

The voice module plays an important role in the security system. The module comes with speaker and microphone. The module has capacity to record the voice about 10 seconds.



Figure 7: Voice module

The module has three buttons in order to record and play the voice: they are rec, playE, playL button as shown in Figure 7. By pressing rec. button, we can record our voice and it can be played with the help of playE button. As elongate as we hold the button the playL will play voice. Using GPIO 0

pin of Wi-Fi module (ESP8266). We are controlling the playE pin in our project. So, when any intruder is detected we can play the recorded voice.

4) *Circuit diagram*

The circuit diagram makes us to understand the working of the application very easily.

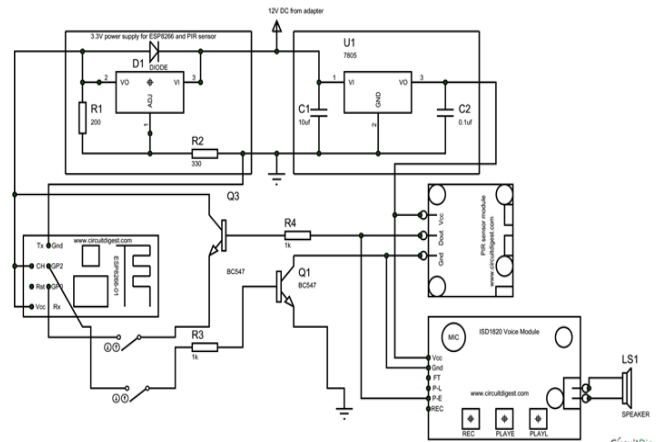


Figure 8: circuit design

- The circuit consists of two voltage regulators i.e., 3.3v and 5v which are designed using LM317 and 7805 regulator IC.
- By using the resistors 200ohm and 300ohm the variable voltage regulator i.e., LM317 output is set to 3.3v.
- A 12v adapter is used to power both regulators.
- A 9v battery can be used in place of 12 v adapter as the power consumption of this circuit is minimum.
- By making the GPIO 2 pin high, the PIR sensor and voice module are turned on. Through a 1k current limiting resistor, this pin will drive the BC547 and completes power circuit for both modules.
- The pin GPIO_0 is accustomed an input pin. Through BC547 transistor pin, it is connected to the Dout pin of PIR sensor.
- We will trigger an e-mail when this pin goes high stating the intrusion through our Arduino program.
- For our project we used a transistor to drive output pins (Dout, GPIO_2 and GPIO2) because the source current of the output pins pins is very less.
- When the module is powered on the GPIO pins of the ESP8266 must not be loaded because the module will enter in to infinite loop.
- In order to avoid this, while powering up we placed two switches to temporarily disconnect them.

B. *Smart security system*

The smart security system uses the PIR motion sensor which is installed at the main door of the home. As discussed earlier, these sensors sense the motion of the human beings and their presence becomes an input sound for the module. The two activities are performed together in which, one is the email alert and other is audio record played via voice module. i.e. When the owner (user) who may or may not be available in the home, will be receiving an alert on his E-

mail address (whose E-mail is registered in IFTTT website) stating that ‘ An Invasion Detected on ‘date’ at ‘time’ there might be someone on your front door. Please check’. Simultaneously there will be an audio alert raised by the owner (user) via voice module, stating that ‘ALERT! ALERT!’. Moreover if the owner knows his home is not safe, he can inform the concerned person in police department, by explaining his situation as he got an alert message via mail. Hence this process continues as the module detects any intruder in front of the home. At the end, the complete system provides a fully functional security system in which owner can Arm/Disarm (Activate/Deactivate) the system via internet.

helps to load the webpage created to Arm/Disarm the security system as shown in Figure 10.

Once the configuration is completed, the system is paced according to user’s requirement. When anyone passes that place and falls within the range of PIR sensor, a voice alert will be triggered and an Email is delivered (Figure 11) to the registered mail ID with date and time he/she crossed.

VI. FLOW CHART

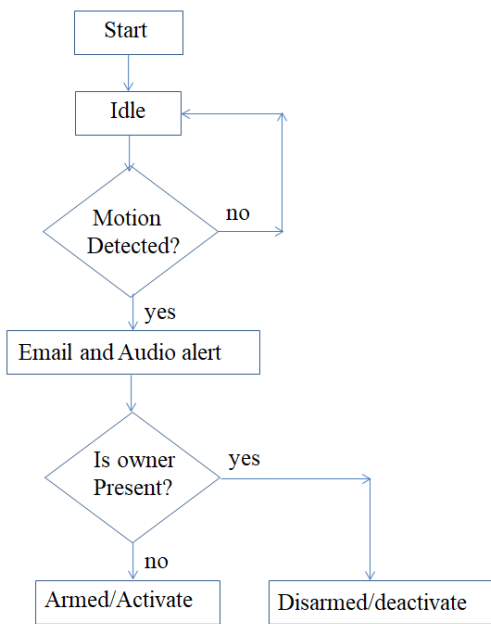


Figure 9: Flow diagram for Invasion detection

VII. RESULT ANALYSIS

User interface created in order to control and monitor the system by two buttons, arm-activate and disarm-deactivate which is an alert system.

IOT based security System

Alarm Status:

Click on ARM to enable the security system

Figure 10: Alert system

Once the hardware code is completed, the program is uploaded to ESP8266 Wifi module using Arduino IDE. After uploading click on serial monitor to get the IP address which is allocated to the ESP8266 Wifi module. This IP address

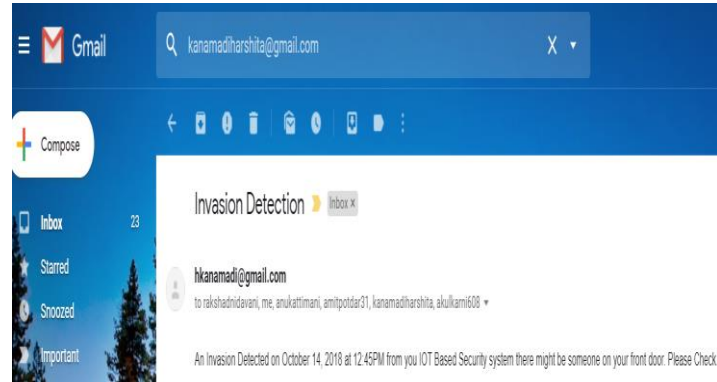


Figure 11: Email Alert for Invasion detection

VIII.CONCLUSION AND FUTURE SCOPE

A. Conclusion

The eventual aim of the paper was to develop a home security system using ISD1280 voice module and PIR sensor. So, it helps the people feel safe about their house irrespective of whether they are away from or in the house. Also the complete cost is efficient and can be easily operated. Even our house will go through its own transformation towards the smart security homes that will be in constant interaction in an effort for better energy management and home automation to make sure comfort, privacy and security.

B. Future Scope

As the proposed system is purely dependent on the user’s judgement and caution of situation (whether it is a guest or an intruder entering the home), instead of the audio alert, the use of the camera attached with the microcontroller might help the owner in taking decisions whether to arm/disarm the system. Further the system can be co-occurred by integrating the feature of voice call in smart phones where the user can control the system.

REFERENCES

[1] Chumming Rong , Internet of things: ubiquitous home control and monitoring system using android based smart phone. International Journal of Internet of Things, 2(1), 5-11.
 [2] Xin Hong et al., "Research of intelligent home security surveillance system based on zigbee." International symposium on intelligent information technology application workshops. IEEE, 2008.
 [3] Mansour H.Assaf, et al., "Sensor based home automation and security system." Instrumentation and Measurement Technology Conference (I2MTC), 2012 IEEE International. IEEE, 2012.

- [4] G. Rakesh Reddy , "Design and implementation of Security system for smart home." Algorithms, Methodology, Models and Applications in Emerging Technologies (ICAMMAET), 2017 International Conference on. IEEE, 2017.