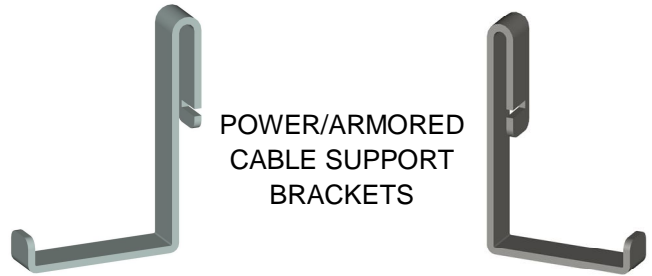


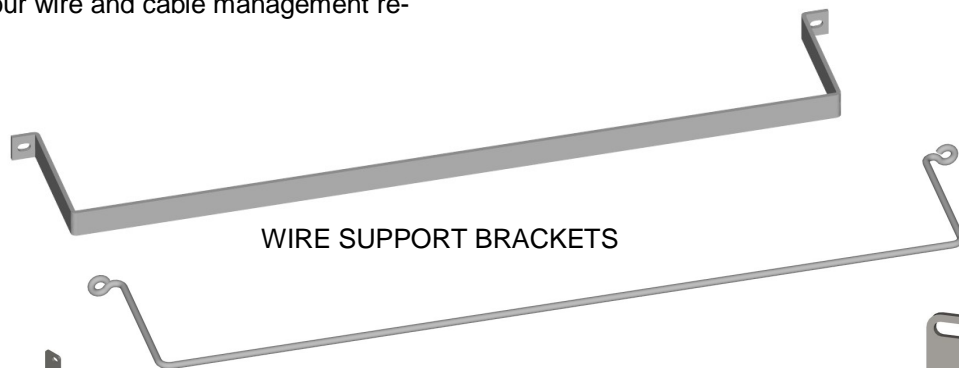
WIRE AND CABLE MANAGEMENT

Wire and Cable Management Solutions

A variety of items are available for managing and organizing wire and cable in common systems and cabinet environments. From cable rack, auxiliary framing to network and cabinet environments, we offer solutions for handling wire and cable routing. We can also provide custom solutions as required. If you don't see what you are looking for, please call and we will gladly work with you to produce a solution to your wire and cable management requirements.



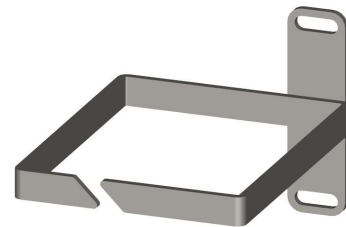
POWER/ARMORED
CABLE SUPPORT
BRACKETS



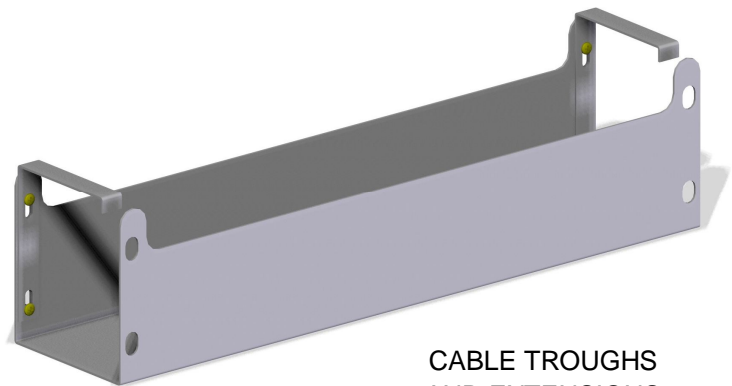
WIRE SUPPORT BRACKETS



"TOWEL BAR"
WIRE SUPPORT
BRACKET



WIRE RETAINERS



CABLE TROUGHS
AND EXTENSIONS



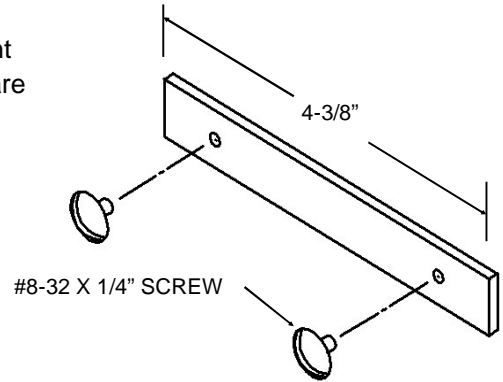
HORIZONTAL WIRE MANAGEMENT PANELS

WIRE AND CABLE MANAGEMENT

Cable Tie Bar Kit

Tie bars are used in the duct of unequal flange and network equipment racks to tie off cable. Bars are manufactured from 11 gage steel and are plated yellow zinc dichromate. Sold individually or in kits to fit 7', 9' or 11'-6" equipment racks.

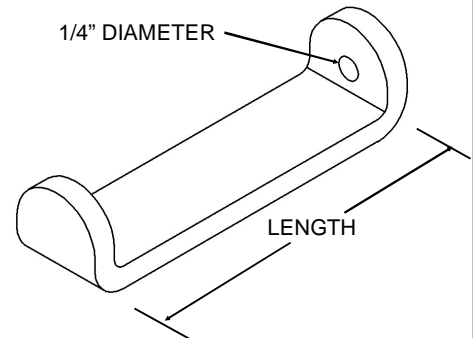
| CABLE TIE BAR KITS | | |
|---------------------------|-----------------|----------|
| DESCRIPTION | PLATES INCLUDED | PART # |
| INDIVIDUAL PLATE KIT | 1 | 56000002 |
| PLATE KIT FOR 7' RACK | 14 | CC010183 |
| PLATE KIT FOR 9' RACK | 18 | CC010185 |
| PLATE KIT FOR 11'-6" RACK | 22 | CC010187 |



Cable Standoff Brackets

These brackets can be used along the flange of an equipment rack to organize and route cable neatly. Manufactured from 3/16" x 3/4" steel bar, these brackets are finished in telco gray powder coat. Brackets have one mounting hole and are sold individually. Mounting screws sold separately.

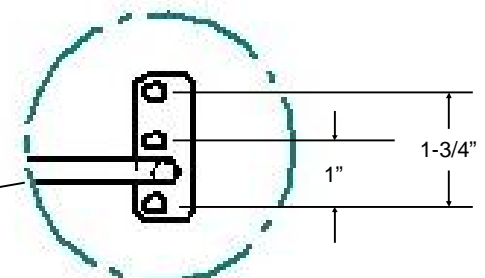
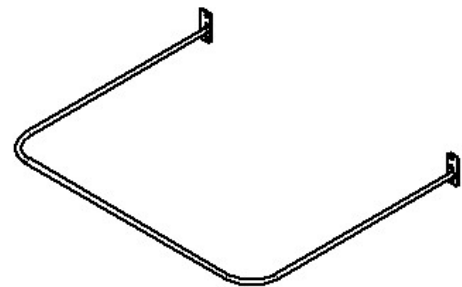
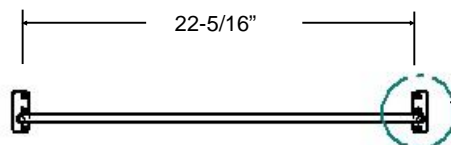
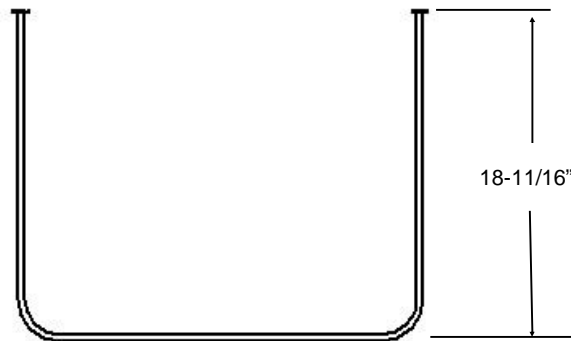
| STANDOFF BRACKETS | |
|-------------------|----------|
| LENGTH | PART # |
| 2" | 56000006 |
| 3" | CC103231 |
| 4" | CC103232 |
| 5" | CC103233 |
| 6" | CC103193 |
| 7" | CC103234 |
| 8" | CC103235 |
| 9" | CC103236 |
| 10" | CC103237 |



SEE PAGE 9 FOR AVAILABLE
COLOR OPTIONS

Wire Hanger Bracket "Towel Bar"

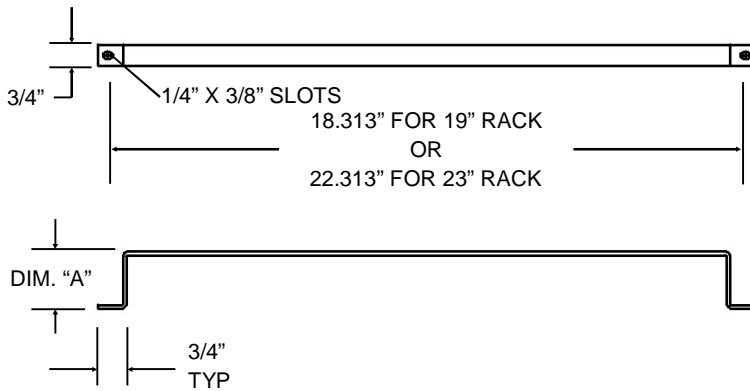
Heavy duty wire hanger bracket formed from 3/8" diameter steel bar. Mounting flanges are fabricated from 11 gage steel. Welded construction. Finish is telco gray powder coat. Mounting screws sold included. **Order CCWH2318-G**



WIRE AND CABLE MANAGEMENT

Wire Support Brackets (Bar Type)

Wire support brackets are used on equipment racks to stand wire off the back or front of the rack. Manufactured from 1/8" x 3/4" steel bar. Finish is telco gray powder coat. Custom colors available upon request. Sold individually.



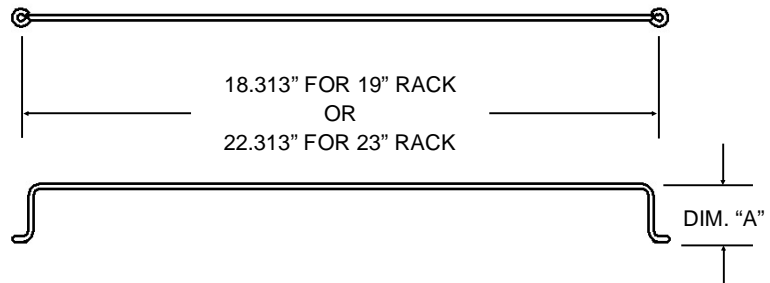
| WIRE SUPPORT BRACKETS | | |
|-----------------------|-------------|-------------|
| DIM. "A" | FOR 19" | FOR 23" |
| 0" (FLAT) | 56500083-19 | 56500083 |
| 1" | CC010236 | CC010236-23 |
| 2" | CC010119 | 56500082 |
| 3" | CC010237 | CC103305 |
| 4" | CC010326 | 56500051 |
| 5" | CC010371-19 | CC010371 |
| 6" | CC010238 | CC010238-23 |
| 7" | CC010367-19 | CC010367 |
| 8" | CC103304-19 | CC103304 |
| 9" | CC010239 | CC010239-23 |
| 10" | CC010341-19 | CC010341 |

SEE PAGE 9 FOR AVAILABLE COLOR OPTIONS

Wire Support Brackets (Wire Type)

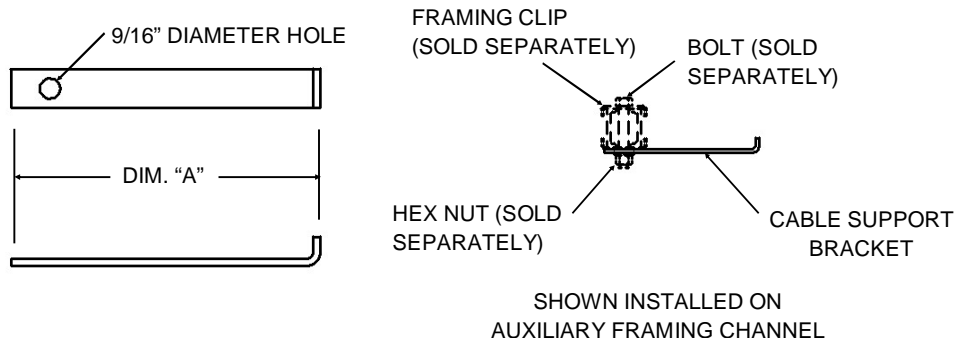
Wire support brackets are used on equipment racks to stand wire off the back or front of the rack. Manufactured from 3/16" diameter stainless steel rod. Standard finish is brushed stainless. These brackets can be powder coated upon request, specify color when ordering. Sold individually.

| WIRE SUPPORT BRACKETS | | |
|-----------------------|--------------|--------------|
| DIM. "A" | FOR 19" RACK | FOR 23" RACK |
| 0" (FLAT) | CC010358-19 | CC010358 |
| 2" | CC010026-19 | CC010026 |
| 4" | CC010261-19 | CC010261 |



Cable Support Brackets (From Auxiliary Framing)

These cable support brackets mount to auxiliary framing and support cable when clamped to framing via a pair of framing clips and hardware. Bracket is manufactured from 1/4" x 1" steel bar. Finish is telco gray powder coat. Order hardware separately.



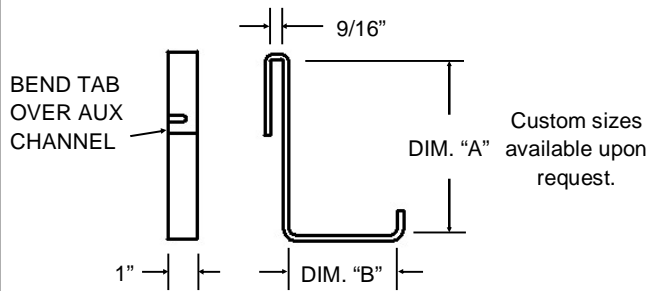
| CABLE SUPPORT BRACKET | |
|-----------------------|----------|
| DIM. "A" | PART # |
| 6-1/2" | 56500021 |
| 7-1/2" | CC103106 |
| 8-7/8" | 56500015 |

Custom sizes available upon request.

WIRE AND CABLE MANAGEMENT

Power/Armored Cable Support Brackets (From Auxiliary Framing - LH)

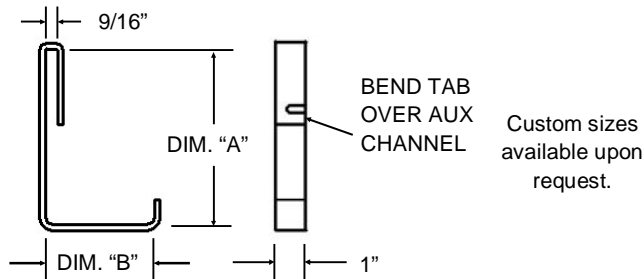
These brackets support cable along a line of 2" x 9/16" x 3/16" auxiliary framing channel. Brackets are formed from 3/16" x 1" steel bar and are finished in telco gray powder coat. These brackets feature a bendable tab for quick and simple installation. Simply squeeze the tab with a pair of pliers and the bracket is secured. Sold individually.



| CABLE SUPPORT BRACKETS (LH) | | | | | |
|-----------------------------|--------|----------|--------|--------|----------|
| DIM. A | DIM. B | PART # | DIM. A | DIM. B | PART # |
| 3" | 4" | CCFPBL34 | 5" | 5" | CCFPBL55 |
| 4" | 3" | CCFPBL43 | 6" | 4" | CCFPBL64 |
| 4-1/2" | 3-3/8" | CC103194 | 6" | 5" | CCFPBL65 |
| 4" | 4" | CCFPBL44 | 7" | 4" | CCFPBL34 |
| 4" | 5" | CCFPBL45 | 7" | 5" | 56190032 |
| 5" | 4" | CCFPBL54 | 7" | 6" | CCFPBL34 |

Power/Armored Cable Support Brackets (From Auxiliary Framing - RH)

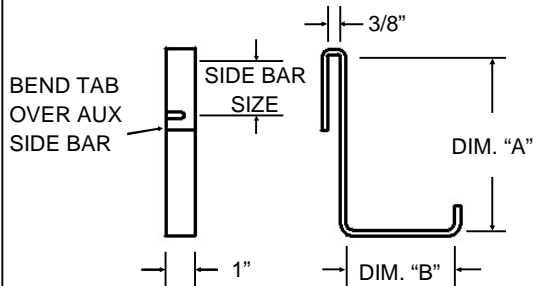
These brackets support cable along a line of 2" x 9/16" x 3/16" auxiliary framing channel. Brackets are formed from 3/16" x 1" steel bar and are finished in telco gray powder coat. These brackets feature a bendable tab for quick and simple installation. Simply squeeze the tab with a pair of pliers and the bracket is secured. Sold individually.



| CABLE SUPPORT BRACKETS (RH) | | | | | |
|-----------------------------|--------|----------|--------|--------|----------|
| DIM. A | DIM. B | PART # | DIM. A | DIM. B | PART # |
| 4" | 3" | CCFPBR43 | 6" | 4" | CCFPBR64 |
| 4" | 4" | CCFPBR44 | 6" | 5" | CCFPBR65 |
| 4" | 5" | CCFPBR45 | 7" | 4" | CCFPBR34 |
| 4-1/2" | 3-3/8" | CC103165 | 7" | 5" | 56190026 |
| 5" | 4" | CCFPBR54 | 7" | 6" | CCFPBR34 |
| 5" | 5" | CCFPBR55 | | | |

Power/Armored Cable Support Brackets (From Cable Rack - LH)

These brackets support cable along cable rack. Brackets are manufactured from 3/16" x 1" steel bar and are finished in telco gray powder coat. These brackets feature a bendable tab for quick and simple installation. Simply squeeze the tab with a pair of pliers and the bracket is secured. Sold individually.

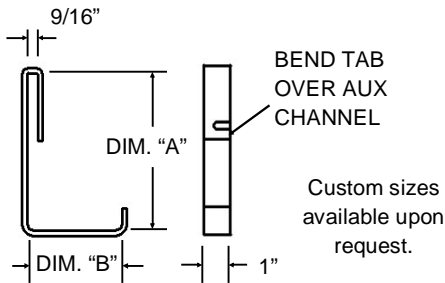


| CABLE SUPPORT BRACKETS (LH) | | | | | | | |
|-----------------------------|--------|-----------------|-------------|--------|--------|-----------------|-------------|
| DIM. A | DIM. B | 1-1/2" SIDE BAR | 2" SIDE BAR | DIM. A | DIM. B | 1-1/2" SIDE BAR | 2" SIDE BAR |
| 3" | 4" | CC1CBL34 | CC2CBL34 | 5" | 4" | CC1CBL54 | CC2CBL54 |
| 4" | 3" | CC1CBL43 | CC2CBL43 | 5" | 5" | CC1CBL55 | 56500111 |
| 4" | 4" | CC1CBL44 | CC2CBL44 | 6" | 4" | CC1CBL64 | CC2CBL64 |
| 4" | 5" | CC1CBL45 | CC2CBL45 | 6" | 5" | CC1CBL65 | CC2CBL65 |
| 4-5/16" | 4 | CC103222 | N/A | 7" | 4" | CC1CBL74 | CC2CBL74 |
| 4" | 5-5/8" | N/A | CC103049 | 7" | 5" | CC1CBL75 | CC103036 |
| 4-1/2" | 5" | 56500109 | CC103104 | 7" | 6" | CC1CBL76 | CC2CBL76 |

WIRE AND CABLE MANAGEMENT

Power/Armored Cable Support Brackets (From Cable Rack - RH)

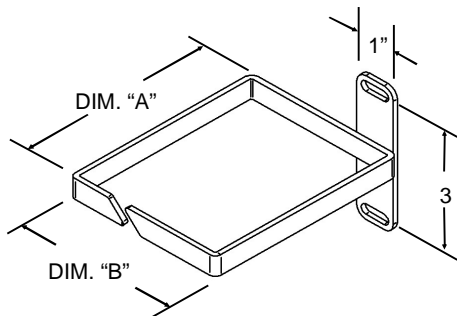
These brackets support cable along cable rack. Brackets are formed from 3/16" x 1" steel bar and are finished in telco gray powder coat. These brackets feature a bendable tab for quick and simple installation. Simply squeeze the tab with a pair of pliers and the bracket is secured. Sold individually.



| CABLE SUPPORT BRACKETS (RH) | | | | | | | |
|-----------------------------|--------|-----------------|-------------|--------|--------|-----------------|-------------|
| DIM. A | DIM. B | 1-1/2" SIDE BAR | 2" SIDE BAR | DIM. A | DIM. B | 1-1/2" SIDE BAR | 2" SIDE BAR |
| 4" | 3" | CC1CBR43 | N/A | 5-3/4" | 2-7/8" | N/A | CC103034 |
| 4" | 4" | CC1CBR44 | CC2CBR44 | 6" | 4" | CC1CBR64 | CC2CBR64 |
| 4" | 5" | CC1CBR45 | CC2CBR45 | 6" | 5" | CC1CBR65 | CC2CBR65 |
| 4-1/2" | 5" | 56500108 | N/A | 6-3/4" | 5-3/8" | CC103248 | N/A |
| 4-5/8" | 3-3/8" | | CC103035 | 7" | 4" | CC1CBR74 | CC2CBR74 |
| 5" | 4" | CC1CBR54 | CC2CBR54 | 7" | 5" | CC1CBR75 | CC103033 |
| 5" | 5" | CC1CBR55 | 56500110 | 7" | 6" | CC1CBR76 | CC2CBR76 |
| 5-3/4" | 2-1/4" | N/A | 56500085 | | | | |

Vertical Wire Retainer

Vertical wire retainers secure to the mounting rail of equipment racks and are used to retain jumper wires in an organized manner. Formed from 1/8" x 1/8" steel bar, these brackets feature a powder coated finish. Retainers include (2) #12-24 x 3/8" mounting screws. Specify color when ordering.



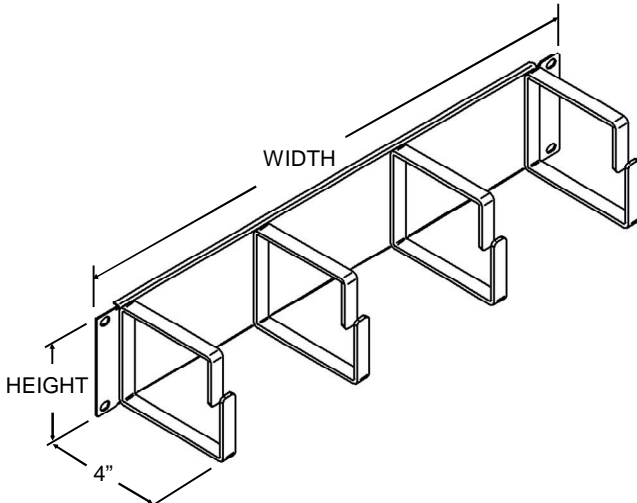
Custom sizes available upon request.

See page 9 for color selection.

| VERTICAL WIRE RETAINER | | |
|------------------------|----------|----------|
| DIM. "A" | DIM. "B" | PART# |
| 4" | 4" | CCVR0404 |
| 4" | 5" | CC010001 |
| 4" | 6" | CCVR0406 |
| 5" | 4" | CCVR0504 |
| 5" | 5" | CCVR0505 |
| 5" | 6" | CCVR0506 |

Horizontal Wire Manager

These wire managers are available to fit 19" and 23" equipment racks and are available in 1RU or 2RU sizes. Panel is formed from 18 gage Cold rolled steel and wire rings are fabricated from 1/8" x 1/2" steel bar. Mounting hardware sold separately. Durable polyester powder coat finish. Specify color when ordering.



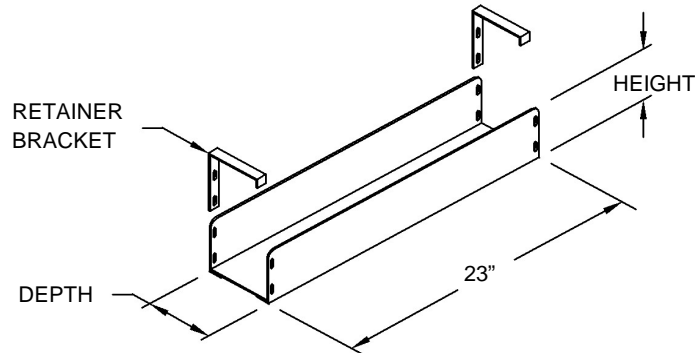
| HORIZONTAL WIRE MANAGER | | |
|-------------------------|-----------|-----------|
| HEIGHT | 19" WIDTH | 23" WIDTH |
| 1RU | CCMW1419 | CCMW1423 |
| 2RU | CCMW2419 | CCMW2423 |

Custom sizes available upon request.

WIRE AND CABLE MANAGEMENT

Lower Cable Troughs and Extenders

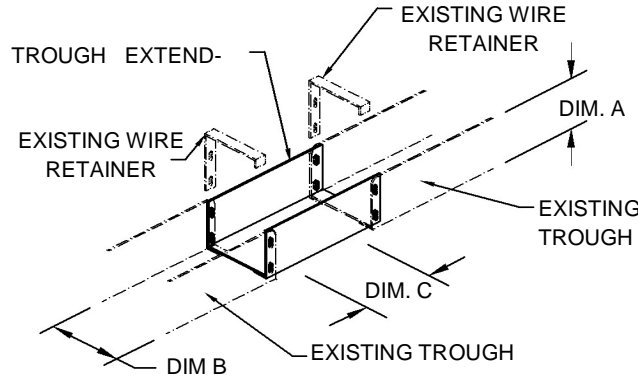
These troughs organize wire and cable on 23" UEF and Network bays. Troughs are fabricated from 14 gage steel and include mounting hardware and retainer brackets. Mounting slots for EIA wide (1-3/4") and WECO (2") hole spacing. Troughs are custom fabricated to order. Please contact us with height and depth and color for details.



SEE PAGE 9 FOR AVAILABLE COLOR OPTIONS

Cable Trough Extenders

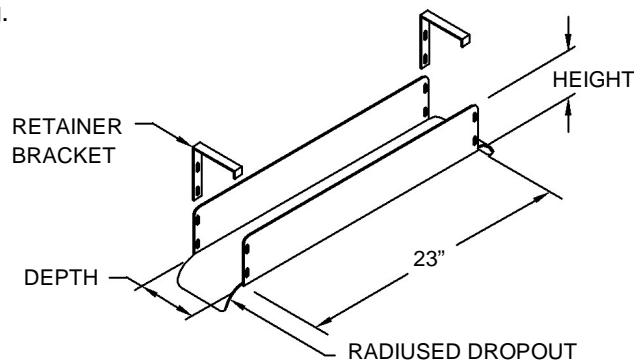
Cable trough extenders bridge the distance between troughs mounted to equipment racks. Extenders utilize existing hardware and retainer brackets from cable troughs. Extenders are fabricated from 14 gage steel and feature a powder coated finish. Trough extenders are custom built to order. Contact us with height, depth and distance between bays for details. Specify color when ordering.



SEE PAGE 9 FOR AVAILABLE COLOR OPTIONS

Upper Cable Trough Assemblies

These troughs organize wire and cable on 23" UEF and Network equipment racks. Radiused drop-outs at each end provide a smooth cable transition from horizontal to vertical direction. Troughs include mounting hardware and wire retainer brackets. Mounting holes will accommodate EIA wide (1-3/4") and WECO (2") hole spacing. Upper cable trough assemblies are custom built to order. Please contact us with depth and height for details. Specify color when ordering.



SEE PAGE 9 FOR AVAILABLE COLOR OPTIONS

WIRE AND CABLE MANAGEMENT

Scrap Wire Bags

When installing electrical components in lineups, small pieces of scrap are produced while trimming wires to length. Rather than allow the wire to simply fall on the floor, or worse yet, into an electronic enclosure, these handy scrap wire bags provide a convenient and effective method of containing the bits and pieces for collection. These bags are packaged complete with a handy metal frame which allows for securing to a ladder. These bright orange bags are available with telco gray or safety yellow frame. Frames and bags are also available separately.



BAG WITH FRAME

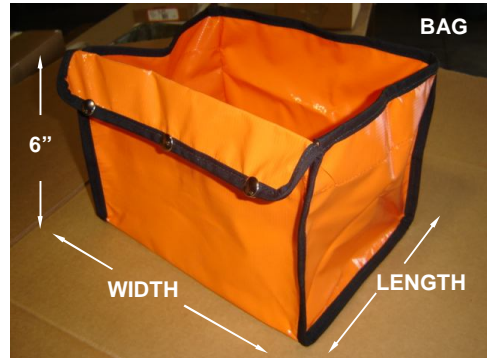
SCRAP WIRE BAG WITH FRAME

| LENGTH | WIDTH | DEPTH | FRAME COLOR | PART # |
|--------|-------|-------|-------------|------------|
| 8" | 10" | 6" | GRAY | CCWB0810-G |
| 8" | 10" | 6" | YELLOW | CCWB0810-Y |

Scrap Wire Bins

These handy bins allow for collection and containment of large quantities of scrap wire for the purpose of maintaining a clean and safe work environment and also to facilitate easy pickup of scrap for recycling purposes. Bins feature a fully welded outer shell with a removable feed insert which will accommodate commonly available scrap wire recycling bags. These bins are shipped with 3" diameter casters to be installed by the customer. Color options are telco gray or safety yellow powder coat.

- All steel construction
- Hinged top with fusible link safety feature 165°F rating.
- Hinged door with spring loaded latch
- Dimensions: 16"W X 16"D X 42"H (with casters installed and top closed)



BAG

WIDTH

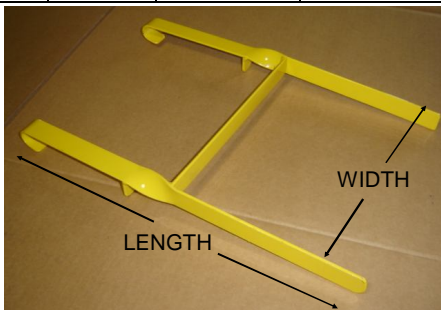
LENGTH

SCRAP WIRE BAG ONLY

| LENGTH | WIDTH | DEPTH | COLOR | PART # |
|--------|-------|-------|--------|------------|
| 8" | 10" | 6" | ORANGE | CCWB0810-2 |

SCRAP WIRE FRAME ONLY

| LENGTH | WIDTH | FRAME COLOR | PART# |
|--------|-------|-------------|--------------|
| 8" | 10" | GRAY | CCWB0810-1-G |
| 8" | 10" | YELLOW | CCWB0810-1-Y |



LENGTH

WIDTH

SCRAP WIRE BIN

| WIDTH | DEPTH | HEIGHT | COLOR | PART# |
|-------|-------|--------|------------|------------|
| 16" | 16" | 42" | TELCO GRAY | CCWB3800-G |
| 16" | 16" | 42" | YELLOW | CCWB3800-Y |

