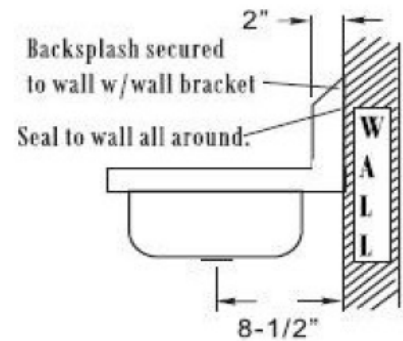
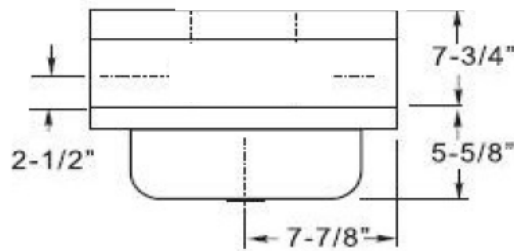
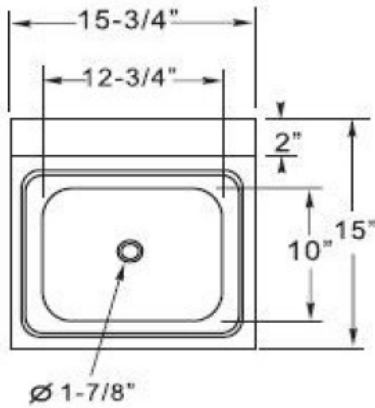
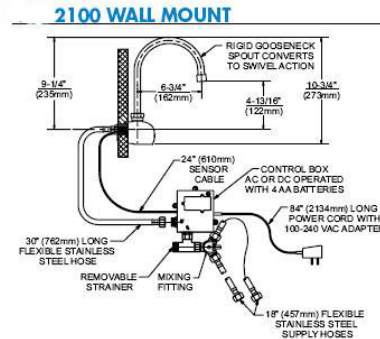


# WICKETTS STAINLESS

Stainless Steel Hand Sink

WHS 1615-W-SF-SSG

## SPECIFICATION



Product #	Description
WHS 1615-W-SF-SSG	Hand Sink With Sensor Operated Faucet; Side Splashes

**Wicketts Stainless, LLC.**  
 2618 San Miguel Dr. Bldg. # 376  
 Newport Beach, CA 92660  
 Tel: 951-858-2548  
 Fax: 951-638-9059  
 sales@wickettsstainless.com  
 www.wickettsstainless.com



Approved for Manufacturing  
 Company: \_\_\_\_\_  
 Signature: \_\_\_\_\_  
 Print: \_\_\_\_\_ Date: \_\_\_/\_\_\_/\_\_\_