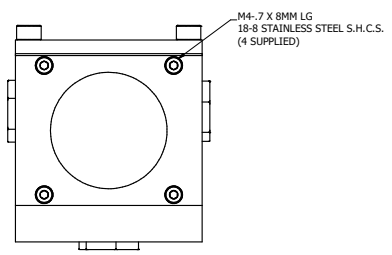
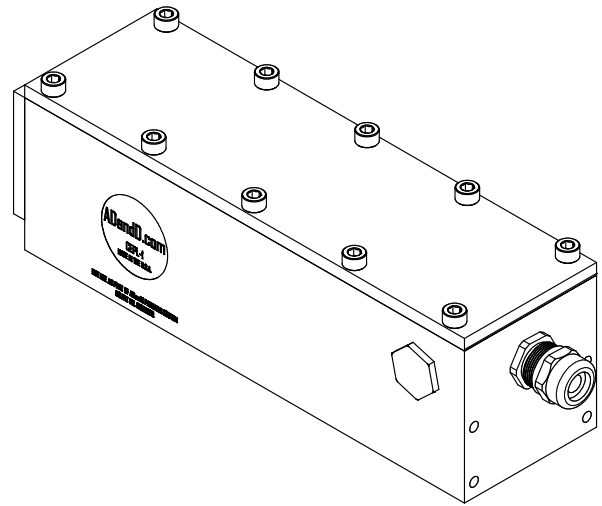
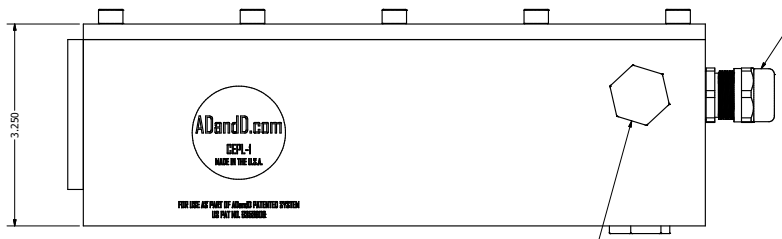


M6-1 X 16MM LG
18-8 STAINLESS STEEL S.H.C.S.
(10 SUPPLIED)



M4-.7 X 8MM LG
18-8 STAINLESS STEEL S.H.C.S.
(4 SUPPLIED)



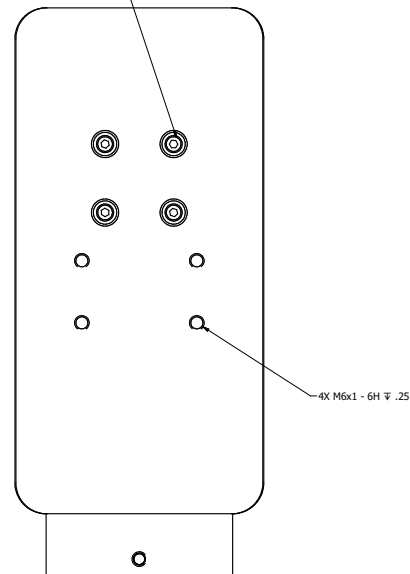
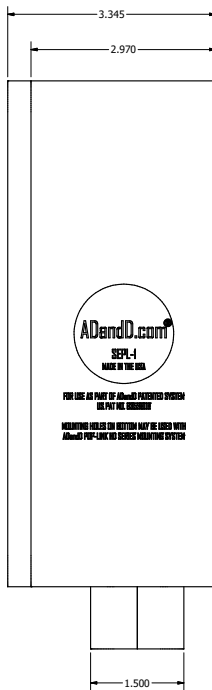
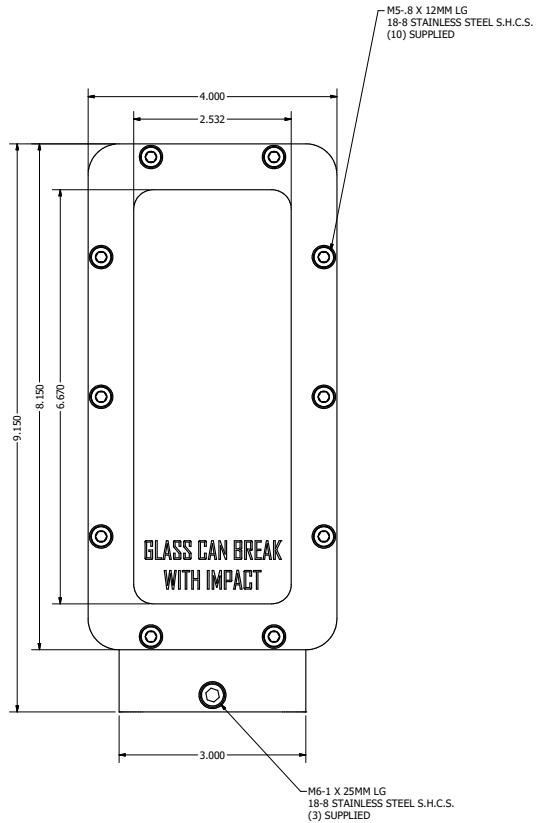
BLANKING PLUG
(3 SUPPLIED)
TO BE INSTALLED BY CUSTOMER
TO BE INSTALLED IN REMAINING 3 HOLE LOCATIONS


CABLE GLAND
(1 SUPPLIED)
TO BE INSTALLED BY CUSTOMER
MAY BE INSTALLED IN ANY OF THE FOUR HOLE LOCATIONS

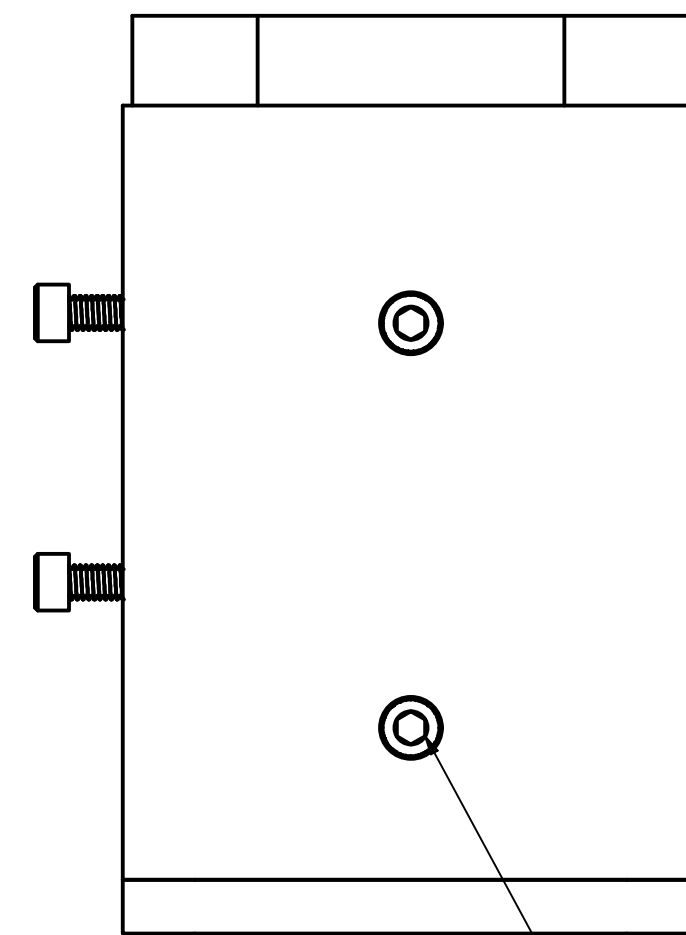
WHEN ASSEMBLED PER THE DIRECTIONS ON THE ADandD.com VIDEO
"CAMERA ENCLOSURE WATERPROOFING CABLE GLAND FITTING"
THE CAMERA ENCLOSURE HAS AN IP68 RATING.

MATERIAL:	
BREAK ALL SHARP CORNERS MARK DETAILS WITH PART No. UNLESS OTHERWISE SPECIFIED	
STANDARD TOLERANCE UNLESS OTHERWISE SPECIFIED	
2 PLACE DEC.	± .03
3 PLACE DEC.	± .005
4 PLACE DEC.	± .0005
ANGLES	± 1'

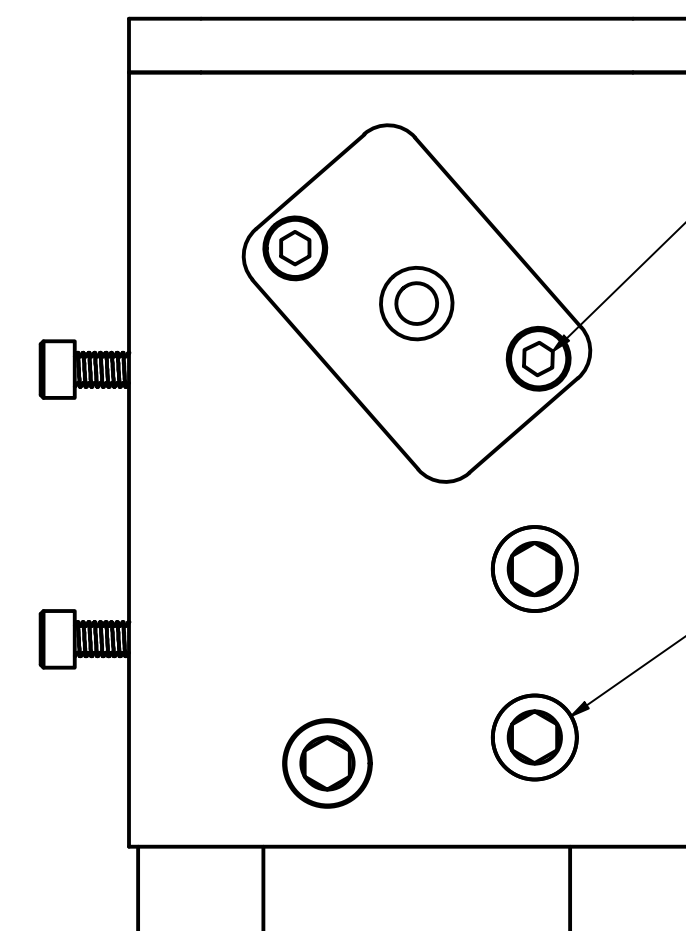
A		RELEASED FOR PRODUCTION		10/10/17	DB	SR
REV	DESCRIPTION	DATE	DWN	CHK		
REVISIONS						
DESCRIPTION						
AD&D SPHERICAL PRODUCTS CAMERA ENCLOSURE						
SCALE: NONE		DRAWN DBIDDINGER		DATE	09/17/17	
SHEET SIZE		CHECKED		SR	DATE	
No. OF SHEETS		APPROVED		SR	DATE	
SHEET No. XX		PART No.		CEPL-1		



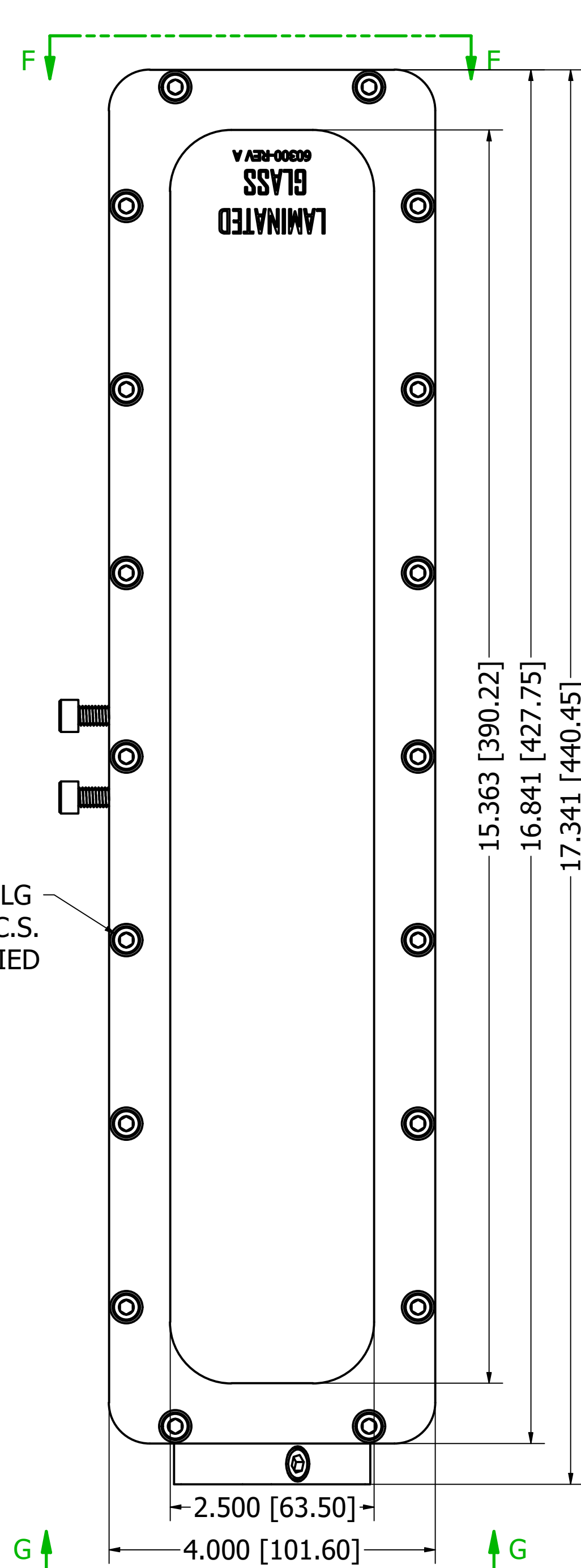
A	RELEASED FOR PRODUCTION	06/04/19	DB	SR
REV	DESCRIPTION	DATE	OWN	CHK
REVISIONS				
				
DESCRIPTION AD&D SPHERICAL PRODUCTS SCANNER ENCLOSURE				
PURCHASED MATERIAL SIZE:		SCALE: NONE DRAWN DB BIDDINGER DATE 06/04/19 SHEET SIZE D CHECKED SR DATE APPROVED SR DATE No. OF SHEETS PART No. SEPL-1 SHEET No. XX		
BREAK ALL SHARP CORNERS MARK DETAILS WITH PART No. UNLESS OTHERWISE SPECIFIED STANDARD TOLERANCE UNLESS OTHERWISE SPECIFIED 2 PLACE DEC. \pm .03 3 PLACE DEC. \pm .005 4 PLACE DEC. \pm .0005 ANGLES \pm 1'				



VIEW F-F
SCALE 3/4
M6-1 X 20MM LG
18-8 STAINLESS STEEL
SEALING S.H.C.S.
(2) SUPPLIED



VIEW G-G
SCALE 3/4
M6-1 X 12MM LG
18-8 STAINLESS STEEL
SEALING S.H.C.S.
(2) SUPPLIED
3/8-18 NPT PLUGS
347 STAINLESS STEEL
(3) SUPPLIED



M6-1 X 25MM LG
18-8 STAINLESS STEEL S.H.C.S.
(1) SUPPLIED

PATENT PENDING	
BREAK ALL SHARP EDGES AND REMOVE ALL BURRS UNLESS OTHERWISE SPECIFIED	
MARK DETAILS WITH P/N, MATERIAL & HEAT TREAT SPEC UNLESS OTHERWISE SPECIFIED	
ALL WEIGHTS ARE ESTIMATED AND SHOULD NOT BE USED IN LOADING CALCULATIONS	
STANDARD TOLERANCE UNLESS OTHERWISE SPECIFIED	GEOMETRIC CHARACTERISTIC SYMBOLS PER ASME Y14.5M - 1994
2 PLACE DEC. \pm .030	FLATNESS
3 PLACE DEC. \pm .005	STRAIGHTNESS
4 PLACE DEC. \pm .0005	CIRCULARITY
ANGLES \pm 1°	CYLINDRICITY
THIRD ANGLE PROJECTION	PROFILE OF A SURFACE
	PERPENDICULARITY
	PARALLELISM
	ANGULARITY
	CIRC RUNOUT
	TOTAL RUNOUT
	POSITION
	CONCENTRICITY
	DIAMETER
	AT MAX MATL. CONDITION
	REGARDLESS OF FEATURE SIZE
	AT LEAST MATL. CONDITION
	DATUM FEATURE

A	RELEASED TO PRODUCTION	3/6/2020	NCarlson
ZONE	REV	DESCRIPTION	DATE
REVISIONS			
Pop-Link Mounting Systems			
SEPL-6 ENCLOSURE			
MATERIAL:		DESIGNED BY: NCarlson	
FINISH:		DRAWN BY: NCarlson	
WT.(LBS): N/A		DRAWN DATE: 2/15/2024	
SHEET. SIZE: D		SCALE: 3/4	
DETAIL NO. SEPL-6			REV. A