

APPLICATION

A slide gate is used to automate the control of air-flow in dust control systems. As an alternative to the traditional blast gate, that loses pressure, a PVS automatic slide gate is applied to direct air-flow from one intermittent use pick-up point to another.

In the closed position, an automatic slide gate shuts off air-flow to lines that are not in use. This prevents the loss of pressure in the system, keeping vacuum suction at its strongest where it's needed. With air-flow provided only when required, reduces power consumption, maximizing your systems efficiency.

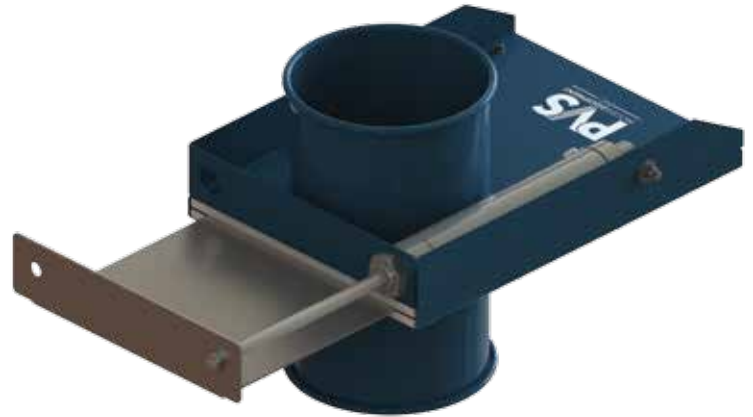
The PVS automatic slide gate is designed to extract the maximum amount of dust or debris from a point in your system. They can be used with a variety of dry materials and applications, operating either manually or pneumatically. In dry applications, they are appropriate for low pressure systems that can accept a loss of pressure.

STANDARD SPECIFICATIONS

- Sizes range from 2" - 16"
- Tube stub ends
 - Flanged, Duct, Clamped and Sanitary
- Pneumatically activated with magnet
- Stainless Steel Slide Plate
- Replaceable wear strips
- Powder coated finish
- Pressure rated to 8" HG.

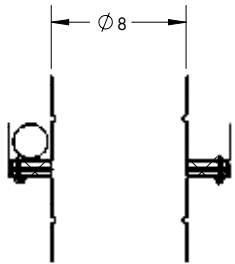
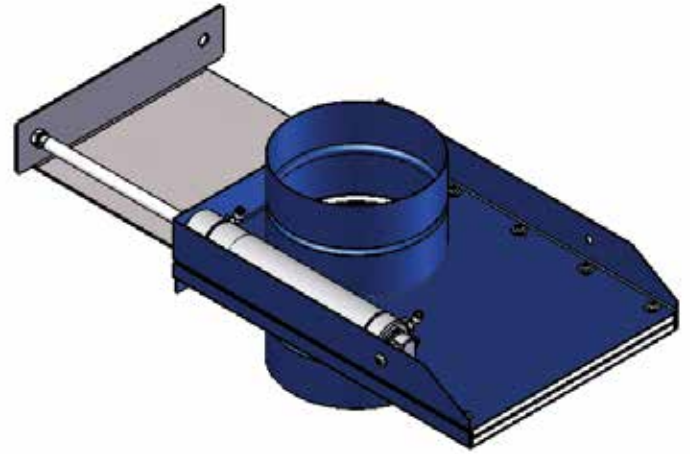
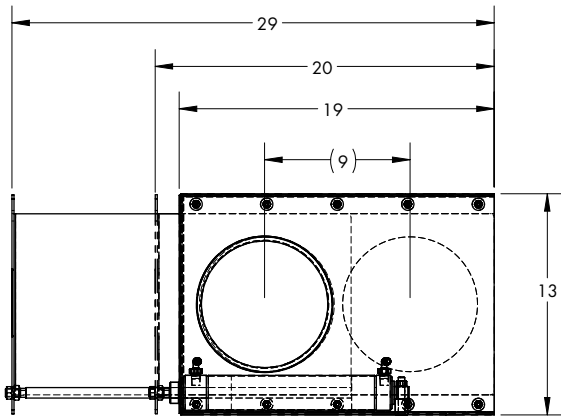
OPTIONS

- Stainless Steel Construction
- Food Grade Material
- Limit Switches
- Sanitary Inlet/Outlet
- Limit Switch
- Control Station
- Flanged
- Clamped
- Easy Duct
- Spiral Duct
- Manual Controls

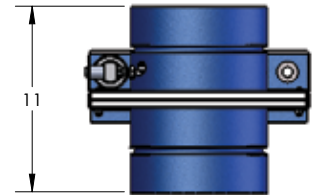
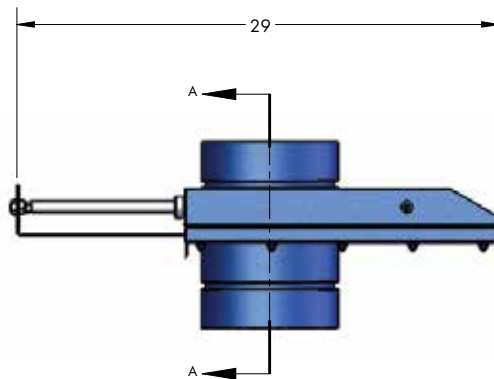


DIMENSIONS OF THE 904-80-1000 AUTOMATIC SLIDE GATE

Dimensions shown are for 8" Slide Gate with Spiral Duct Inlet/Outlet



SECTION A-A



UTILITY REQUIREMENTS:

1/4" NPT Compressed air connection 1-2 CFM per actuation.



**Dimensions subject to change without notice.*

CUSTOMER DRIVEN SOLUTIONS.

PVS Process Equipment | 2600 Hamburg Turnpike Suite A | Buffalo, NY 14218
p. 716-646-0181 | f. 716-646-0157

CALL PVS TODAY
855.244.9533

Drawing data is for general reference ONLY. Certified drawings for your application available upon request.