

LP-20 Datasheet

LP-20

LP20 Power/Signal	Product Series		LP-20						LP-20												
	Pin Number		2PIN		3PIN		4PIN		5PIN		7PIN		8PIN		9PIN		12PIN		14PIN		
	Contact Layout																				
	Current Rating(A)		20		20		20		10		10/5		10		20/5		5		5		
	Voltage Rating(V)		500		500		500		500		300		500		250		250		250		
	Cable O.D(mm)		φ5.0~φ6.5		φ6.5~φ8.5		φ8.5~φ10.0		φ10.0~φ12.0		φ5.0~φ6.5		φ6.5~φ8.5		φ8.5~φ10.0		φ10.0~φ12.0				
	Wire Gauge		2.5-4.0mm ² /14-12AWG		2.5-4.0mm ² /14-12AWG		2.5-4.0mm ² /14-12AWG		1.0-1.5mm ² / 18-16AWG		1.0-1.5mm ² / 18-16AWG 0.34-0.5mm ² /22-20AWG		1.0-1.5mm ² / 18-16AWG		2.5-4.0mm ² /14-12AWG 0.34-0.5mm ² /22-20AWG		0.34-0.5mm ² /22-20AWG		0.34-0.5mm ² /22-20AWG		
	Protection Level		Connection Status IP68						Connection Status IP68												
	Terminal Type		Soldering/Screwing		Soldering/Screwing		Soldering		Soldering		Soldering		Soldering		Soldering		Soldering		Soldering		
Illustration	Material	Part No										Part No									
	Metal + Plastic	Male	LP-20-C02PE-01-001A	LP-20-C03PE-01-001A	LP-20-C04PE-01-001A	LP-20-C05PE-01-001A		LP-20-C05PE-01-051A	LP-20-C07PE-01-001A	LP-20-C08PE-01-051	LP-20-C09PE-01-001A	LP-20-C12PE-01-001A	LP-20-C14PE-01-001A								
		Female	LP-20-J02PE-01-002A	LP-20-J03PE-01-003A	LP-20-J04PE-01-002A	LP-20-J05PE-01-002A		LP-20-J05PE-01-0XXA	LP-20-J07PE-01-002A	LP-20-J08PE-01-051A	LP-20-J09PE-01-002A	LP-20-J12PE-01-002A	LP-20-J14PE-01-001A								
	Metal	Male	LP-20-C02PE-03-001A	LP-20-C03PE-03-001A	LP-20-C04PE-03-001A	LP-20-C05PE-03-001A		LP-20-C05PE-03-0XXA	LP-20-C07PE-03-001A	LP-20-C08PE-03-001A	LP-20-C09PE-03-001A	LP-20-C12PE-03-001A	LP-20-C14PE-03-001A								
		Female	LP-20-J02PE-03-001A	LP-20-J03PE-03-001A	LP-20-J04PE-03-001A	LP-20-J05PE-03-001A		LP-20-J05PE-03-0XXA	LP-20-J07PE-03-001A	LP-20-J08PE-03-001A	LP-20-J09PE-03-001A	LP-20-J12PE-03-001A	LP-20-J14PE-03-001A								
	Metal	Male	LP-20-C02SX-03-101A	LP-20-C03SX-03-101A	LP-20-C04SX-03-101A	LP-20-C05SX-03-101A		LP-20-C05SX-03-151A	LP-20-C07SX-03-101A	LP-20-C08SX-03-151	LP-20-C09SX-03-101A	LP-20-C12SX-03-101A	LP-20-C14SX-03-101A								
		Female	LP-20-J02SX-03-101A	LP-20-J03SX-03-101A	LP-20-J04SX-03-101A	LP-20-J05SX-03-101A		LP-20-J05SX-03-151A	LP-20-J07SX-03-101A	LP-20-J08SX-03-151	LP-20-J09SX-03-101A	LP-20-J12SX-03-101A	LP-20-J14SX-03-101A								
	Metal	Male	LP-20-C02SX-03-201A	LP-20-C03SX-03-201A	LP-20-C04SX-03-201A	LP-20-C05SX-03-201A		LP-20-C05SX-03-2XXA	LP-20-C07SX-03-201A	LP-20-C08SX-03-251	LP-20-C09SX-03-201A	LP-20-C12SX-03-201A	LP-20-C14SX-03-201A								
		Female	LP-20-J02SX-03-201A	LP-20-J03SX-03-201A	LP-20-J04SX-03-201A	LP-20-J05SX-03-201A		LP-20-J05SX-03-2XXA	LP-20-J07SX-03-201A	LP-20-J08SX-03-251	LP-20-J09SX-03-201A	LP-20-J12SX-03-201A	LP-20-J14SX-03-201A								
	Metal	Male	LP-20-C02SX-03-401A	LP-20-C03SX-03-401A	LP-20-C04SX-03-401A	LP-20-C05SX-03-401A		LP-20-C05SX-03-4XXA	LP-20-C07SX-03-401A	LP-20-C08SX-03-451A	LP-20-C09SX-03-401A	LP-20-C12SX-03-401A	LP-20-C14SX-03-401A								
		Female	LP-20-J02SX-03-401A	LP-20-J03SX-03-401A	LP-20-J04SX-03-401A	LP-20-J05SX-03-401A		LP-20-J05SX-03-451A	LP-20-J07SX-03-401A	LP-20-J08SX-03-451	LP-20-J09SX-03-401A	LP-20-J12SX-03-401A	LP-20-J14SX-03-401A								

LP-20 Datasheet

LP-20

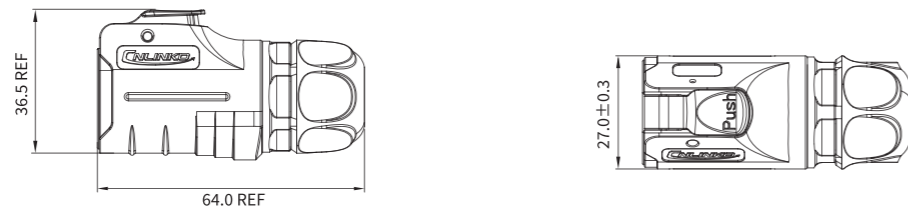
LP20 Power/Signal	Product Series		LP-20				LP-20					
	Pin Number		2PIN	3PIN	4PIN	5PIN	5PIN	7PIN	8PIN	9PIN	12PIN	14PIN
	Contact Layout											
	Current Rating(A)		20	20	20	10	10/5	10	20/5	5	5	5
	Voltage Rating(V)		500	500	500	500	300	500	250	250	250	250
	Cable O.D(mm)		φ5.0~φ6.5	φ6.5~φ8.5	φ8.5~φ10.0	φ10.0~φ12.0	φ5.0~φ6.5	φ6.5~φ8.5	φ8.5~φ10.0	φ10.0~φ12.0		
	Wire Gauge		2.5-4.0mm ² /14-12AWG	2.5-4.0mm ² /14-12AWG	2.5-4.0mm ² /14-12AWG	1.0-1.5mm ² / 18-16AWG	1.0-1.5mm ² / 18-16AWG 0.34-0.5mm ² /22-20AWG	1.0-1.5mm ² / 18-16AWG	2.5-4.0mm ² /14-12AWG 0.34-0.5mm ² /22-20AWG	0.34-0.5mm ² /22-20AWG	0.34-0.5mm ² /22-20AWG	0.34-0.5mm ² /22-20AWG
	Protection Level		Connection Status IP68				Connection Status IP68					
	Terminal Type		Soldering/Screwing	Soldering/Screwing	Soldering	Soldering	Soldering	Soldering	Soldering	Soldering	Soldering	Soldering
Illustration	Material	Part No				Part No						
	Plastic	Male	LP-20-C02PE-02-001A	LP-20-C03PE-02-001A	LP-20-C04PE-02-001A	LP-20-C05PE-02-001A	LP-20-C05PE-02-0XXA	LP-20-C07PE-02-001A	LP-20-C08PE-02-051	LP-20-C09PE-02-001A	LP-20-C12PE-02-001A	LP-20-C14PE-02-001A
		Female	LP-20-J02PE-02-001A	LP-20-J03PE-02-001A	LP-20-J04PE-02-001A	LP-20-J05PE-02-001A	LP-20-J05PE-02-0XXA	LP-20-J07PE-02-001A	LP-20-J08PE-02-051	LP-20-J09PE-02-001A	LP-20-J12PE-02-001A	LP-20-J14PE-02-001A
	Plastic	Male	LP-20-C02PP-02-001A	LP-20-C03PP-02-001A	LP-20-C04PP-02-001A	LP-20-C05PP-02-001A	LP-20-C05PE-02-0XXA	LP-20-C07PP-02-001A	LP-20-C08PP-02-001A	LP-20-C09PP-02-001A	LP-20-C12PP-02-001A	LP-20-C14PP-02-001A
		Female	LP-20-J02PP-02-001A	LP-20-J03PP-02-001A	LP-20-J04PP-02-001A	LP-20-J05PP-02-001A	LP-20-J05PE-02-0XXA	LP-20-J07PP-02-001A	LP-20-J08PP-02-001A	LP-20-J09PP-02-001A	LP-20-J12PP-02-001A	LP-20-J14PP-02-001A
	Plastic	Male	LP-20-C02SX-02-101A	LP-20-C03SX-02-101A	LP-20-C04SX-02-101A	LP-20-C05SX-02-101A	LP-20-C05SX-02-1XXA	LP-20-C07SX-02-101A	LP-20-C08SX-02-151A	LP-20-C09SX-02-101A	LP-20-C12SX-02-101A	LP-20-J12SX-02-101A
		Female	LP-20-J02SX-02-101A	LP-20-J03SX-02-101A	LP-20-J04SX-02-101A	LP-20-J05SX-02-101A	LP-20-J05SX-02-1XXA	LP-20-J07SX-02-101A	LP-20-J08SX-02-151	LP-20-J09SX-02-101A	LP-20-J12SX-02-101A	LP-20-J14SX-02-101A

LP-20 Dimension Drawing (unit: mm)

Metal Plug



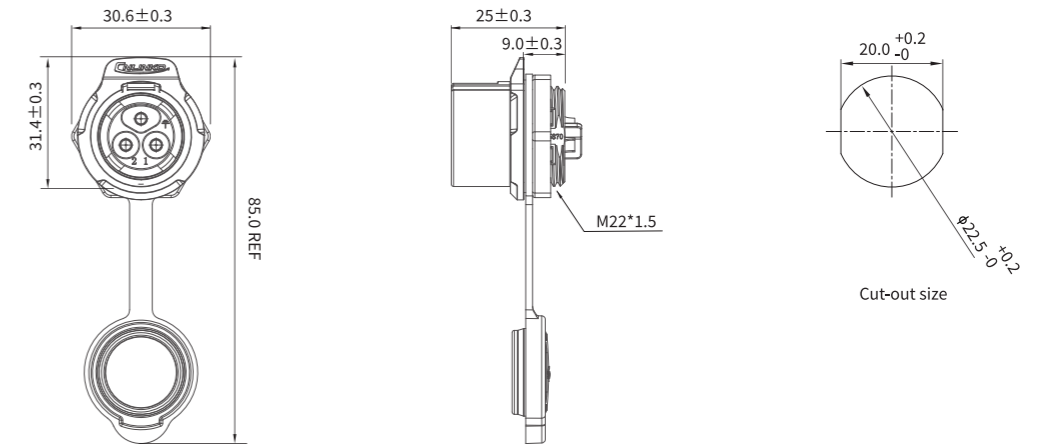
Plastic Plug



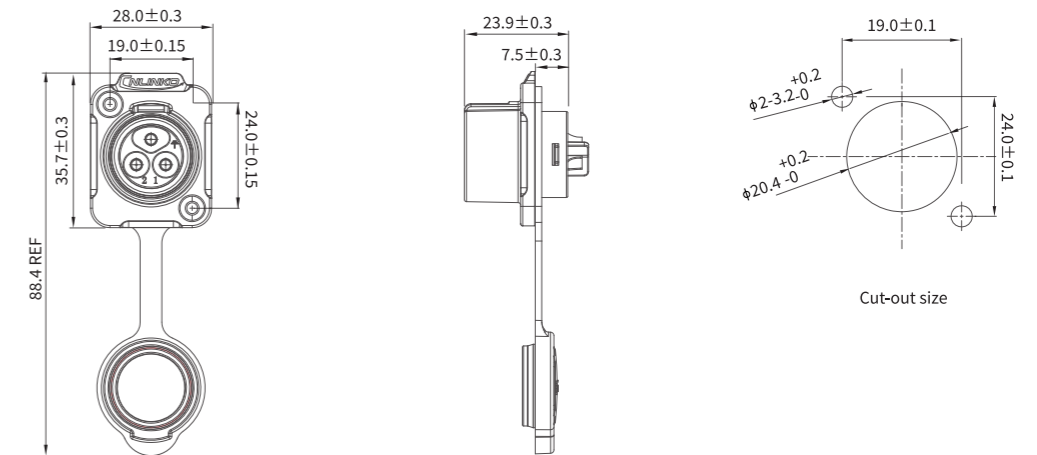
In-line receptacle



Single hole straight receptacle



Two-hole flange receptacle



Four-hole flange receptacle

