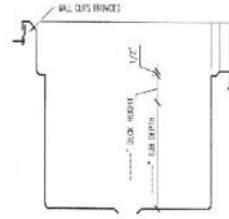


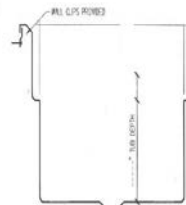
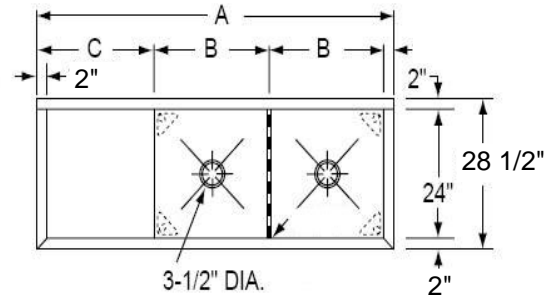
# WICKETTS STAINLESS

## SPECIFICATION

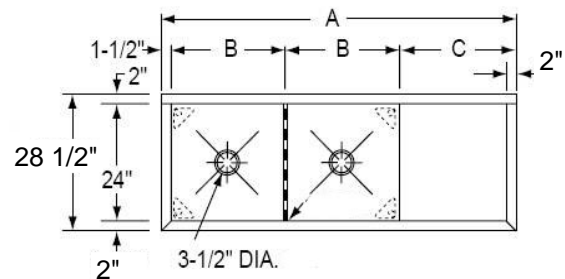
Commercial Sink Heavy Duty  
Two Compartments  
One Drain Board



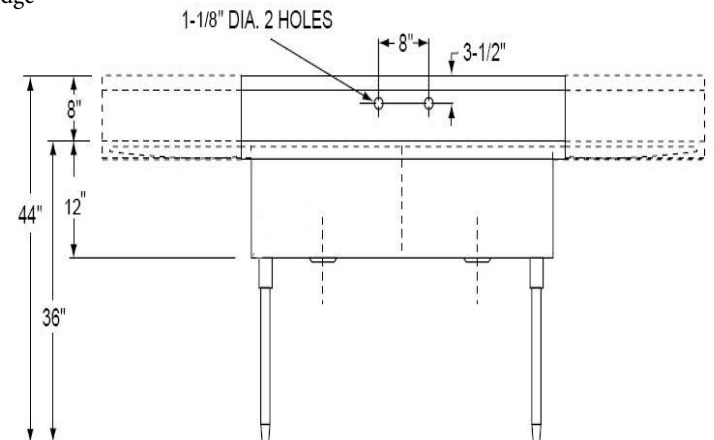
Marine Edge



Rolled Edge



Model Number	A	B	C
WCS 4218-L	57	18	18
WCS 4224-L	75	24	24
WCS 4230-L	87	30	24
WCS 4236-L	99	36	24
WCS 4218-R	57	24	24
WCS 4224-R	75	24	24
WCS 4230-R	87	30	24
WCS 4236-R	99	36	24
WCS Custom			



### Engineering Specification:

14 gauge, type 304 stainless steel scullery sink. 12" deep construction. Full length 8" high backsplash with 45° sloped top. 1-1/2" wide sloping top channel rims. Exposed surfaces polished to a satin finish. Supported on (4) stainless steel, 1-5/8" O.D. tubular legs, Adjustable bullet feet.

**Wicketts Stainless, LLC.**  
2618 San Miguel Dr. Bldg. # 376  
Newport Beach, CA 92660  
Tel: 951-858-2548  
Fax: 951-638-9059  
sales@wickettsstainless.com  
www.wickettsstainless.com



Approved for Manufacturing  
Company: \_\_\_\_\_  
Signature: \_\_\_\_\_