

WICKETTS STAINLESS

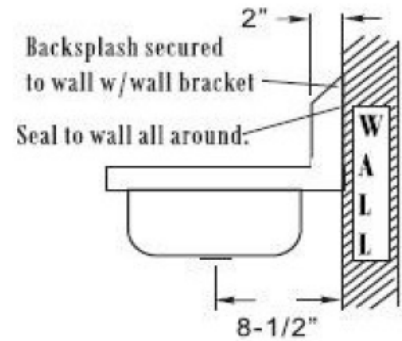
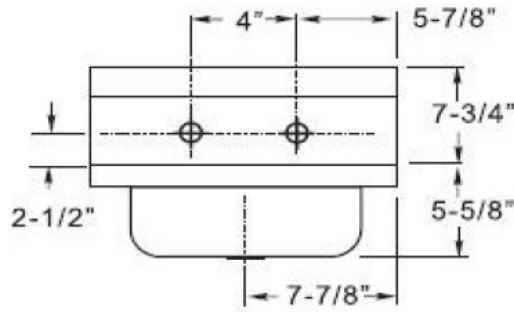
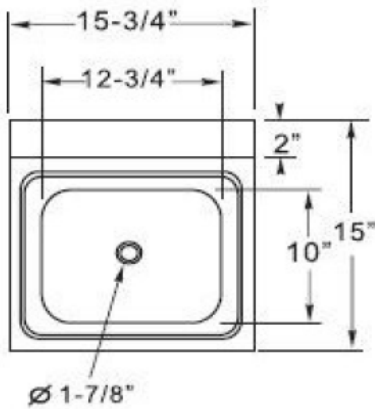
Stainless Steel Hand Sink
WHS 1615-SSG LEAD FREE

SPECIFICATION

-UT -UTILITY TRAY



SOAP TRAY



Product #	Description
WHS 1615-SSG-UT	16 x 15 Wall Mount Hand Sink With Side Splashes Lead Free Faucet; UTILITY TRAY

Wicketts Stainless, LLC
2618 San Miguel Dr. Bldg. #376
Newport Beach, CA 92660
Tel. 951-858-2548
Fax. 951-638-9059
sales@wickettsstainless.com
www.wickettsstainless.com



ENGINEERING

CITY OF LOS ANGELES

Approved for Manufacturing
Company: _____
Signature: _____
Print: _____ Date: ____/____/____